

US00D724758S

(12) **United States Design Patent**  
**Lumme, Jr. et al.**

(10) **Patent No.:** **US D724,758 S**  
(45) **Date of Patent:** **\*\* Mar. 17, 2015**

- (54) **MANHOLE LEVELING COVER**
- (71) Applicants: **William J. Lumme, Jr.**, Prescott Valley, AZ (US); **Robert A. Lumme**, Huntington Station, NY (US)
- (72) Inventors: **William J. Lumme, Jr.**, Prescott Valley, AZ (US); **Robert A. Lumme**, Huntington Station, NY (US)
- (\*\*) Term: **14 Years**
- (21) Appl. No.: **29/460,852**
- (22) Filed: **Jul. 16, 2013**
- (51) **LOC (10) Cl.** ..... **25-02**
- (52) **U.S. Cl.**  
USPC ..... **D25/36**
- (58) **Field of Classification Search**  
USPC ..... D25/1-36; D2/798, 833, 837, 643;  
D11/213, 222, 216; 52/36.1,  
52/79.1-79.6, 169.6, 80.1, 80.2, 90.1,  
52/91.1-91.3, 92.1-92.3, 93.1, 93.2, 19,  
52/20; 404/25, 26  
See application file for complete search history.

6,435,764	B1	8/2002	McNeely	
D474,997	S *	5/2003	Berzack	D11/222
6,953,301	B2 *	10/2005	Koga et al.	404/25
7,165,911	B2 *	1/2007	Fier	404/26
7,648,307	B2 *	1/2010	Gondou et al.	404/26
7,648,308	B2 *	1/2010	Cuny et al.	404/26
D649,583	S *	11/2011	Miller	D17/20
8,118,517	B2 *	2/2012	Kelley et al.	404/25
D660,455	S *	5/2012	Belue et al.	D25/36
D666,306	S *	8/2012	Belue et al.	D25/36
8,727,659	B1 *	5/2014	Reynolds et al.	404/25
D707,151	S *	6/2014	Kimbrough et al.	D11/40
2002/0098038	A1	7/2002	Hassler	
2002/0176743	A1	11/2002	Shumlansky	
2002/0192023	A1	12/2002	McNeely	
2009/0148234	A1	6/2009	Pierce	
2009/0297265	A1	12/2009	Wood	
2013/0011194	A1 *	1/2013	Lorenz	404/25
2013/0071183	A1 *	3/2013	Vrondran et al.	404/25
2014/0270943	A1 *	9/2014	Blackowicz	404/25

\* cited by examiner

*Primary Examiner* — Garth Rademaker  
*Assistant Examiner* — Samantha Q Lawrence

(57) **CLAIM**  
We claim the ornamental design for a manhole leveling cover, as shown and described.

(56) **References Cited**

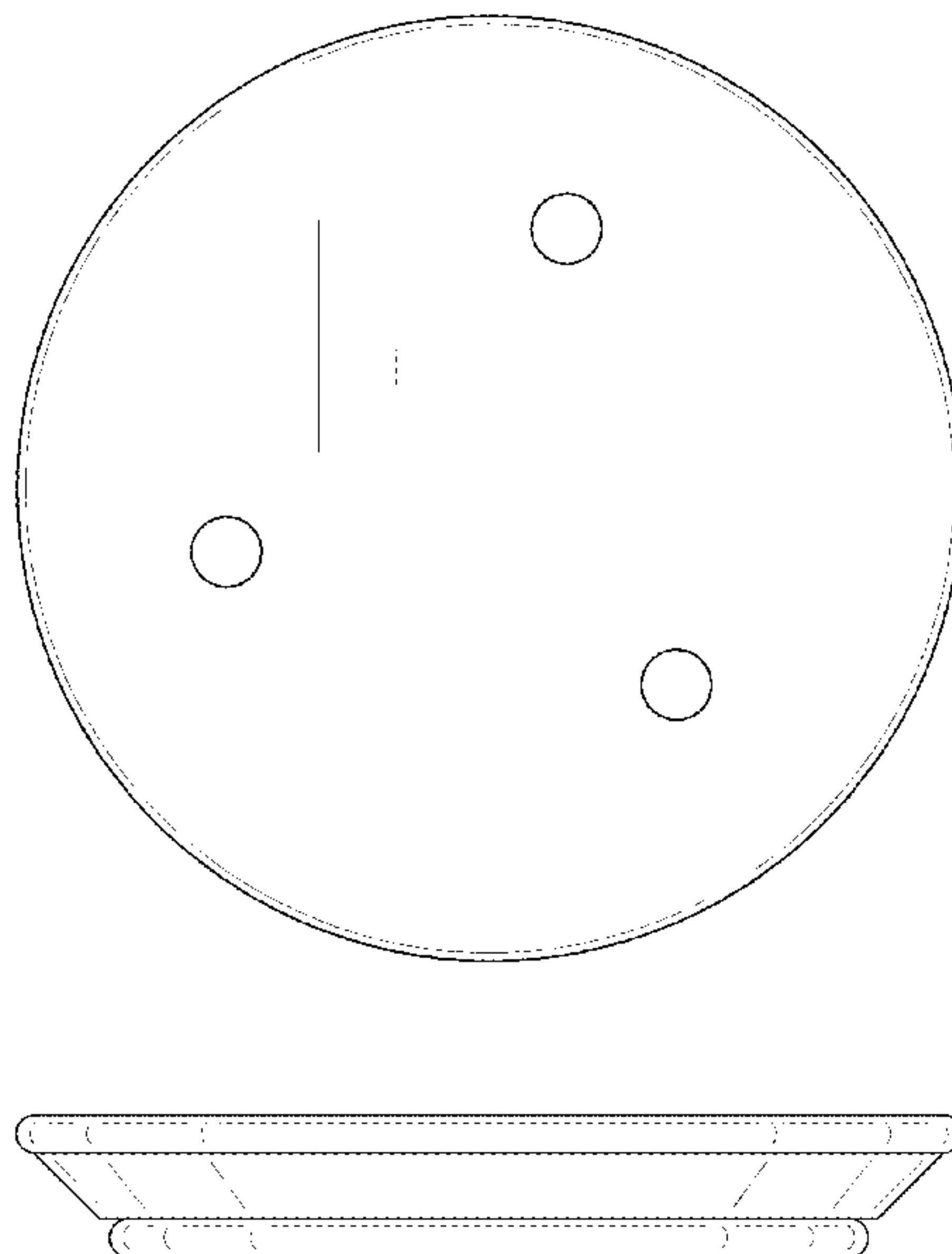
U.S. PATENT DOCUMENTS

D30,808	S *	5/1899	Greger	D25/36
1,898,871	A *	2/1933	Charlwood	49/41
3,263,580	A *	8/1966	MacMillan	404/25
5,378,078	A *	1/1995	Lewis et al.	404/25
5,595,455	A	1/1997	Svirklys	
D428,999	S	8/2000	Glab et al.	
6,109,824	A	8/2000	Annes	
D453,225	S *	1/2002	Andexler	D25/36
6,344,137	B1	2/2002	Chiang	

**DESCRIPTION**

FIG. 1 is a top view of a manhole leveling cover; FIG. 2 is a bottom view of the manhole leveling cover; FIG. 3 is a side view of the manhole leveling cover; and, FIG. 4 is a perspective view of the manhole leveling cover shown in an environment of use. The broken lines in FIG. 4 illustrate a manhole and road surface and form no part of the claimed design.

**1 Claim, 3 Drawing Sheets**



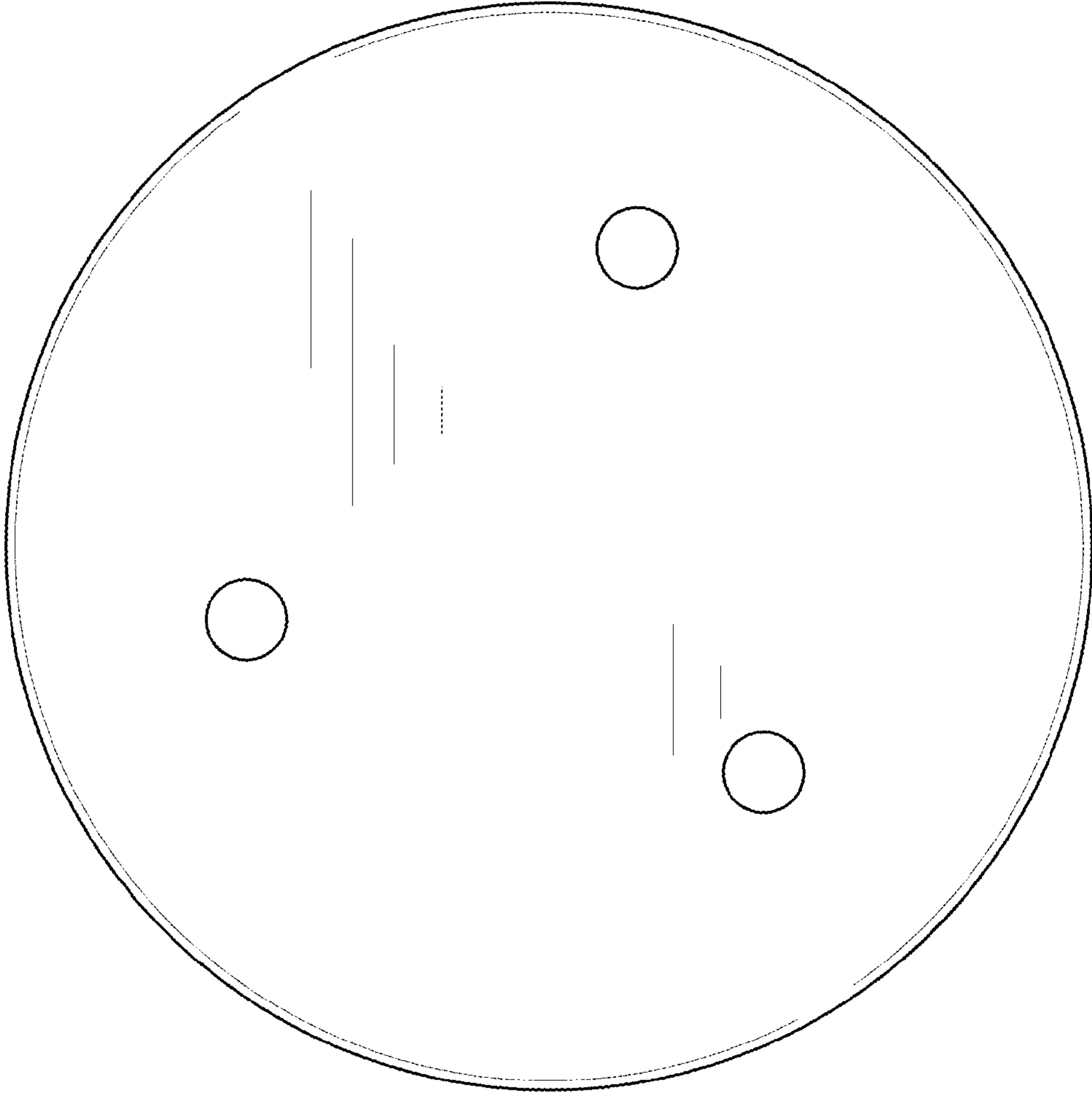


FIG. 1

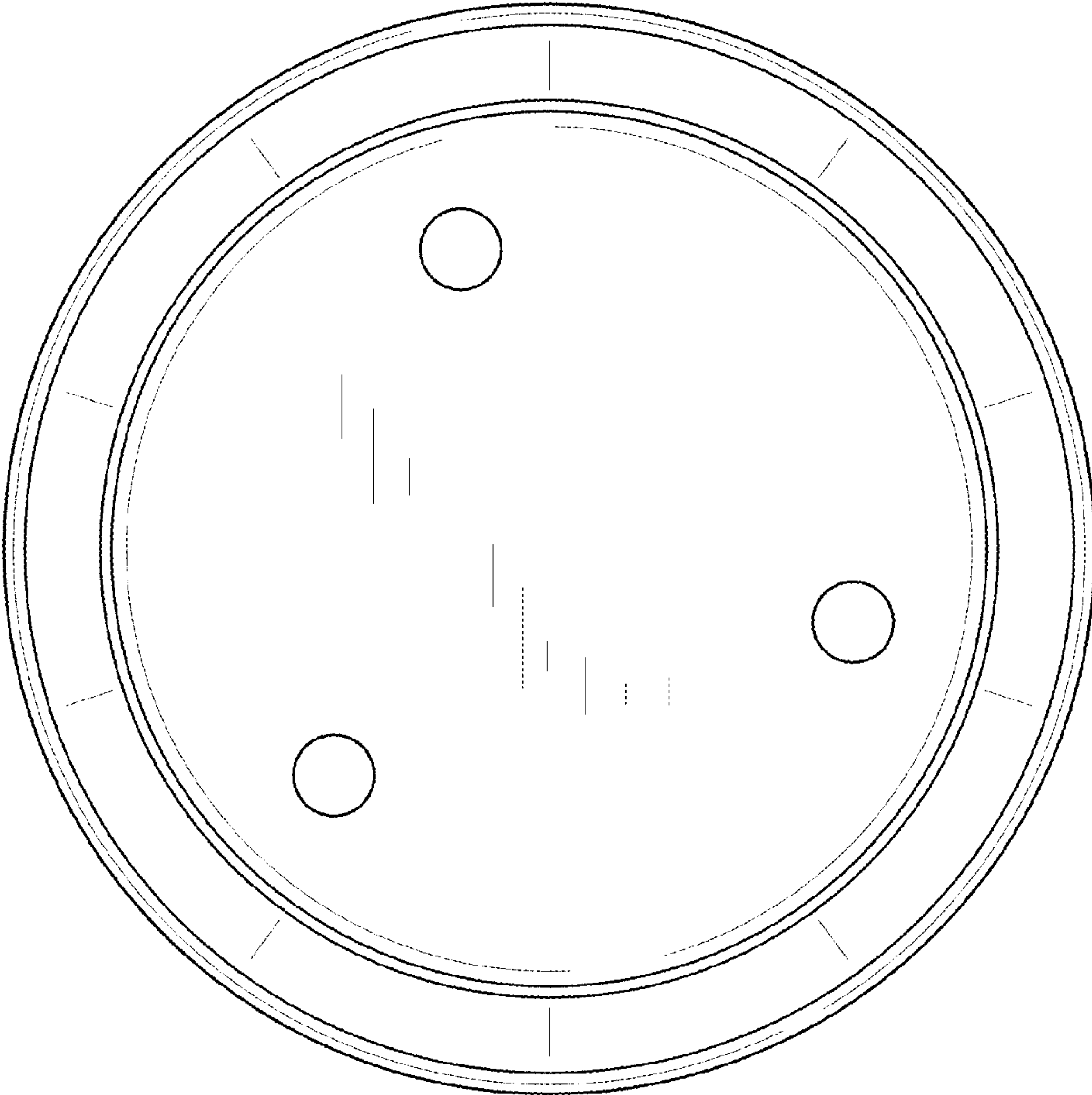


FIG. 2

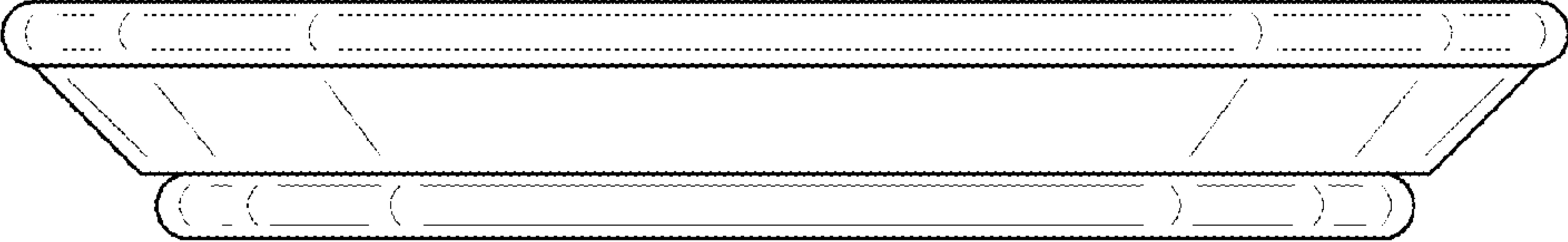


FIG. 3

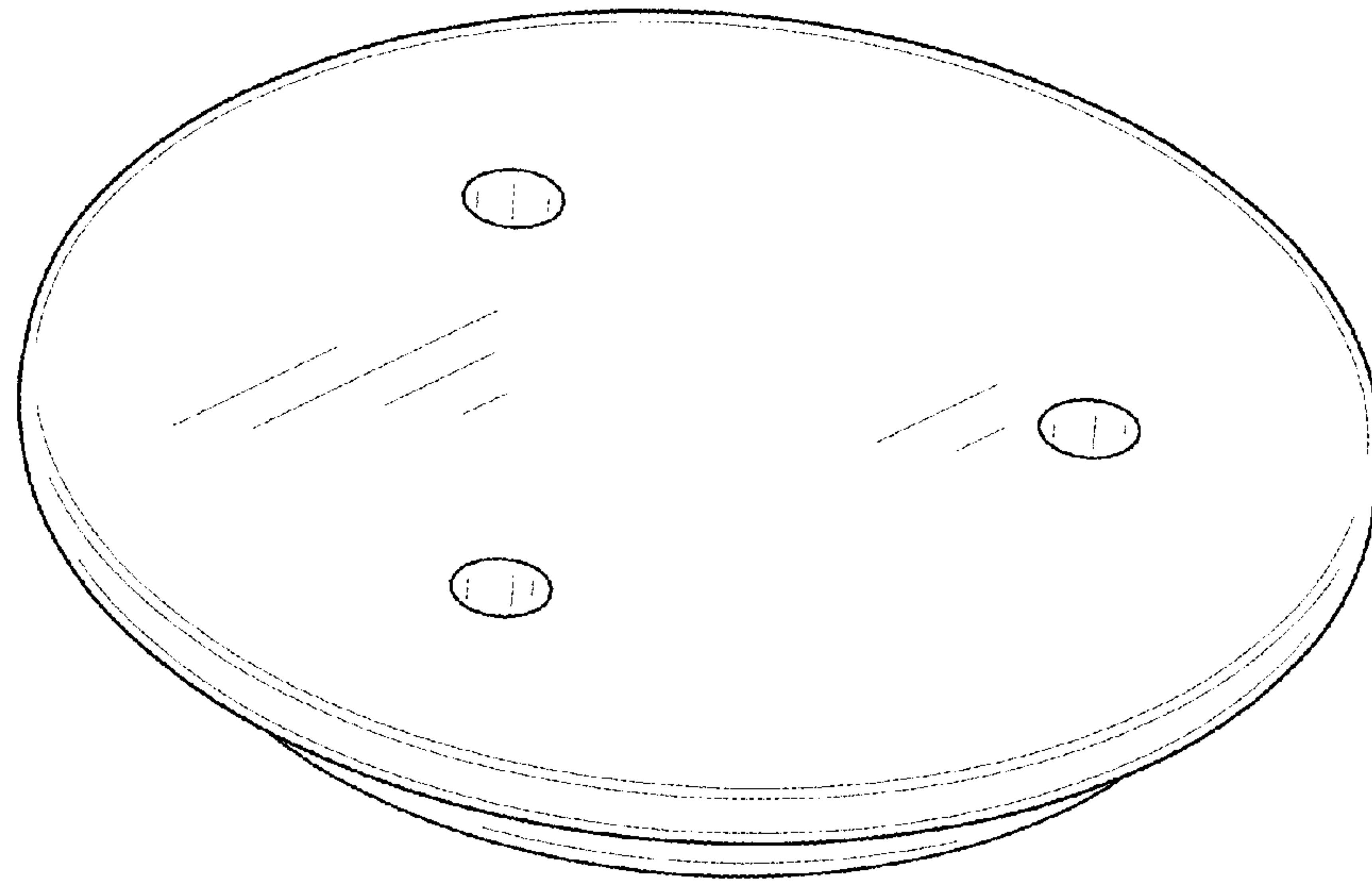


FIG. 4

