



US00D724756S

(12) **United States Design Patent**  
**Ghosh et al.**

(10) **Patent No.:** **US D724,756 S**  
(45) **Date of Patent:** **\*\* \*Mar. 17, 2015**

(54) **MEDICAL INSTRUMENT CAP**

(75) Inventors: **Deb Kumar Ghosh**, Kolkata (IN);  
**Tapas Chakravarty**, Kolkata (IN)

(73) Assignee: **Tata Consultancy Services Limited**  
(IN)

(\*) Notice: This patent is subject to a terminal disclaimer.

(\*\*) Term: **14 Years**

(21) Appl. No.: **29/411,577**

(22) Filed: **Jan. 24, 2012**

(30) **Foreign Application Priority Data**

Nov. 16, 2011 (IN) ..... 240781

(51) **LOC (10) Cl.** ..... **24-00**

(52) **U.S. Cl.**  
USPC ..... **D24/231**

(58) **Field of Classification Search**  
USPC ..... D24/137, 138, 140, 150, 157, 225, 160,  
D24/162, 166, 172, 174, 177, 183, 185, 186,  
D24/199, 216, 227, 230, 231, 232, 234,  
D24/454; D9/452, 454; 351/200–203, 218,  
351/221, 224, 243, 246, 239; D23/209

See application file for complete search history.

(56) **References Cited**

U.S. PATENT DOCUMENTS

D384,282 S *	9/1997	Wong .....	D9/443
D528,419 S *	9/2006	Robinson .....	D9/454
D531,036 S *	10/2006	Bried et al. ....	D9/504
D545,677 S *	7/2007	Mavin et al. ....	D9/452
D588,925 S *	3/2009	DeMarco .....	D9/558
D619,656 S *	7/2010	Trombly .....	D19/77
D668,149 S *	10/2012	Bessinger et al. ....	D9/436
D668,153 S *	10/2012	Mavin et al. ....	D9/449
D678,503 S *	3/2013	Schmidt et al. ....	D24/108
D678,769 S *	3/2013	Kawamura .....	D9/452
D678,770 S *	3/2013	Kawamura .....	D9/452
D678,771 S *	3/2013	Kawamura .....	D9/454

\* cited by examiner

*Primary Examiner* — Ian Simmons

*Assistant Examiner* — Rhea Shields

(74) *Attorney, Agent, or Firm* — Thompson Hine L.L.P.

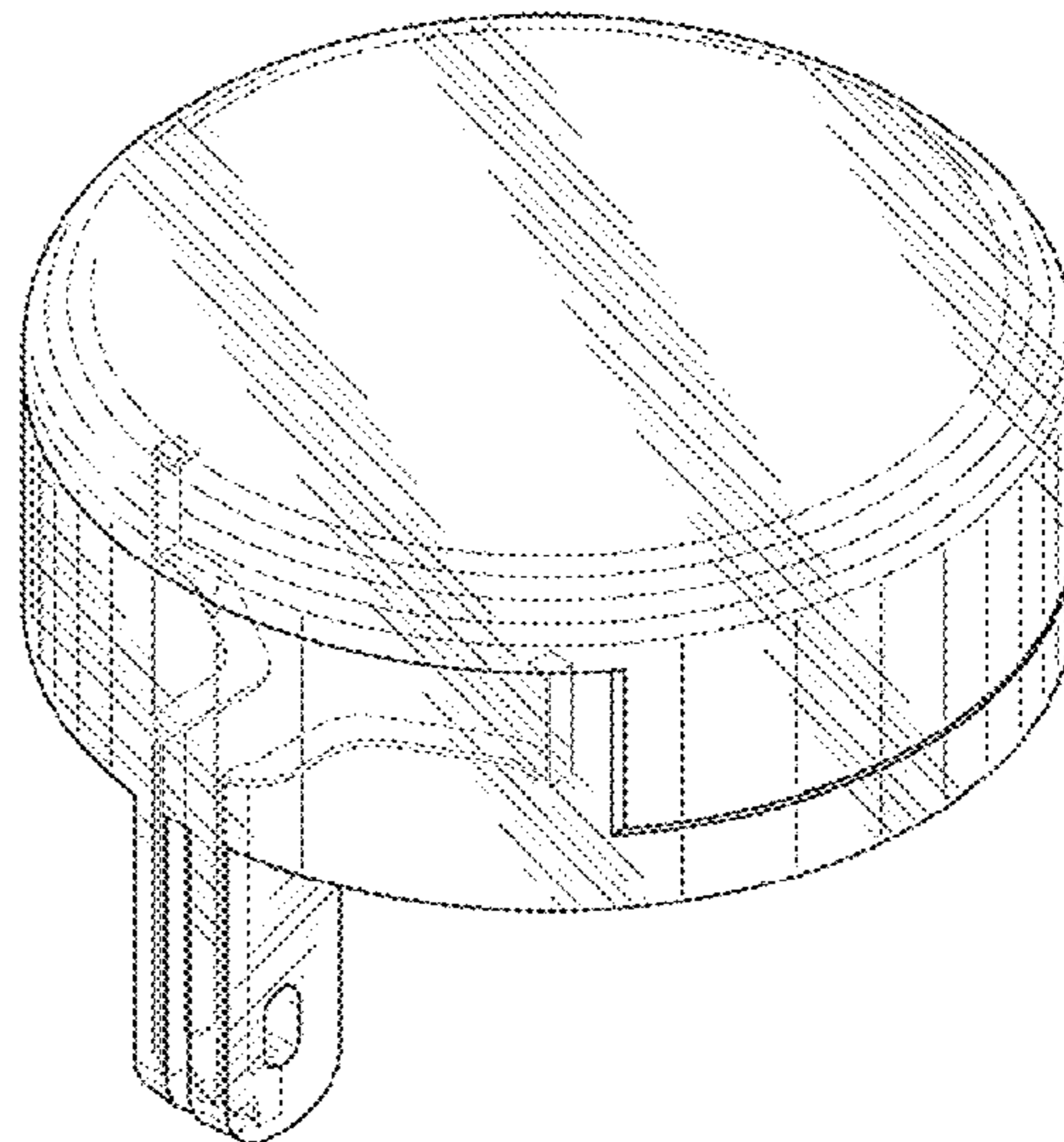
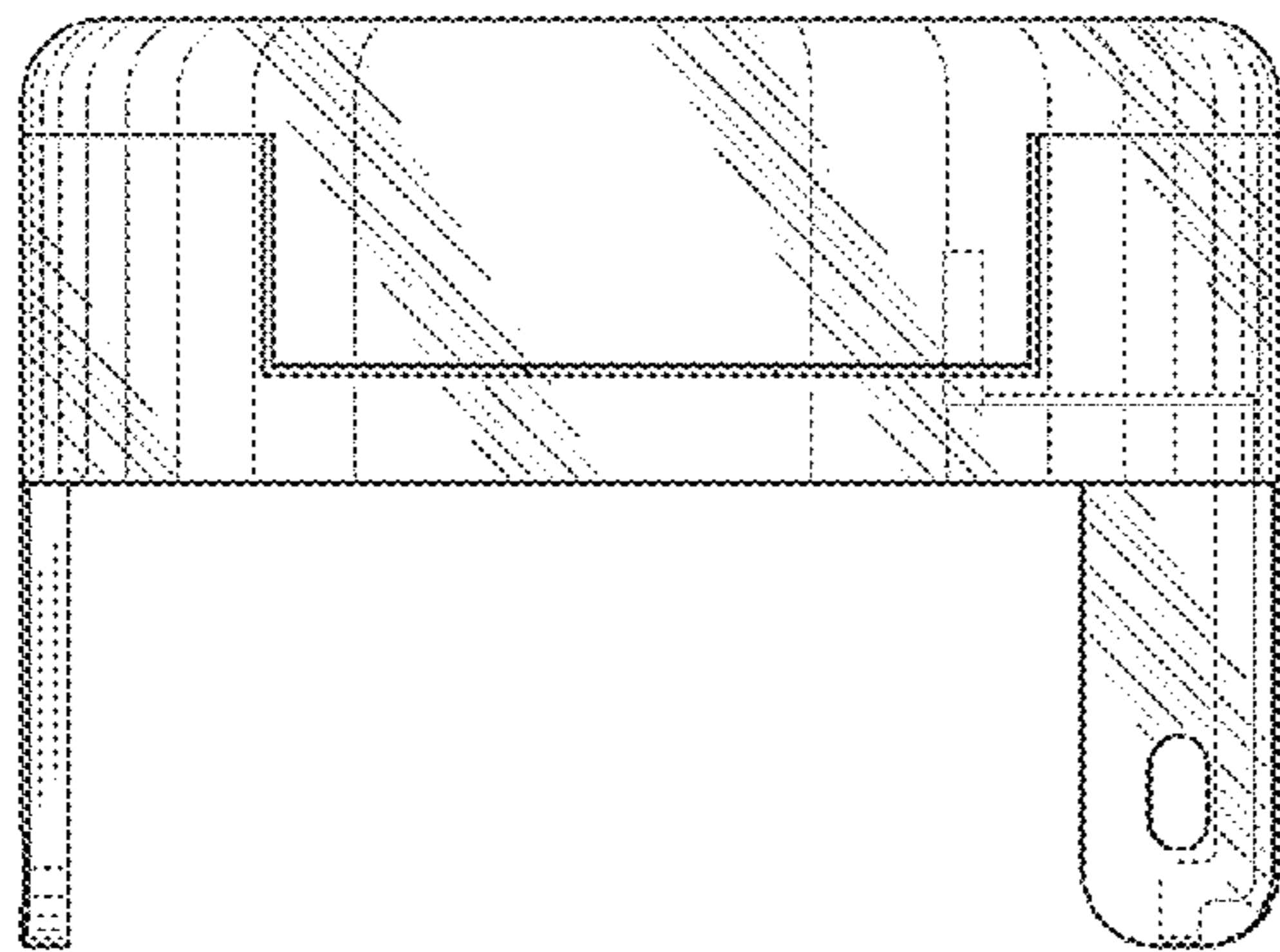
(57) **CLAIM**

The ornamental design of the medical instrument cap, as shown and described.

**DESCRIPTION**

FIG. 1 is a front view of the medical instrument cap;  
FIG. 2 is a back view of the medical instrument cap;  
FIG. 3 is a right hand view of the medical instrument cap;  
FIG. 4 is a left hand view of the medical instrument cap;  
FIG. 5 is an isometric view of the medical instrument cap.  
FIG. 6 is a top plan view of the medical instrument cap; and,  
FIG. 7 is a bottom plan view of the medical instrument cap.

**1 Claim, 7 Drawing Sheets**



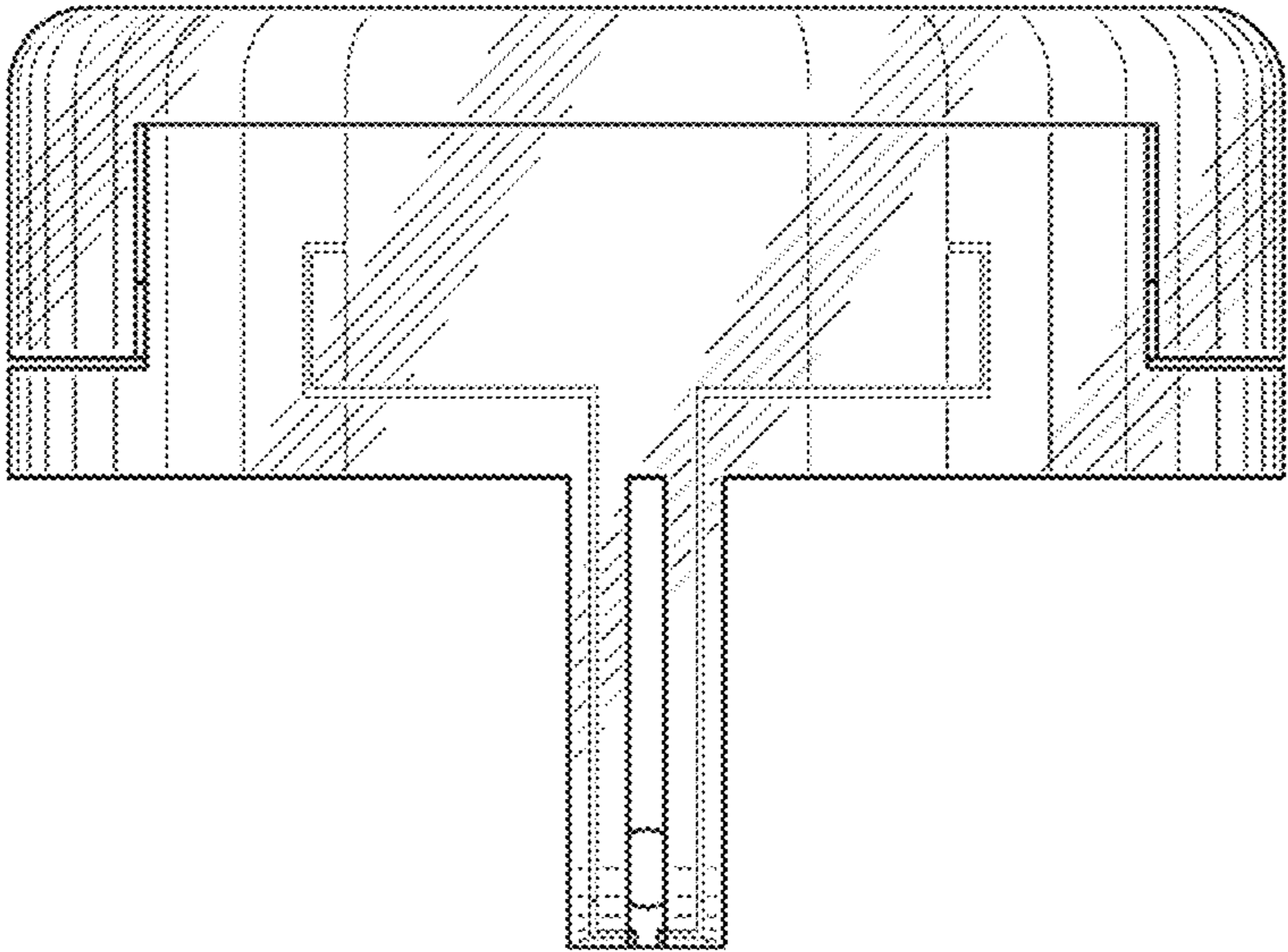


FIG. 1

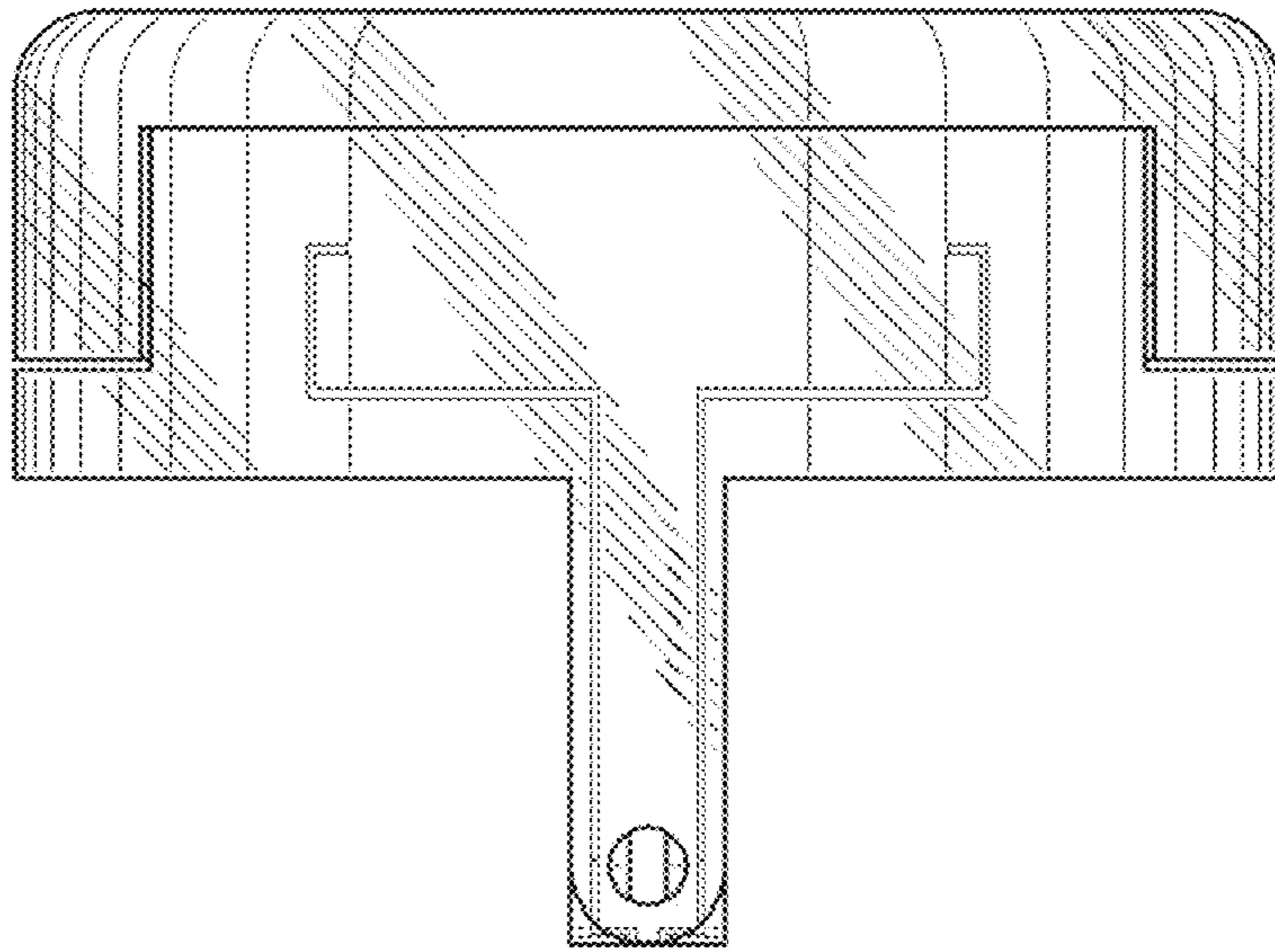


FIG. 2

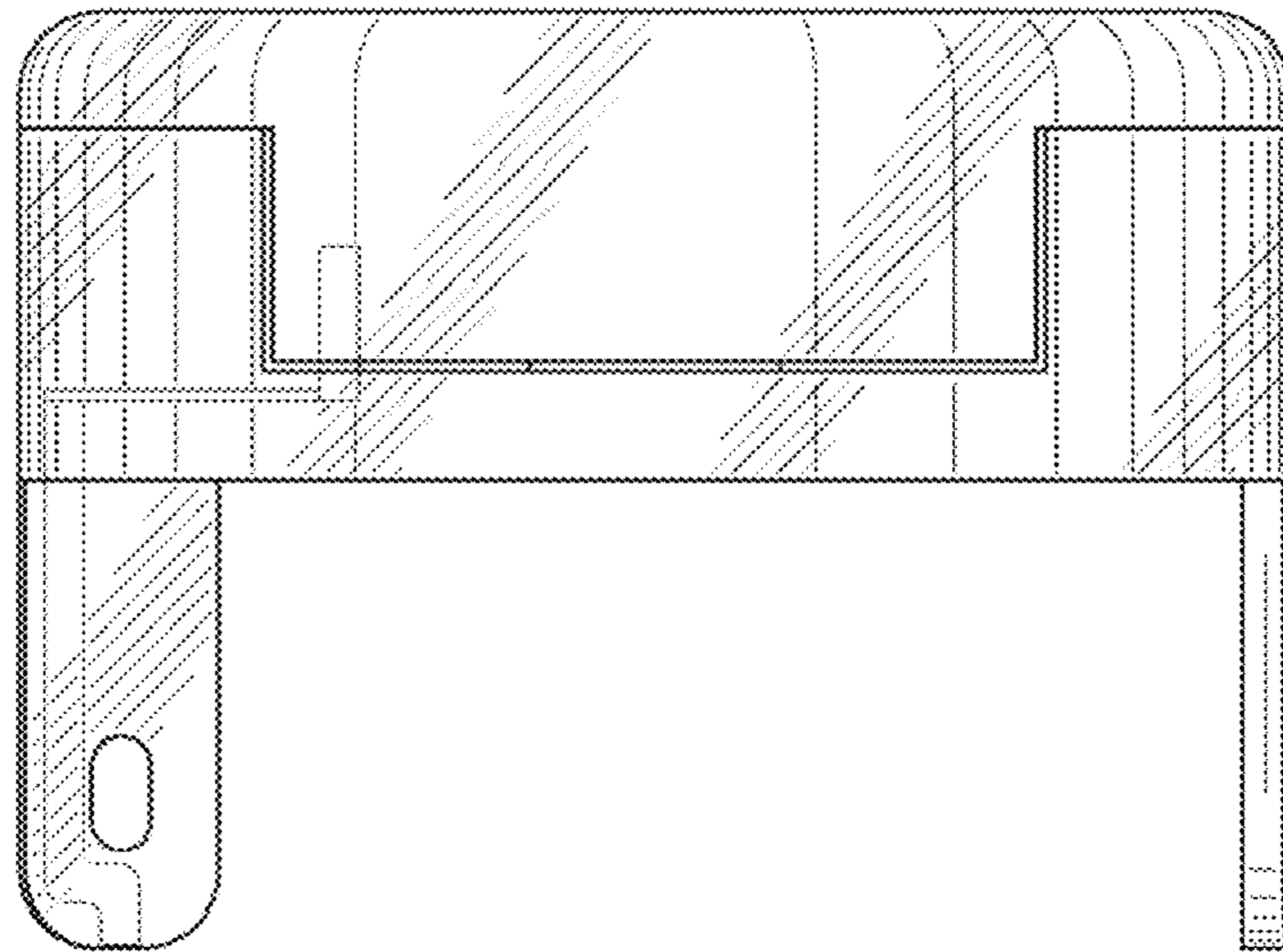


FIG. 3

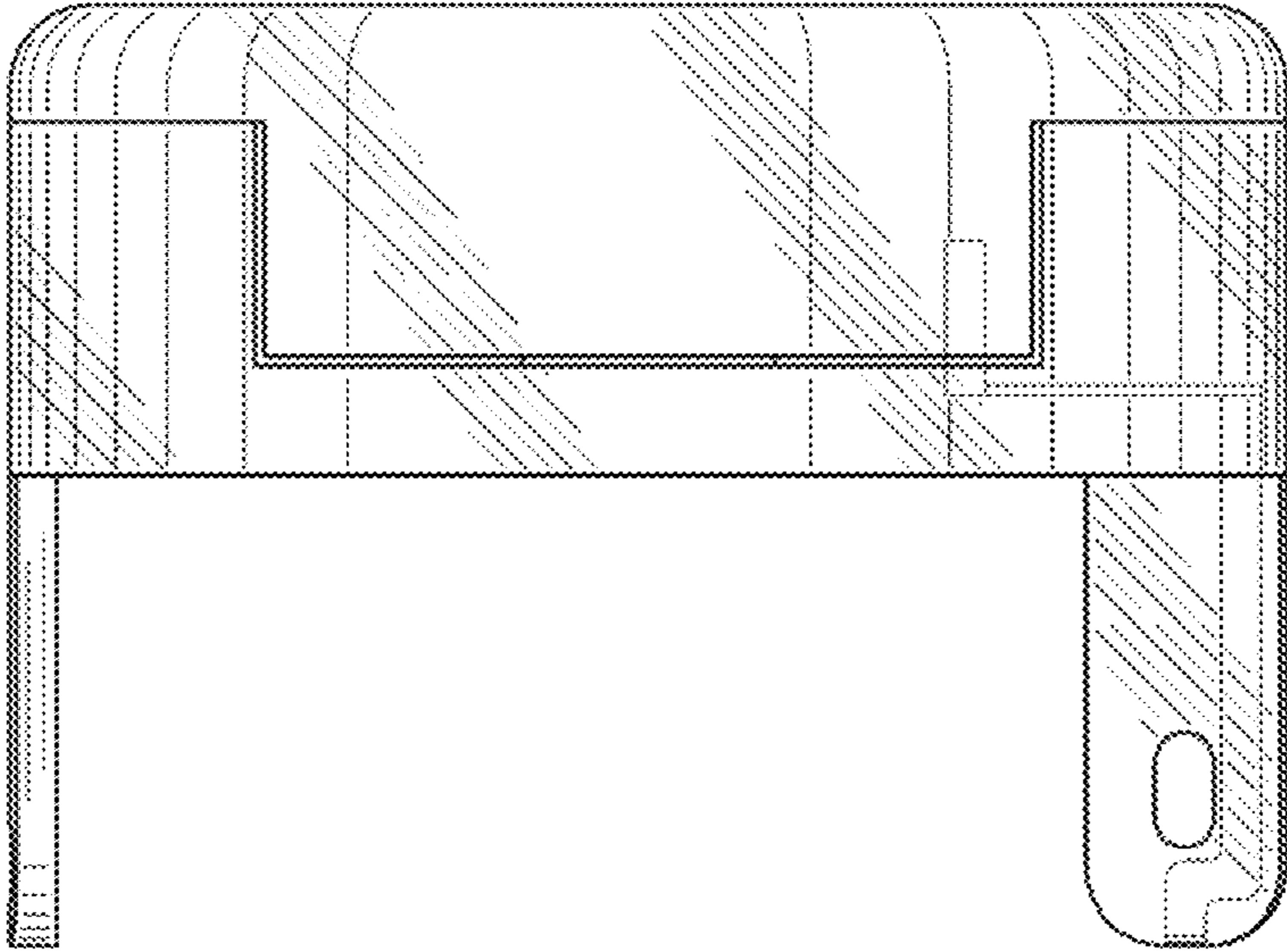


FIG. 4

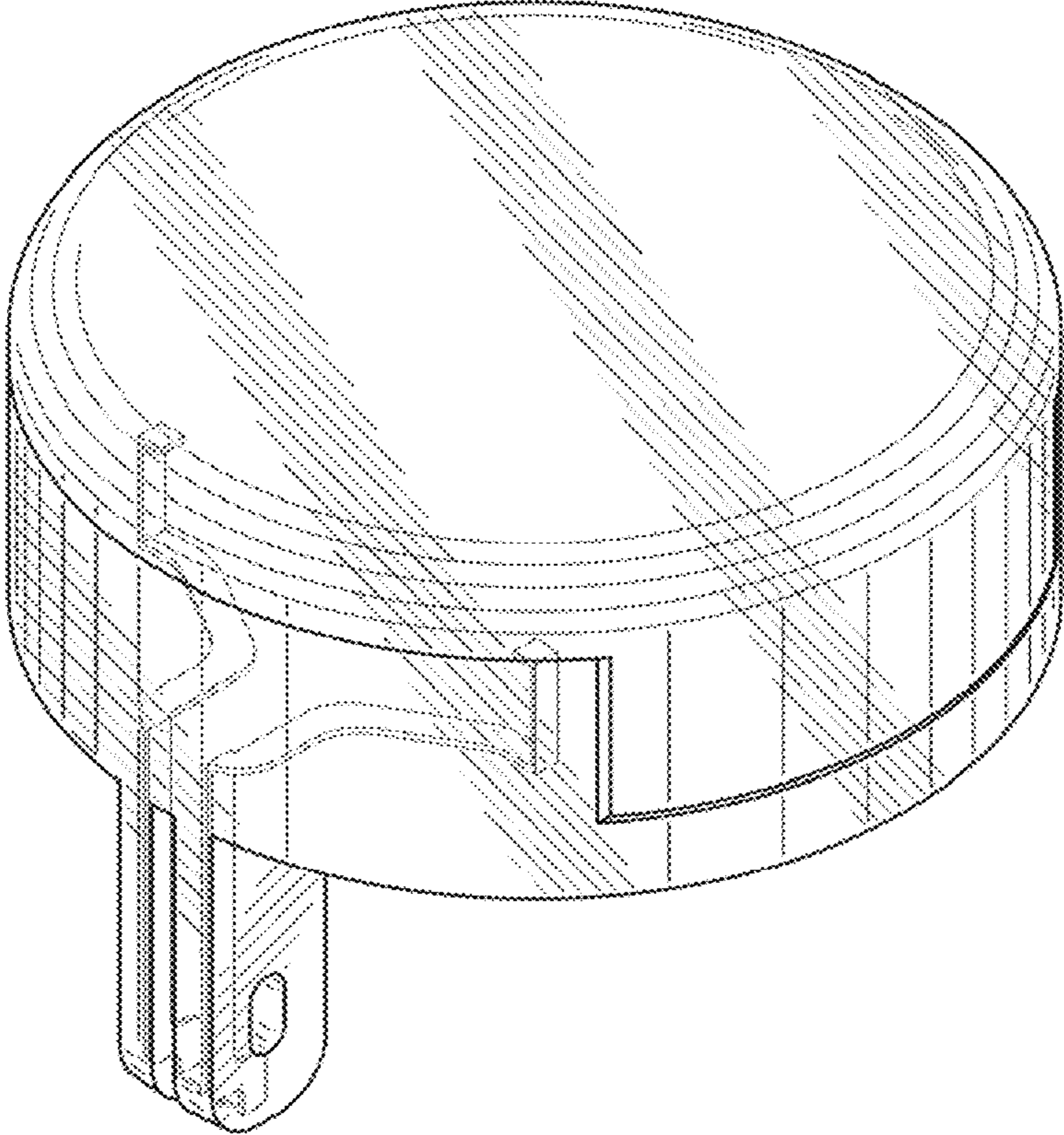


FIG. 5

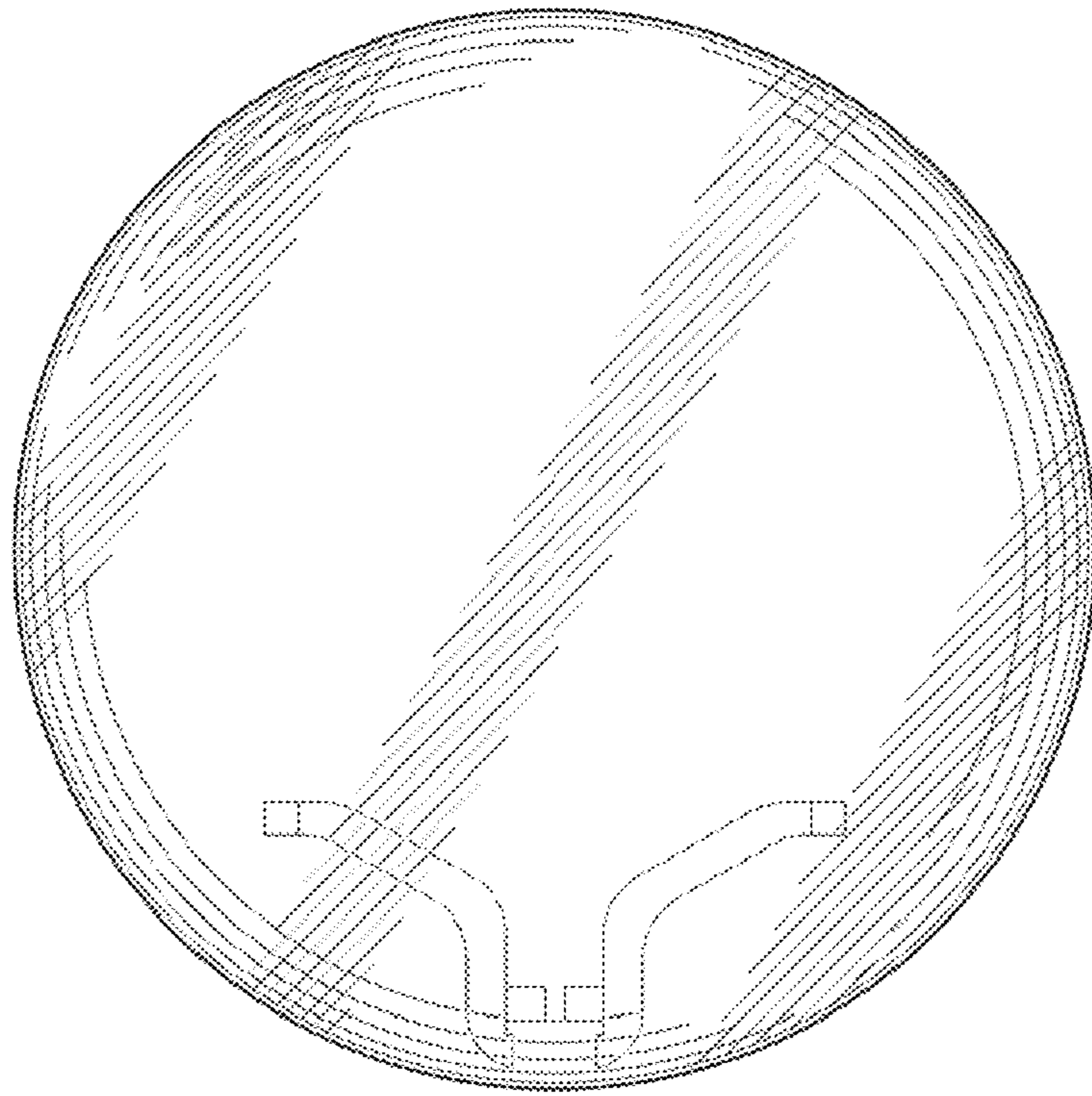


FIG. 6

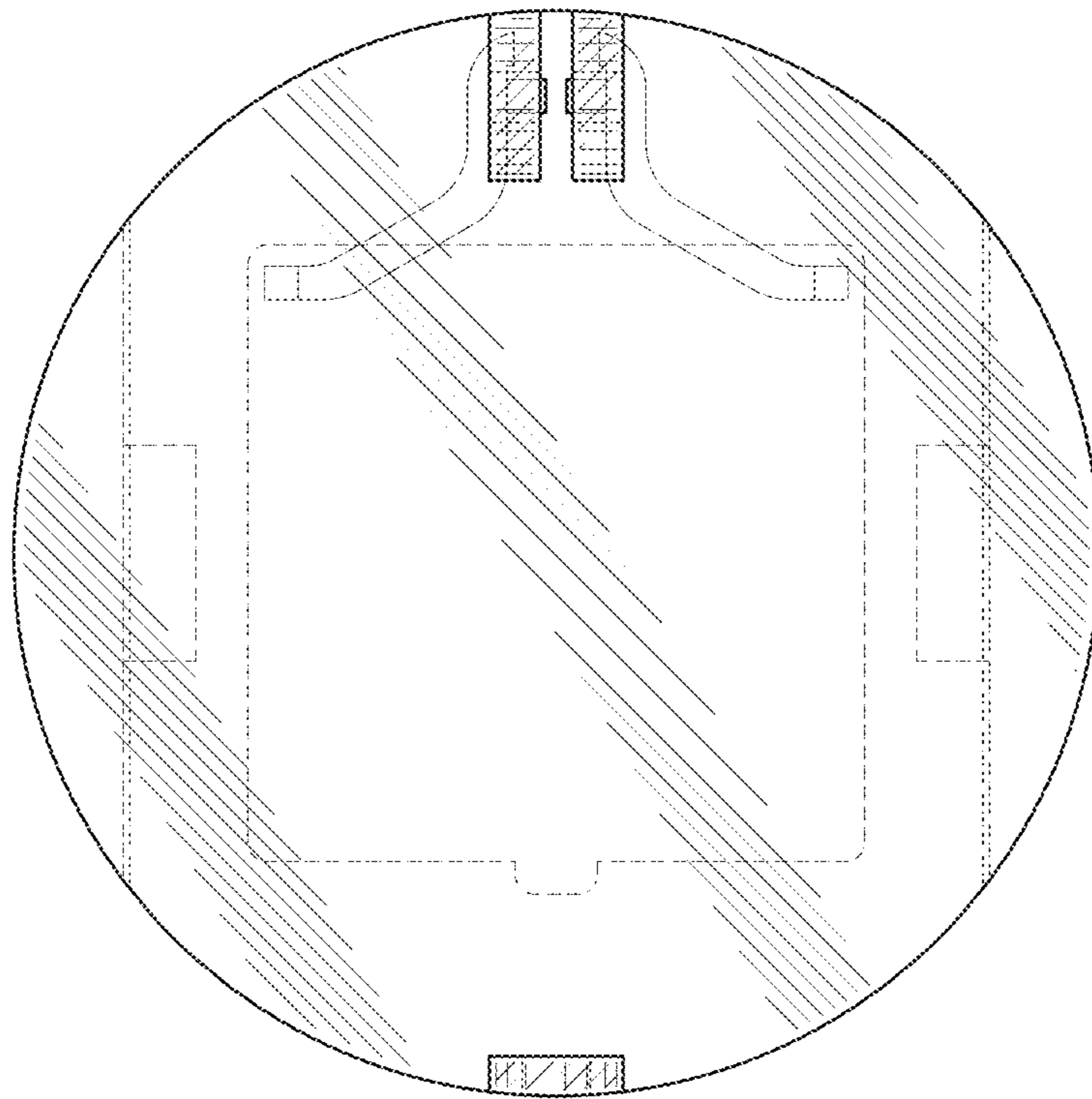


FIG. 7



UNITED STATES PATENT AND TRADEMARK OFFICE  
**CERTIFICATE OF CORRECTION**

PATENT NO. : D724,756 S  
APPLICATION NO. : 29/411577  
DATED : March 17, 2015  
INVENTOR(S) : Deb Kumar Ghosh and Tapas Chakravarty

Page 1 of 1

It is certified that error appears in the above-identified patent and that said Letters Patent is hereby corrected as shown below:

On the title page in the Description, line 7, it reads:

“FIG. 7 is a bottom plan view of the medical instrument cap.”

This sentence should be omitted.

On the title page col. 2, under Description, delete “1 Claim, 7 Drawing Sheets” and insert  
--1 Claim, 6 Drawing Sheets--

In the Drawings, it reads:

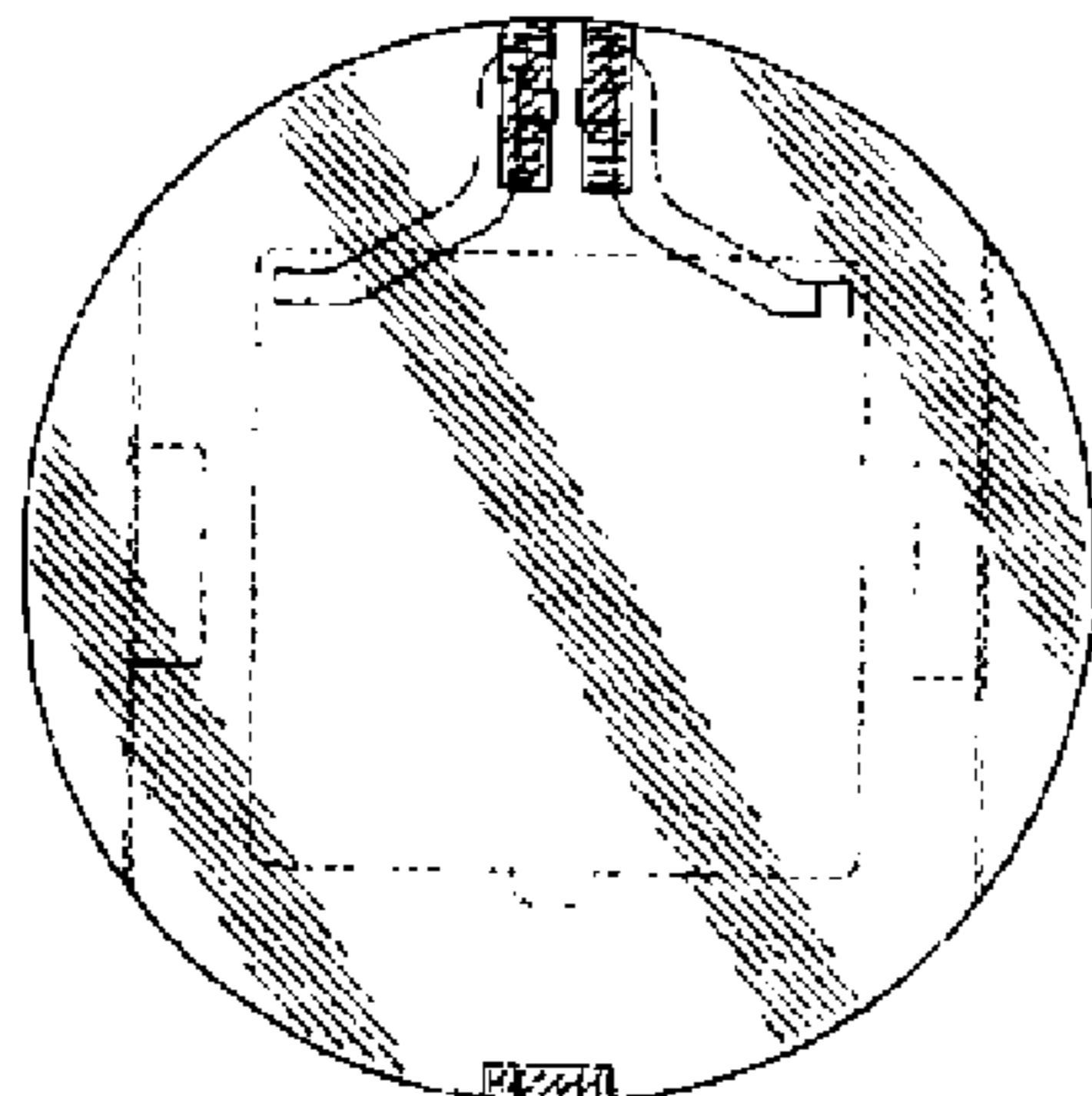


FIG. 7

FIG 7. should be omitted.

Signed and Sealed this  
Eleventh Day of August, 2015

*Michelle K. Lee*

Michelle K. Lee  
Director of the United States Patent and Trademark Office