



US00D724754S

(12) **United States Design Patent**
Kuroda et al.

(10) **Patent No.:** **US D724,754 S**
(45) **Date of Patent:** **** Mar. 17, 2015**

- (54) **BASKET**
- (71) Applicant: **Becton Dickinson and Company**,
Franklin Lakes, NJ (US)
- (72) Inventors: **Melody M. H. Kuroda**, Durham, NC
(US); **Dwight Livingston**, Fallston, MD
(US); **Michael Justin Lizzi**,
Stewartstown, PA (US); **Gregory S.**
Kramer, Hilliard, OH (US); **Thomas D.**
Haubert, Columbus, OH (US); **Michael**
L. Marshall, Lewis Center, OH (US);
James A. Prescott, Columbus, OH (US);
Randy Somerville, Columbus, OH (US);
M. Scott Ulrich, Columbus, OH (US)
- (73) Assignee: **Becton, Dickinson and Company**,
Franklin Lakes, NJ (US)
- (**) Term: **14 Years**
- (21) Appl. No.: **29/462,385**
- (22) Filed: **Aug. 2, 2013**

| | | |
|----------------|---------|---------------------------------|
| D306,266 S | 2/1990 | Hargrove et al. |
| 5,312,009 A | 5/1994 | Ratajczak et al. |
| D351,904 S | 10/1994 | Maze |
| D359,128 S | 6/1995 | Kesling |
| D360,698 S * | 7/1995 | Stevens et al. D24/224 |
| D370,263 S | 5/1996 | Falkenberg et al. |
| 5,976,895 A | 11/1999 | Cipkowski |
| D424,440 S | 5/2000 | Wilkinson et al. |
| D435,906 S | 1/2001 | Wilkinson et al. |
| D488,233 S | 4/2004 | Ellsworth et al. |
| D494,279 S | 8/2004 | Cogan et al. |
| 6,899,850 B2 * | 5/2005 | Haywood et al. 422/547 |
| D506,261 S | 6/2005 | Hellstrom |
| D520,643 S | 5/2006 | Clarke et al. |
| D522,145 S | 5/2006 | Best et al. |
| 7,497,340 B2 * | 3/2009 | Hershberger et al. 210/435 |
| D624,194 S * | 9/2010 | Pack et al. D24/224 |
| D641,866 S | 7/2011 | Burgess et al. |
| D642,282 S | 7/2011 | Bargh |

(Continued)

Primary Examiner — Anhdao Doan
(74) *Attorney, Agent, or Firm* — Alston & Bird LLP

Related U.S. Application Data

- (63) Continuation of application No. 29/418,181, filed on
Apr. 12, 2012, now Pat. No. Des. 690,826.
- (51) **LOC (10) Cl.** **24-01**
- (52) **U.S. Cl.**
USPC **D24/224**
- (58) **Field of Classification Search**
USPC D24/216, 223, 224, 225, 226, 121, 162,
D24/227-230; 435/288.7, 308.1, 34, 287.1,
435/288.1; 422/547, 549, 500, 556, 557
See application file for complete search history.

References Cited

U.S. PATENT DOCUMENTS

- D128,936 S 8/1941 Foley
- D240,543 S 7/1976 Dragotta

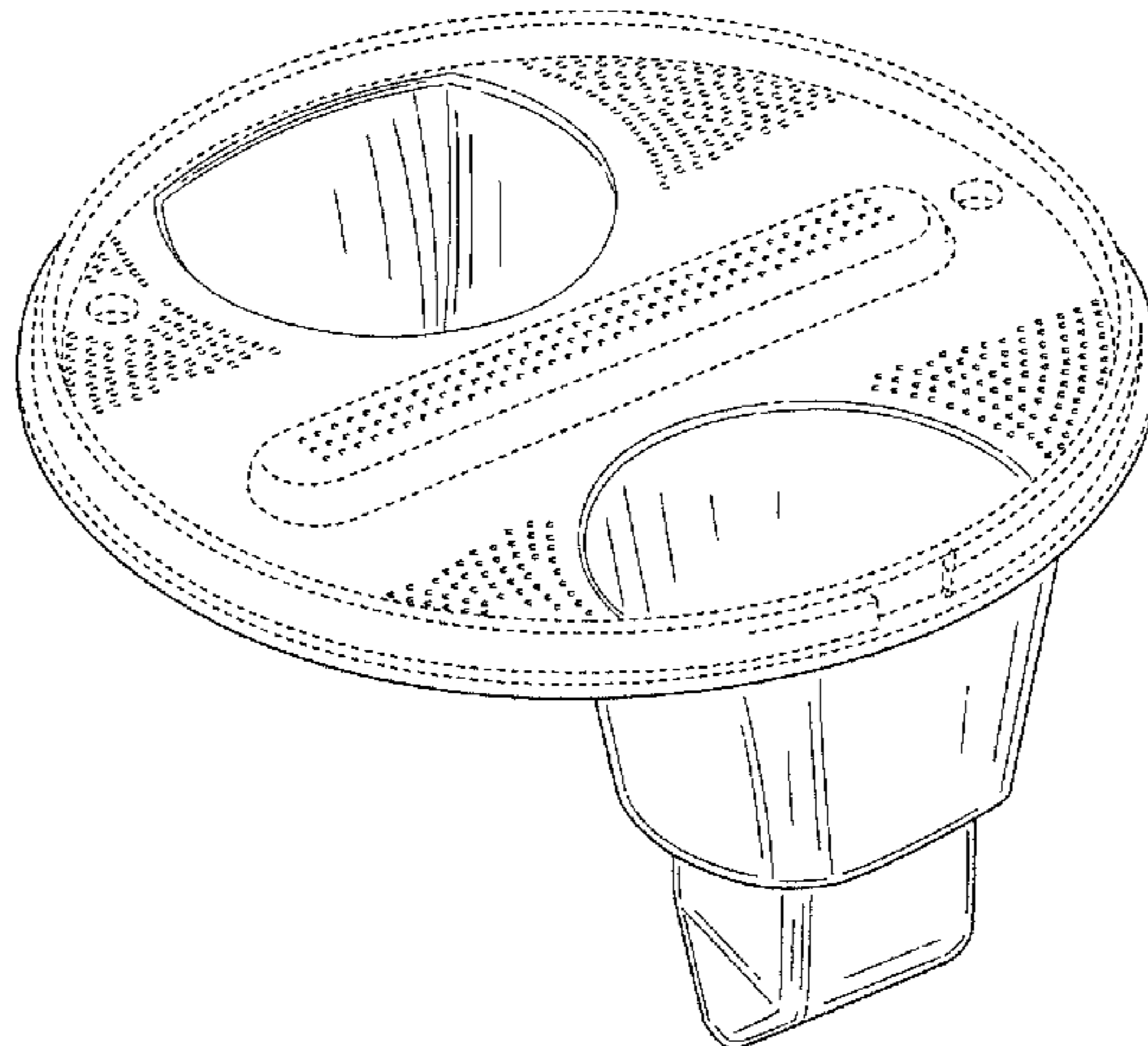
(57) **CLAIM**
The ornamental design for a basket, as shown and described.

DESCRIPTION

FIG. 1 is a perspective view of a basket according to our new design;
 FIG. 2 is a front view thereof;
 FIG. 3 is a rear view thereof;
 FIG. 4 is a right side view thereof;
 FIG. 5 is a left side view thereof;
 FIG. 6 is a top view thereof; and,
 FIG. 7 is a bottom view thereof.

The broken lines immediately adjacent the shaded areas represent the bounds of the claimed design while all other broken lines are directed to environment and are for illustrative purposes only; the broken lines form no part of the claimed design.

1 Claim, 7 Drawing Sheets



(56)

References Cited

U.S. PATENT DOCUMENTS

| | | | | |
|------------------|---------|---------------------|---------|---------------------|
| D651,322 S * | 12/2011 | Svard | D24/224 | |
| 8,163,253 B1 | 4/2012 | Hartselle | | |
| D666,736 S * | 9/2012 | Kobayashi | D24/224 | * cited by examiner |
| D683,044 S * | 5/2013 | Klein et al. | D24/224 | |
| 2008/0293156 A1 | 11/2008 | Smith | | |
| 2012/0058553 A1* | 3/2012 | Haywood et al. | 422/547 | |

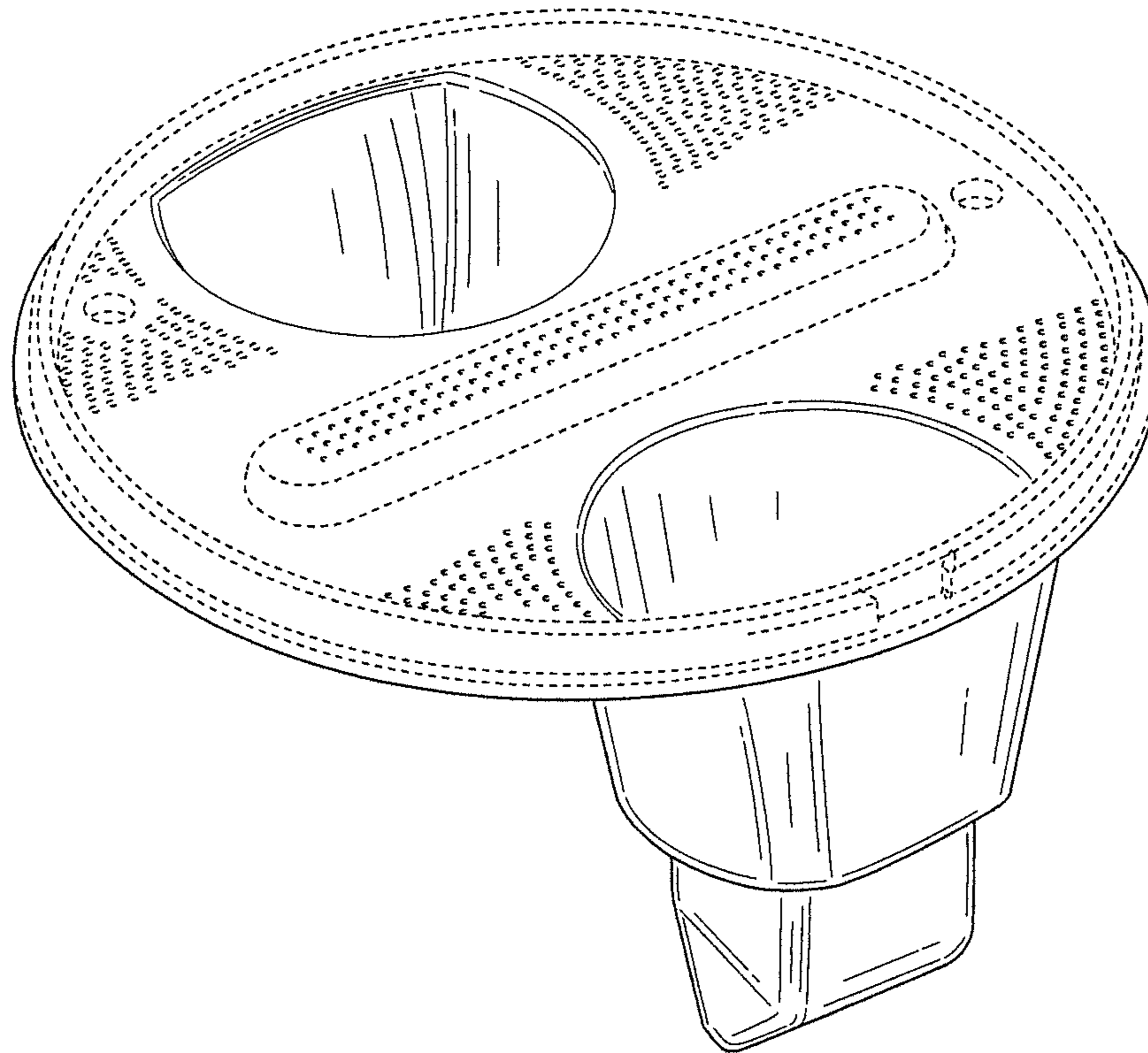


FIG. 1

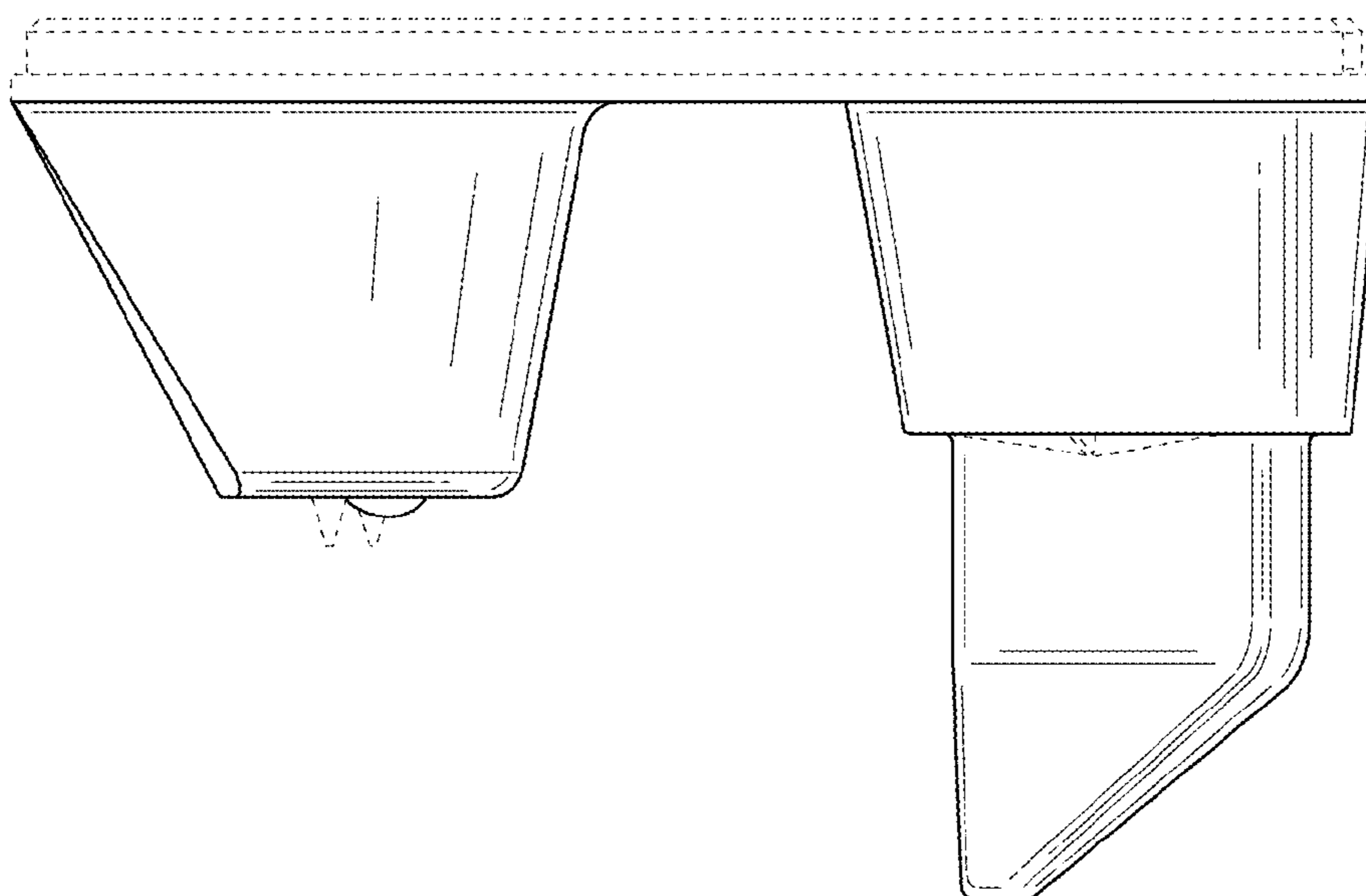


FIG. 2

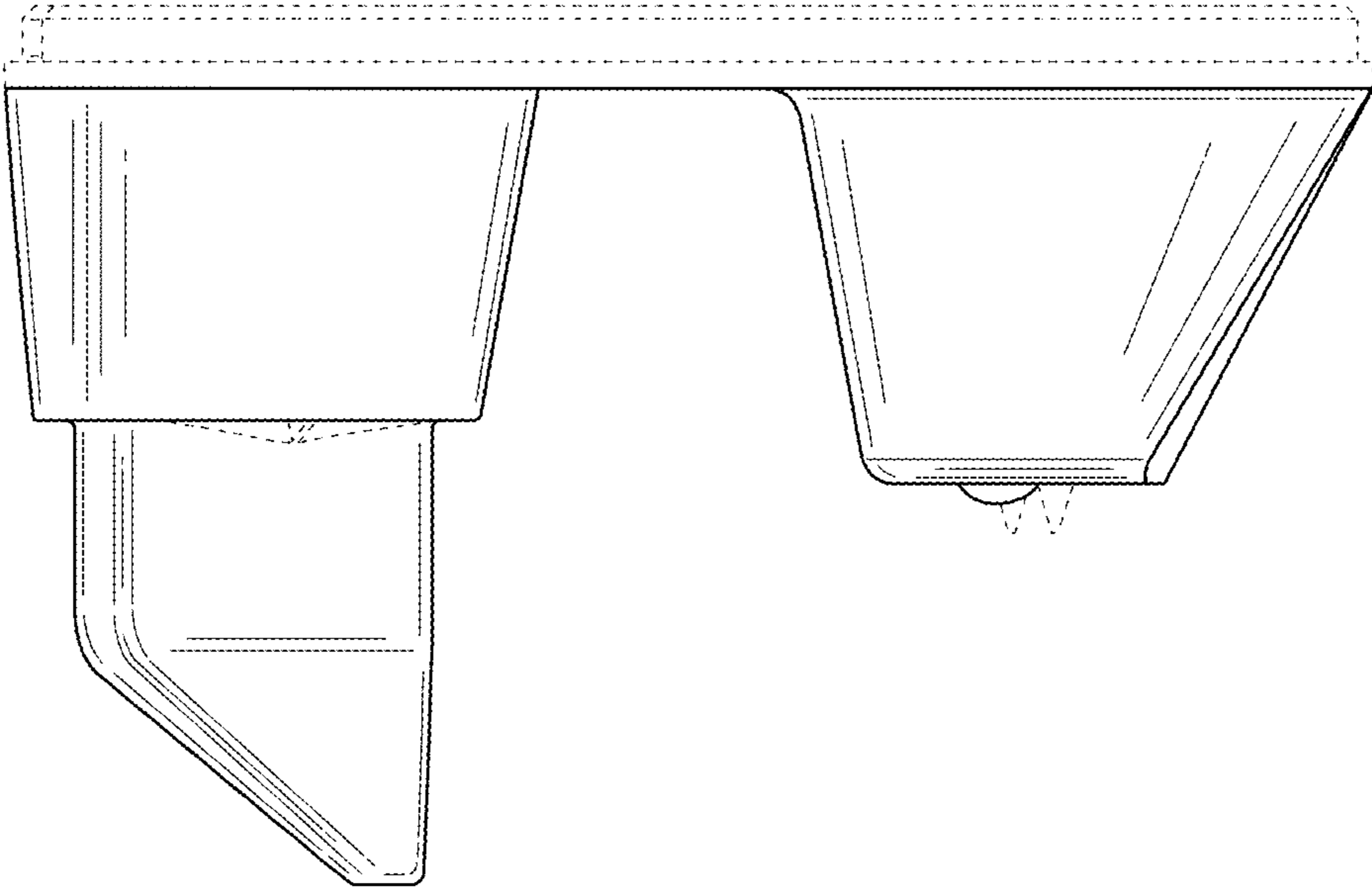


FIG. 3

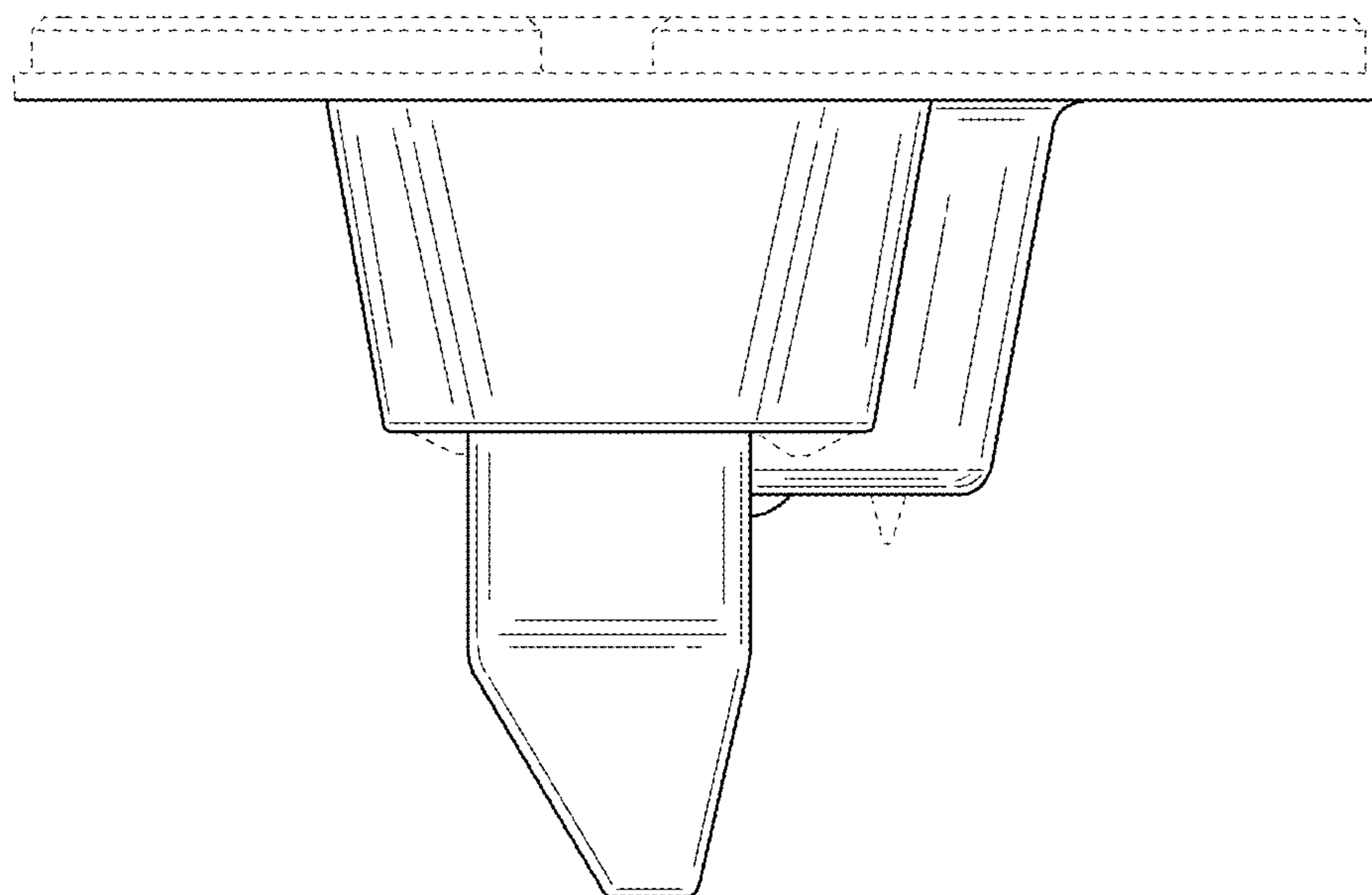


FIG. 4

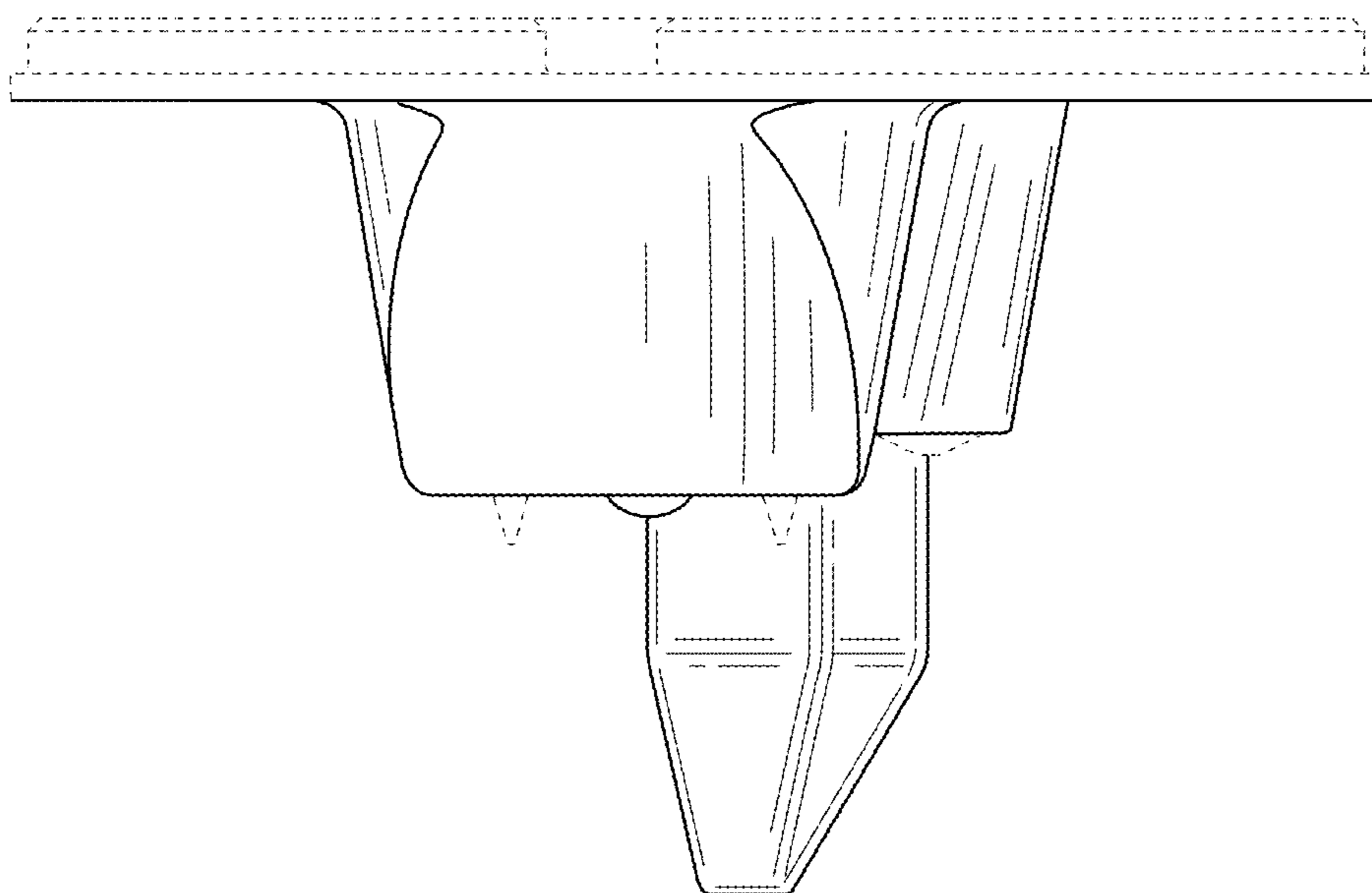


FIG. 5

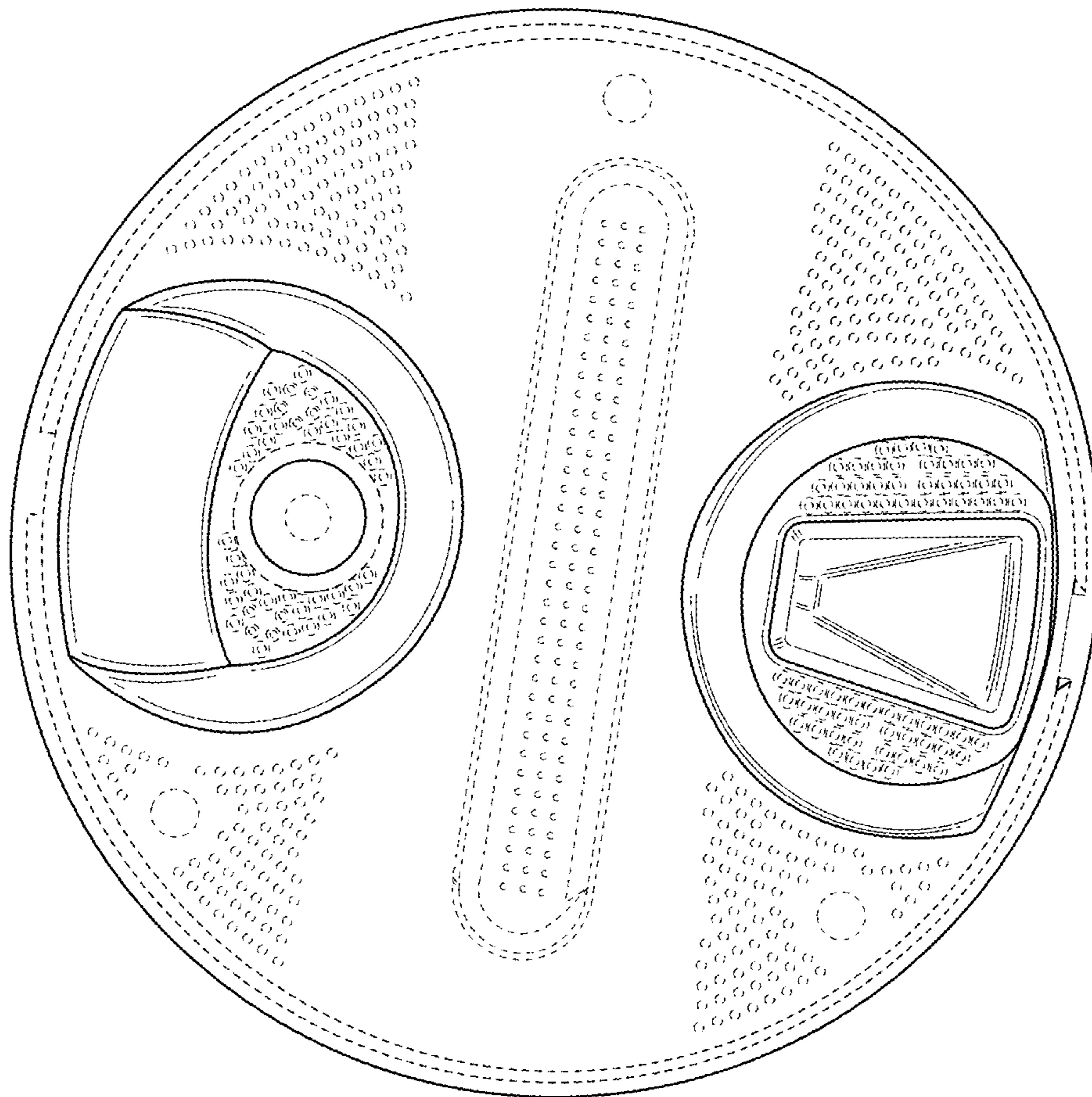


FIG. 6

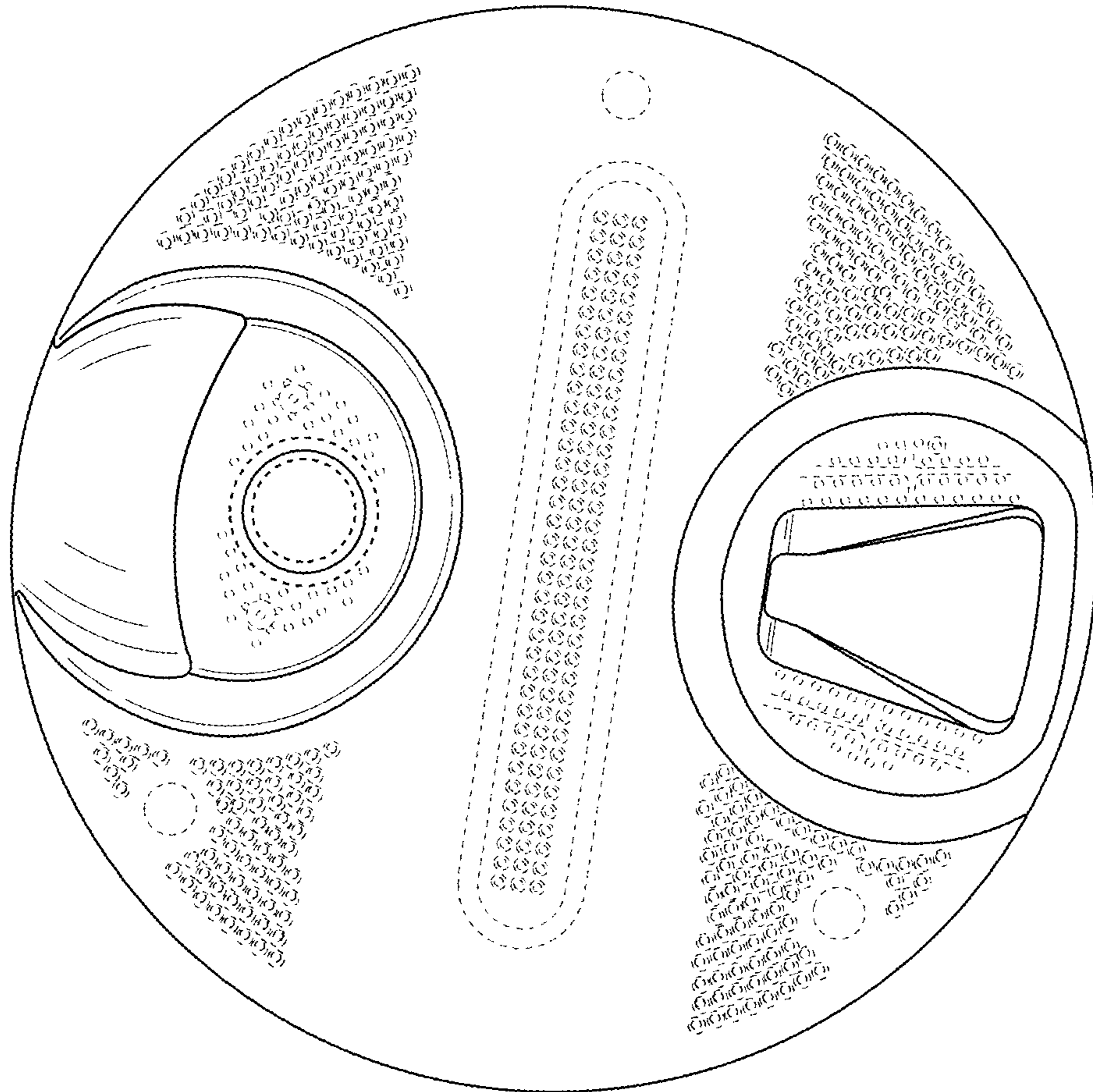


FIG. 7

UNITED STATES PATENT AND TRADEMARK OFFICE
CERTIFICATE OF CORRECTION

PATENT NO. : D724,754 S
APPLICATION NO. : 29/462385
DATED : March 17, 2015
INVENTOR(S) : Melody M. H. Kuroda et al.

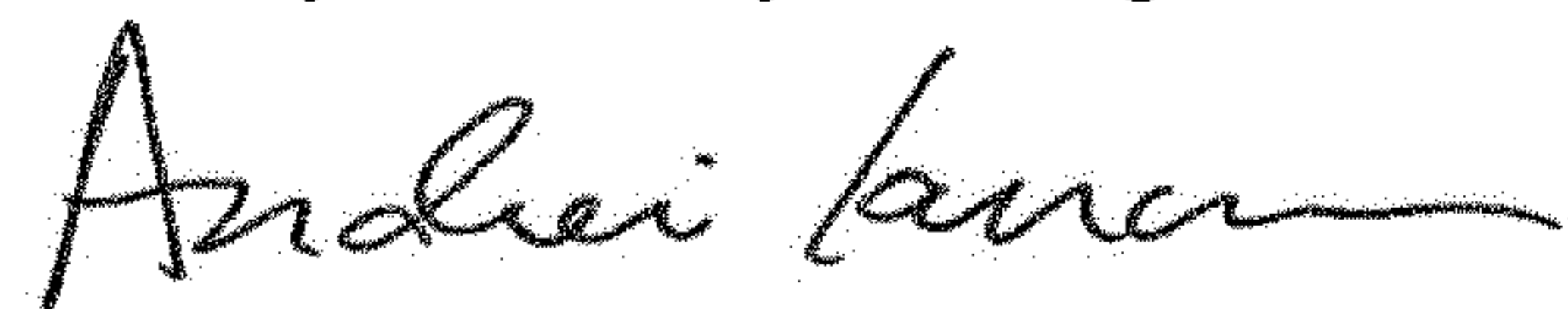
Page 1 of 1

It is certified that error appears in the above-identified patent and that said Letters Patent is hereby corrected as shown below:

On the Title Page

(72) Inventors:, “Melody M.H. Kuroda, Durham, NC (US); Dwight Livingston, Fallston, MD (US); Michael Justin Lizzi, Stewartstown, PA (US); Gregory S. Kramer, Hilliard, OH (US); Thomas D. Haubert, Columbus, OH (US); Michael L. Marshall, Lewis Center, OH (US); James A. Prescott, Columbus, OH (US); Randy Somerville, Columbus, OH (US); M. Scott Ulrich, Columbus, OH (US)” should read --Melody M.H. Kuroda, Durham, NC (US); Dwight Livingston, Fallston, MD (US); Michael Justin Lizzi, Stewartstown, PA (US); Gregory S. Kramer, Hilliard, OH (US); Thomas D. Haubert, Columbus, OH (US); Michael L. Marshall, Lewis Center, OH (US); Randy Somerville, Columbus, OH (US)--.

Signed and Sealed this
Twenty-first Day of August, 2018



Andrei Iancu
Director of the United States Patent and Trademark Office