



US00D724753S

(12) **United States Design Patent**
Gutmann et al.

(10) **Patent No.:** **US D724,753 S**
(45) **Date of Patent:** **** Mar. 17, 2015**

(54) **MEDICAL IN-VITRO DIAGNOSTIC ANALYZER**

D663,040 S * 7/2012 Oonuma et al. D24/216
D681,226 S * 4/2013 Oonuma et al. D24/216
D689,621 S * 9/2013 Morrow et al. D24/232

(71) Applicant: **Roche Diagnostics Operations, Inc.**,
Indianapolis, IN (US)

* cited by examiner

(72) Inventors: **Peter Gutmann**, Thalwil (CH); **Jan Muegel**, Berlin (DE); **Therese Naef**, Nussbaumen (CH); **Britta Pukall**, Waedenswil (CH); **Johann Florian Wassermann**, Horgen (CH)

Primary Examiner — Anhdao Doan

(74) *Attorney, Agent, or Firm* — Dinsmore & Shohl LLP

(57) **CLAIM**

The ornamental design for a medical in-vitro diagnostic analyzer, as shown and described.

DESCRIPTION

(73) Assignee: **Roche Diagnostics Operations, Inc.**,
Indianapolis, IN (US)

FIG. 1 is a front elevational view of a medical in-vitro diagnostic analyzer illustrating an embodiment of our new design; FIG. 2 is a rear elevational view of FIG. 1 thereof; FIG. 3 is a right side elevational view of FIG. 1 thereof; FIG. 4 is a left side elevational view of FIG. 1 thereof; FIG. 5 is a top plan view of FIG. 1 thereof; FIG. 6 is a bottom plan view of FIG. 1 thereof; FIG. 7 is a perspective view depicting the top front right side view of FIG. 1 thereof; FIG. 8 is a perspective view depicting the top rear left side view of FIG. 1 thereof; FIG. 9 is a front elevational view of a medical in-vitro diagnostic analyzer illustrating an embodiment of our new design; FIG. 10 is a rear elevational view of FIG. 9 thereof; FIG. 11 is a right side elevational view of FIG. 9 thereof; FIG. 12 is a left side elevational view of FIG. 9 thereof; FIG. 13 is a top plan view of FIG. 9 thereof; FIG. 14 is a bottom plan view of FIG. 9 thereof; FIG. 15 is a perspective view depicting the top front right side view of FIG. 9 thereof; and, FIG. 16 is a perspective view depicting the top rear left side view of FIG. 9 thereof.

(**) Term: **14 Years**

(21) Appl. No.: **29/487,619**

(22) Filed: **Apr. 10, 2014**

(51) **LOC (10) Cl.** **24-01**

(52) **U.S. Cl.**
USPC **D24/216**

(58) **Field of Classification Search**
USPC D24/216, 223, 231, 232, 233, 186, 107;
D10/81, 97; 435/286.1, 286.4, 286.5,
435/287.3; 422/63-67, 509; 73/863.01,
73/863.02, 863.03, 863.31, 863.32
See application file for complete search history.

(56) **References Cited**

U.S. PATENT DOCUMENTS

D320,073 S * 9/1991 Sakagami et al. D24/232
D346,027 S * 4/1994 Kobayashi D24/186
D430,304 S * 8/2000 Oonuma et al. D24/233
D474,416 S * 5/2003 Oonuma et al. D10/81

The broken lines are included for the purpose of illustrating environmental structure and form no part of the claimed design.

1 Claim, 16 Drawing Sheets

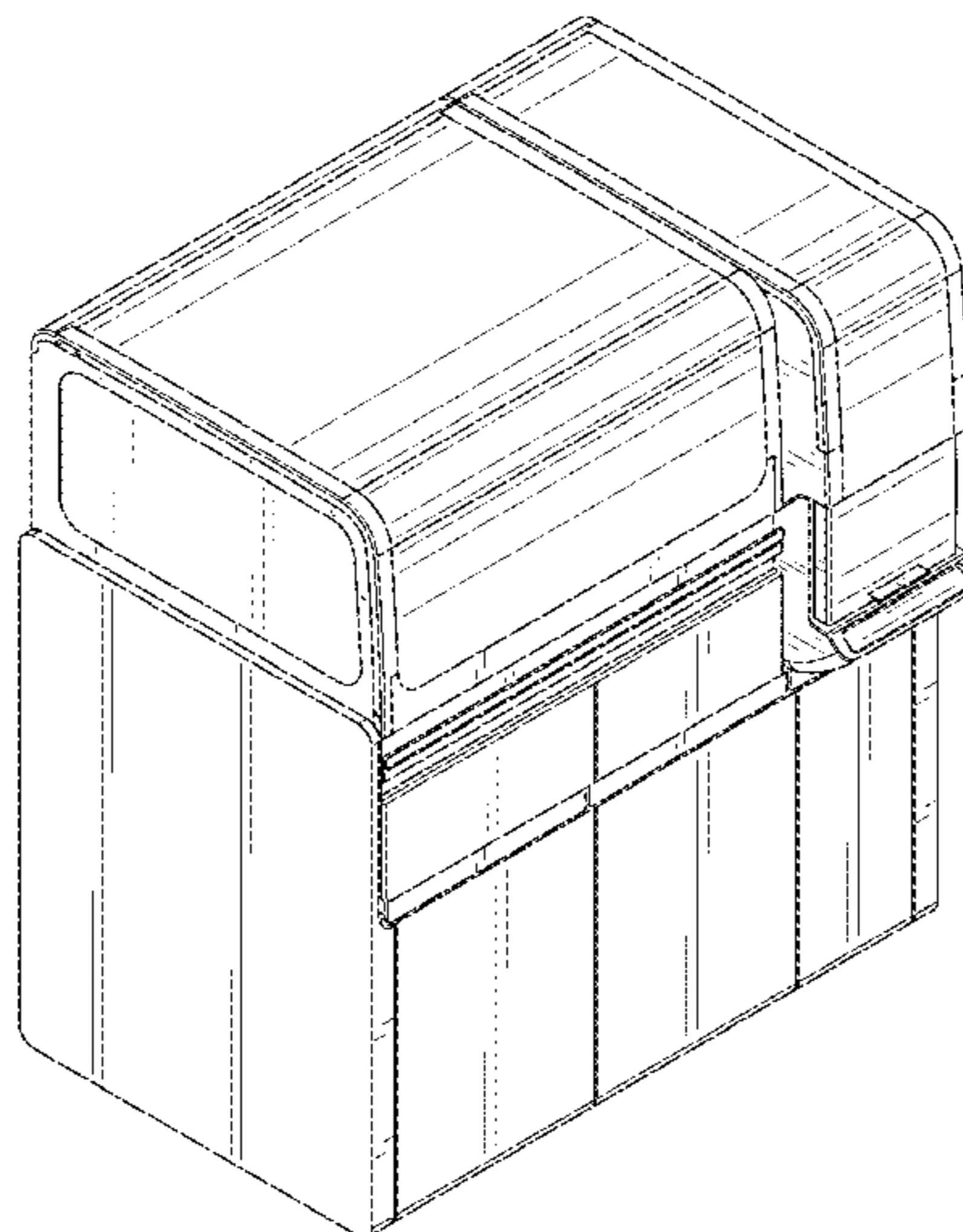




FIG. 1

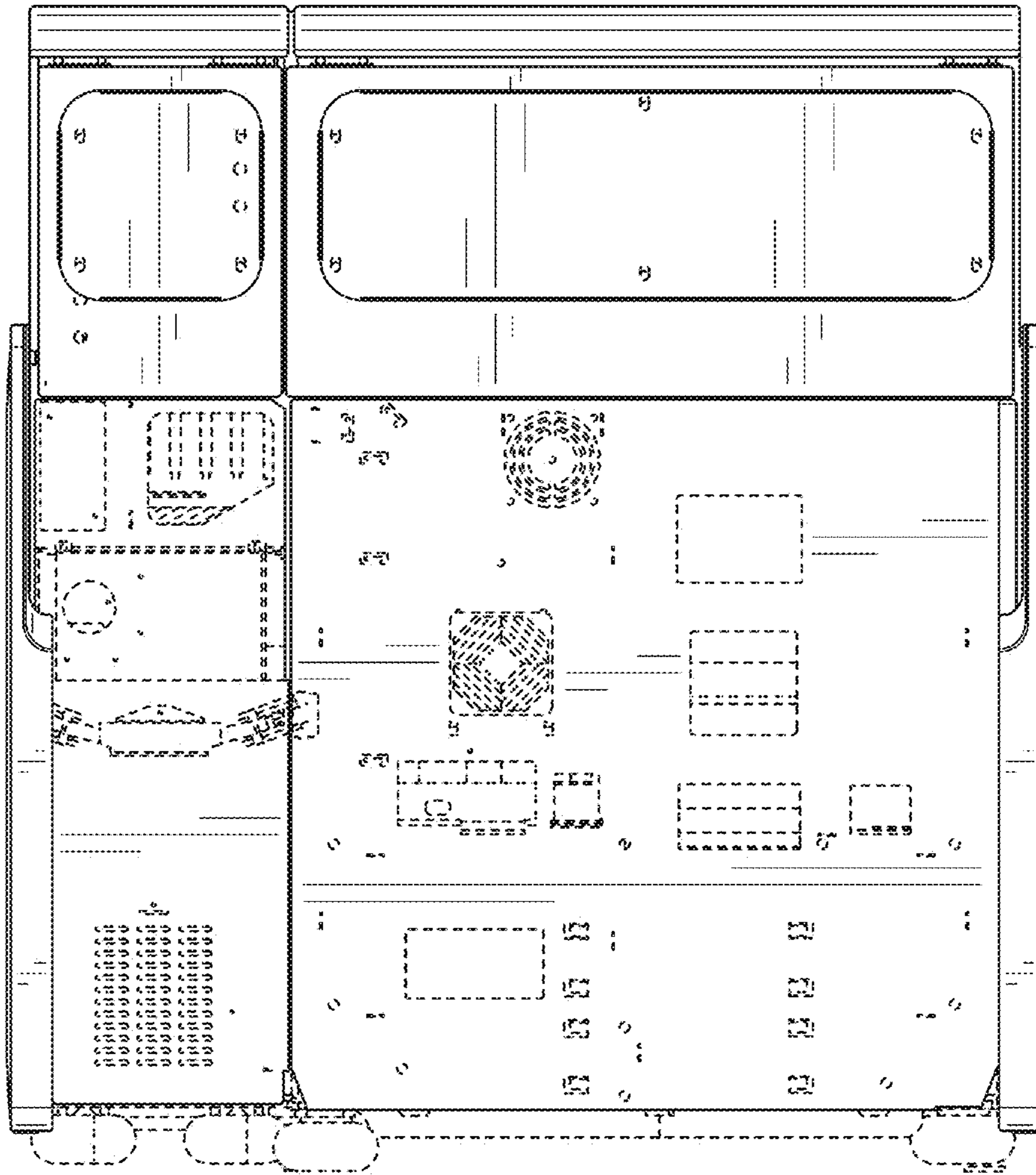


FIG. 2

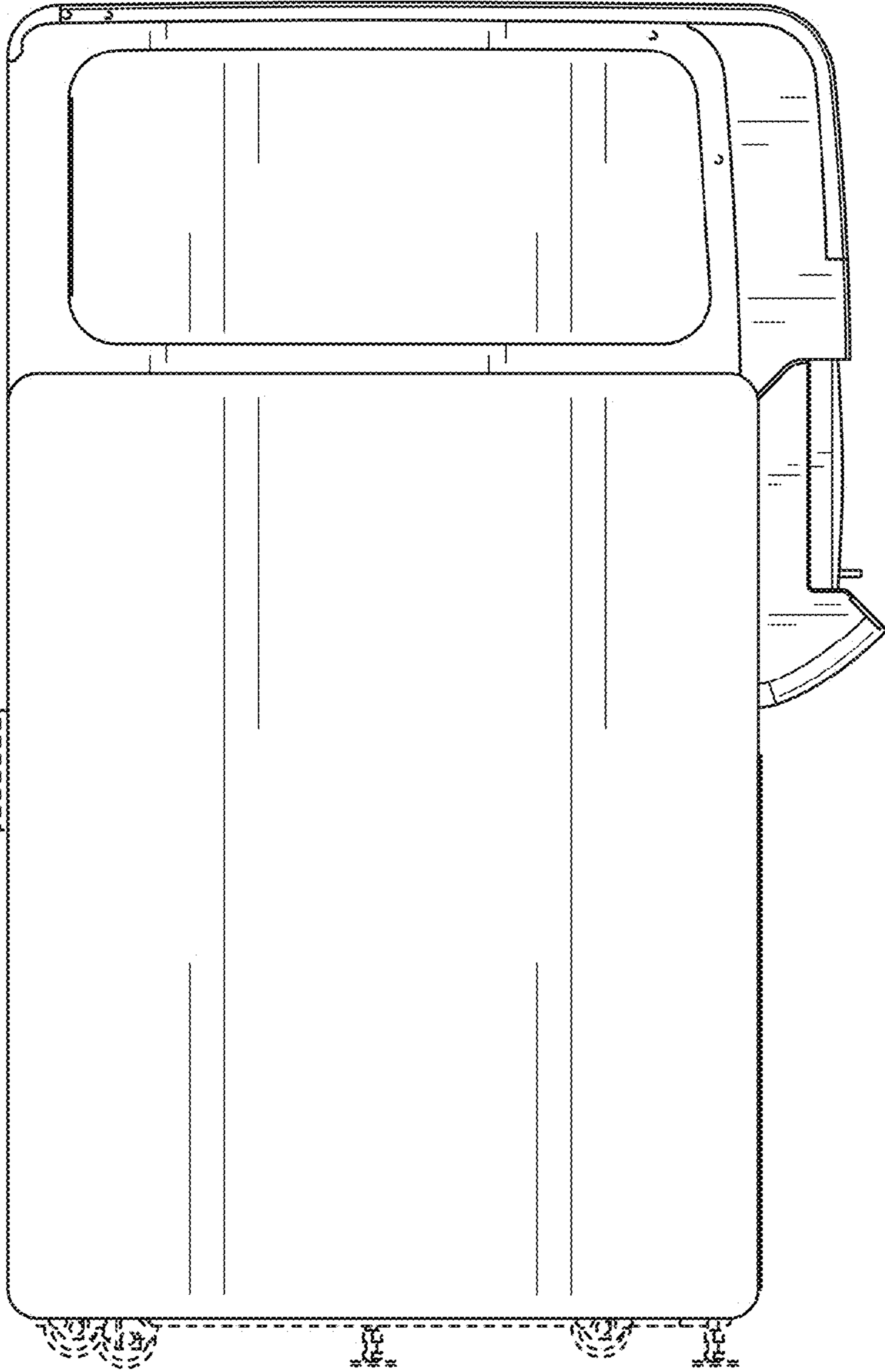


FIG. 3

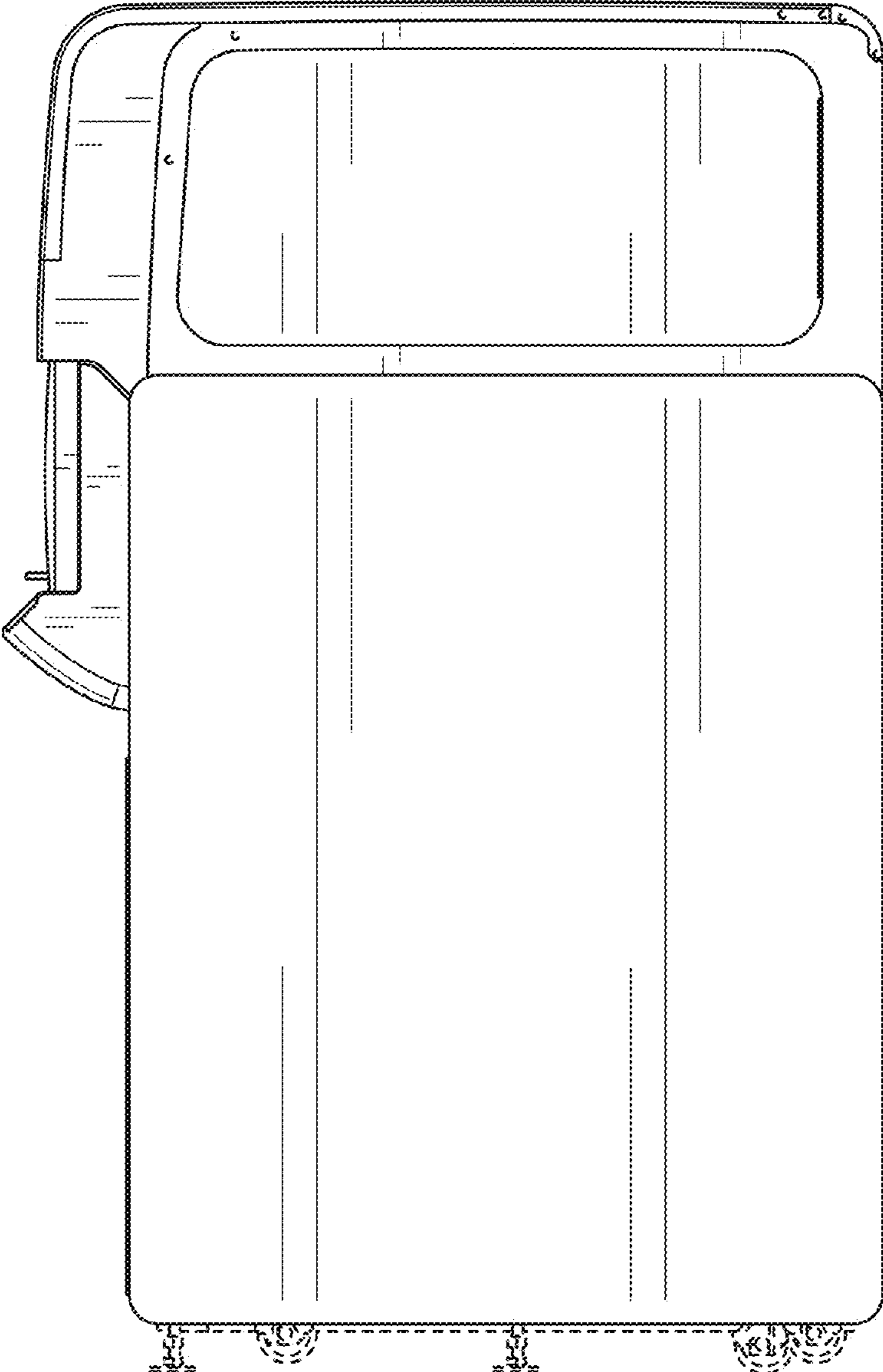


FIG. 4

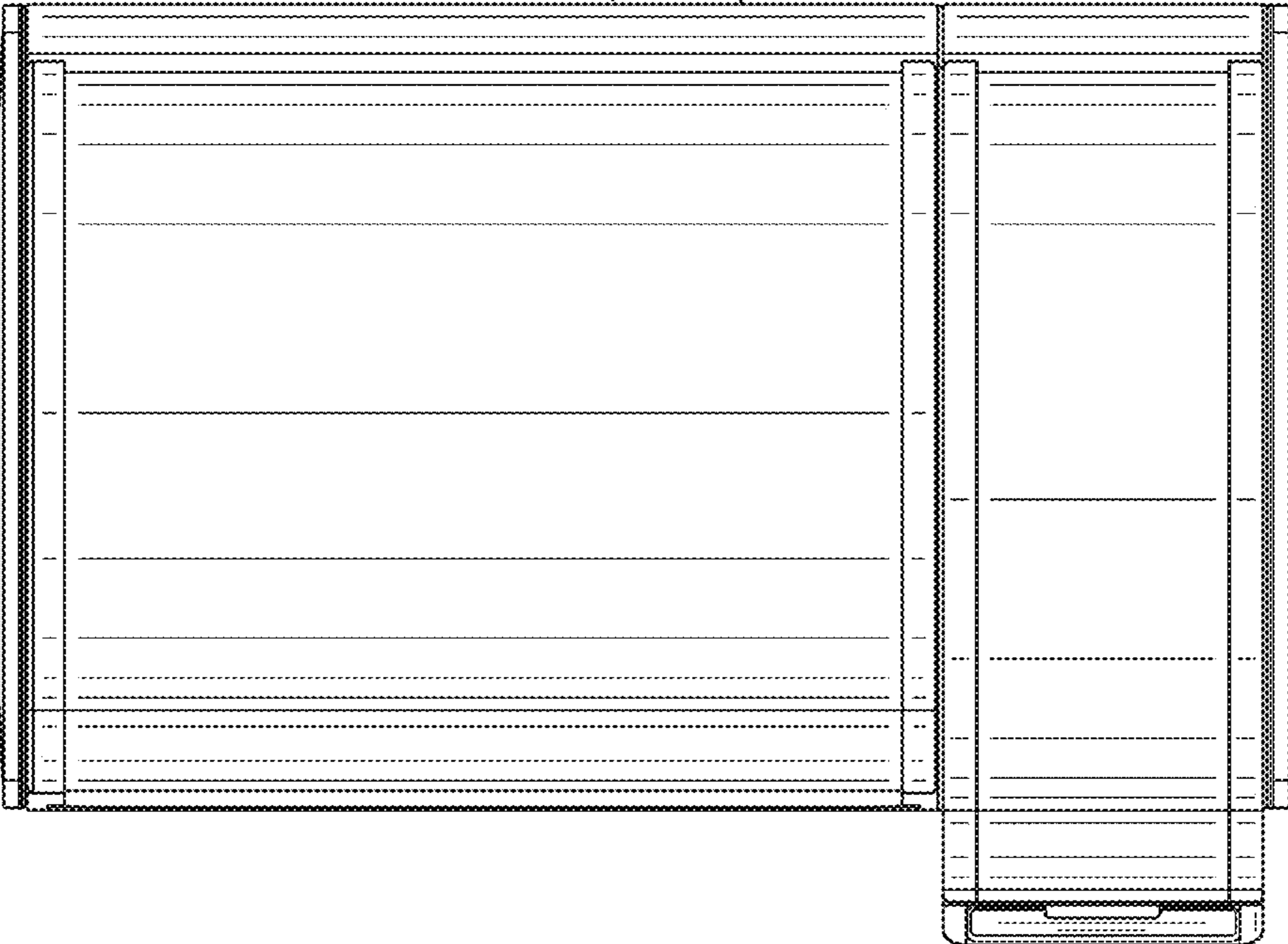


FIG. 5

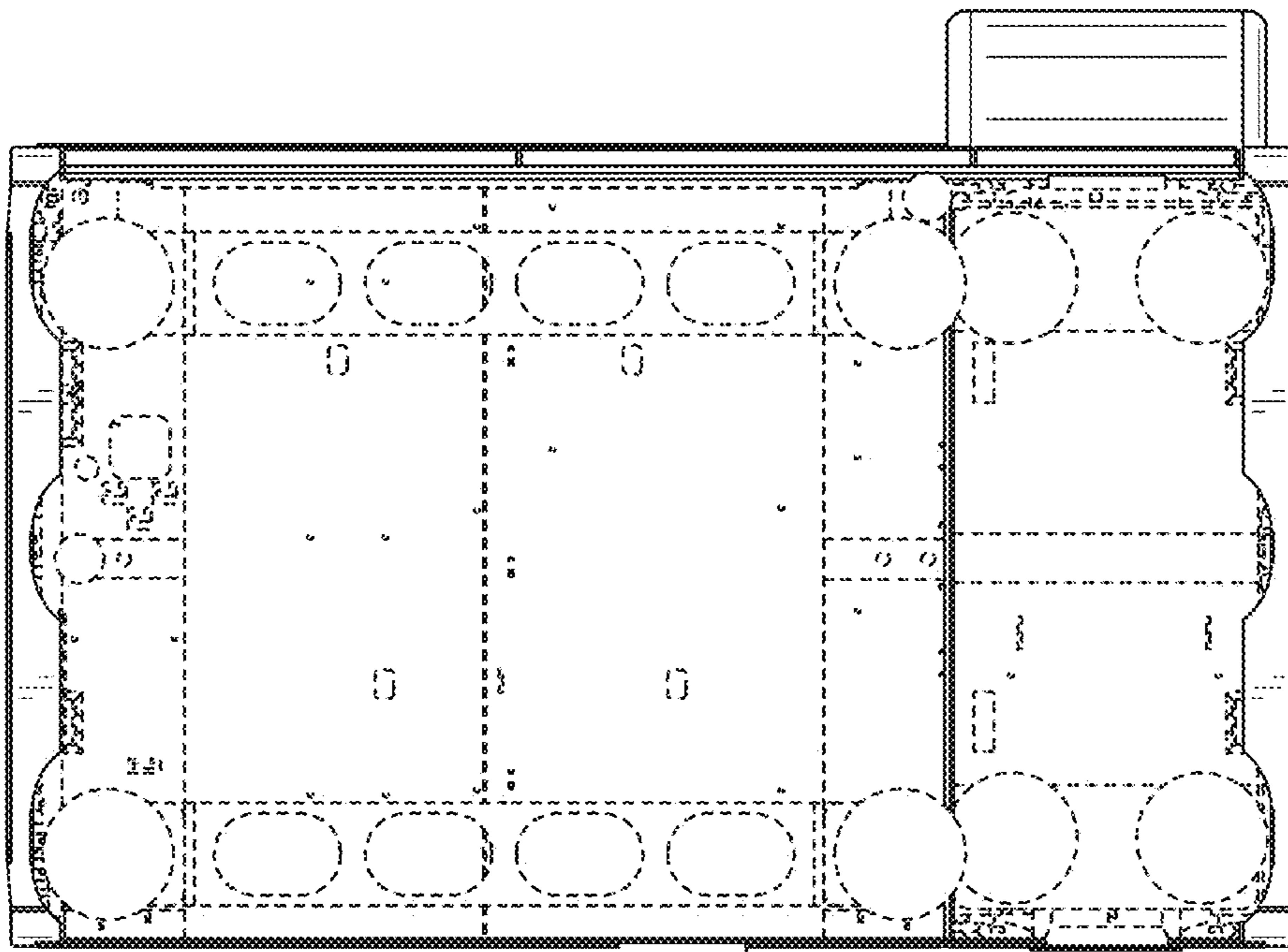


FIG. 6

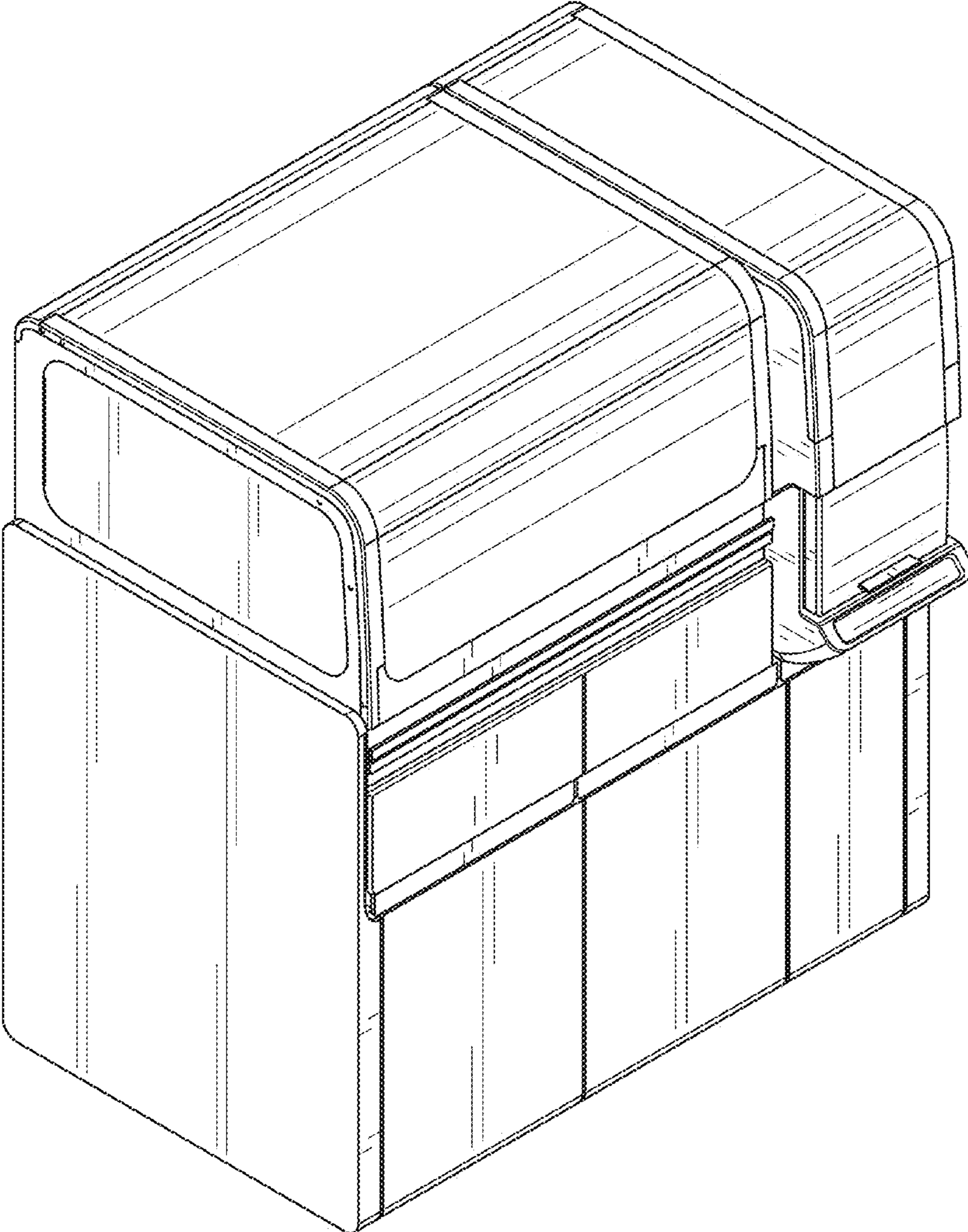


FIG. 7

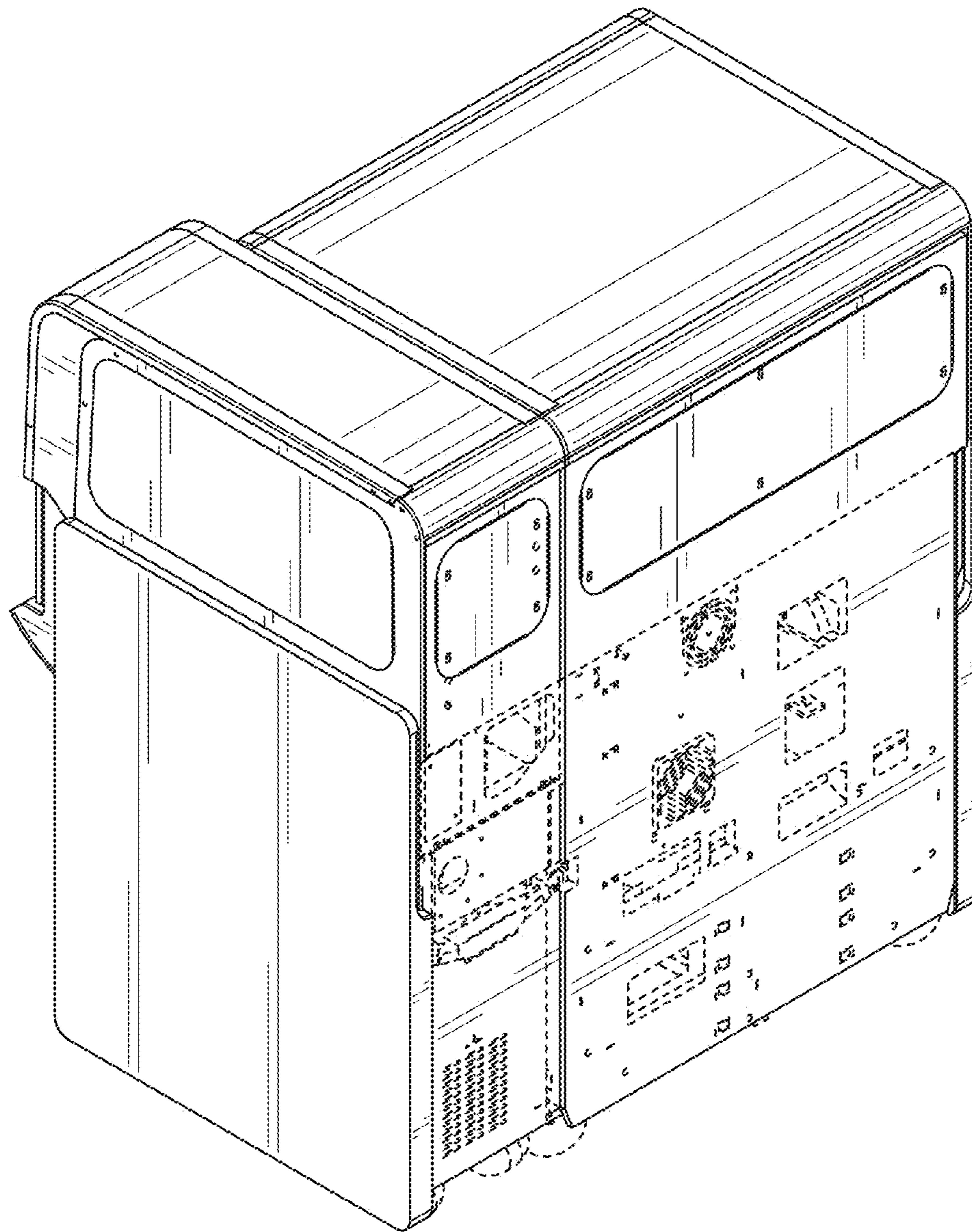


FIG. 8



FIG. 9

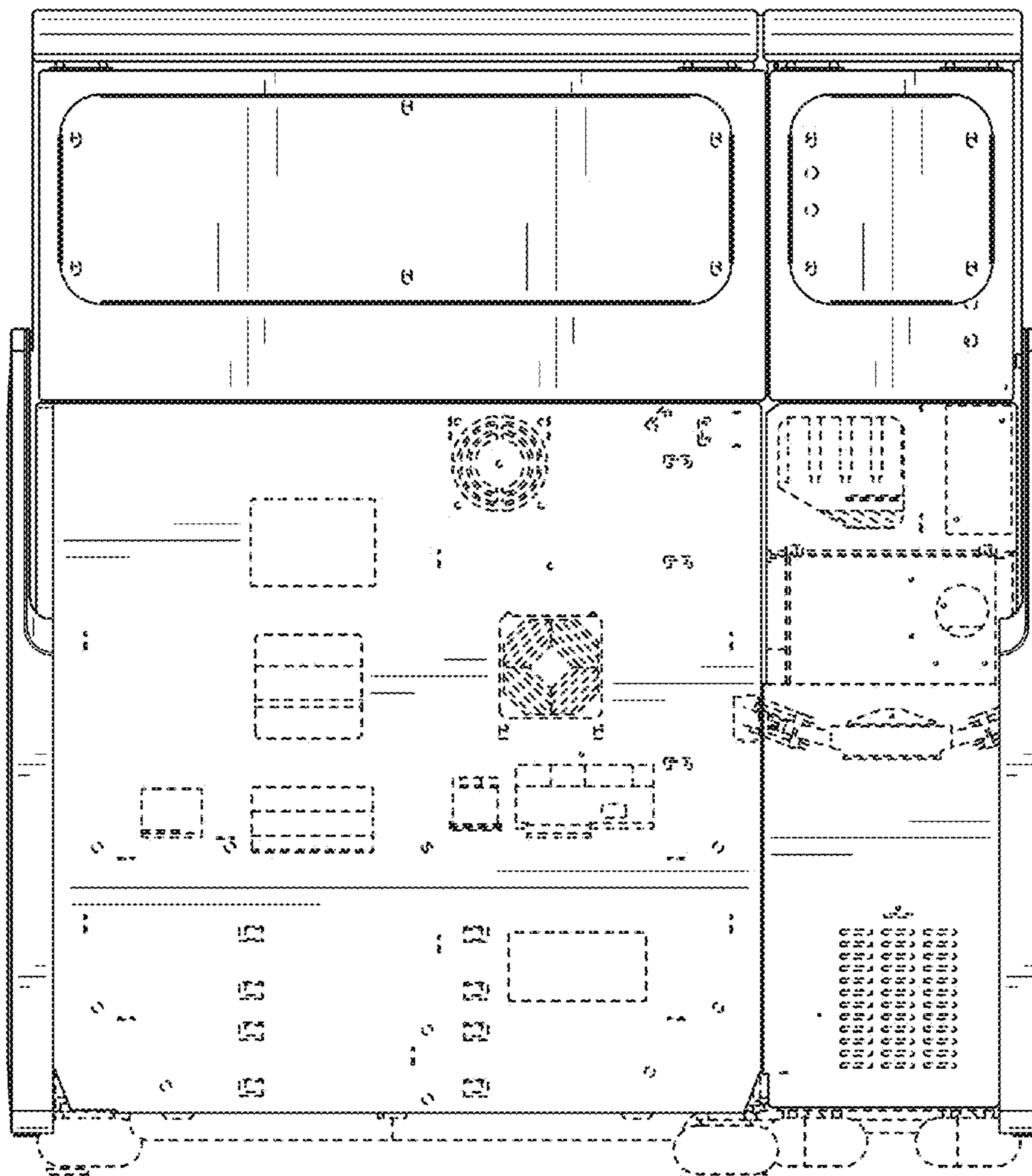


FIG. 10

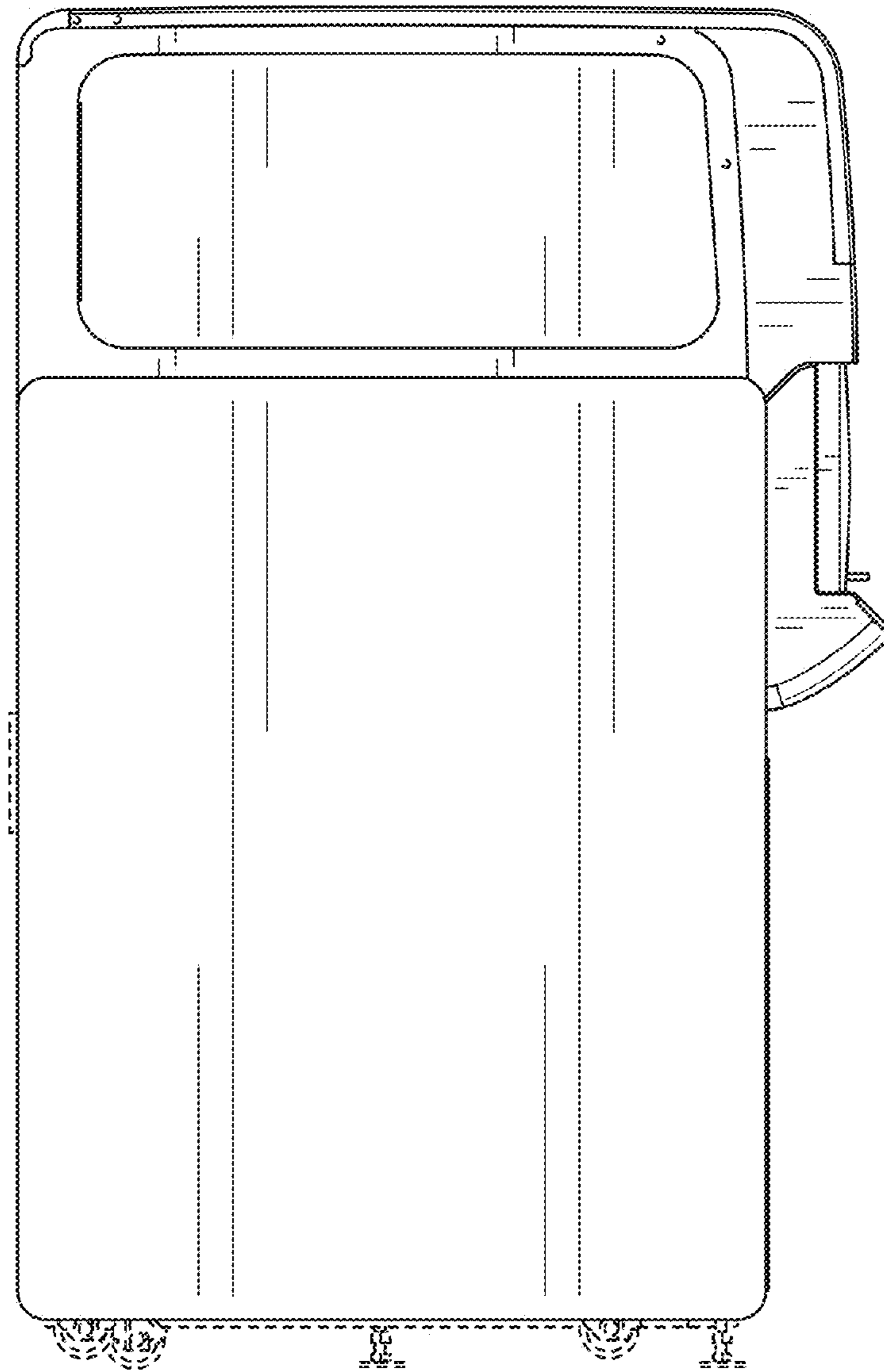


FIG. 11

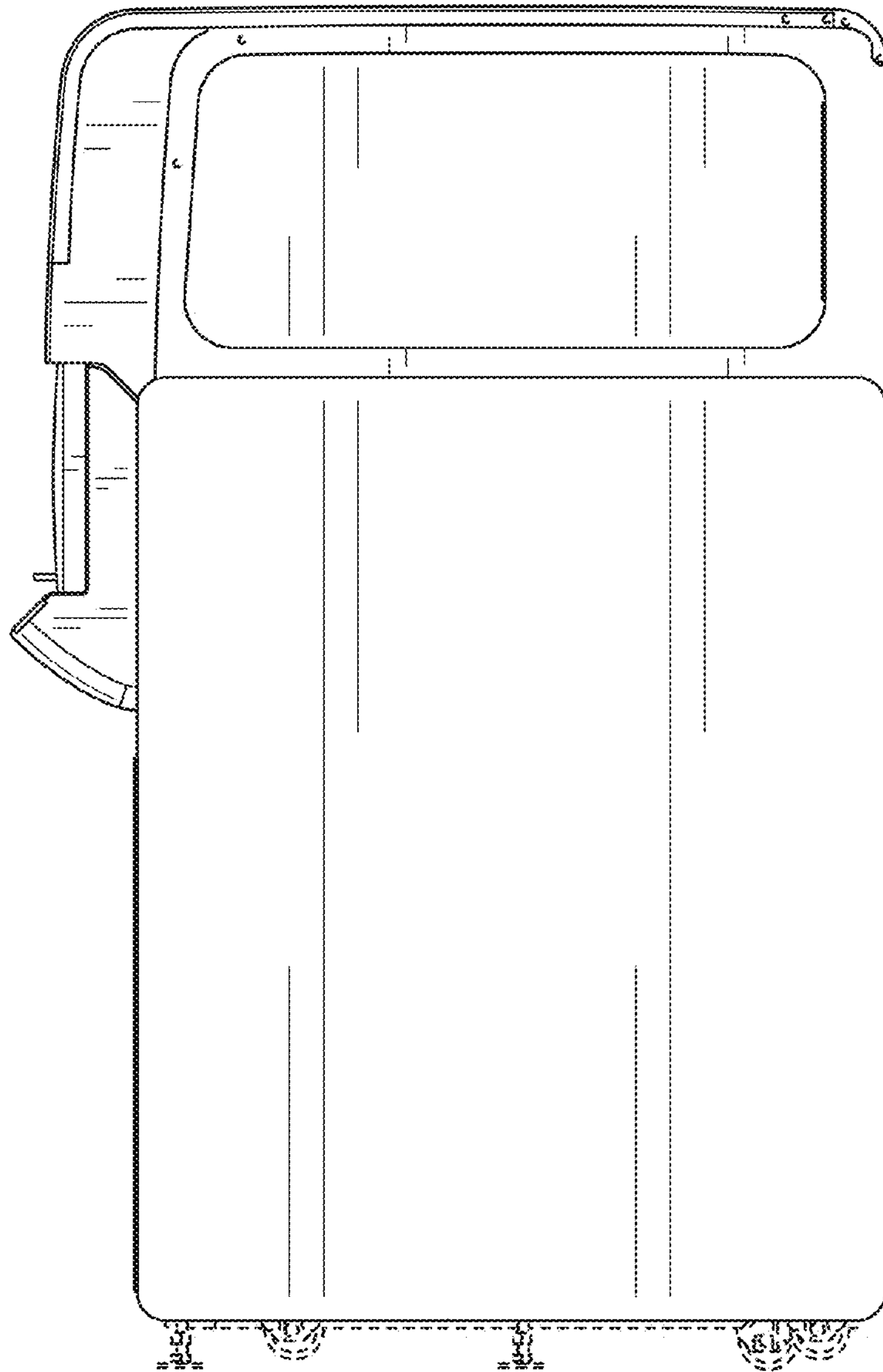


FIG. 12

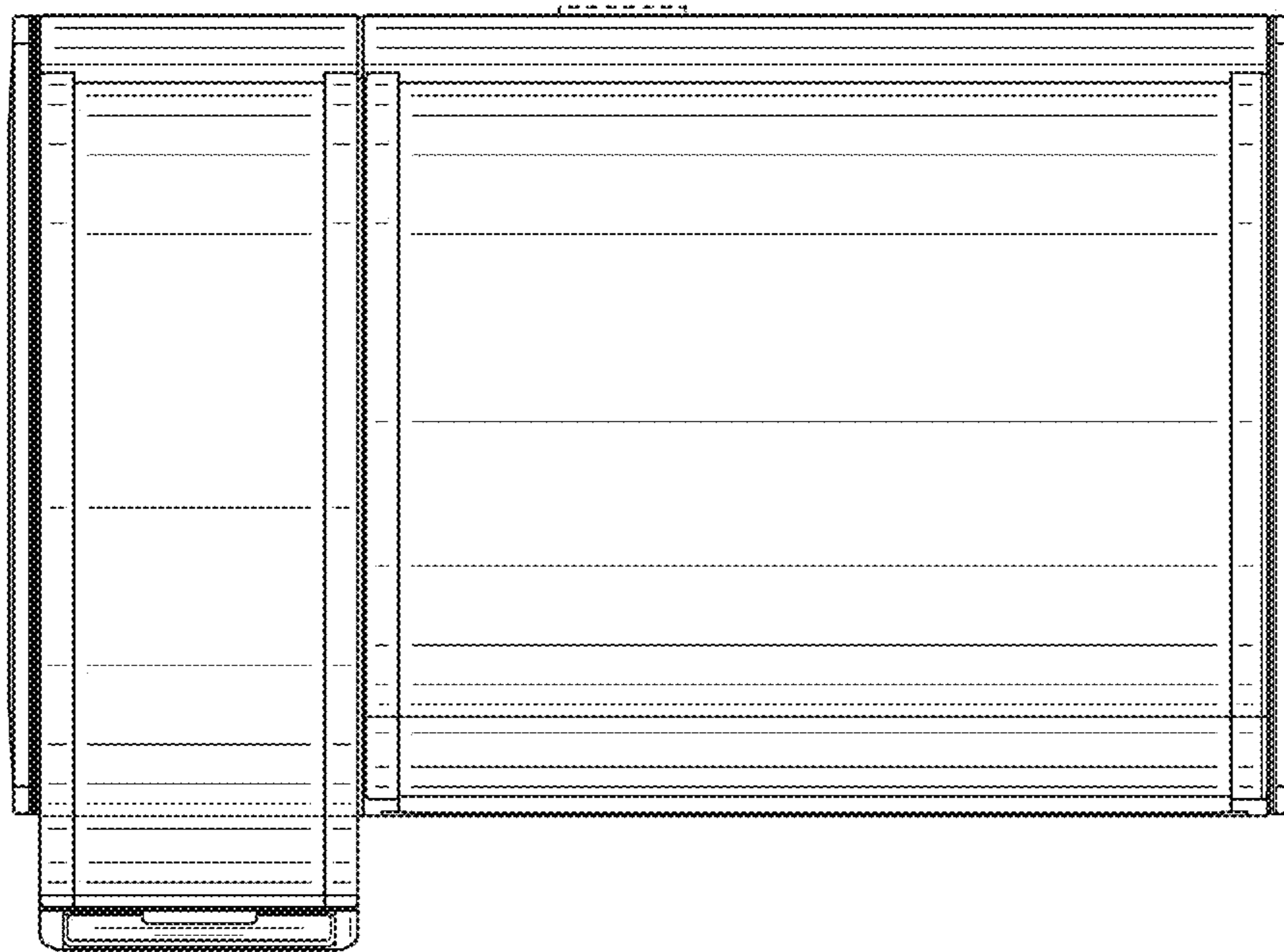


FIG. 13

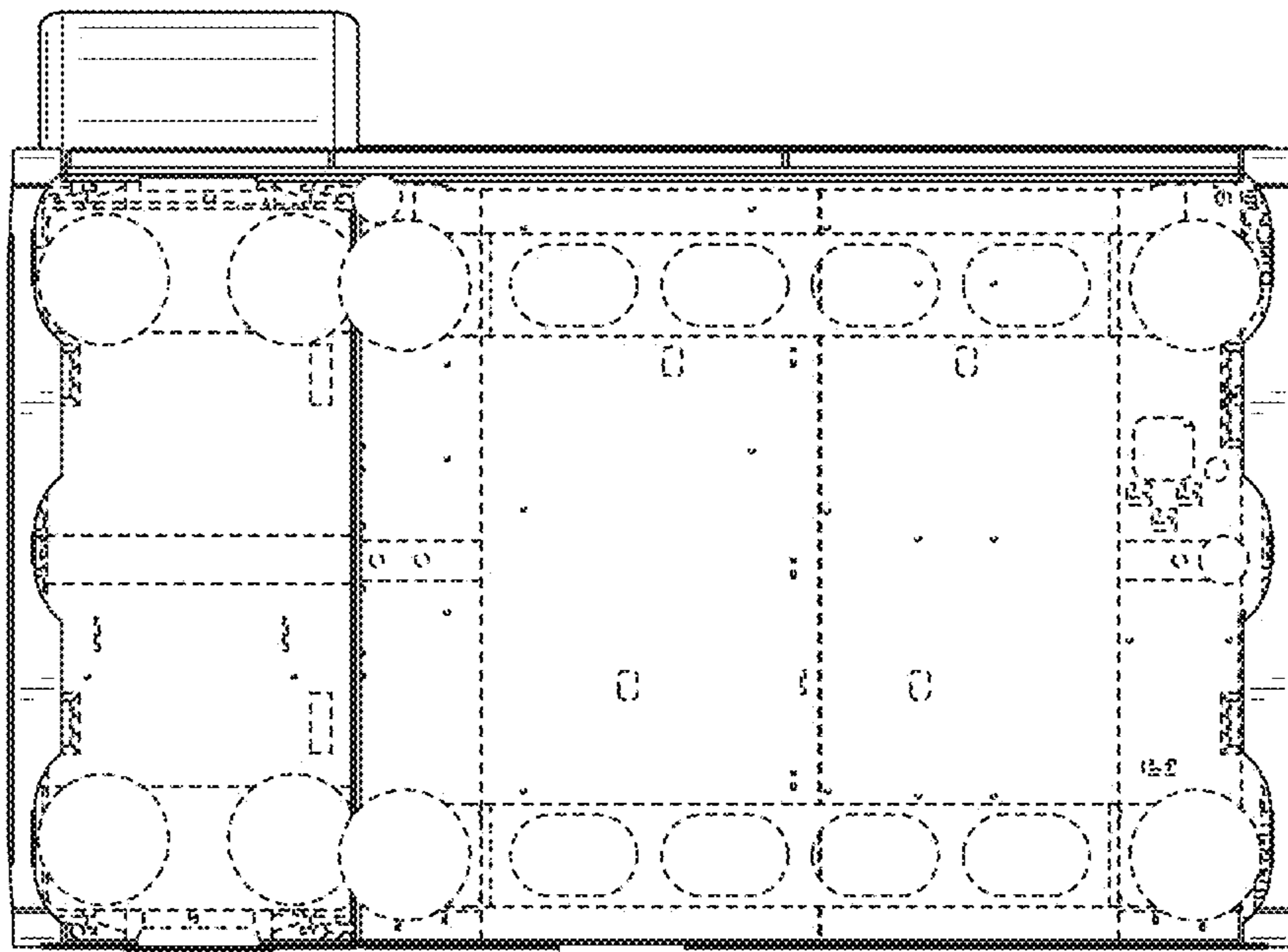


FIG. 14

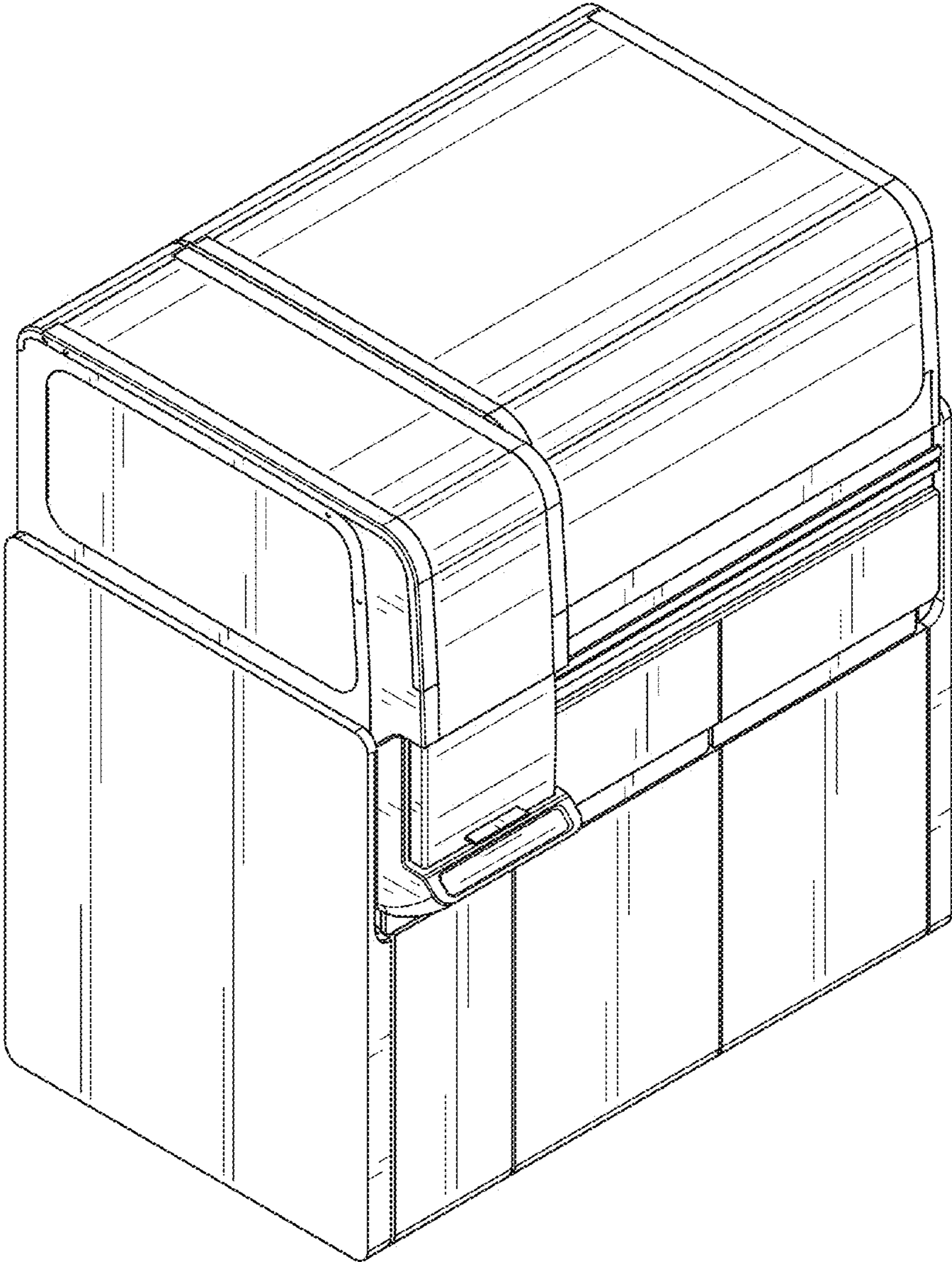


FIG. 15

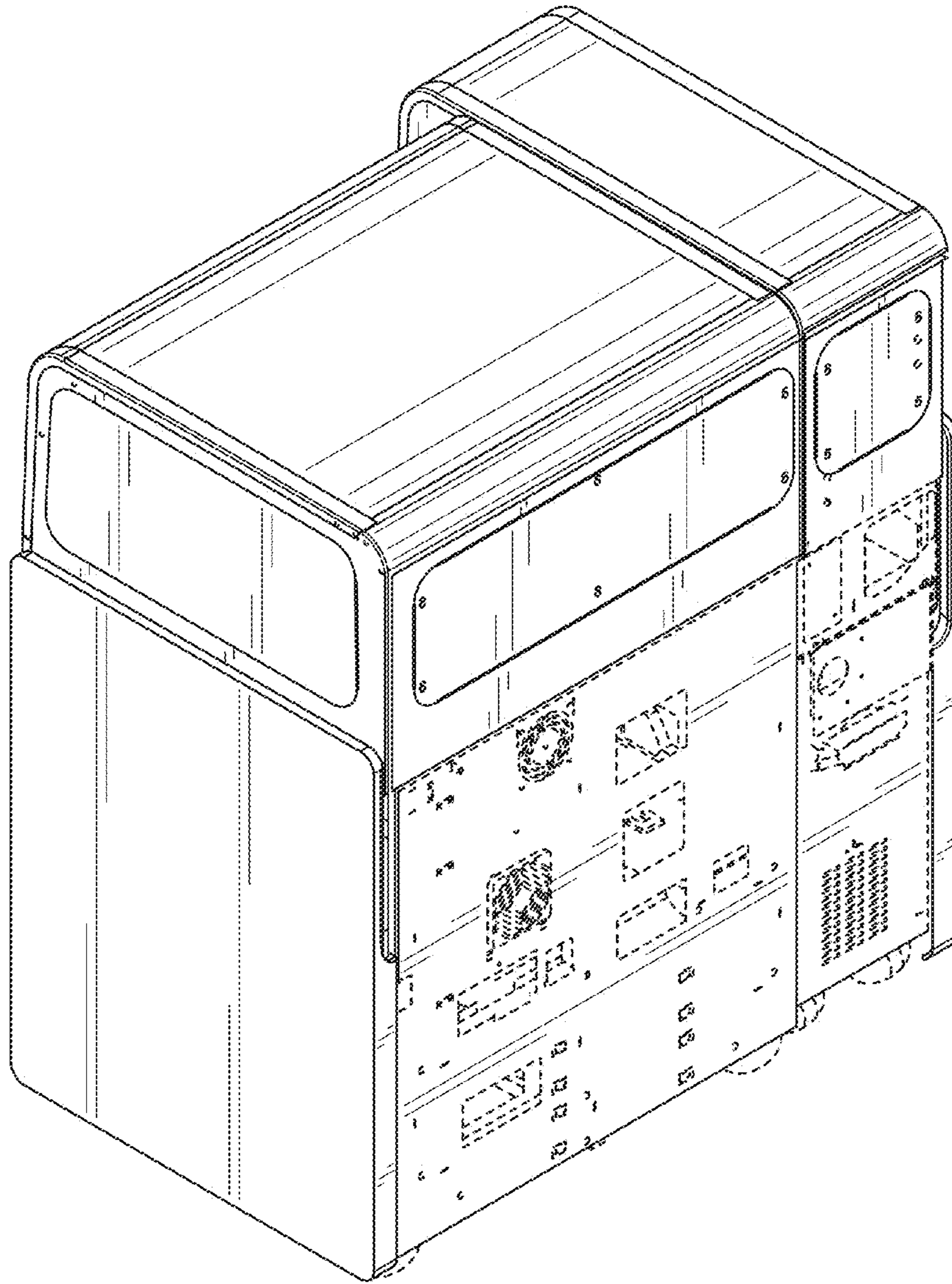


FIG. 16