



US00D724750S

(12) **United States Design Patent**
Taylor

(10) **Patent No.:** **US D724,750 S**
(45) **Date of Patent:** **** Mar. 17, 2015**

(54) **SELF-MASSAGE ROLLER WITH BOTTLE**

(71) Applicant: **Lani Taylor**, Santa Monica, CA (US)

(72) Inventor: **Lani Taylor**, Santa Monica, CA (US)

(**) Term: **14 Years**

(21) Appl. No.: **29/494,246**

(22) Filed: **Jun. 18, 2014**

(51) **LOC (10) Cl.** **28-03**

(52) **U.S. Cl.**
USPC **D24/211**

(58) **Field of Classification Search**
CPC A61H 19/30; A61H 19/32; A61H 19/34;
A61H 19/40; A61H 19/44; A61H 19/50;
A61H 19/00; A61H 2201/0153; A61H
2201/0207; A61H 2201/0263; A61H
2201/0111; A61H 2201/1253; A61H
2205/082; A61H 2205/085; A61H 15/0085
USPC D24/200, 211, 212, 213, 214, 215;
601/114, 120, 121, 124, 125, 130, 131,
601/134, 135, 136, 137; D14/218; D9/719
See application file for complete search history.

(56) **References Cited**

U.S. PATENT DOCUMENTS

3,548,814	A	*	12/1970	Montgomery et al.	601/118
4,109,649	A	*	8/1978	Iyomasa	601/121
D256,841	S	*	9/1980	Corbett et al.	D24/211
4,378,007	A	*	3/1983	Kachadourian	601/121
D285,117	S	*	8/1986	Snyder	D24/211
D361,132	S	*	8/1995	Lee	D24/200
D598,562	S	*	8/2009	Chen	D24/211

D613,349	S	*	4/2010	Meti	D21/662
D637,244	S	*	5/2011	Davis et al.	D21/662
D647,980	S	*	11/2011	Davis et al.	D21/662
D660,450	S	*	5/2012	Johnson	D24/215
D674,107	S	*	1/2013	Prudent et al.	D24/211
D682,436	S	*	5/2013	Lowsky	D24/194
D693,934	S	*	11/2013	Lin	D24/215
D713,050	S	*	9/2014	Kao	D24/211

* cited by examiner

Primary Examiner — Sandra Snapp

(74) *Attorney, Agent, or Firm* — Cisló & Thomas, LLP

(57) **CLAIM**

The ornamental design for a self-massage roller with bottle, as shown and described.

DESCRIPTION

FIG. 1 is a perspective view of a first embodiment of the self-massage roller with bottle.

FIG. 2 is a front view of the self-massage roller with bottle of FIG. 1. The rear view is identical to this front view.

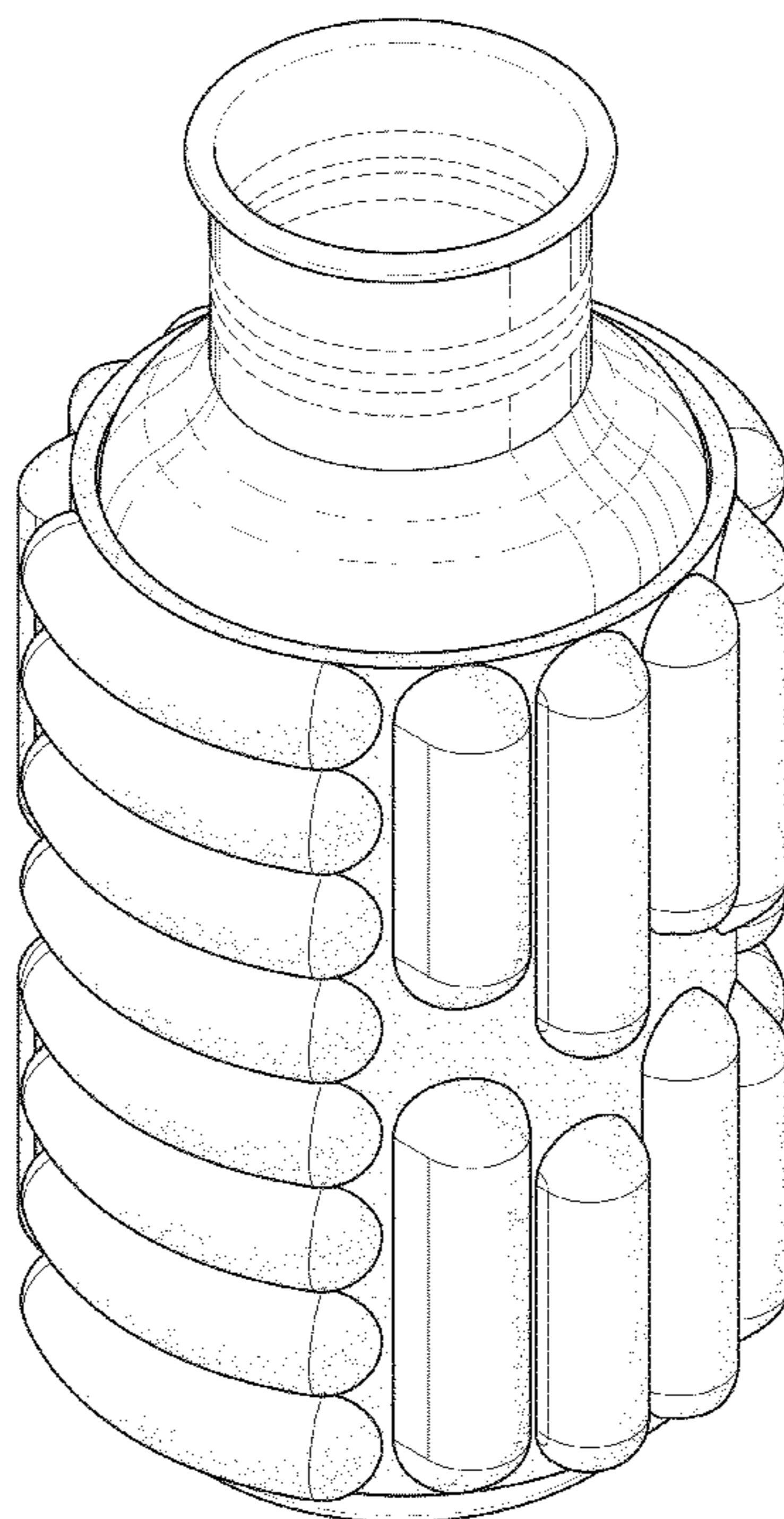
FIG. 3 is a right side view of the self-massage roller with bottle of FIG. 1. The left side view is identical to this right side view.

FIG. 4 is a top view of the self-massage roller with bottle of FIG. 1; and,

FIG. 5 is a bottom view of the self-massage roller with bottle of FIG. 1.

The portions of the self-massage roller with bottle shown in broken lines form no part of the claimed design.

1 Claim, 5 Drawing Sheets



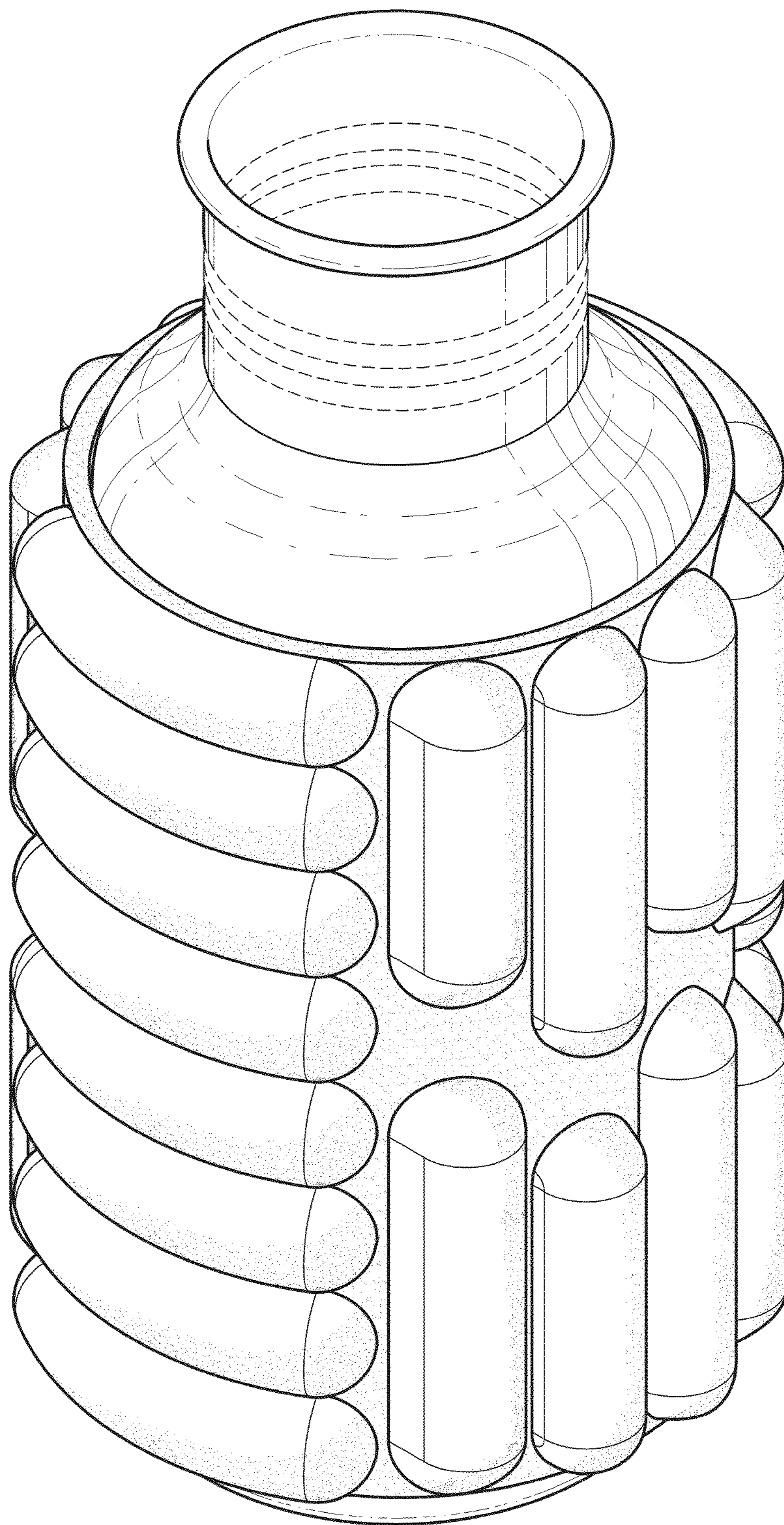


FIG. 1

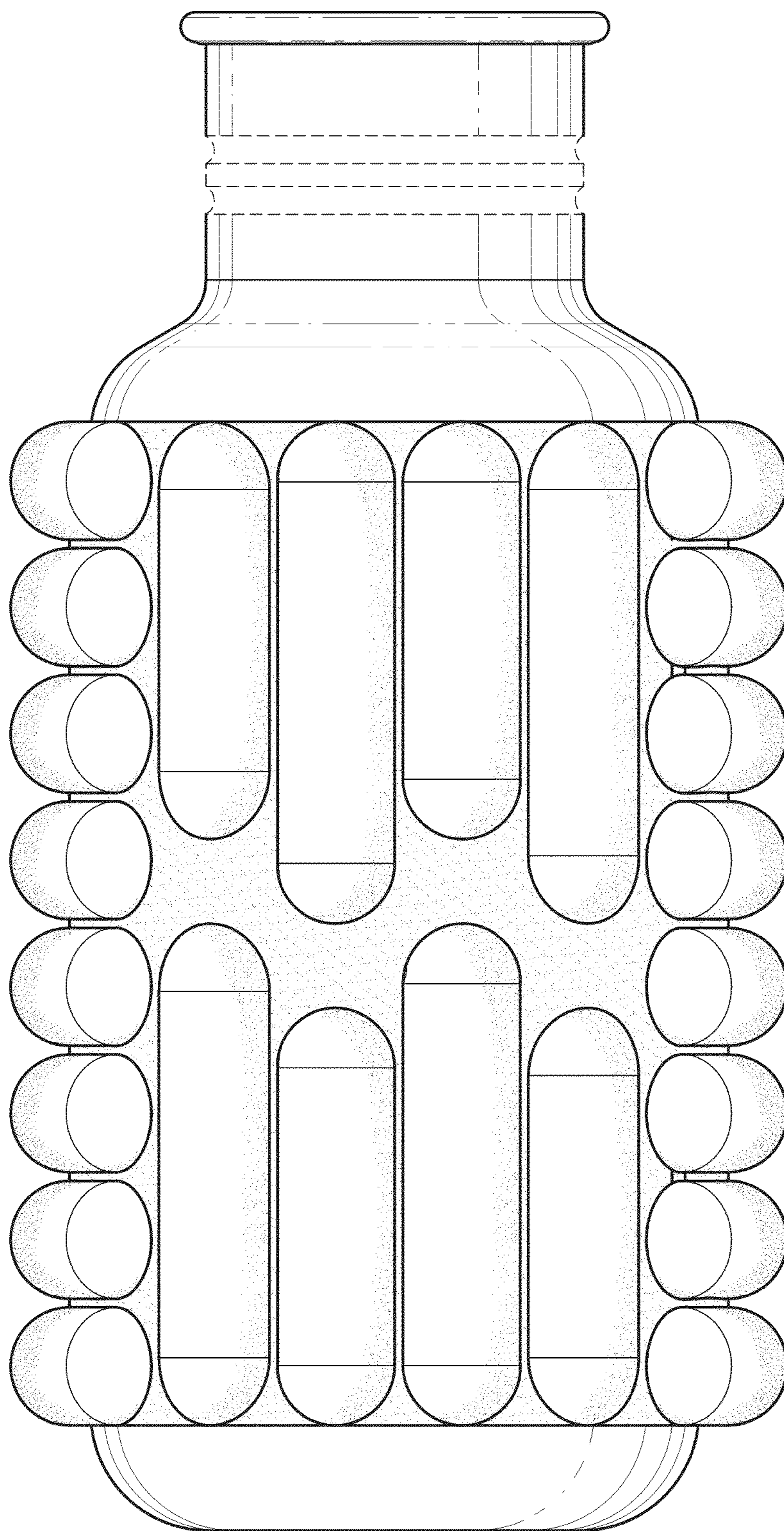


FIG. 2

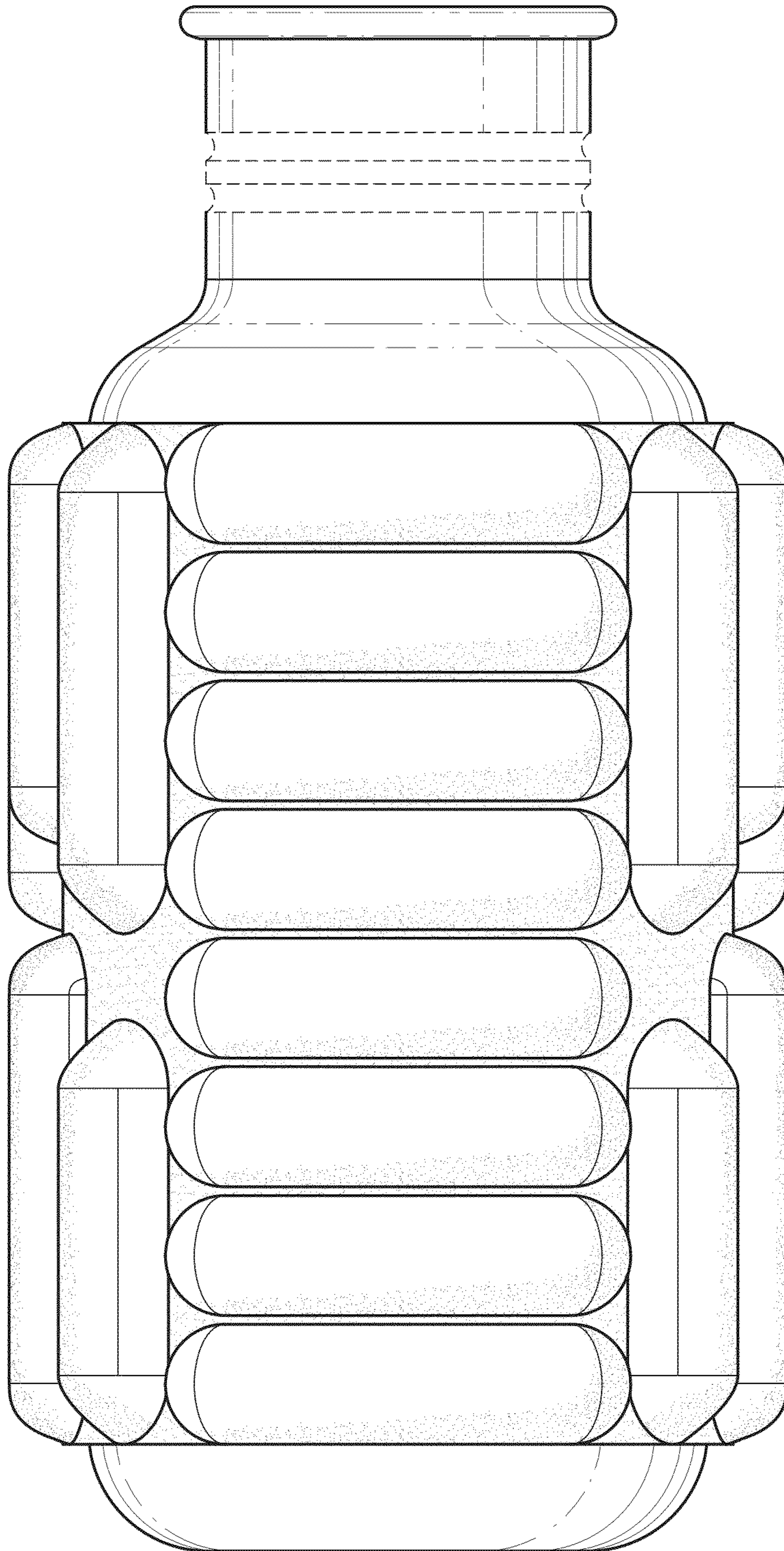


FIG. 3

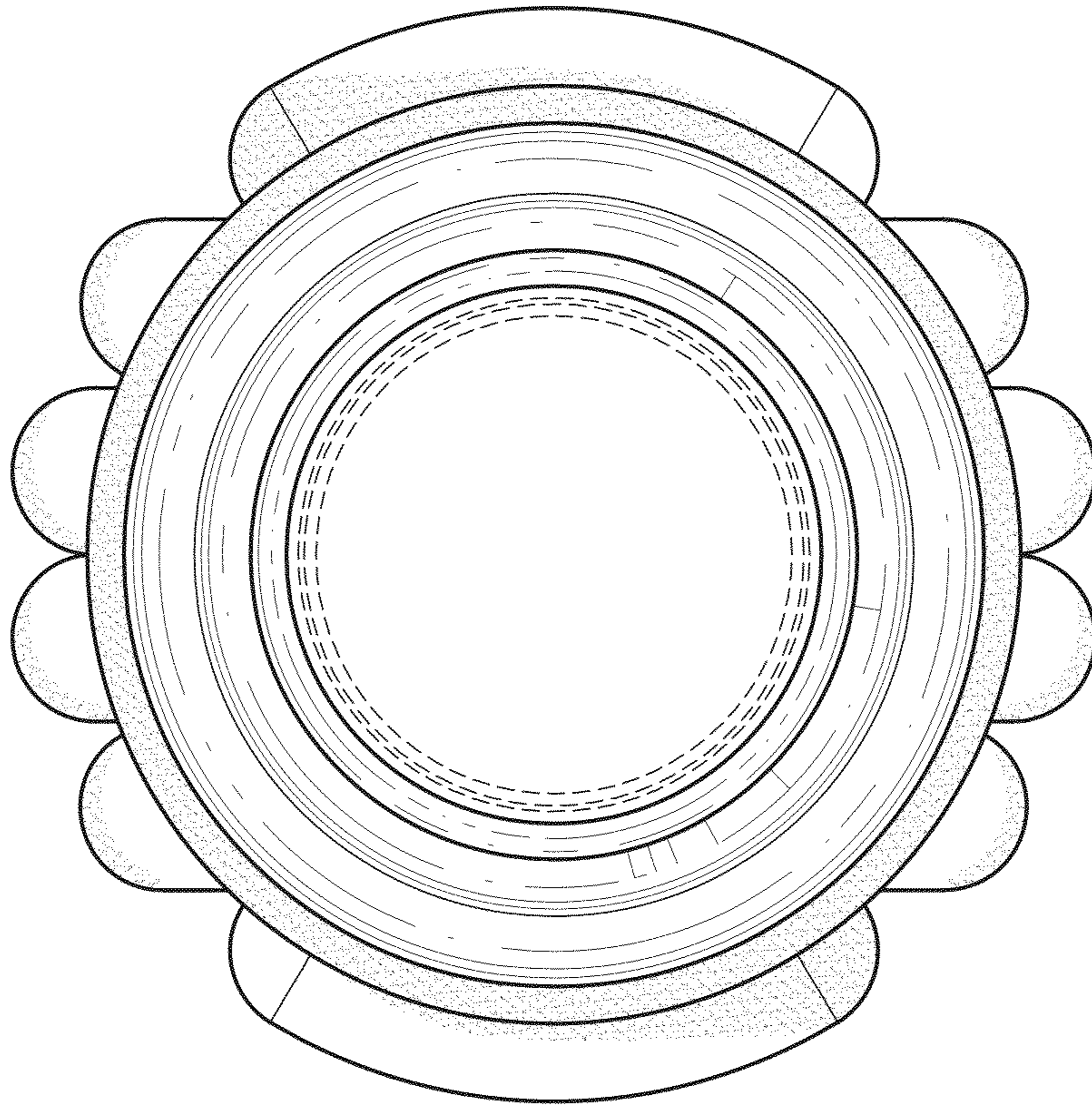


FIG. 4

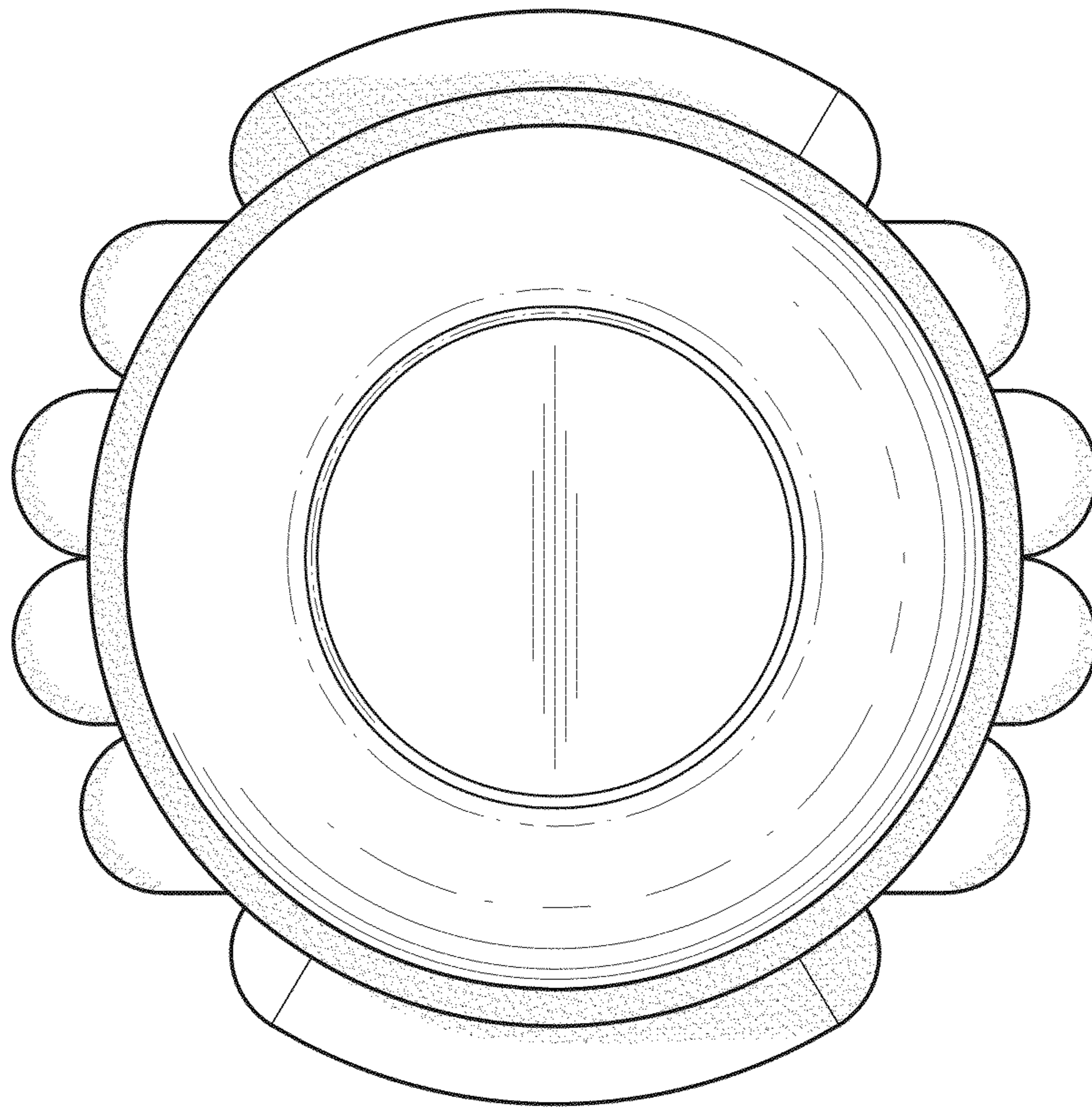


FIG. 5