

US00D724749S

(12) **United States Design Patent**
Koby et al.

(10) **Patent No.:** **US D724,749 S**
(45) **Date of Patent:** **** Mar. 17, 2015**

(54) **HANDLE FOR AN APPLICATOR OF AN APPARATUS FOR PERSONAL SKIN TREATMENT**

(75) Inventors: **Refael Gil Koby, Kochav-Yair (IL); Gilead Bar-Ilan, Ein-Ayala (IL)**

(73) Assignee: **Syneron Medical Ltd**

(**) Term: **14 Years**

(21) Appl. No.: **29/387,277**

(22) Filed: **Mar. 11, 2011**

(51) **LOC (10) Cl.** **28-03**

(52) **U.S. Cl.**
USPC **D24/209**

(58) **Field of Classification Search**
USPC D24/210, 209, 200, 158, 176; 362/555, 362/545, 800, 294, 249, 267; D26/2, 29, D26/37, 39, 41, 104; 606/2-4, 16, 131; 607/88-95; 433/29; 601/15
See application file for complete search history.

(56) **References Cited**

U.S. PATENT DOCUMENTS

D361,619 S *	8/1995	Phleps et al.	D24/158
D365,880 S *	1/1996	Tiefenthal et al.	D24/186
D539,916 S *	4/2007	Baldachini	D24/215
D545,433 S *	6/2007	Messerly et al.	D24/158
D556,332 S *	11/2007	Han	D24/200
D593,684 S *	6/2009	Kapadya	D24/200
7,572,124 B2 *	8/2009	Cipolla et al.	433/29
D610,694 S *	2/2010	Baldacchini	D24/209

D618,813 S *	6/2010	Doo	D24/200
D635,271 S *	3/2011	Azar et al.	D24/200
D661,811 S *	6/2012	Ferguson et al.	D24/200
D669,183 S *	10/2012	Personnelli	D24/158
D671,637 S *	11/2012	Gebski et al.	D24/113

* cited by examiner

Primary Examiner — David Muller

(74) *Attorney, Agent, or Firm* — Smith Risley Tempel Santos LLC; Gregory Scott Smith

(57) **CLAIM**

The ornamental design for a handle for an applicator of an apparatus for personal skin treatment, as shown and described.

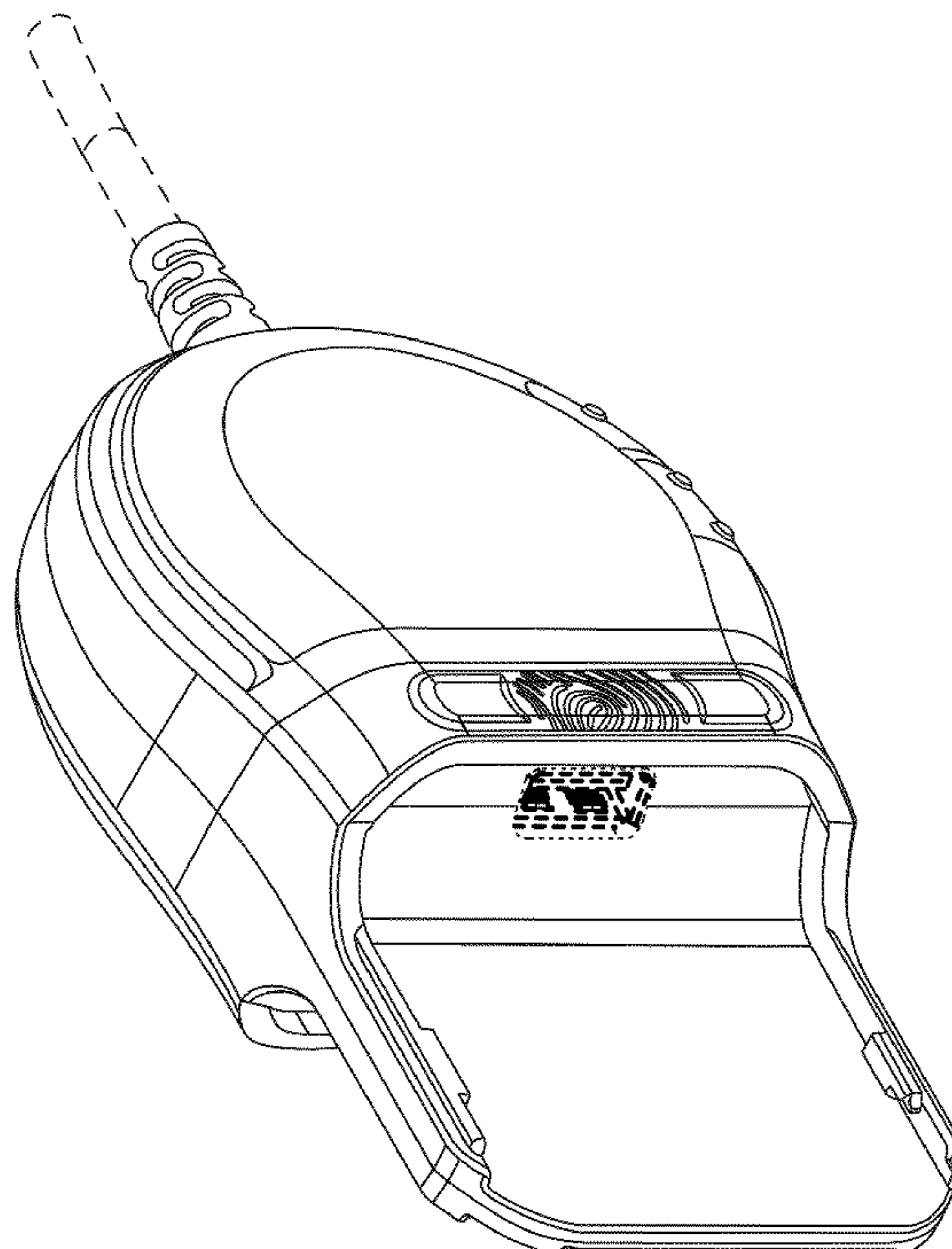
DESCRIPTION

This application is related to U.S. Design Application for Patent filed concurrently herewith and bearing the title of a Skin Illumination Module Attachment for an Applicator of an Apparatus for Personal Skin Treatment and identified by Ser. No. 29/387,278.

FIG. 1 is a perspective view of our new design of a handle for an applicator of an apparatus for personal skin treatment; FIG. 2 is a front elevation view thereof; FIG. 3 is a rear elevation view thereof; FIG. 4 is a left side elevation view thereof; FIG. 5 is a right side elevation view thereof; FIG. 6 is a top plan view thereof; and, FIG. 7 is a bottom plan view thereof.

The broken line showing of parts of the drawings is included for the purpose of illustrating use and environment and forms no part of the claimed design.

1 Claim, 6 Drawing Sheets



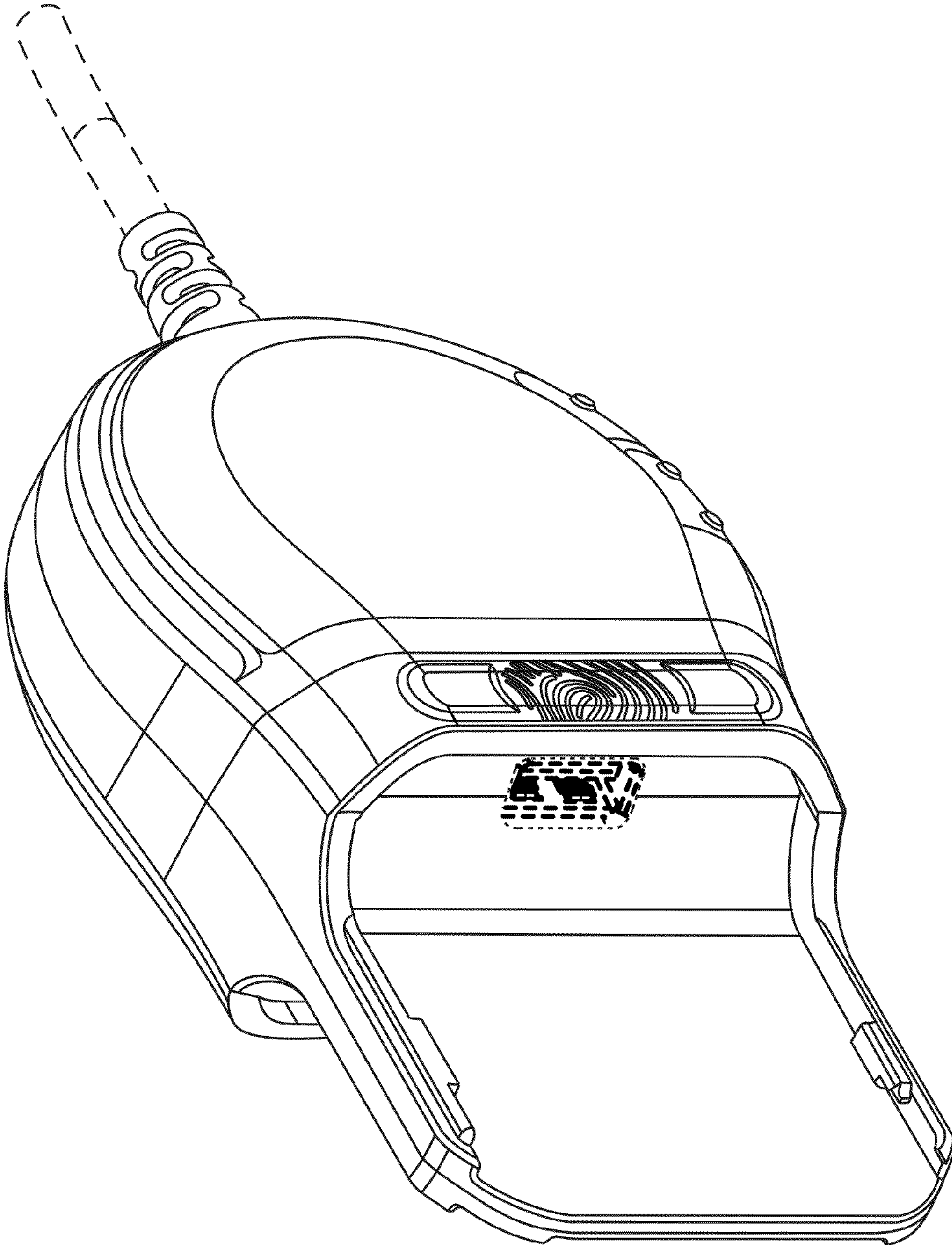


FIG. 1

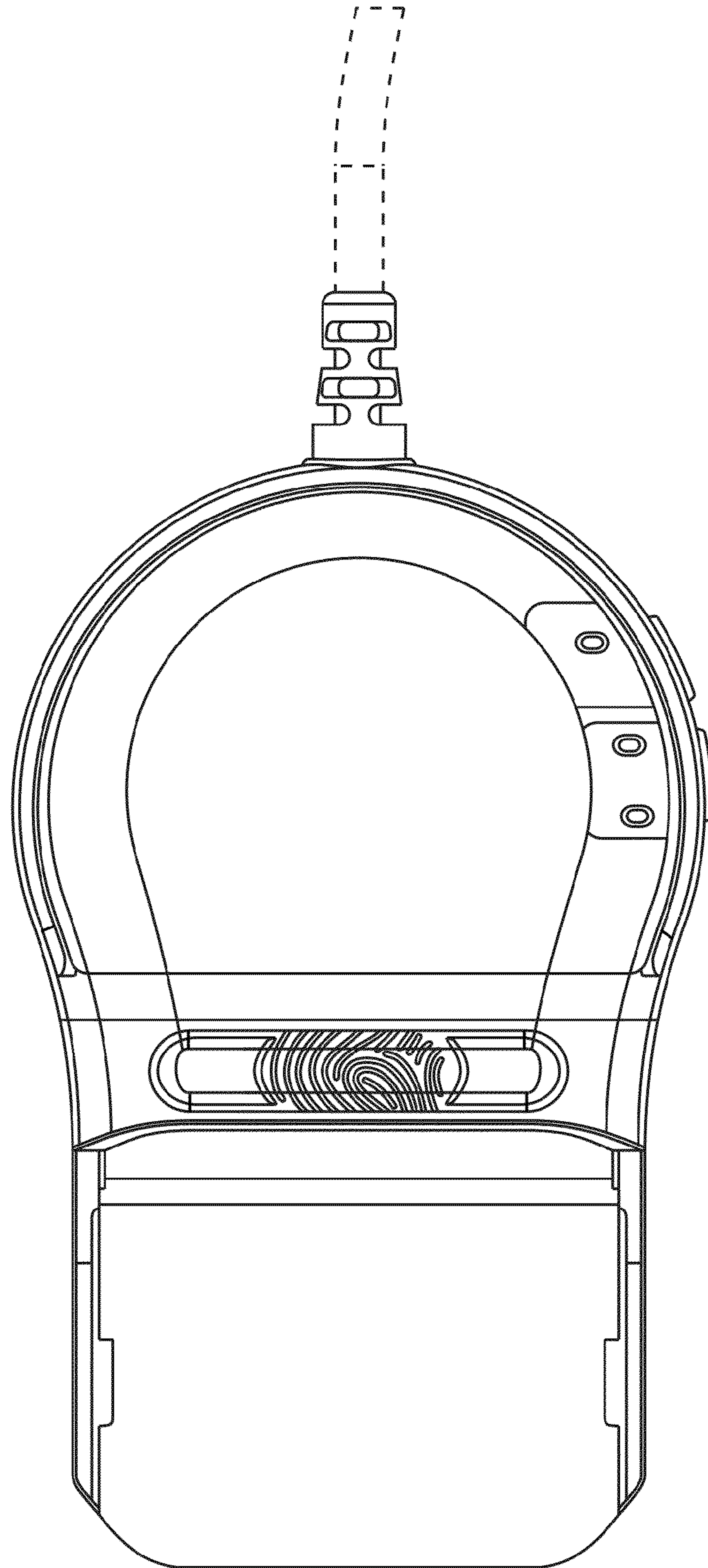


FIG. 2

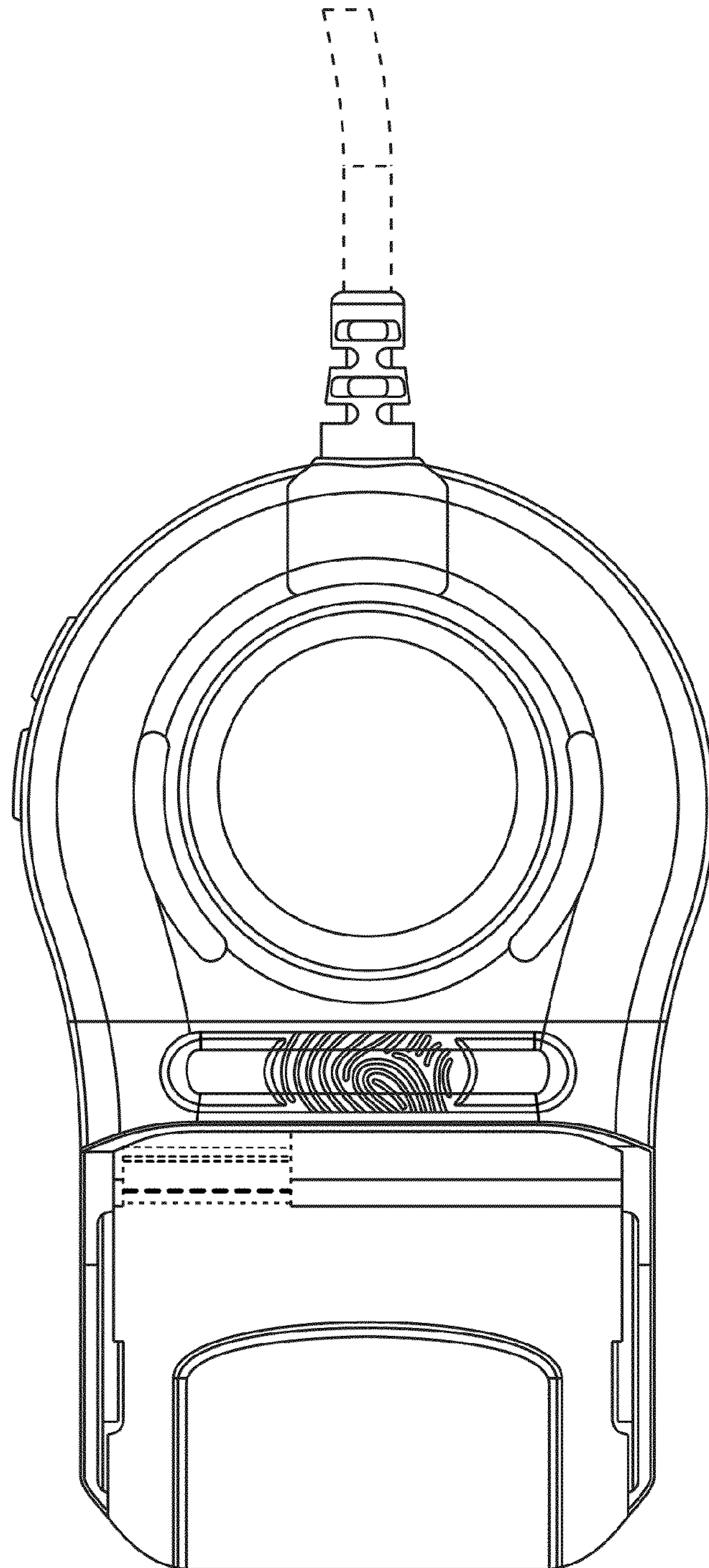


FIG. 3

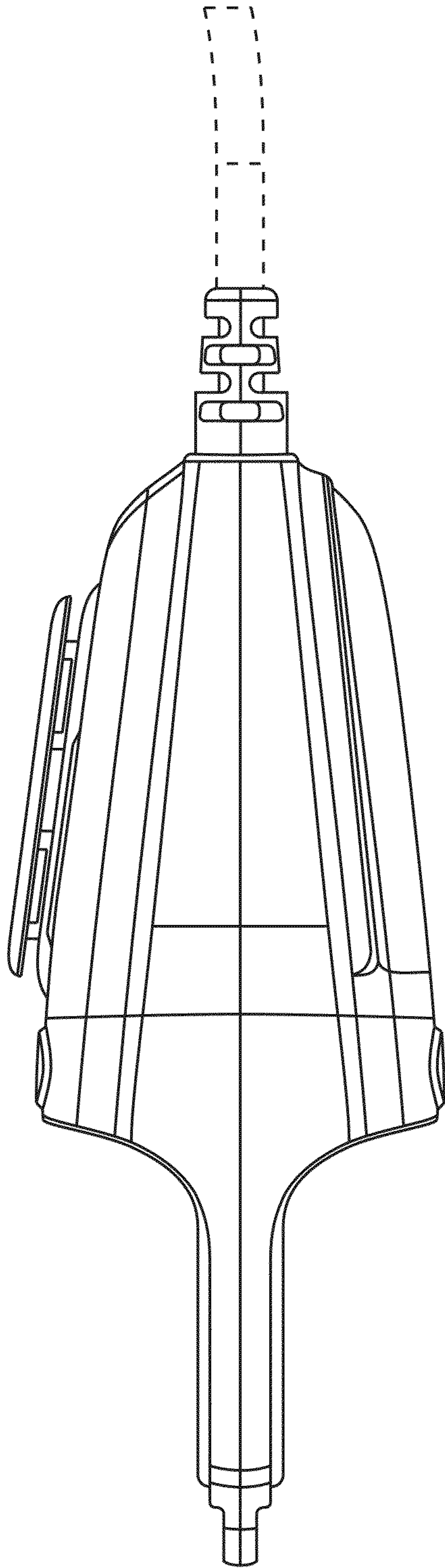


FIG. 4

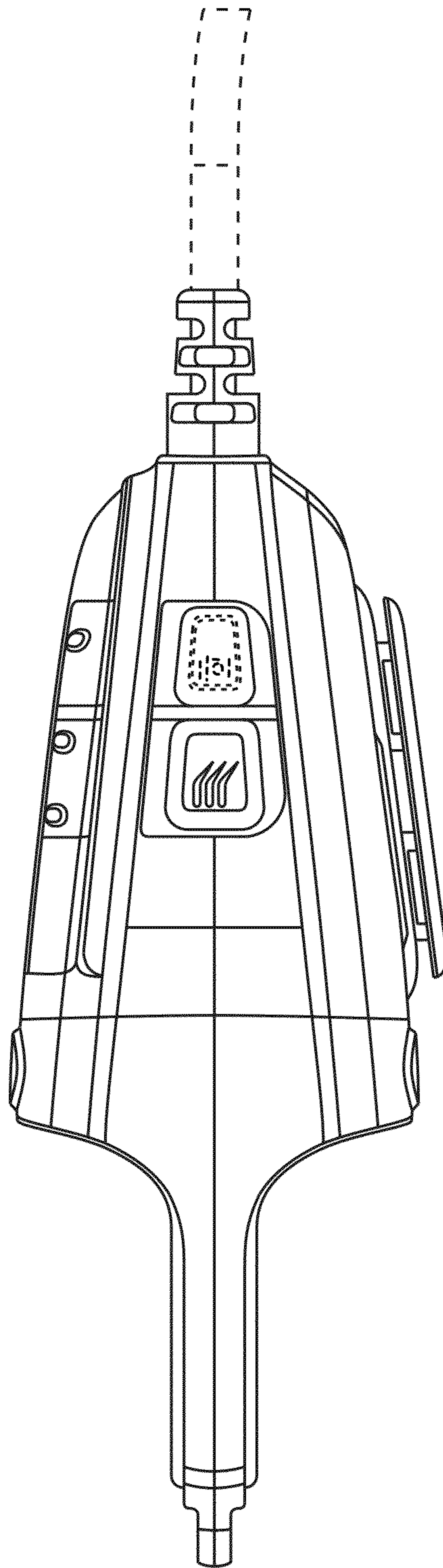


FIG. 5

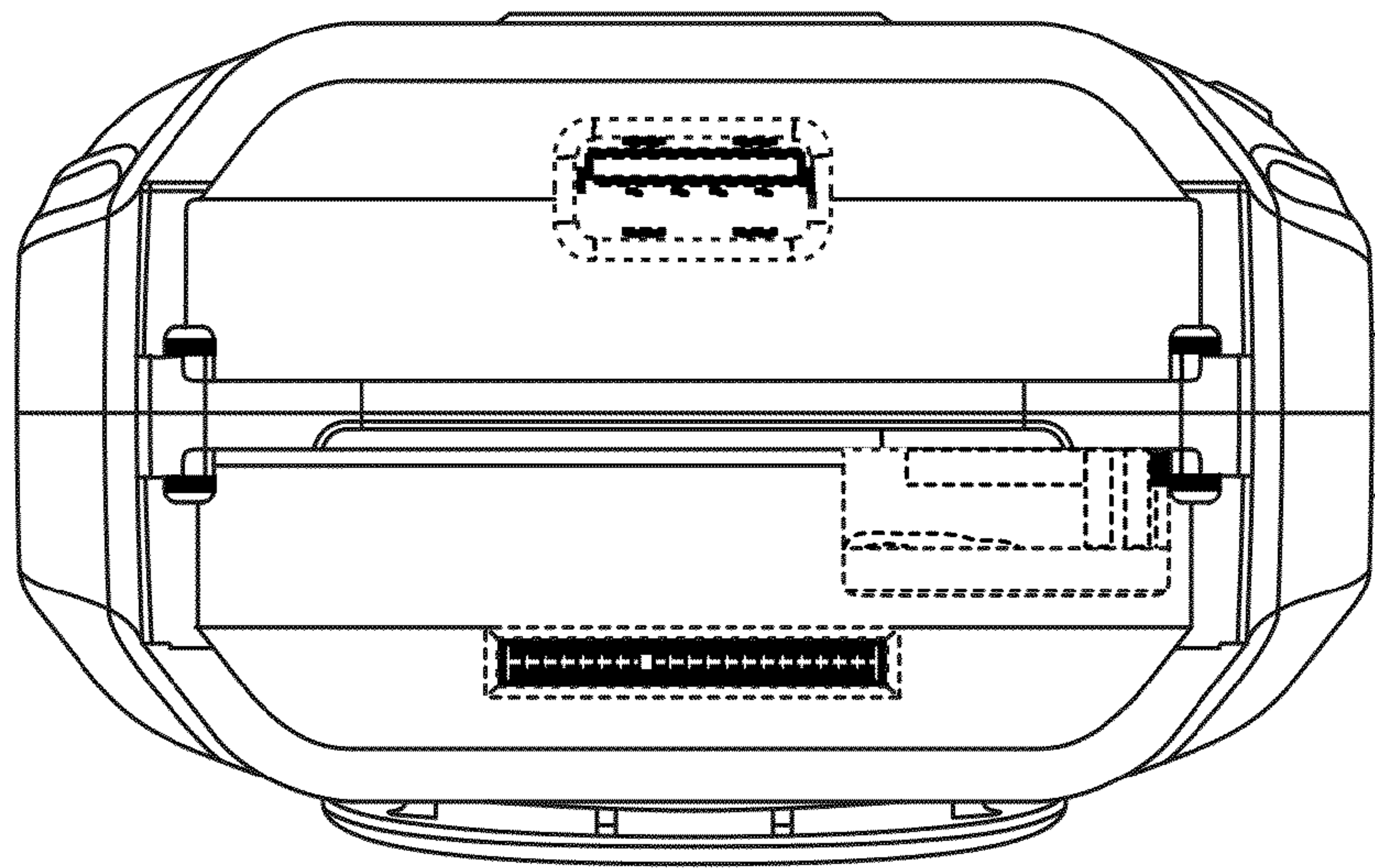


FIG. 7

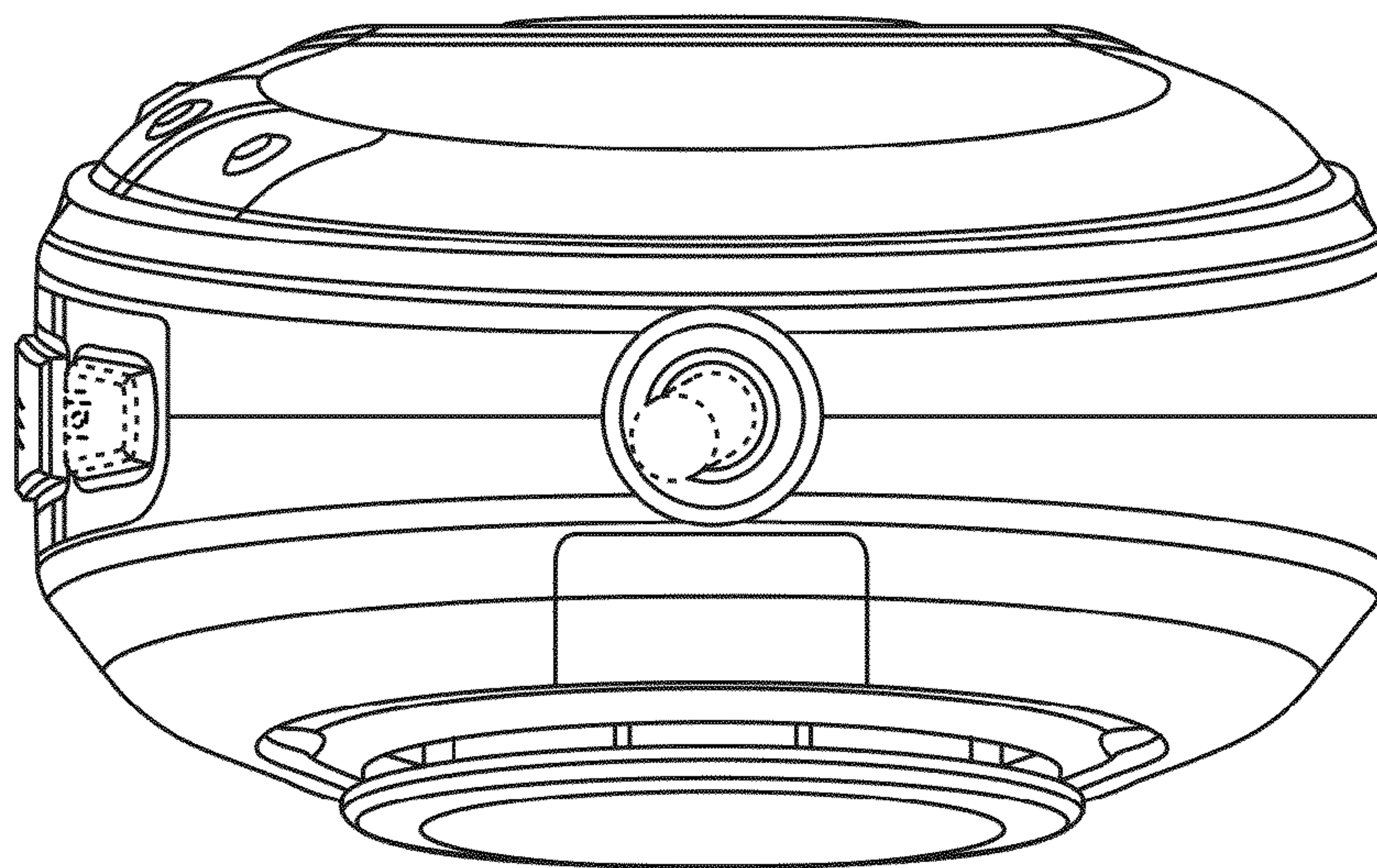


FIG. 6