



US00D724748S

(12) **United States Design Patent**
Roehrig

(10) **Patent No.:** **US D724,748 S**
(45) **Date of Patent:** **** Mar. 17, 2015**

- (54) **GLASS FEEDING BOTTLE**
- (71) Applicant: **MAM Babyartikel Gesellschaft m.b.H.**, Vienna (AT)
- (72) Inventor: **Peter Roehrig**, Vienna (AT)
- (73) Assignee: **MAM Babyartikel Gesellschaft m.b.H.**, Vienna (AT)
- (**) Term: **14 Years**
- (21) Appl. No.: **29/480,278**
- (22) Filed: **Jan. 24, 2014**
- (30) **Foreign Application Priority Data**
 - Jul. 25, 2013 (EM) 002280727-0001
 - Jul. 25, 2013 (EM) 002280727-0002
- (51) **LOC (10) Cl.** **07-01**
- (52) **U.S. Cl.**
USPC **D24/197**
- (58) **Field of Classification Search**
CPC A61J 9/00
USPC 220/694, 703, 227, 235, 714, 727, 745;
D24/197, 193, 207, 129, 127, 196;
D9/452; 215/11.1, 11.2, 11.3, 11.4,
215/11.5, 11.6, 344
See application file for complete search history.

- D482,571 S * 11/2003 Leinenweber D7/523
- D620,758 S * 8/2010 Smiedt et al. D7/523
- D626,417 S * 11/2010 Kim D9/503
- D634,213 S * 3/2011 Thompson D9/691
- D641,887 S * 7/2011 Sirota D24/197
- D674,103 S * 1/2013 Smith D24/197
- D674,497 S * 1/2013 Smith D24/197

OTHER PUBLICATIONS

- "MAM Feel Good Glass Bottle". red-dot-21.com. Web. Jul. 10, 2014.*
- "MAM Glass Bottle 260 ml". moosterbaby.co.uk. Web. Jul. 10, 2014.*
- "MAM 160 ml Anti Colic Bottle (3-Pack)". amazon.co.uk. Web. Jul. 12, 2012.*

* cited by examiner

Primary Examiner — George D Kirschbaum

Assistant Examiner — Kendra L Hamilton

(74) *Attorney, Agent, or Firm* — Abelman, Frayne & Schwab

(57) **CLAIM**

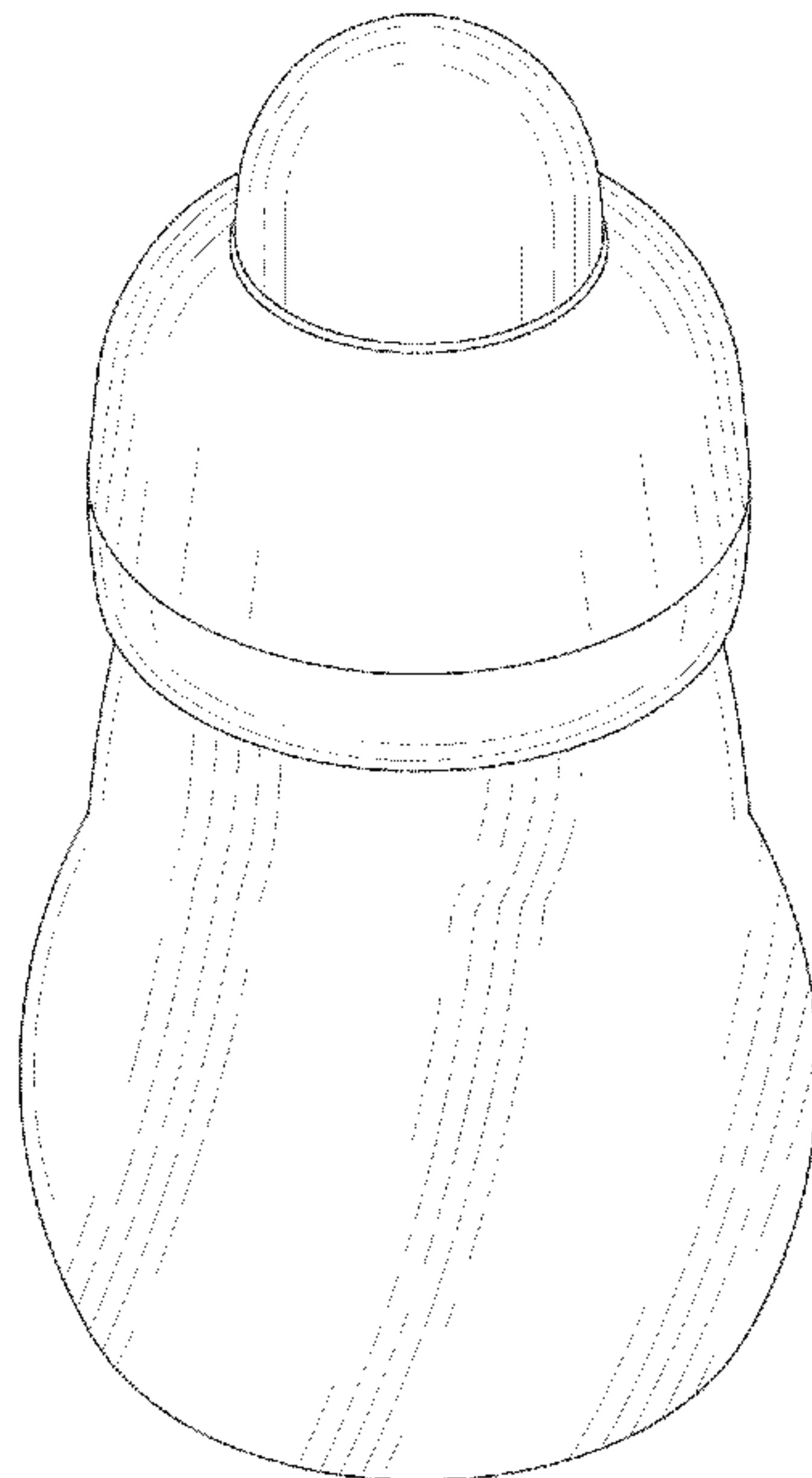
The ornamental design for a glass feeding bottle, as shown and described.

DESCRIPTION

FIG. 1 is a top and front perspective view of a glass feeding bottle showing the new design;
 FIG. 2 is a front elevation thereof;
 FIG. 3 is a rear elevation thereof;
 FIG. 4 is a left side elevation thereof, the right side elevation being a mirror image thereof; and,
 FIG. 5 is a top plan thereof.

1 Claim, 5 Drawing Sheets

- (56) **References Cited**
U.S. PATENT DOCUMENTS
D356,160 S * 3/1995 Cautereels D24/197
D441,087 S * 4/2001 Johansen et al. D24/197



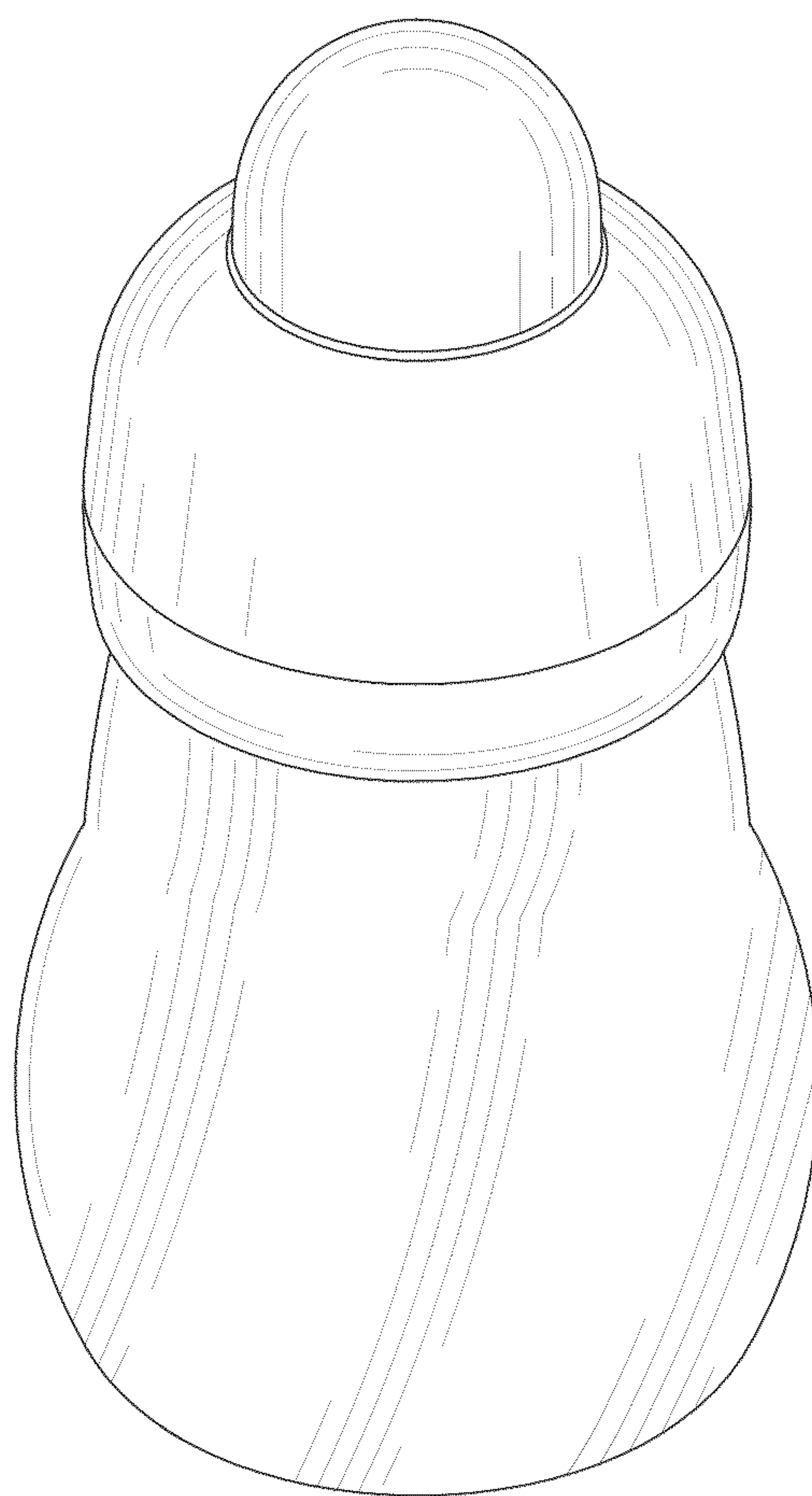


FIG. 1

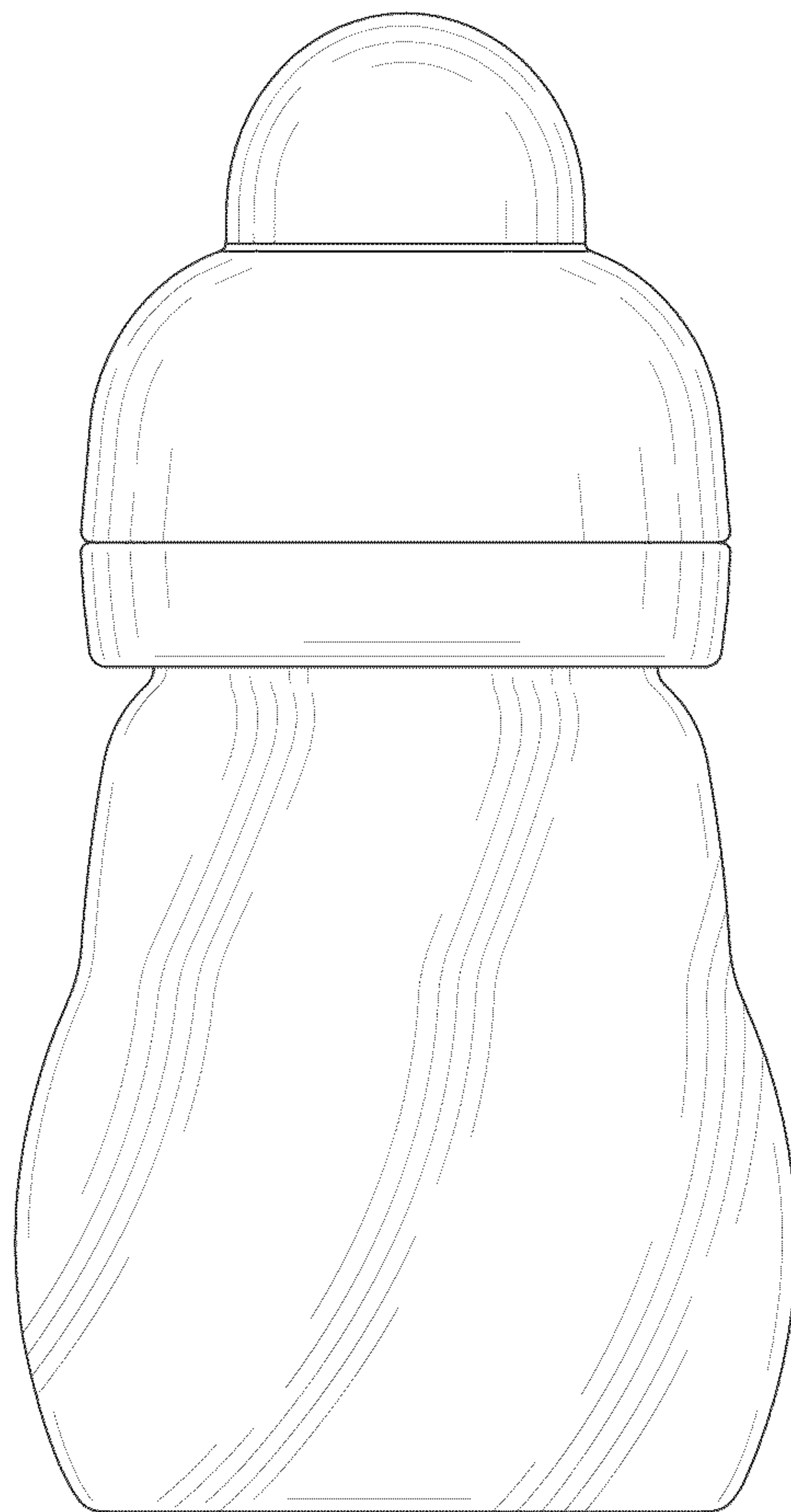


FIG. 2

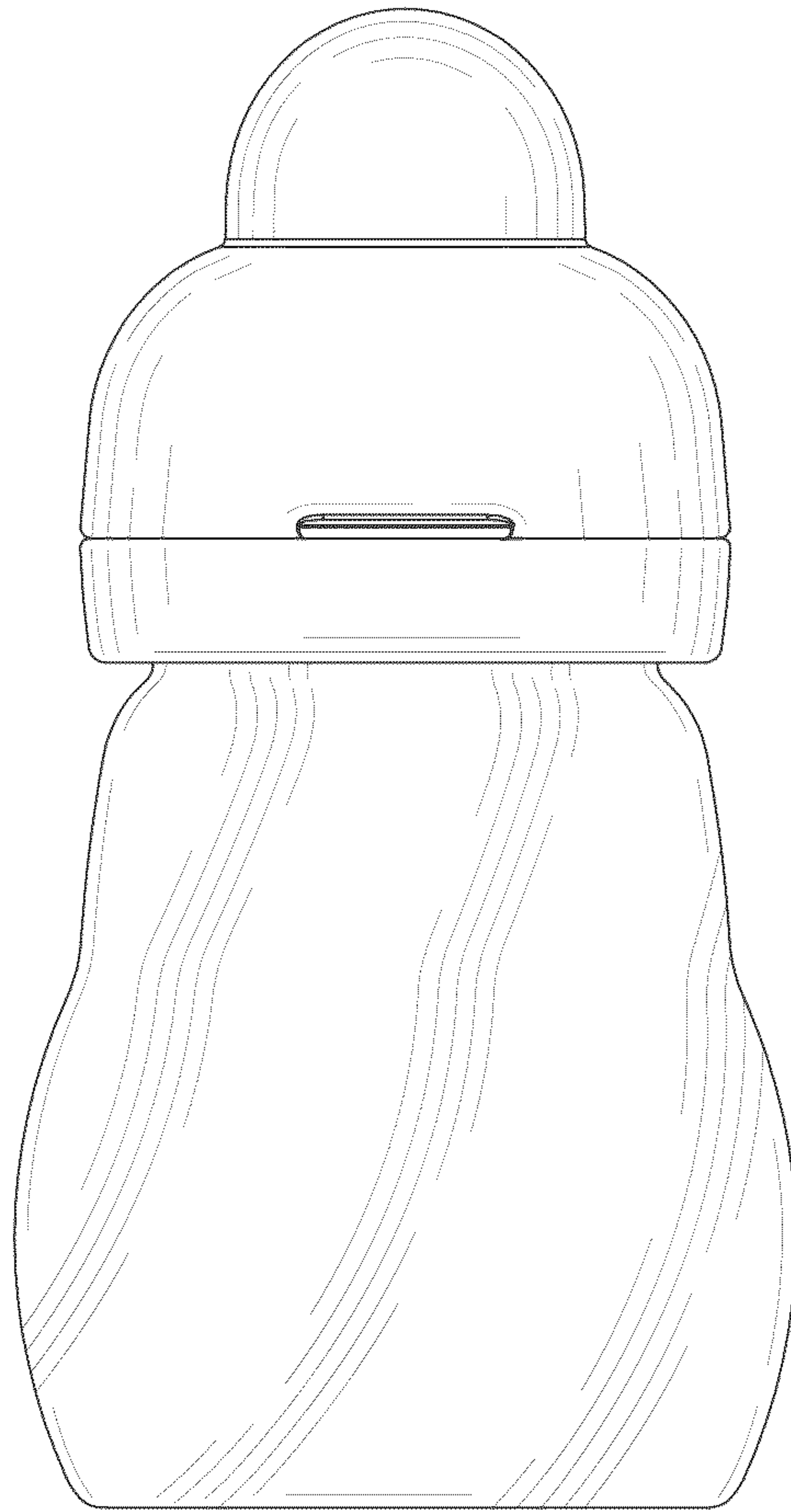


FIG. 3

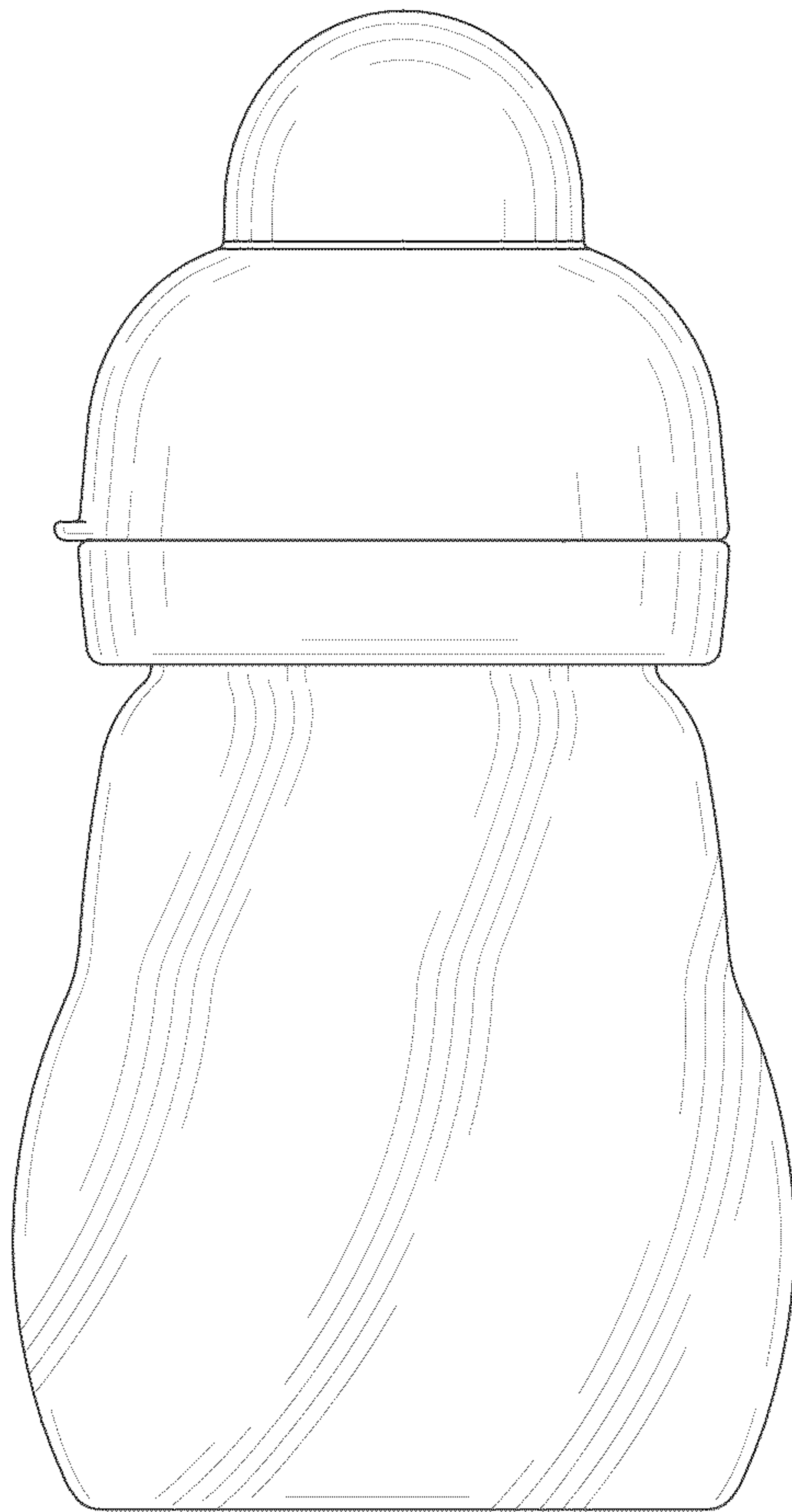


FIG. 4

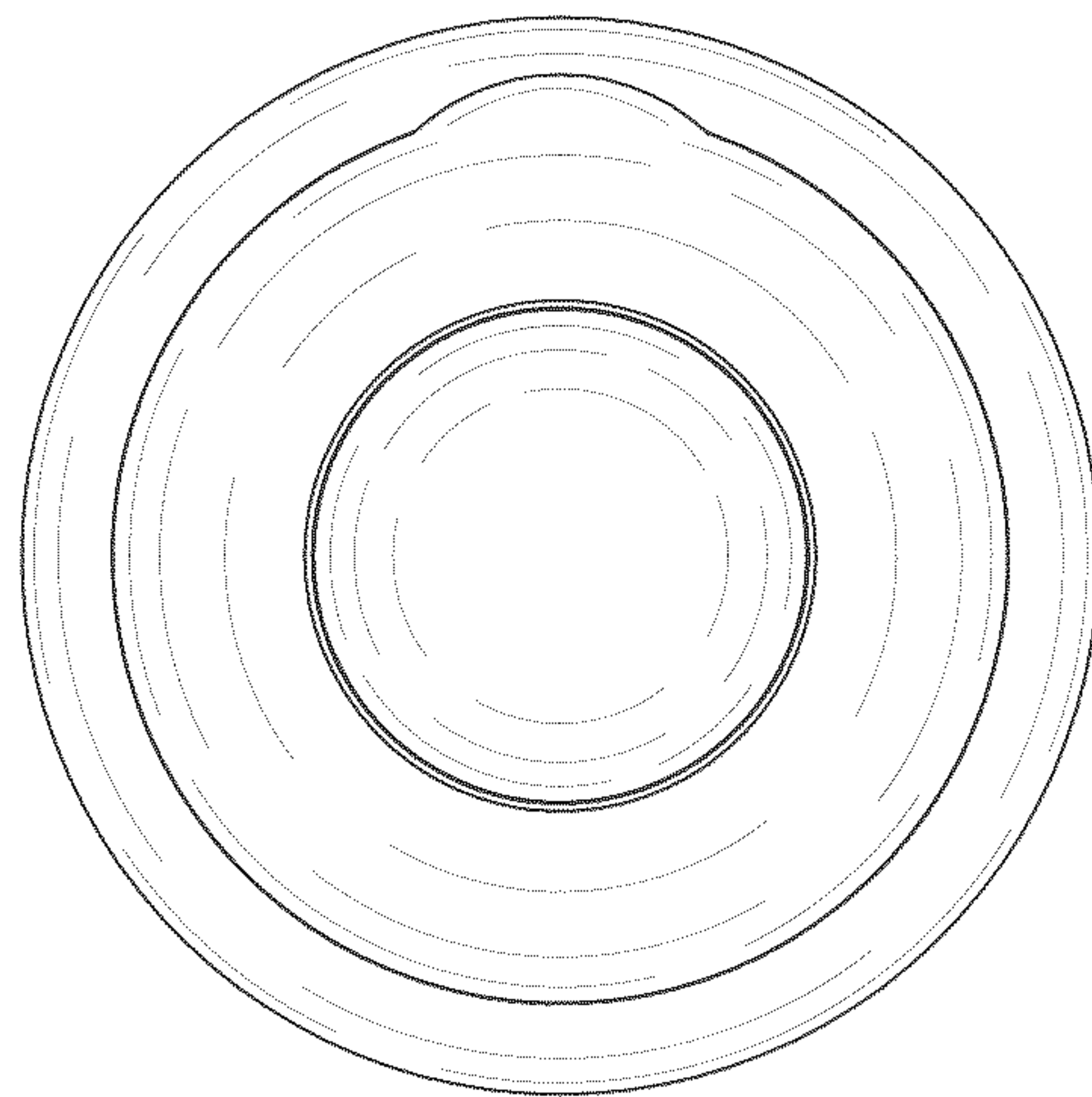


FIG. 5