



US00D724747S

(12) **United States Design Patent**
Lo

(10) **Patent No.:** **US D724,747 S**
(45) **Date of Patent:** **** Mar. 17, 2015**

(54) **TEAT**

(71) Applicant: **Fu Hong Industries Limited**, Hong Kong (HK)

(72) Inventor: **Fu Man Herman Lo**, Hong Kong (HK)

(73) Assignee: **Fu Hong Industries Limited**, Hong Kong (HK)

(**) Term: **14 Years**

(21) Appl. No.: **29/503,038**

(22) Filed: **Sep. 22, 2014**

Related U.S. Application Data

(62) Division of application No. 29/471,612, filed on Nov. 4, 2013.

(51) **LOC (10) Cl.** **24-04**

(52) **U.S. Cl.**
USPC **D24/194**

(58) **Field of Classification Search**
CPC A61J 11/001; A61J 11/0035
USPC D24/193, 194, 195, 196, 197, 198, 199;
215/11.1, 11.2, 11.3, 11.4, 11.5, 11.6
See application file for complete search history.

(56) **References Cited**

U.S. PATENT DOCUMENTS

D444,239	S	*	6/2001	Kobayashi et al.	D24/196
D463,567	S	*	9/2002	Morano	D24/196
D486,579	S	*	2/2004	Dunn	D24/196
D488,560	S	*	4/2004	Renz et al.	D24/196
D547,874	S	*	7/2007	Horie et al.	D24/194
D599,028	S	*	8/2009	Schofield	D24/196
D602,596	S	*	10/2009	Yamashita	D24/196
D637,300	S	*	5/2011	Yamashita et al.	D24/196
D681,216	S	*	4/2013	Smith	D24/196
D684,267	S	*	6/2013	Smith	D24/196
2012/0267334	A1	*	10/2012	Yamashita et al.	215/11.5

* cited by examiner

Primary Examiner — George D Kirschbaum
Assistant Examiner — Kendra L Hamilton

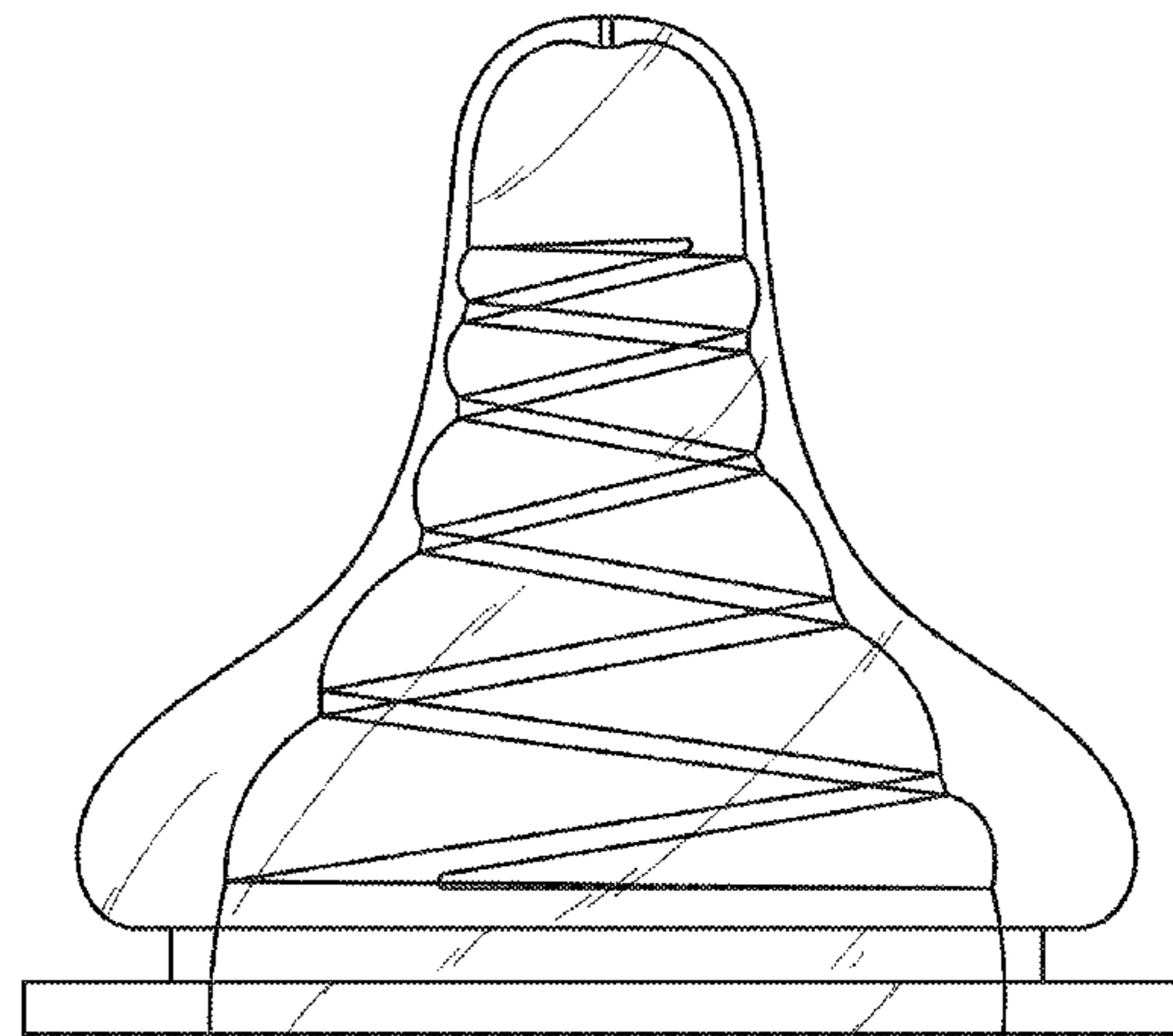
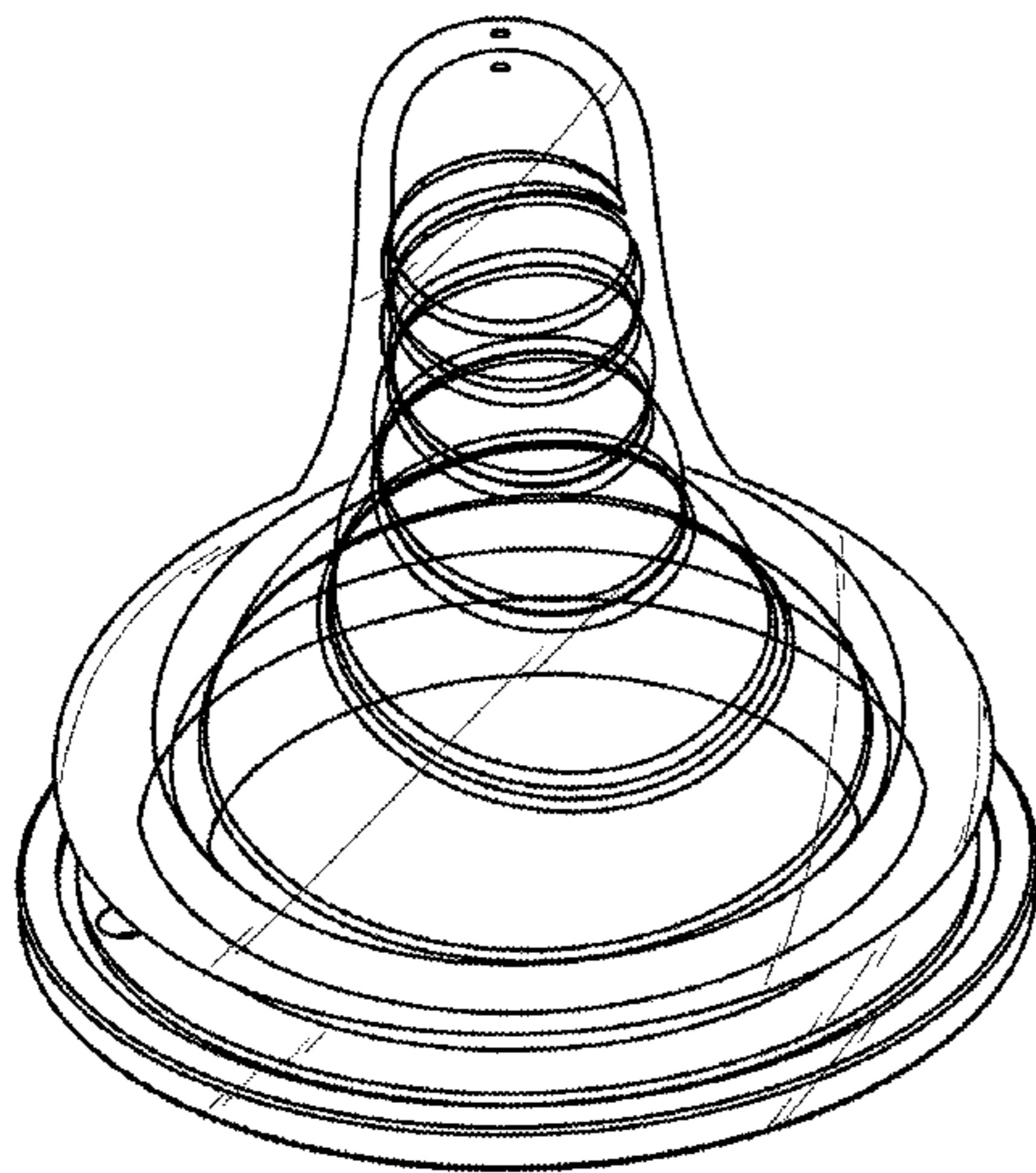
(57) **CLAIM**

The ornamental design for a teat, as shown and described.

DESCRIPTION

FIG. 1 is a perspective view of a teat showing my new design;
FIG. 2 is a front elevational view thereof;
FIG. 3 is a rear elevational view thereof;
FIG. 4 is a right side view thereof;
FIG. 5 is a left side view thereof;
FIG. 6 is a sectional view taken along the line 6-6' of FIG. 4 thereof;
FIG. 7 is a bottom plan view thereof; and,
FIG. 8 is a top plan view thereof.

1 Claim, 8 Drawing Sheets



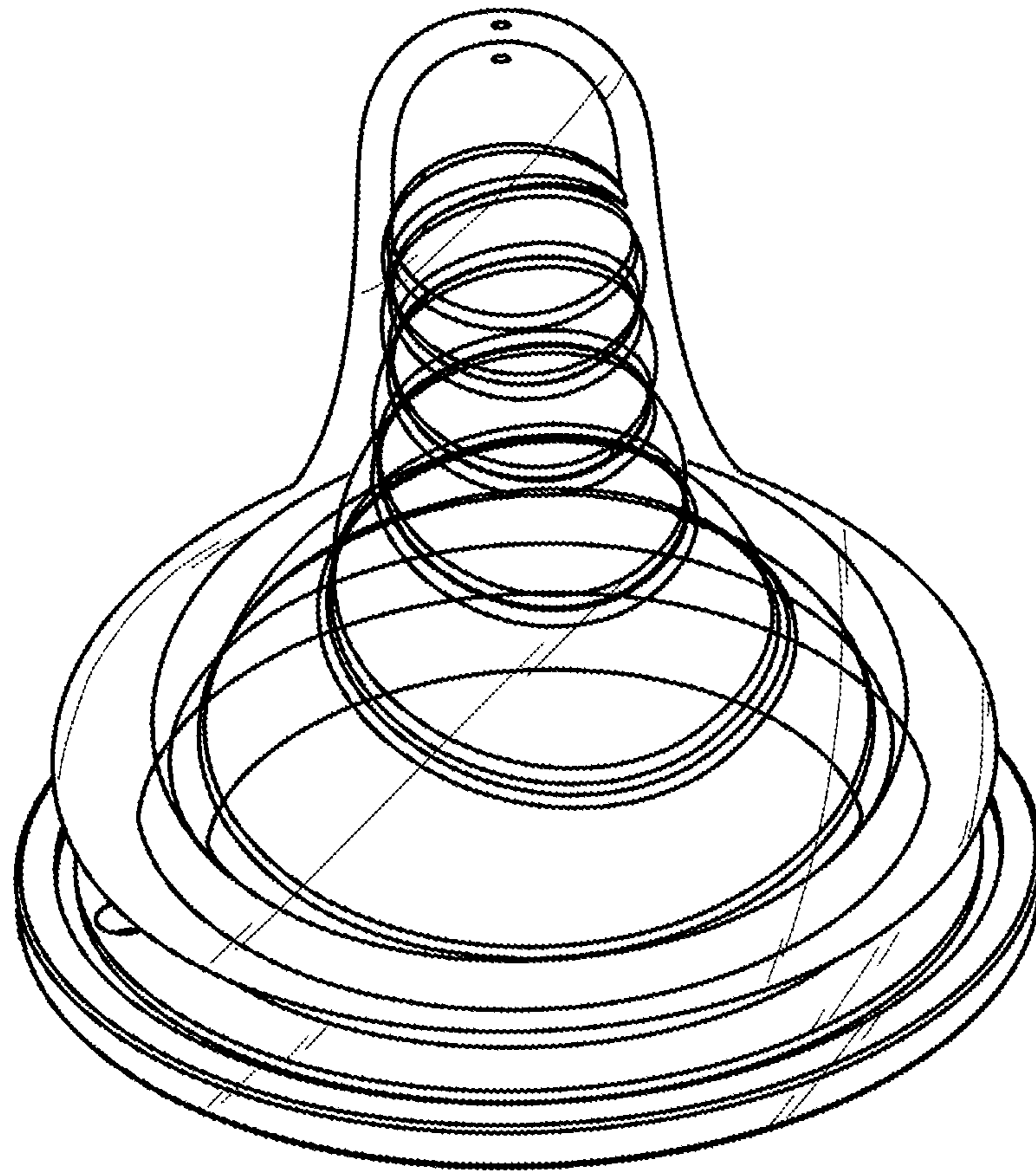


FIG. 1

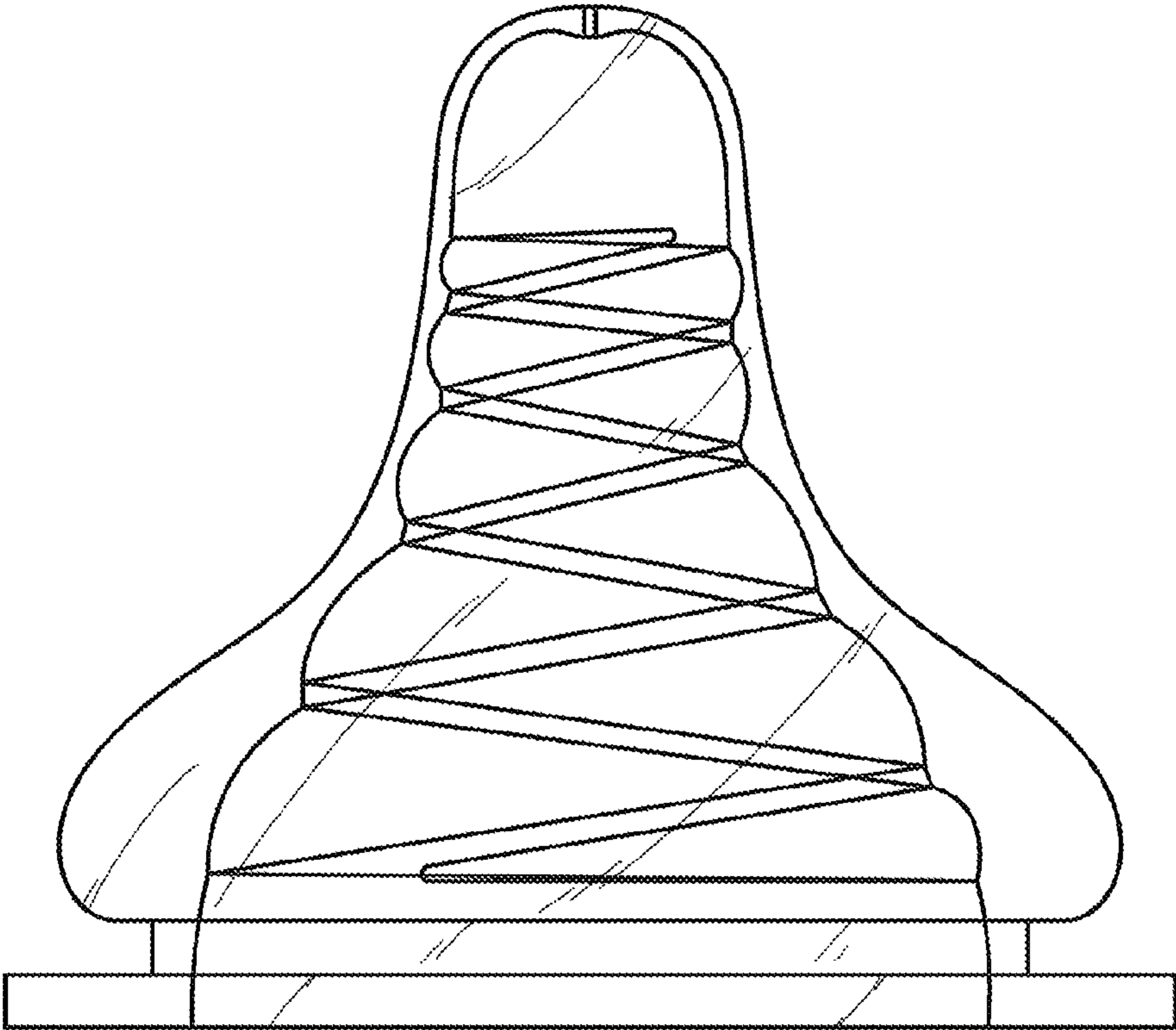


FIG. 2

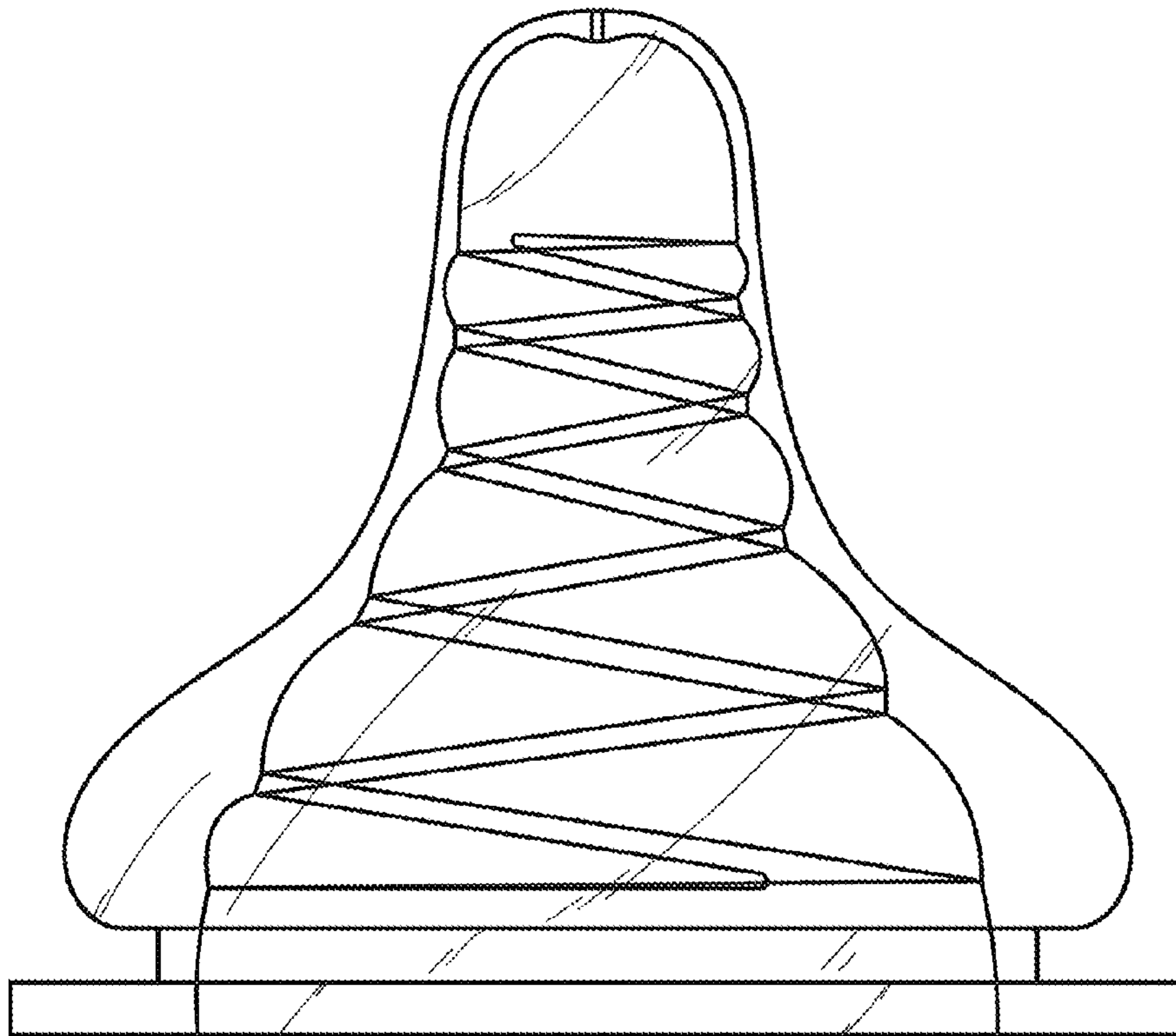


FIG. 3

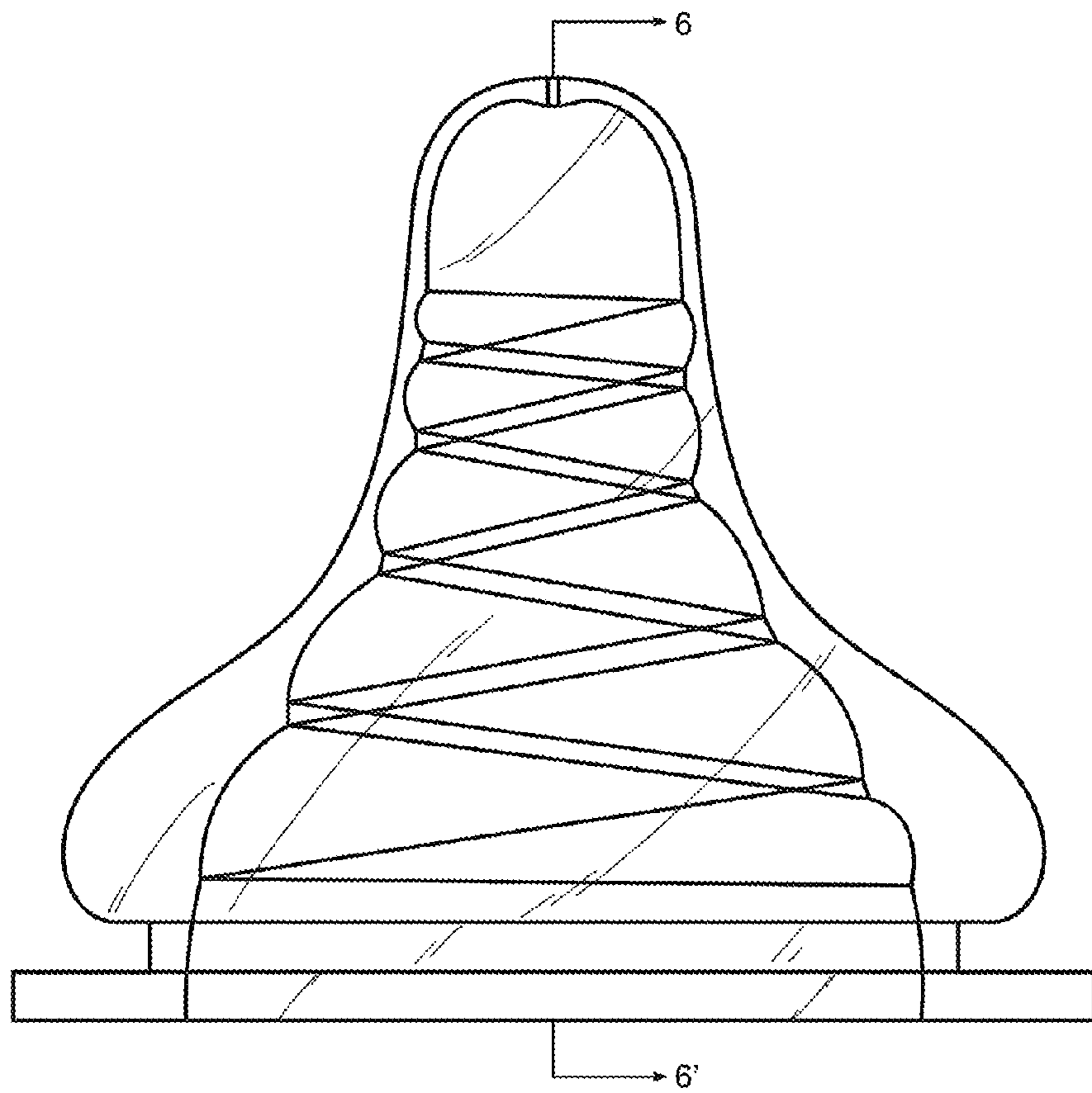


FIG. 4

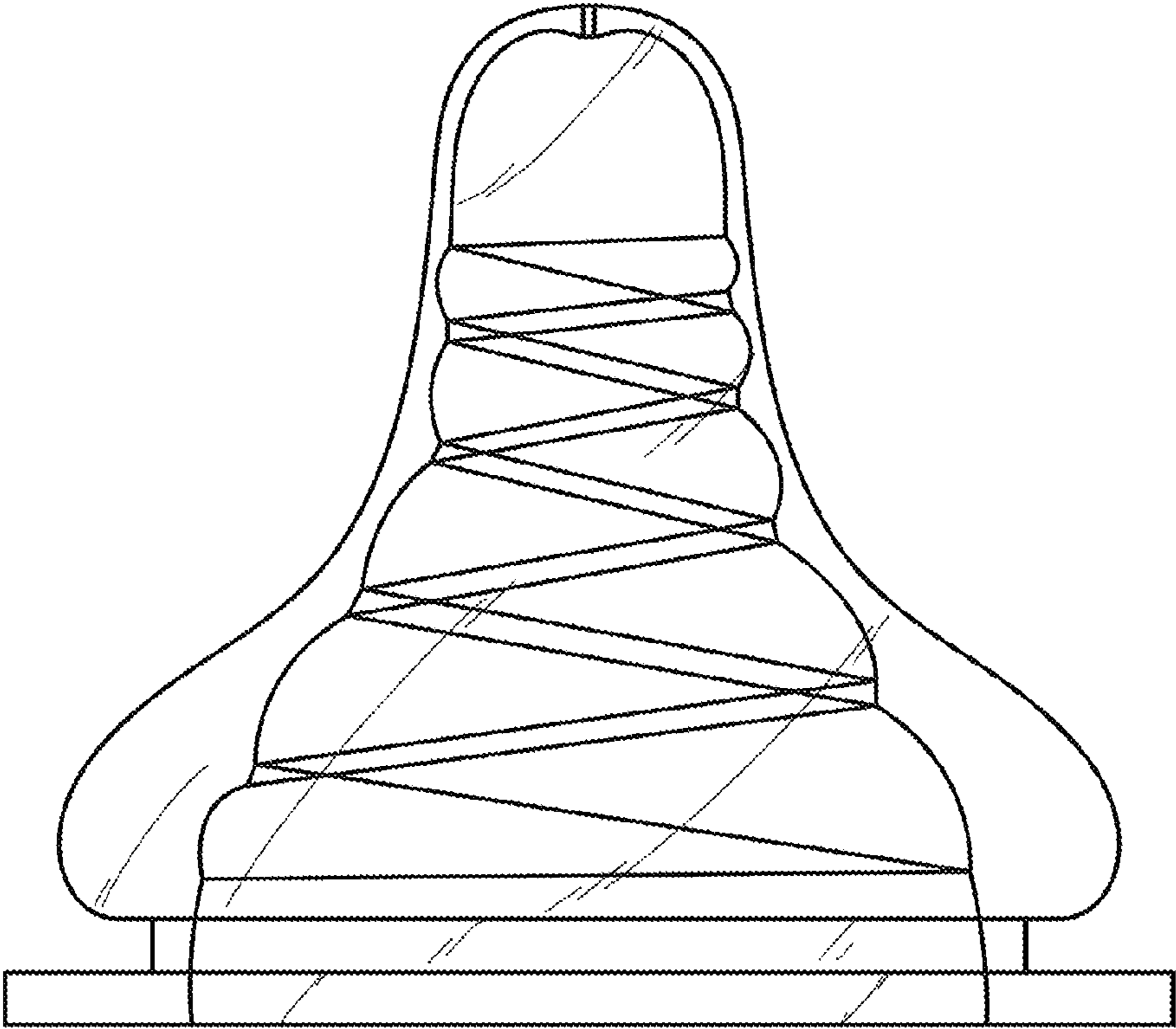


FIG. 5

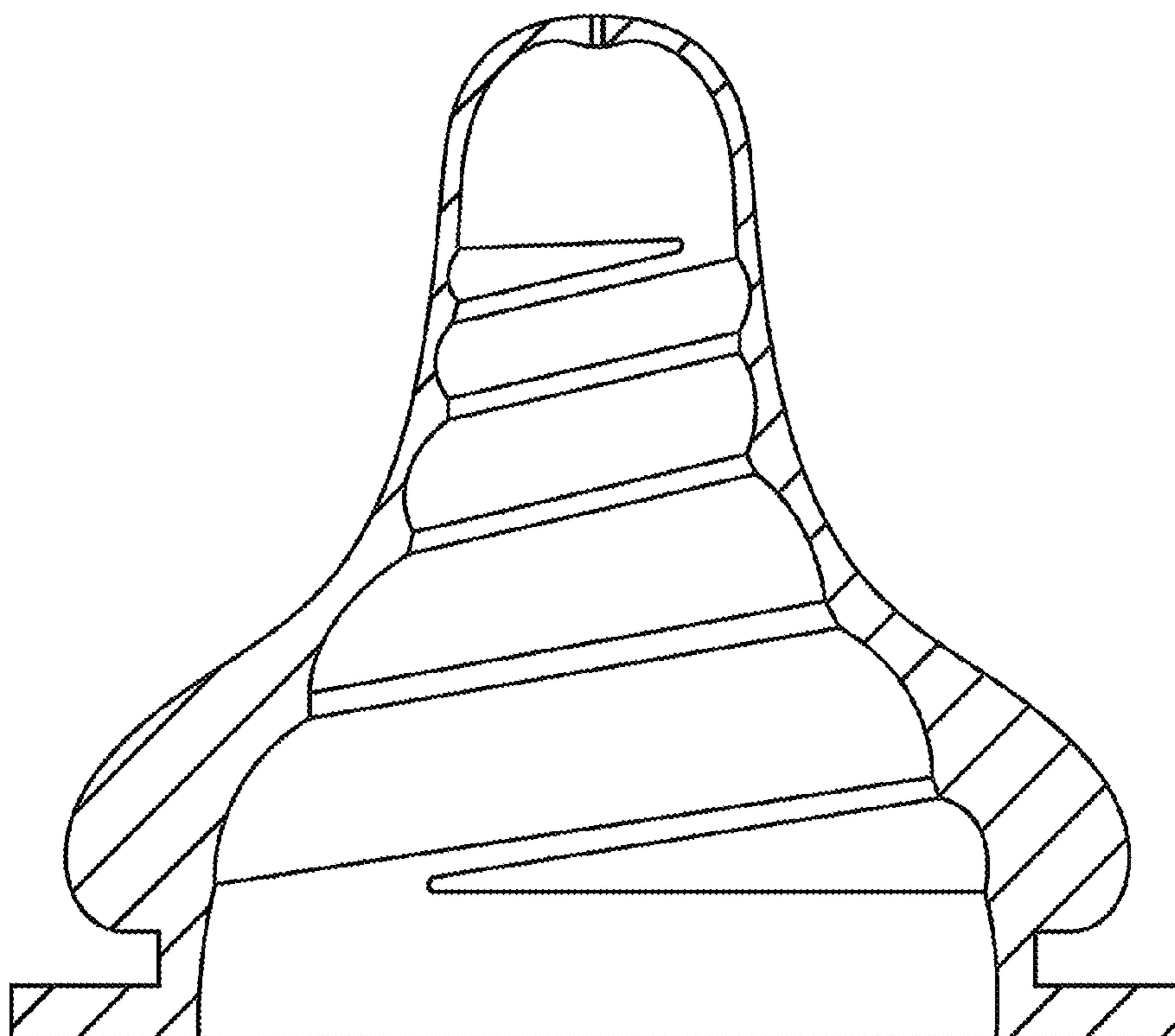


FIG. 6

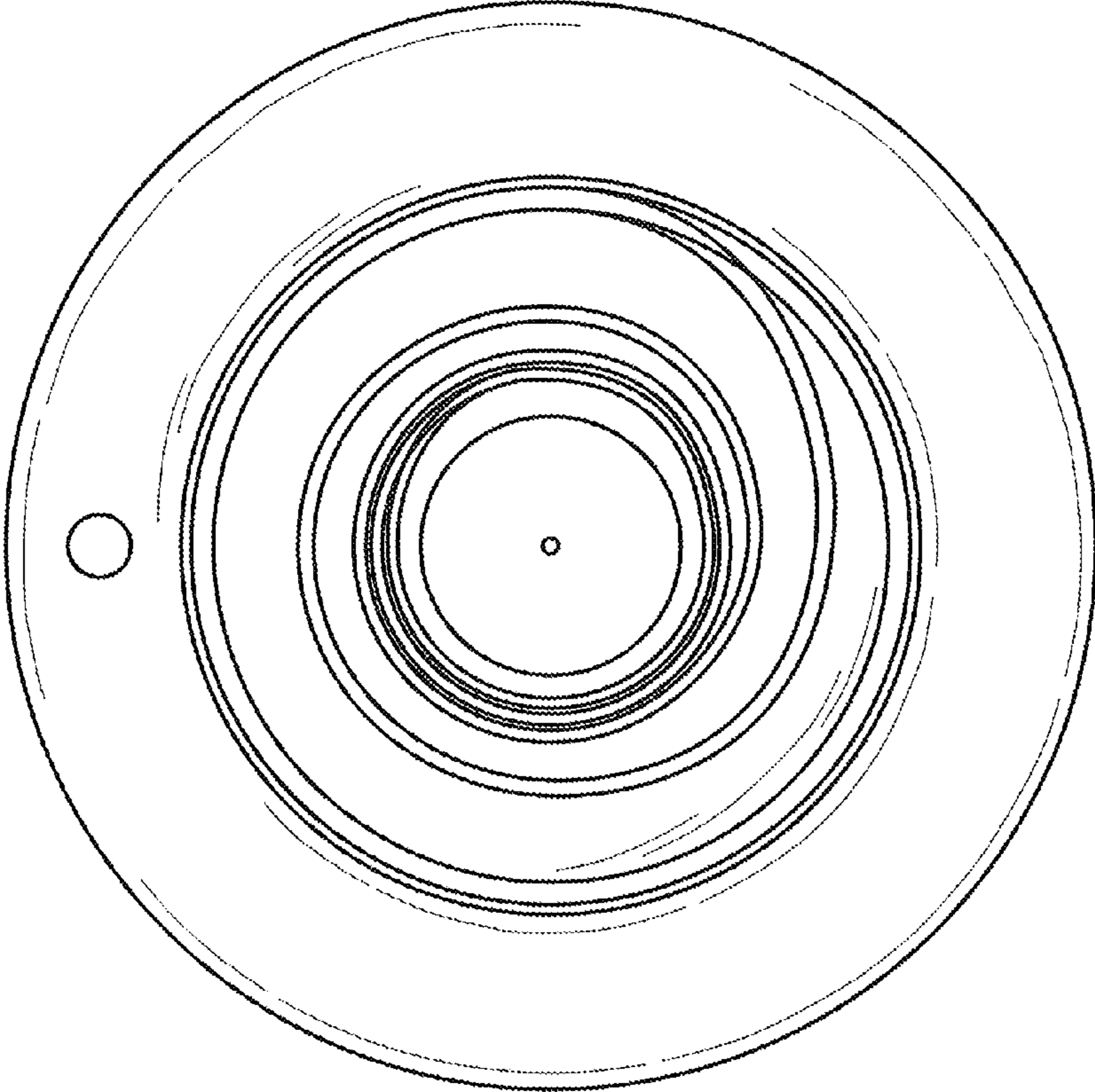


FIG. 7

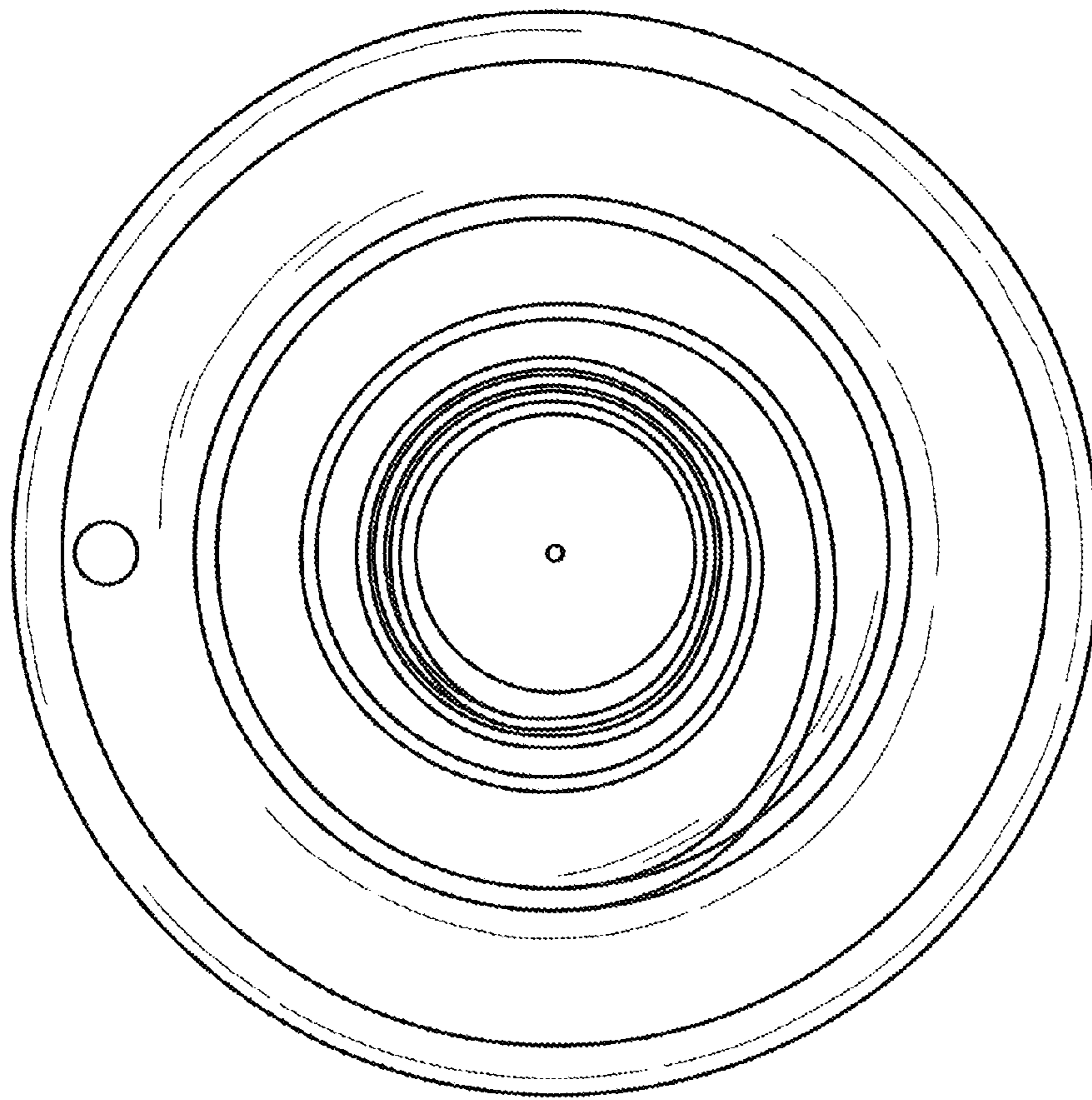


FIG. 8