



US00D724745S

(12) **United States Design Patent**
Orome et al.

(10) **Patent No.:** **US D724,745 S**
(45) **Date of Patent:** **** Mar. 17, 2015**

(54) **CAP FOR AN ULTRASOUND PROBE**

(75) Inventors: **Amir Orome**, Sandy, UT (US); **Eric W. Lindekugel**, Salt Lake City, UT (US)

(73) Assignee: **C. R. Bard, Inc.**, Murray Hill, NJ (US)

(**) Term: **14 Years**

(21) Appl. No.: **29/428,633**

(22) Filed: **Aug. 1, 2012**

Related U.S. Application Data

(63) Continuation-in-part of application No. 13/206,396, filed on Aug. 9, 2011.

(51) **LOC (10) Cl.** **24-01**

(52) **U.S. Cl.**
USPC **D24/186**

(58) **Field of Classification Search**
USPC D24/158, 186-187, 200, 214-215;
D10/78; 600/372, 407, 437-472;
D21/529; 367/140

See application file for complete search history.

(56) **References Cited**

U.S. PATENT DOCUMENTS

3,133,244 A 5/1964 Wojtulewicz
3,297,020 A 1/1967 Mathiesen

(Continued)

FOREIGN PATENT DOCUMENTS

AU 642647 11/1990
AU 1860597 B2 6/1999

(Continued)

OTHER PUBLICATIONS

PCT/US2013/045999 filed Jun. 14, 2013 International Search Report and Written Opinion dated Nov. 21, 2013.

(Continued)

Primary Examiner — T. Chase Nelson

Assistant Examiner — Mark Cavanna

(74) *Attorney, Agent, or Firm* — Rutan & Tucker, LLP

(57) **CLAIM**

The ornamental design for a cap for an ultrasound probe, as shown and described.

DESCRIPTION

FIG. 1 is a front perspective view of a cap for an ultrasound probe shown attached to an ultrasound probe, showing our new design;

FIG. 2 is a rear perspective view of the cap for an ultrasound probe illustrated in FIG. 1, shown attached to an ultrasound probe;

FIG. 3 is a front elevation view of the cap for an ultrasound probe illustrated in FIG. 1, shown attached to an ultrasound probe;

FIG. 4 is a first side elevation view of the cap for an ultrasound probe illustrated in FIG. 1, shown attached to an ultrasound probe;

FIG. 5 is a top perspective view of the cap for an ultrasound probe illustrated in FIG. 1, shown in isolation;

FIG. 6 is a bottom perspective view of the cap for an ultrasound probe illustrated in FIG. 5;

FIG. 7 is a top view of the cap for an ultrasound probe illustrated in FIG. 5;

FIG. 8 is a front elevation view of the cap for an ultrasound probe illustrated in FIG. 5;

FIG. 9 is a first side elevation view of the cap for an ultrasound probe illustrated in FIG. 5;

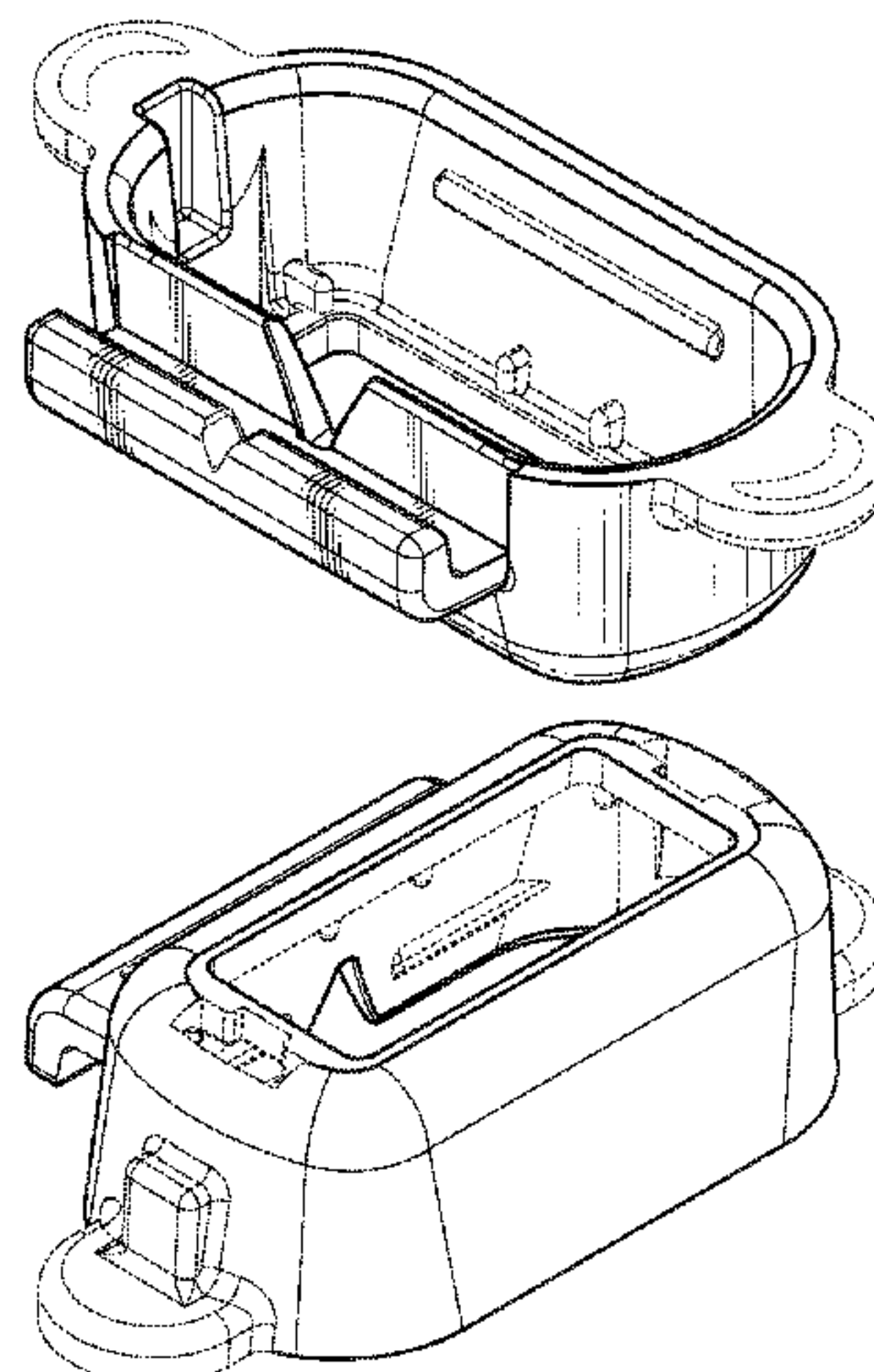
FIG. 10 is a bottom view of the cap for an ultrasound probe illustrated in FIG. 5;

FIG. 11 is a rear elevation view of the cap for an ultrasound probe illustrated in FIG. 5, and;

FIG. 12 is a second side elevation view of the cap for an ultrasound probe illustrated in FIG. 5.

The broken lines are included for the purpose of illustrating portions of the cap for an ultrasound probe that form no part of the claimed design.

1 Claim, 5 Drawing Sheets



(56)

References Cited

U.S. PATENT DOCUMENTS

3,625,200 A	12/1971	Muller	4,809,713 A	3/1989	Grayzel
3,674,014 A	7/1972	Tillander et al.	4,813,729 A	3/1989	Speckhart
3,817,241 A	6/1974	Grausz	4,821,731 A	4/1989	Martinelli et al.
3,847,157 A	11/1974	Caillouette et al.	4,836,214 A	6/1989	Sramek
3,868,565 A	2/1975	Kuipers	4,840,622 A	6/1989	Hardy
3,902,501 A	9/1975	Citron et al.	4,849,692 A	7/1989	Blood
3,995,623 A	12/1976	Blake et al.	4,850,358 A	7/1989	Millar
4,003,369 A	1/1977	Heilman et al.	4,852,580 A	8/1989	Wood
4,063,561 A	12/1977	McKenna	4,856,317 A	8/1989	Pidorenko et al.
4,072,146 A	2/1978	Howes	4,856,529 A	8/1989	Segal
4,114,601 A	9/1978	Abels	4,860,757 A	8/1989	Lynch et al.
4,149,535 A	4/1979	Volder et al.	4,867,169 A *	9/1989	Machida et al. 600/459
4,173,228 A	11/1979	Steenwyk et al.	4,869,263 A	9/1989	Segal et al.
4,175,566 A	11/1979	Millar	4,869,718 A	9/1989	Brader
4,181,120 A	1/1980	Kunii et al.	4,887,606 A	12/1989	Yock et al.
4,224,949 A	9/1980	Scott et al.	4,887,615 A	12/1989	Taylor
4,244,362 A	1/1981	Anderson	4,889,128 A	12/1989	Millar
4,289,139 A	9/1981	Enjoji et al.	4,899,756 A	2/1990	Sonek
4,317,078 A	2/1982	Weed et al.	4,901,725 A	2/1990	Nappholz et al.
4,327,722 A	5/1982	Groshong et al.	4,905,698 A	3/1990	Strohl, Jr. et al.
4,362,166 A	12/1982	Furler et al.	4,911,173 A	3/1990	Terwilliger
4,365,639 A	12/1982	Goldreyer	4,911,174 A	3/1990	Pederson et al.
4,380,237 A	4/1983	Newbower	4,924,870 A	5/1990	Wlodarczyk et al.
4,407,294 A	10/1983	Vilkomerson	4,943,770 A	7/1990	Ashley-Rollman et al.
4,429,693 A	2/1984	Blake et al.	4,945,305 A	7/1990	Blood
4,431,005 A	2/1984	McCormick	4,947,852 A	8/1990	Nassi et al.
4,431,214 A	2/1984	Buffington	4,957,111 A	9/1990	Millar
4,445,501 A	5/1984	Bresler	4,961,433 A	10/1990	Christian
4,459,854 A	7/1984	Richardson et al.	4,966,148 A	10/1990	Millar
4,469,106 A	9/1984	Harui	4,967,753 A	11/1990	Haase et al.
4,483,343 A	11/1984	Beyer et al.	4,977,886 A	12/1990	Takehana et al.
4,491,137 A	1/1985	Jingu	4,989,608 A	2/1991	Ratner
4,565,201 A	1/1986	Lass	4,995,396 A	2/1991	Inaba et al.
4,572,198 A	2/1986	Codrington	4,998,916 A	3/1991	Hammerslag et al.
4,577,634 A	3/1986	Gessman	5,005,592 A	4/1991	Cartmell
4,582,067 A	4/1986	Silverstein et al.	5,016,173 A	5/1991	Kenet et al.
4,588,394 A	5/1986	Schulte et al.	5,025,799 A	6/1991	Wilson
4,593,687 A	6/1986	Gray	5,029,585 A	7/1991	Lieber et al.
4,595,012 A	6/1986	Webler et al.	5,040,548 A	8/1991	Yock
4,601,706 A	7/1986	Aillon	5,042,486 A	8/1991	Pfeiler et al.
4,608,989 A	9/1986	Drue	5,045,071 A	9/1991	McCormick et al.
4,608,992 A	9/1986	Hakim et al.	5,046,497 A	9/1991	Millar
4,619,247 A	10/1986	Inoue et al.	5,050,607 A	9/1991	Bradley et al.
4,622,644 A	11/1986	Hansen	5,057,095 A	10/1991	Fabian
4,644,960 A	2/1987	Johans	5,058,595 A	10/1991	Kern
4,652,820 A	3/1987	Maresca	5,067,489 A	11/1991	Lind
4,665,925 A	5/1987	Millar	5,076,278 A	12/1991	Vilkomerson et al.
4,667,230 A	5/1987	Arakawa et al.	5,078,140 A	1/1992	Kwoh
4,674,518 A	6/1987	Salo	5,078,148 A	1/1992	Nassi et al.
4,676,249 A	6/1987	Arenas et al.	5,078,149 A	1/1992	Katsumata et al.
4,681,106 A	7/1987	Kensley et al.	5,078,678 A	1/1992	Katims
4,681,117 A	7/1987	Brodman et al.	5,078,714 A	1/1992	Katims
4,688,578 A	8/1987	Takano et al.	5,084,022 A	1/1992	Claude
4,692,148 A	9/1987	Kantrowitz et al.	5,092,341 A	3/1992	Kelen
4,697,595 A	10/1987	Breyer et al.	5,099,845 A	3/1992	Besz et al.
4,700,997 A	10/1987	Strand	5,099,850 A	3/1992	Matsui et al.
4,706,681 A	11/1987	Breyer et al.	5,100,387 A	3/1992	Ng
4,710,708 A	12/1987	Rorden et al.	5,105,829 A	4/1992	Fabian et al.
4,733,669 A	3/1988	Segal	5,109,862 A	5/1992	Kelen et al.
4,737,794 A	4/1988	Jones	5,114,401 A	5/1992	Stuart et al.
4,741,356 A	5/1988	Letzo et al.	5,121,750 A	6/1992	Katims
4,742,356 A	5/1988	Kuipers	D327,740 S *	7/1992	Arioka et al. D24/186
4,753,247 A	6/1988	Kirsner et al.	5,134,370 A	7/1992	Jefferts et al.
4,770,185 A	9/1988	Silverstein et al.	5,144,955 A	9/1992	O'Hara
4,771,788 A	9/1988	Millar	5,158,086 A	10/1992	Brown et al.
4,781,685 A	11/1988	Lehmann et al.	5,160,342 A	11/1992	Reger et al.
4,784,646 A	11/1988	Feingold	5,161,536 A	11/1992	Vilkomerson et al.
4,787,070 A *	11/1988	Suzuki et al. 367/140	5,174,295 A	12/1992	Christian et al.
4,787,396 A	11/1988	Pidorenko	5,184,601 A	2/1993	Putman
4,793,361 A	12/1988	DuFault	5,190,045 A	3/1993	Frazin
4,794,930 A	1/1989	Machida et al.	5,202,985 A	4/1993	Goyal
4,796,632 A	1/1989	Boyd et al.	5,211,165 A	5/1993	Dumoulin et al.
4,798,588 A	1/1989	Aillon	5,211,636 A	5/1993	Mische
4,798,598 A	1/1989	Bonello et al.	5,212,988 A	5/1993	White et al.
4,809,681 A	3/1989	Kantrowitz et al.	5,214,615 A	5/1993	Bauer et al.
			5,217,026 A	6/1993	Stoy et al.
			5,220,924 A	6/1993	Frazin
			5,235,987 A	8/1993	Wolfe
			5,239,464 A	8/1993	Blair et al.

(56)

References Cited

U.S. PATENT DOCUMENTS

5,240,004 A	8/1993	Walinsky et al.	5,480,422 A	1/1996	Ben-Haim
5,243,995 A	9/1993	Maier	5,487,729 A	1/1996	Avellanet et al.
5,246,007 A	9/1993	Frisbie et al.	5,490,522 A	2/1996	Dardel
5,247,171 A	9/1993	Wlodarczyk et al.	5,492,538 A	2/1996	Johlin, Jr.
5,251,635 A	10/1993	Dumoulin et al.	5,494,038 A	2/1996	Wang et al.
5,255,680 A	10/1993	Darrow et al.	5,500,012 A	3/1996	Brucker et al.
5,257,636 A	11/1993	White	5,505,205 A	4/1996	Solomon et al.
5,257,979 A	11/1993	Jagpal	5,509,822 A	4/1996	Negus et al.
5,261,409 A	11/1993	Dardel	5,513,637 A	5/1996	Twiss et al.
5,265,610 A	11/1993	Darrow et al.	5,515,853 A	5/1996	Smith et al.
5,265,614 A	11/1993	Hayakawa et al.	5,522,878 A	6/1996	Montecalvo et al.
5,267,569 A	12/1993	Lienhard	5,526,812 A	6/1996	Dumoulin et al.
5,270,810 A	12/1993	Nishimura	5,531,664 A	7/1996	Adachi et al.
5,271,404 A	12/1993	Corl et al.	5,540,033 A	7/1996	Fox et al.
5,273,025 A	12/1993	Sakiyama et al.	5,540,230 A	7/1996	Vilkomerson
5,273,042 A	12/1993	Lynch et al.	5,540,681 A	7/1996	Strul et al.
5,274,551 A	12/1993	Corby, Jr.	5,542,938 A	8/1996	Avellanet et al.
5,275,053 A	1/1994	Wlodarczyk et al.	5,546,949 A	8/1996	Frazin et al.
5,279,129 A	1/1994	Ito	5,546,951 A	8/1996	Ben-Haim
5,279,607 A	1/1994	Schentag et al.	5,558,091 A	9/1996	Acker et al.
5,280,786 A	1/1994	Wlodarczyk et al.	5,568,809 A	10/1996	Ben-haim
5,287,331 A	2/1994	Schindel et al.	D375,450 S	11/1996	Bidwell et al.
5,289,373 A	2/1994	Zarge et al.	5,570,671 A	11/1996	Hickey
5,292,342 A	3/1994	Nelson et al.	5,575,291 A	11/1996	Hayakawa et al.
5,307,072 A	4/1994	Jones, Jr.	5,583,286 A	12/1996	Matsuyama
5,311,871 A	5/1994	Yock	5,588,442 A	12/1996	Scovil et al.
5,313,949 A	5/1994	Yock	5,592,939 A	1/1997	Martinelli
5,318,025 A	6/1994	Dumoulin et al.	5,598,846 A	2/1997	Peszynski
5,325,860 A	7/1994	Seward et al.	5,599,299 A	2/1997	Weaver et al.
5,325,873 A	7/1994	Hirschi et al.	5,600,330 A	2/1997	Blood
5,330,496 A	7/1994	Alferness	5,610,967 A	3/1997	Moorman et al.
5,331,966 A	7/1994	Bennett et al.	5,617,866 A	4/1997	Marian, Jr.
5,333,614 A	8/1994	Feiring	5,622,169 A	4/1997	Golden et al.
5,337,678 A	8/1994	Grout et al.	5,622,170 A	4/1997	Schulz
5,341,807 A	8/1994	Nardella	5,622,184 A	4/1997	Ashby et al.
5,343,865 A	9/1994	Gardineer et al.	5,623,931 A	4/1997	Wung et al.
5,345,940 A	9/1994	Seward et al.	5,624,430 A	4/1997	Eton et al.
5,348,020 A	9/1994	Hutson	5,626,554 A	5/1997	Ryaby et al.
5,350,352 A	9/1994	Buchholtz et al.	5,626,870 A	5/1997	Monshipouri et al.
5,357,961 A	10/1994	Fields et al.	5,630,419 A	5/1997	Ranalletta
5,375,596 A	12/1994	Twiss et al.	5,644,612 A	7/1997	Moorman et al.
5,376,083 A	12/1994	Mische	5,645,065 A	7/1997	Shapiro et al.
5,377,678 A	1/1995	Dumoulin et al.	5,651,047 A	7/1997	Moorman et al.
5,385,053 A	1/1995	Wlodarczyk et al.	5,654,864 A	8/1997	Ritter et al.
5,391,199 A	2/1995	Ben-Haim	5,654,864 A	8/1997	Ritter et al.
5,394,876 A	3/1995	Ma	D383,968 S	9/1997	Bidwell et al.
5,394,877 A	3/1995	Orr et al.	5,662,115 A	9/1997	Torp et al.
5,395,366 A	3/1995	D'Andrea et al.	5,665,477 A	9/1997	Meathrel et al.
5,398,683 A	3/1995	Edwards et al.	5,666,473 A	9/1997	Wallace
5,398,691 A	3/1995	Martin et al.	5,666,958 A	9/1997	Rothenberg et al.
5,405,366 A	4/1995	Fox et al.	5,669,383 A	9/1997	Johnson
5,411,485 A	5/1995	Tennican et al.	5,669,388 A	9/1997	Vilkomerson
5,413,107 A	5/1995	Oakley et al.	5,676,159 A	10/1997	Navis
5,422,478 A	6/1995	Wlodarczyk et al.	5,676,673 A	10/1997	Ferre et al.
5,425,367 A	6/1995	Shapiro et al.	5,691,898 A	11/1997	Rosenberg et al.
5,425,370 A	6/1995	Vilkomerson	5,694,945 A	12/1997	Ben-Haim
5,425,382 A	6/1995	Golden et al.	5,695,479 A	12/1997	Jagpal
5,427,114 A	6/1995	Colliver et al.	5,697,377 A	12/1997	Wittkamp
5,429,132 A	7/1995	Guy et al.	5,699,801 A	12/1997	Atalar et al.
5,429,617 A	7/1995	Hammersmark et al.	5,700,889 A	12/1997	Blair
5,431,641 A	7/1995	Grozinger et al.	5,713,362 A	2/1998	Vilkomerson
5,433,729 A	7/1995	Adams et al.	5,713,363 A	2/1998	Seward et al.
5,437,276 A	8/1995	Takada et al.	5,713,946 A	2/1998	Ben-Haim
5,437,277 A	8/1995	Dumoulin et al.	5,715,817 A	2/1998	Stevens-Wright et al.
5,438,873 A	8/1995	Wlodarczyk et al.	5,716,389 A	2/1998	Walinsky et al.
5,443,066 A	8/1995	Dumoulin et al.	5,718,241 A	2/1998	Ben-Haim et al.
5,443,489 A	8/1995	Ben-Haim	D391,838 S	3/1998	Bidwell et al.
5,445,150 A	8/1995	Dumoulin et al.	5,722,412 A	3/1998	Pflugrath et al.
5,450,846 A	9/1995	Goldreyer	5,727,550 A	3/1998	Montecalvo
5,453,575 A	9/1995	O'Donnell et al.	5,727,552 A	3/1998	Ryan
5,456,256 A	10/1995	Schneider	5,727,553 A	3/1998	Saad
5,456,718 A	10/1995	Szymaitis	5,729,055 A	3/1998	Manning
5,464,016 A	11/1995	Nicholas et al.	5,729,129 A	3/1998	Acker
5,474,065 A	12/1995	Meathrel et al.	5,729,584 A	3/1998	Moorman et al.
5,476,090 A	12/1995	Kishi	5,730,129 A	3/1998	Darrow et al.
			5,731,996 A	3/1998	Gilbert
			5,733,323 A	3/1998	Buck et al.
			5,738,096 A	4/1998	Ben-Haim
			5,740,808 A	4/1998	Panescu et al.
			5,742,394 A	4/1998	Hansen

(56)

References Cited

U.S. PATENT DOCUMENTS

5,744,953 A	4/1998	Hansen	5,941,904 A	8/1999	Johnston et al.
5,748,767 A	5/1998	Raab	5,944,022 A	8/1999	Nardella et al.
5,749,835 A	5/1998	Glantz	5,944,023 A	8/1999	Johnson et al.
5,749,938 A	5/1998	Coombs	5,953,683 A	9/1999	Hansen et al.
5,751,785 A	5/1998	Moorman et al.	5,957,857 A	9/1999	Hartley
5,752,513 A	5/1998	Acker et al.	5,961,923 A	10/1999	Nova et al.
5,758,650 A	6/1998	Miller et al.	5,967,978 A	10/1999	Littmann et al.
5,762,064 A	6/1998	Polvani	5,967,980 A	10/1999	Ferre et al.
5,767,669 A	6/1998	Hansen et al.	5,967,991 A	10/1999	Gardineer et al.
5,767,960 A	6/1998	Orman et al.	5,969,722 A	10/1999	Palm
5,769,786 A	6/1998	Wiegel	5,978,705 A	11/1999	KenKnight et al.
5,769,843 A	6/1998	Abela et al.	5,983,126 A	11/1999	Wittkamp
5,769,881 A	6/1998	Schroepel et al.	5,984,908 A	11/1999	Davis et al.
5,771,896 A	6/1998	Sliwa, Jr. et al.	5,991,693 A	11/1999	Zalewski
5,775,322 A	7/1998	Silverstein et al.	5,997,473 A	12/1999	Taniguchi et al.
5,775,332 A	7/1998	Goldman	5,997,481 A	12/1999	Adams et al.
5,779,638 A	7/1998	Vesely et al.	6,006,123 A	12/1999	Nguyen et al.
5,782,767 A	7/1998	Pretlow, III	6,011,988 A	1/2000	Lynch et al.
5,785,657 A	7/1998	Breyer et al.	6,014,473 A	1/2000	Hossack et al.
5,792,055 A	8/1998	McKinnon	6,014,580 A	1/2000	Blume et al.
5,795,297 A	8/1998	Daigle	6,015,414 A	1/2000	Werp et al.
5,795,298 A	8/1998	Vesely et al.	6,017,496 A	1/2000	Nova et al.
5,795,632 A	8/1998	Buchalter	6,019,724 A	2/2000	Gronningsaeter et al.
5,797,849 A	8/1998	Vesely et al.	6,019,725 A	2/2000	Vesely et al.
5,800,352 A	9/1998	Ferre et al.	6,023,638 A	2/2000	Swanson
5,800,410 A	9/1998	Gawreluk	6,026,312 A	2/2000	Shemwell et al.
5,800,497 A	9/1998	Bakels et al.	6,031,765 A	2/2000	Lee et al.
5,803,089 A	9/1998	Ferre et al.	6,032,070 A	2/2000	Flock et al.
5,810,733 A	9/1998	Van Creveld et al.	6,039,694 A	3/2000	Larson et al.
5,817,022 A	10/1998	Vesely	6,050,718 A	4/2000	Schena et al.
5,817,024 A	10/1998	Ogle et al.	6,052,610 A	4/2000	Koch
5,820,549 A *	10/1998	Marian, Jr. 600/437	6,052,618 A	4/2000	Dahlke et al.
5,824,031 A	10/1998	Cookston et al.	D424,693 S	5/2000	Pruter
5,829,444 A	11/1998	Ferre et al.	6,059,718 A	5/2000	Taniguchi et al.
5,830,145 A	11/1998	Tenhoff	6,064,905 A	5/2000	Webster, Jr. et al.
5,831,260 A	11/1998	Hansen	6,066,094 A	5/2000	Ben-Haim
5,833,608 A	11/1998	Acker	6,068,599 A	5/2000	Saito et al.
5,833,622 A	11/1998	Meathrel et al.	6,073,043 A	6/2000	Schneider
5,835,561 A	11/1998	Moorman et al.	6,074,367 A	6/2000	Hubbell
5,836,882 A	11/1998	Frazin	6,075,442 A	6/2000	Welch
5,836,990 A	11/1998	Li	6,076,007 A	6/2000	England et al.
5,840,024 A	11/1998	Taniguchi et al.	6,082,366 A	7/2000	Andra et al.
5,840,025 A	11/1998	Ben-Haim	6,083,170 A	7/2000	Ben-Haim
5,840,030 A	11/1998	Ferek-Petric et al.	6,099,524 A	8/2000	Lipson et al.
5,840,031 A	11/1998	Crowley	6,100,026 A	8/2000	Nova et al.
5,842,986 A	12/1998	Avrin et al.	6,102,044 A	8/2000	Naidyhorski
5,843,076 A	12/1998	Webster, Jr. et al.	6,107,699 A	8/2000	Swanson
5,843,153 A	12/1998	Johnston et al.	6,112,111 A	8/2000	Glantz
5,844,140 A	12/1998	Seale	6,113,504 A	9/2000	Kuesters
5,846,198 A	12/1998	Killmann	6,115,624 A	9/2000	Lewis et al.
5,855,553 A	1/1999	Tajima et al.	6,120,445 A	9/2000	Grunwald
5,859,893 A	1/1999	Moorman et al.	6,128,174 A	10/2000	Ritter et al.
5,865,748 A	2/1999	Co et al.	6,129,668 A	10/2000	Haynor et al.
5,868,673 A	2/1999	Vesely	6,132,378 A	10/2000	Marino
5,873,822 A	2/1999	Ferre et al.	6,132,379 A	10/2000	Patacsil et al.
5,876,328 A	3/1999	Fox et al.	6,135,961 A	10/2000	Pflugrath et al.
5,879,297 A	3/1999	Haynor et al.	6,136,274 A	10/2000	Nova et al.
5,893,363 A	4/1999	Little et al.	6,138,681 A	10/2000	Chen et al.
5,897,495 A	4/1999	Aida et al.	6,139,496 A	10/2000	Chen et al.
5,899,860 A	5/1999	Pfeiffer et al.	6,139,502 A	10/2000	Fredriksen
5,902,238 A	5/1999	Golden et al.	6,144,300 A	11/2000	Dames
5,907,487 A	5/1999	Rosenberg et al.	6,148,823 A	11/2000	Hastings
5,908,385 A	6/1999	Chechelski et al.	6,152,933 A	11/2000	Werp et al.
5,910,113 A	6/1999	Pruter	6,157,853 A	12/2000	Blume et al.
5,910,120 A	6/1999	Kim et al.	6,165,144 A	12/2000	Talish et al.
5,913,820 A	6/1999	Bladen et al.	6,166,496 A	12/2000	Lys et al.
5,913,830 A	6/1999	Miles	6,166,806 A	12/2000	Tjin
5,919,141 A	7/1999	Money et al.	6,167,765 B1	1/2001	Weitzel
5,919,170 A	7/1999	Woessner	6,172,499 B1	1/2001	Ashe
5,928,145 A	7/1999	Ocali et al.	6,173,199 B1	1/2001	Gabriel
5,929,607 A	7/1999	Rosenberg et al.	6,173,715 B1	1/2001	Sinanan et al.
5,931,788 A	8/1999	Keen et al.	6,175,756 B1	1/2001	Ferre et al.
5,931,818 A	8/1999	Werp et al.	6,176,829 B1	1/2001	Vilkomerson
5,941,858 A	8/1999	Johnson	6,193,743 B1	2/2001	Brayton et al.
5,941,889 A	8/1999	Cermak	6,200,305 B1	3/2001	Berthiaume et al.
			6,203,499 B1	3/2001	Imling et al.
			6,206,843 B1	3/2001	Iger et al.
			6,208,884 B1	3/2001	Kumar et al.
			6,211,626 B1	4/2001	Lys et al.

(56)

References Cited

U.S. PATENT DOCUMENTS

6,211,666 B1	4/2001	Acker	6,377,857 B1	4/2002	Brayton et al.
6,212,426 B1	4/2001	Swanson	6,379,302 B1	4/2002	Kessman et al.
6,216,027 B1	4/2001	Willis et al.	6,379,303 B1	4/2002	Seitz et al.
6,216,028 B1	4/2001	Haynor et al.	6,379,307 B1	4/2002	Filly et al.
6,216,029 B1	4/2001	Paltieli	6,381,485 B1	4/2002	Hunter et al.
6,223,087 B1	4/2001	Williams	6,385,472 B1	5/2002	Hall et al.
6,226,547 B1	5/2001	Lockhart et al.	6,385,476 B1	5/2002	Osadchy et al.
6,230,046 B1	5/2001	Crane et al.	6,398,736 B1	6/2002	Seward
6,233,476 B1	5/2001	Strommer et al.	6,401,723 B1	6/2002	Garibaldi et al.
6,238,344 B1	5/2001	Gamelsky et al.	6,406,442 B1	6/2002	McFann et al.
6,241,673 B1	6/2001	Williams	6,412,978 B1	7/2002	Watanabe et al.
6,246,231 B1	6/2001	Ashe	6,412,980 B1	7/2002	Lounsberry et al.
6,246,898 B1	6/2001	Vesely et al.	6,417,839 B1	7/2002	Odell
6,248,072 B1	6/2001	Murkin	6,418,332 B1	7/2002	Mastrototaro et al.
6,248,074 B1	6/2001	Ohno et al.	6,418,335 B2	7/2002	Avrin et al.
6,248,075 B1	6/2001	McGee et al.	6,423,002 B1	7/2002	Hossack
6,253,770 B1	7/2001	Acker et al.	6,423,050 B1	7/2002	Twardowski
6,259,941 B1	7/2001	Chia et al.	6,427,079 B1	7/2002	Schneider et al.
6,261,231 B1	7/2001	Damphousse et al.	6,428,551 B1	8/2002	Hall et al.
6,263,230 B1	7/2001	Haynor et al.	6,430,315 B1	8/2002	Makram-Ebeid
6,266,550 B1	7/2001	Selmon et al.	6,432,069 B1	8/2002	Godo et al.
6,266,551 B1	7/2001	Osadchy et al.	6,438,411 B1	8/2002	Guttman et al.
6,266,552 B1	7/2001	Slettenmark	6,442,416 B1	8/2002	Schultz
6,266,563 B1	7/2001	KenKnight et al.	6,445,943 B1	9/2002	Ferre et al.
6,271,833 B1	8/2001	Rosenberg et al.	6,459,919 B1	10/2002	Lys et al.
6,272,371 B1	8/2001	Shlomo	6,463,121 B1	10/2002	Milnes
6,272,374 B1	8/2001	Flock et al.	6,473,167 B1	10/2002	Odell
6,275,258 B1	8/2001	Chim	6,474,341 B1	11/2002	Hunter et al.
6,275,724 B1	8/2001	Dickinson et al.	6,475,152 B1	11/2002	Kelly, Jr. et al.
6,277,077 B1	8/2001	Brisken et al.	6,475,223 B1	11/2002	Werp et al.
6,284,459 B1	9/2001	Nova et al.	6,477,402 B1	11/2002	Lynch et al.
6,285,898 B1	9/2001	Ben-Haim	6,484,118 B1	11/2002	Govari et al.
6,288,704 B1	9/2001	Flack et al.	6,487,916 B1	12/2002	Gomm et al.
6,292,678 B1	9/2001	Hall et al.	6,491,671 B1	12/2002	Larson, III et al.
6,292,680 B1	9/2001	Somogyi et al.	6,493,573 B1	12/2002	Martinelli et al.
6,292,901 B1	9/2001	Lys et al.	6,496,715 B1	12/2002	Lee et al.
6,293,955 B1	9/2001	Houser et al.	6,498,944 B1	12/2002	Ben-Haim et al.
6,296,604 B1	10/2001	Garibaldi et al.	6,500,141 B1	12/2002	Irion et al.
6,298,261 B1	10/2001	Rex	6,505,062 B1	1/2003	Ritter et al.
6,304,768 B1	10/2001	Blume et al.	6,507,751 B2	1/2003	Blume et al.
6,306,097 B1	10/2001	Park et al.	6,508,802 B1	1/2003	Rosengart et al.
6,311,082 B1	10/2001	Creighton, IV et al.	6,512,958 B1	1/2003	Swoyer et al.
6,315,709 B1	11/2001	Garibaldi et al.	6,514,249 B1	2/2003	Maguire et al.
6,315,727 B1	11/2001	Coleman et al.	6,515,657 B1	2/2003	Zanelli
6,319,668 B1	11/2001	Nova et al.	6,516,212 B1	2/2003	Bladen et al.
6,323,769 B1	11/2001	Dames et al.	6,516,231 B1	2/2003	Flammang
6,323,770 B1	11/2001	Dames et al.	6,516,807 B1	2/2003	Panescu et al.
6,324,416 B1	11/2001	Seibert	6,517,520 B2	2/2003	Chang et al.
6,325,540 B1	12/2001	Lounsberry et al.	6,522,906 B1	2/2003	Salisbury, Jr. et al.
6,325,762 B1	12/2001	Tjin	6,522,907 B1	2/2003	Bladen et al.
6,329,139 B1	12/2001	Nova et al.	6,522,909 B1	2/2003	Garibaldi et al.
6,329,916 B1	12/2001	Dames et al.	6,524,303 B1	2/2003	Garibaldi
6,330,467 B1	12/2001	Creighton, IV et al.	6,528,954 B1	3/2003	Lys et al.
6,332,089 B1	12/2001	Acker et al.	6,528,991 B2	3/2003	Ashe
6,332,874 B1	12/2001	Eliassen et al.	6,529,761 B2	3/2003	Creighton, IV et al.
6,340,588 B1	1/2002	Nova et al.	6,534,982 B1	3/2003	Jakab
6,340,868 B1	1/2002	Lys et al.	6,535,625 B1	3/2003	Chang et al.
6,341,231 B1	1/2002	Ferre et al.	6,537,192 B1	3/2003	Elliott et al.
6,346,081 B1	2/2002	Vilkomerson	6,537,196 B1	3/2003	Creighton, IV et al.
6,348,911 B1	2/2002	Rosenberg et al.	6,538,634 B1	3/2003	Chui et al.
6,350,160 B1	2/2002	Feuersanger et al.	6,540,699 B1	4/2003	Smith
6,352,363 B1	3/2002	Munger et al.	6,542,766 B2	4/2003	Hall et al.
6,355,026 B1	3/2002	Mick	6,544,251 B1	4/2003	Crawford
6,361,499 B1	3/2002	Bates et al.	6,546,270 B1	4/2003	Goldin et al.
6,364,823 B1	4/2002	Garibaldi et al.	6,546,279 B1	4/2003	Bova et al.
6,364,839 B1	4/2002	Little et al.	6,546,787 B1	4/2003	Schiller et al.
6,366,804 B1	4/2002	Mejia	6,549,794 B1	4/2003	Nadeau, Jr. et al.
6,368,285 B1	4/2002	Osadchy et al.	6,552,841 B1	4/2003	Lasser et al.
6,370,411 B1	4/2002	Osadchy et al.	6,556,858 B1	4/2003	Zeman
6,373,240 B1	4/2002	Govari	6,562,019 B1	5/2003	Sell
6,373,388 B1	4/2002	Dames et al.	6,564,087 B1	5/2003	Pitris et al.
6,374,134 B1	4/2002	Bladen et al.	6,569,101 B2	5/2003	Quistgaard et al.
6,374,670 B1	4/2002	Spelman et al.	6,571,004 B1	5/2003	Florent et al.
6,375,606 B1	4/2002	Garibaldi et al.	6,574,518 B1	6/2003	Lounsberry et al.
6,375,639 B1	4/2002	Duplessie et al.	6,575,908 B2	6/2003	Barnes et al.
			6,577,080 B2	6/2003	Lys et al.
			6,577,896 B2	6/2003	Werner et al.
			6,584,343 B1	6/2003	Ransbury et al.
			6,593,754 B1	7/2003	Steber et al.

(56)

References Cited

U.S. PATENT DOCUMENTS

6,593,884	B1	7/2003	Gilboa et al.	6,875,179	B2	4/2005	Ferguson et al.
6,596,791	B2	7/2003	Santar et al.	6,879,160	B2	4/2005	Jakab
6,597,943	B2	7/2003	Taha et al.	6,889,091	B2	5/2005	Hine et al.
6,599,249	B1	7/2003	Nordgren et al.	6,895,268	B1	5/2005	Rahn et al.
6,607,488	B1	8/2003	Jackson et al.	6,902,528	B1	6/2005	Garibaldi et al.
6,610,058	B2	8/2003	Flores	6,908,433	B1	6/2005	Pruter
6,611,141	B1	8/2003	Schulz et al.	6,911,026	B1	6/2005	Hall et al.
6,615,071	B1	9/2003	Casscells, III et al.	6,923,782	B2	8/2005	O'Mahony et al.
6,615,155	B2	9/2003	Gilboa	6,926,673	B2	8/2005	Roberts et al.
6,618,612	B1	9/2003	Acker et al.	6,934,575	B2	8/2005	Ferre et al.
6,626,832	B1	9/2003	Paltieli et al.	6,936,010	B2	8/2005	Fang et al.
6,626,834	B2	9/2003	Dunne et al.	6,940,379	B2	9/2005	Creighton
6,626,902	B1	9/2003	Kucharczyk et al.	6,941,166	B2	9/2005	MacAdam et al.
6,630,879	B1	10/2003	Creighton, IV et al.	6,947,788	B2	9/2005	Gilboa et al.
6,635,027	B1	10/2003	Cragg et al.	6,950,689	B1	9/2005	Willis et al.
6,645,148	B2	11/2003	Nguyen-Dinh et al.	6,953,754	B2	10/2005	Machida et al.
6,648,875	B2	11/2003	Simpson et al.	6,958,677	B1	10/2005	Carter
6,649,914	B1	11/2003	Moorman et al.	6,959,214	B2	10/2005	Pape et al.
6,652,506	B2	11/2003	Bowe et al.	6,962,566	B2	11/2005	Quistgaard et al.
6,662,034	B2	12/2003	Segner et al.	6,968,846	B2	11/2005	Viswanathan
6,672,308	B1	1/2004	Gaspari	6,975,197	B2	12/2005	Creighton, IV
6,677,752	B1	1/2004	Creighton, IV et al.	6,976,962	B2	12/2005	Bullis
6,679,857	B1	1/2004	Bastia et al.	6,976,987	B2	12/2005	Flores
6,684,176	B2	1/2004	Willins et al.	6,980,843	B2	12/2005	Eng et al.
6,685,644	B2	2/2004	Seo	6,980,852	B2	12/2005	Jersey-Willuhn et al.
6,687,531	B1	2/2004	Ferre et al.	6,980,921	B2	12/2005	Anderson et al.
6,689,119	B1	2/2004	Di Caprio et al.	6,986,739	B2	1/2006	Warren et al.
6,690,963	B2	2/2004	Ben-Haim et al.	6,999,821	B2	2/2006	Jenney et al.
6,690,964	B2	2/2004	Bieger et al.	7,001,355	B2	2/2006	Nunomura et al.
6,690,968	B2	2/2004	Mejia	7,008,418	B2	3/2006	Hall et al.
6,694,167	B1	2/2004	Ferre et al.	7,010,338	B2	3/2006	Ritter et al.
6,695,786	B2	2/2004	Wang et al.	7,015,393	B2	3/2006	Weiner et al.
6,701,179	B1	3/2004	Martinelli et al.	7,017,584	B2	3/2006	Garibaldi et al.
6,701,918	B2	3/2004	Fariss et al.	7,019,610	B2	3/2006	Creighton, IV et al.
6,702,804	B1	3/2004	Ritter et al.	7,020,512	B2	3/2006	Ritter et al.
6,704,590	B2	3/2004	Haldeman	D518,574	S	4/2006	Chaggares
6,709,390	B1	3/2004	Marie Pop	7,022,075	B2	4/2006	Grunwald et al.
6,711,429	B1	3/2004	Gilboa et al.	7,022,082	B2	4/2006	Sonek
6,711,431	B2	3/2004	Sarin et al.	7,026,927	B2	4/2006	Wright et al.
6,719,699	B2	4/2004	Smith	7,027,634	B2	4/2006	Odell
6,719,724	B1	4/2004	Walker et al.	7,028,387	B1	4/2006	Huynh et al.
6,719,756	B1	4/2004	Muntermann	7,029,446	B2	4/2006	Wendelken et al.
6,720,745	B2	4/2004	Lys et al.	7,033,603	B2	4/2006	Nelson et al.
6,733,511	B2	5/2004	Hall et al.	D520,139	S	5/2006	Chaggares
6,736,782	B2	5/2004	Pfeiffer et al.	D520,140	S	5/2006	Chaggares
6,738,656	B1	5/2004	Ferre et al.	7,038,398	B1	5/2006	Lys et al.
6,740,103	B2	5/2004	Hall et al.	7,038,657	B2	5/2006	Rosenberg et al.
6,743,177	B2	6/2004	Ito et al.	7,043,293	B1	5/2006	Baura
6,754,596	B2	6/2004	Ashe	7,054,228	B1	5/2006	Hickling
6,755,789	B2	6/2004	Stringer et al.	7,066,914	B2	6/2006	Andersen
6,755,816	B2	6/2004	Ritter et al.	7,066,924	B1	6/2006	Garibaldi et al.
6,757,557	B1	6/2004	Bladen et al.	D525,363	S	7/2006	Chaggares
6,763,261	B2	7/2004	Casscells, III et al.	7,070,565	B2	7/2006	Vaezy et al.
6,764,449	B2	7/2004	Lee et al.	7,072,704	B2	7/2006	Bucholz
6,768,496	B2	7/2004	Bieger et al.	7,082,325	B2	7/2006	Hashimshony et al.
6,772,001	B2	8/2004	Maschke et al.	7,090,639	B2	8/2006	Govari
6,774,624	B2	8/2004	Anderson et al.	7,096,148	B2	8/2006	Anderson et al.
6,783,536	B2	8/2004	Vilsmeier et al.	7,096,870	B2	8/2006	Lamprich et al.
6,784,660	B2	8/2004	Ashe	7,098,907	B2	8/2006	Houston et al.
6,785,571	B2	8/2004	Glossop et al.	7,103,205	B2	9/2006	Wang et al.
6,786,219	B2	9/2004	Garibaldi et al.	7,104,980	B1	9/2006	Laherty et al.
6,788,967	B2	9/2004	Ben-Haim et al.	7,106,043	B1	9/2006	Da Silva et al.
6,794,667	B2	9/2004	Noshi	7,106,431	B2	9/2006	Odell
6,799,066	B2	9/2004	Steines et al.	7,106,479	B2	9/2006	Roy et al.
6,815,651	B2	11/2004	Odell	7,107,105	B2	9/2006	Bjorklund et al.
6,816,266	B2	11/2004	Varshneya et al.	7,132,804	B2	11/2006	Lys et al.
6,817,364	B2	11/2004	Garibaldi	7,137,976	B2	11/2006	Ritter et al.
6,832,199	B1	12/2004	Kucek et al.	7,141,812	B2	11/2006	Appleby et al.
6,834,201	B2	12/2004	Gillies et al.	7,142,905	B2	11/2006	Slayton et al.
6,844,713	B2	1/2005	Steber et al.	7,148,970	B2	12/2006	de Boer
6,845,142	B2	1/2005	Ohishi	7,153,291	B2	12/2006	Bierman
6,856,823	B2	2/2005	Ashe	7,161,453	B2	1/2007	Creighton, IV
6,860,422	B2	3/2005	Hull et al.	7,162,291	B1	1/2007	Nachaliel
6,862,467	B2	3/2005	Moore et al.	7,167,738	B2	1/2007	Schweikard et al.
6,869,390	B2	3/2005	Elliott et al.	7,169,107	B2	1/2007	Jersey-Willuhn et al.
				7,174,201	B2	2/2007	Govari et al.
				7,175,646	B2	2/2007	Brenneman et al.
				7,180,252	B2	2/2007	Lys et al.
				7,184,820	B2	2/2007	Jersey-Willuhn et al.

(56)

References Cited

U.S. PATENT DOCUMENTS

7,189,198 B2	3/2007	Harburn et al.	7,931,596 B2	4/2011	Rachlin et al.
7,190,819 B2	3/2007	Viswanathan	7,976,469 B2	7/2011	Bonde et al.
7,194,295 B2	3/2007	Vilmsmeier	7,998,073 B2	8/2011	Roth et al.
7,204,798 B2	4/2007	Zdeblick et al.	8,118,743 B2	2/2012	Park et al.
7,206,064 B2	4/2007	Rogers et al.	8,388,541 B2	3/2013	Messerly et al.
7,207,941 B2	4/2007	Sharf	8,388,546 B2	3/2013	Rothenberg
7,211,082 B2	5/2007	Hall et al.	8,437,833 B2	5/2013	Silverstein
7,214,191 B2	5/2007	Stringer et al.	D684,265 S	6/2013	Cadera
7,215,326 B2	5/2007	Rosenberg	8,478,382 B2	7/2013	Burnside et al.
7,221,104 B2	5/2007	Lys et al.	8,512,256 B2	8/2013	Rothenberg
7,223,256 B2	5/2007	Bierman	8,801,693 B2	8/2014	He et al.
7,229,400 B2	6/2007	Elliott et al.	2002/0019447 A1	2/2002	Renn et al.
7,231,243 B2	6/2007	Tearney et al.	2002/0022777 A1	2/2002	Crieghton et al.
7,236,157 B2	6/2007	Schena et al.	2002/0032391 A1	3/2002	McFann et al.
7,236,816 B2	6/2007	Kumar et al.	2002/0055680 A1	5/2002	Miele et al.
7,237,313 B2	7/2007	Skujins et al.	2002/0082559 A1	6/2002	Chang et al.
7,241,267 B2	7/2007	Furia	2002/0113555 A1	8/2002	Lys et al.
7,244,234 B2	7/2007	Ridley et al.	2002/0114518 A1	8/2002	Wilt
7,248,032 B1	7/2007	Hular et al.	2002/0123679 A1	9/2002	Dominguez
7,248,914 B2	7/2007	Hastings et al.	2002/0128554 A1	9/2002	Seward
7,264,584 B2	9/2007	Ritter et al.	2002/0133079 A1	9/2002	Sandhu
7,270,662 B2	9/2007	Visram et al.	2002/0156363 A1	10/2002	Hunter et al.
7,275,682 B2	10/2007	Excoffier et al.	2002/0156376 A1	10/2002	Wang et al.
7,276,044 B2	10/2007	Ferry et al.	2002/0165448 A1	11/2002	Ben-Haim et al.
7,286,034 B2	10/2007	Creighton	2002/0165534 A1	11/2002	Hayzelden et al.
7,291,146 B2	11/2007	Steinke et al.	2002/0198568 A1	12/2002	Hafer et al.
7,297,140 B2	11/2007	Orlu et al.	2003/0009132 A1	1/2003	Schwartz et al.
7,308,296 B2	12/2007	Lys et al.	2003/0011359 A1	1/2003	Ashe
7,310,150 B2	12/2007	Guillermo et al.	2003/0013966 A1	1/2003	Barnes et al.
7,321,228 B2	1/2008	Govari	2003/0036696 A1	2/2003	Willis et al.
7,342,058 B2	3/2008	Peppmoller et al.	2003/0040671 A1	2/2003	Somogyi et al.
D566,284 S *	4/2008	Kitayama et al. D24/186	2003/0072805 A1	4/2003	Miyazawa et al.
7,355,716 B2	4/2008	de Boer et al.	2003/0076281 A1	4/2003	Morgan et al.
7,360,427 B2	4/2008	Drinkwater et al.	2003/0083698 A1	5/2003	Whitehurst et al.
7,366,376 B2	4/2008	Shishkov et al.	2003/0088195 A1	5/2003	Vardi et al.
7,366,562 B2	4/2008	Dukesherer et al.	2003/0100849 A1	5/2003	Jang
7,366,563 B2	4/2008	Kleen et al.	2003/0114742 A1	6/2003	Lewkowicz et al.
7,373,271 B1	5/2008	Schneider	2003/0114777 A1	6/2003	Griffin et al.
7,382,949 B2	6/2008	Bouma et al.	2003/0120150 A1	6/2003	Govari
7,418,169 B2	8/2008	Tearney et al.	2003/0120154 A1	6/2003	Sauer et al.
7,447,408 B2	11/2008	Bouma et al.	2003/0139661 A1	7/2003	Kimchy et al.
7,452,331 B1	11/2008	Pruter	2003/0149328 A1	8/2003	Elliott et al.
7,452,358 B2	11/2008	Stern et al.	2003/0149359 A1	8/2003	Smith
D585,556 S *	1/2009	Kosaku D24/186	2003/0152290 A1	8/2003	Odell
7,479,141 B2	1/2009	Kleen et al.	2003/0160721 A1	8/2003	Gilboa et al.
7,534,223 B2	5/2009	Boutilette et al.	2003/0163037 A1	8/2003	Bladen et al.
7,538,859 B2	5/2009	Tearney et al.	2003/0171691 A1	9/2003	Casscells et al.
7,547,282 B2	6/2009	Lo et al.	2003/0173953 A1	9/2003	Ashe
7,551,293 B2	6/2009	Yelin et al.	2003/0184544 A1	10/2003	Prudent
D599,909 S *	9/2009	Rinott et al. D24/186	2003/0191392 A1	10/2003	Haldeman
D603,050 S	10/2009	Chen	2003/0191460 A1	10/2003	Hobbs et al.
7,599,730 B2	10/2009	Hunter et al.	2003/0195420 A1	10/2003	Mendlein et al.
D603,520 S *	11/2009	Ninomiya et al. D24/187	2003/0199746 A1	10/2003	Fuimaono et al.
7,635,336 B1	12/2009	Pruter	2003/0208142 A1	11/2003	Boudewijn et al.
7,637,163 B2	12/2009	Fetzer et al.	2003/0216639 A1	11/2003	Gilboa et al.
7,640,053 B2	12/2009	Verin	2003/0220557 A1	11/2003	Cleary et al.
7,651,469 B2	1/2010	Osborne et al.	2003/0220578 A1	11/2003	Ho et al.
7,652,080 B2	1/2010	Peppmoller et al.	2003/0229298 A1	12/2003	Iwami et al.
D609,814 S *	2/2010	Banryu D24/187	2003/0233042 A1	12/2003	Ashe
7,665,893 B2	2/2010	Buchalter	2004/0015070 A1	1/2004	Liang et al.
7,668,583 B2	2/2010	Fegert et al.	2004/0024301 A1	2/2004	Hockett et al.
7,699,782 B2	4/2010	Angelsen et al.	2004/0030319 A1	2/2004	Korkor et al.
7,727,192 B2	6/2010	Tokumoto et al.	2004/0054278 A1	3/2004	Kimchy et al.
7,751,865 B2	7/2010	Jascob et al.	2004/0082916 A1	4/2004	Jenkins
7,766,839 B2	8/2010	Rogers et al.	2004/0087877 A1	5/2004	Besz et al.
7,774,051 B2	8/2010	Voth	2004/0088136 A1	5/2004	Ashe
7,794,407 B2	9/2010	Rothenberg	2004/0097803 A1	5/2004	Panescu
7,798,970 B2	9/2010	Lo et al.	2004/0097804 A1	5/2004	Sobe
7,819,810 B2	10/2010	Stringer et al.	2004/0097805 A1	5/2004	Verard et al.
D629,526 S	12/2010	Ladwig et al.	2004/0116809 A1	5/2004	Hunter et al.
D629,527 S	12/2010	Crunkilton	2004/0116809 A1	6/2004	Chow et al.
7,850,613 B2	12/2010	Stribling	2004/0127805 A1	7/2004	MacAdam et al.
D630,756 S	1/2011	Kitayama	2004/0131998 A1	7/2004	Marom et al.
D630,757 S	1/2011	Kitayama	2004/0133111 A1	7/2004	Szczzech et al.
7,909,815 B2	3/2011	Whitmore, III et al.	2004/0133130 A1	7/2004	Ferry et al.
			2004/0135069 A1	7/2004	Odell
			2004/0138564 A1	7/2004	Hwang et al.
			2004/0138570 A1	7/2004	Nita et al.
			2004/0147837 A1	7/2004	Macaulay et al.

(56)

References Cited

U.S. PATENT DOCUMENTS

2004/0150963	A1	8/2004	Holmberg et al.	2006/0206037	A1	9/2006	Braxton
2004/0152972	A1	8/2004	Hunter	2006/0211944	A1	9/2006	Mauge et al.
2004/0155609	A1	8/2004	Lys et al.	2006/0224188	A1	10/2006	Libbus et al.
2004/0158140	A1	8/2004	Fuimaono et al.	2006/0247746	A1	11/2006	Danek et al.
2004/0171924	A1	9/2004	Mire et al.	2006/0264756	A1	11/2006	Lo et al.
2004/0176688	A1	9/2004	Haldeman	2006/0276867	A1	12/2006	Viswanathan
2004/0186461	A1	9/2004	DiMatteo	2007/0010753	A1	1/2007	MacAdam
2004/0199069	A1	10/2004	Connelly et al.	2007/0016007	A1	1/2007	Govari et al.
2004/0210289	A1	10/2004	Wang et al.	2007/0016013	A1	1/2007	Camus
2004/0230271	A1	11/2004	Wang et al.	2007/0016068	A1	1/2007	Grunwald et al.
2004/0231065	A1	11/2004	Daniel et al.	2007/0016069	A1	1/2007	Grunwald et al.
2004/0234453	A1	11/2004	Smith	2007/0016070	A1	1/2007	Grunwald et al.
2004/0253365	A1	12/2004	Warren et al.	2007/0016072	A1	1/2007	Grunwald et al.
2004/0254470	A1	12/2004	Drinkwater et al.	2007/0049822	A1	3/2007	Bunce et al.
2004/0260174	A1	12/2004	Keene	2007/0049846	A1	3/2007	Bown et al.
2004/0267086	A1	12/2004	Anstadt et al.	2007/0055141	A1	3/2007	Kruger et al.
2005/0004450	A1	1/2005	Ben-Haim et al.	2007/0055142	A1	3/2007	Webler
2005/0021019	A1	1/2005	Hashimshony et al.	2007/0060992	A1	3/2007	Pappone
2005/0033150	A1	2/2005	Takahashi et al.	2007/0062544	A1	3/2007	Rauk Bergstrom et al.
2005/0033177	A1	2/2005	Rogers et al.	2007/0073155	A1	3/2007	Park et al.
2005/0038355	A1	2/2005	Gellman et al.	2007/0087038	A1	4/2007	Richardson et al.
2005/0049486	A1	3/2005	Urquhart et al.	2007/0093710	A1	4/2007	Maschke
2005/0049510	A1	3/2005	Haldeman et al.	2007/0100285	A1	5/2007	Griffin et al.
2005/0063194	A1	3/2005	Lys et al.	2007/0112282	A1	5/2007	Skujins et al.
2005/0070788	A1	3/2005	Wilson et al.	2007/0123769	A1	5/2007	Fuller et al.
2005/0075561	A1	4/2005	Golden	2007/0123805	A1	5/2007	Shireman et al.
2005/0085716	A1	4/2005	Hamm et al.	2007/0129770	A1	6/2007	Younis
2005/0085718	A1	4/2005	Shahidi	2007/0135803	A1	6/2007	Belson
2005/0085720	A1	4/2005	Jascob et al.	2007/0135886	A1	6/2007	Maschke
2005/0101868	A1	5/2005	Ridley et al.	2007/0156205	A1	7/2007	Larson et al.
2005/0101869	A1	5/2005	Burba et al.	2007/0161915	A1	7/2007	Desai
2005/0105081	A1	5/2005	Odell	2007/0167738	A1	7/2007	Timinger et al.
2005/0105101	A1	5/2005	Duling et al.	2007/0167801	A1	7/2007	Webler et al.
2005/0112135	A1	5/2005	Cormier et al.	2007/0167997	A1	7/2007	Forsberg et al.
2005/0113669	A1	5/2005	Helfer et al.	2007/0197905	A1	8/2007	Timinger et al.
2005/0113676	A1	5/2005	Weiner et al.	2007/0208255	A1	9/2007	Ridley et al.
2005/0113700	A1	5/2005	Yanagihara et al.	2007/0225589	A1	9/2007	Viswanathan
2005/0113873	A1	5/2005	Weiner et al.	2007/0225610	A1	9/2007	Mickley et al.
2005/0113874	A1	5/2005	Connelly et al.	2007/0232882	A1	10/2007	Glossop et al.
2005/0113876	A1	5/2005	Weiner et al.	2007/0238984	A1	10/2007	Maschke et al.
2005/0131291	A1	6/2005	Floyd et al.	2007/0239018	A1	10/2007	Fetzer et al.
2005/0149002	A1	7/2005	Wang et al.	2007/0244413	A1	10/2007	Biggins
2005/0151489	A1	7/2005	Lys et al.	2007/0247454	A1	10/2007	Rahn et al.
2005/0154308	A1	7/2005	Quistgaard et al.	2007/0249911	A1	10/2007	Simon
2005/0159644	A1	7/2005	Takano	2007/0265526	A1	11/2007	Govari et al.
2005/0159790	A1	7/2005	Shalev	2007/0280974	A1	12/2007	Son et al.
2005/0165301	A1	7/2005	Smith et al.	2007/0282196	A1	12/2007	Birk et al.
2005/0165313	A1	7/2005	Byron et al.	2007/0282197	A1	12/2007	Bill et al.
2005/0175665	A1	8/2005	Hunter et al.	2007/0299352	A1	12/2007	Harlev et al.
2005/0175703	A1	8/2005	Hunter et al.	2008/0008745	A1	1/2008	Stinchcomb et al.
2005/0178395	A1	8/2005	Hunter et al.	2008/0009720	A1	1/2008	Schefelker et al.
2005/0178396	A1	8/2005	Hunter et al.	2008/0015442	A1	1/2008	Watson et al.
2005/0182295	A1	8/2005	Soper et al.	2008/0027320	A1	1/2008	Bolorforosh et al.
2005/0203368	A1	9/2005	Verin	2008/0045908	A1	2/2008	Gould et al.
2005/0203396	A1	9/2005	Angelsen et al.	2008/0051626	A1	2/2008	Sato et al.
2005/0205081	A1	9/2005	Barker et al.	2008/0081958	A1	4/2008	Denison et al.
2005/0215901	A1	9/2005	Anderson et al.	2008/0082136	A1	4/2008	Gaudiani
2005/0215945	A1	9/2005	Harris et al.	2008/0097232	A1	4/2008	Rothenberg
2005/0222532	A1	10/2005	Bertolero et al.	2008/0108949	A1	5/2008	Beasley et al.
2005/0240102	A1	10/2005	Rachlin et al.	2008/0114095	A1	5/2008	Peppmoller et al.
2005/0256398	A1	11/2005	Hastings et al.	2008/0114370	A1	5/2008	Schoenefeld
2005/0256541	A1	11/2005	Stypulkowski	2008/0125772	A1	5/2008	Stone et al.
2006/0015003	A1	1/2006	Moaddes et al.	2008/0139944	A1	6/2008	Weymer et al.
2006/0025677	A1	2/2006	Verard et al.	2008/0146939	A1	6/2008	McMorrow et al.
2006/0058633	A1	3/2006	Hoshino et al.	2008/0146940	A1	6/2008	Jenkins et al.
2006/0068074	A1	3/2006	Stefandl	2008/0154100	A1	6/2008	Thalmeier et al.
2006/0084867	A1	4/2006	Tremblay et al.	2008/0166453	A1	7/2008	Steele et al.
2006/0116571	A1	6/2006	Maschke et al.	2008/0171934	A1	7/2008	Greenan et al.
2006/0116578	A1	6/2006	Grunwald et al.	2008/0183075	A1	7/2008	Govari et al.
2006/0149134	A1	7/2006	Soper et al.	2008/0200754	A1	8/2008	Buchalter
2006/0173329	A1	8/2006	Irioka et al.	2008/0228082	A1	9/2008	Scheirer et al.
2006/0173407	A1	8/2006	Shaughnessy et al.	2008/0255404	A1	10/2008	Nogawa et al.
2006/0176242	A1	8/2006	Jaramaz et al.	2008/0255475	A1	10/2008	Kondrosky et al.
2006/0184074	A1	8/2006	Vaezy et al.	2008/0275765	A1	11/2008	Kuchar
2006/0188487	A1	8/2006	Thomas et al.	2009/0005675	A1	1/2009	Grunwald et al.
				2009/0018497	A1	1/2009	Birchard et al.
				2009/0024018	A1	1/2009	Boyden et al.
				2009/0036774	A1	2/2009	Weng et al.
				2009/0043205	A1	2/2009	Pelissier et al.

(56)

References Cited

U.S. PATENT DOCUMENTS

2009/0076327 A1 3/2009 Ohki
 2009/0082661 A1 3/2009 Saladin et al.
 2009/0084382 A1 4/2009 Jalde et al.
 2009/0101577 A1 4/2009 Fulkerson et al.
 2009/0118612 A1 5/2009 Grunwald et al.
 2009/0118706 A1 5/2009 Schweikert et al.
 2009/0124901 A1 5/2009 Fink et al.
 2009/0136099 A1 5/2009 Boyden et al.
 2009/0143736 A1 6/2009 Mittermeyer et al.
 2009/0156926 A1 6/2009 Messerly et al.
 2009/0163810 A1 6/2009 Kanade et al.
 2009/0171217 A1 7/2009 Kim et al.
 2009/0177083 A1 7/2009 Matsumura
 2009/0177090 A1 7/2009 Grunwald et al.
 2009/0203989 A1 8/2009 Burnside et al.
 2009/0204113 A1 8/2009 MacAdam et al.
 2009/0209950 A1 8/2009 Starksen
 2009/0227952 A1 9/2009 Blakstvedt et al.
 2009/0234328 A1 9/2009 Cox et al.
 2009/0258171 A1 10/2009 Uang
 2009/0259124 A1 10/2009 Rothenberg
 2009/0262982 A1 10/2009 Markowitz et al.
 2009/0275828 A1 11/2009 Shachar et al.
 2009/0297441 A1 12/2009 Canham et al.
 2010/0004543 A1 1/2010 Ahlund et al.
 2010/0004547 A1 1/2010 Scholz et al.
 2010/0016726 A1 1/2010 Meier
 2010/0036227 A1 2/2010 Cox et al.
 2010/0049062 A1 2/2010 Ziv
 2010/0055153 A1 3/2010 Majmudar
 2010/0055184 A1 3/2010 Zeitels et al.
 2010/0057157 A1 3/2010 Govari et al.
 2010/0060472 A1 3/2010 Kimura et al.
 2010/0083719 A1 4/2010 Peppmoller et al.
 2010/0094116 A1 4/2010 Silverstein
 2010/0106011 A1 4/2010 Byrd et al.
 2010/0114573 A1 5/2010 Huang et al.
 2010/0143119 A1 6/2010 Kooijman et al.
 2010/0179429 A1 7/2010 Ho et al.
 2010/0185097 A1 7/2010 Hall
 2010/0198048 A1 8/2010 Togawa
 2010/0204569 A1 8/2010 Burnside et al.
 2010/0217116 A1 8/2010 Eck et al.
 2010/0222664 A1 9/2010 Lemon et al.
 2010/0234733 A1 9/2010 Wahlheim
 2010/0249598 A1 9/2010 Smith et al.
 2010/0258033 A1 10/2010 Yang et al.
 2010/0273895 A1 10/2010 Stinchcomb et al.
 2010/0298702 A1 11/2010 Rogers et al.
 2010/0317981 A1 12/2010 Grunwald
 2010/0318026 A1 12/2010 Grunwald
 2010/0331712 A1 12/2010 Rothenberg
 2011/0015527 A1 1/2011 Heasty et al.
 2011/0015533 A1 1/2011 Cox et al.
 2011/0040187 A1 2/2011 Matsumura
 2011/0040212 A1 2/2011 Dietz et al.
 2011/0052694 A1 3/2011 Stinchcomb et al.
 2011/0087107 A1 4/2011 Lindekugel et al.
 2011/0171286 A1 7/2011 Cecile et al.
 2011/0196248 A1 8/2011 Grunwald
 2011/0278500 A1 11/2011 Bergeron
 2011/0282188 A1 11/2011 Burnside et al.
 2011/0295108 A1 12/2011 Cox et al.
 2011/0313293 A1 12/2011 Lindekugel et al.
 2012/0046562 A1 2/2012 Powers et al.
 2012/0059270 A1 3/2012 Grunwald
 2012/0095319 A1 4/2012 Kondrosky et al.
 2012/0108950 A1 5/2012 He et al.
 2012/0143029 A1 6/2012 Silverstein et al.

2012/0165679 A1 6/2012 Orome et al.
 2012/0220854 A1 8/2012 Messerly et al.
 2013/0006102 A1 1/2013 Wilkes et al.
 2013/0060116 A1 3/2013 Messerly et al.
 2013/0116571 A1 5/2013 Cox et al.
 2013/0123597 A1 5/2013 Rothenberg
 2014/0180116 A1 6/2014 Lindekugel et al.

FOREIGN PATENT DOCUMENTS

AU 20009592 9/2000
 AU 20015250 6/2001
 AU 768362 B2 12/2003
 AU 2001229024 B2 9/2005
 AU 2001283703 B2 5/2006
 AU 2006202149 6/2006
 AU 2006904933 9/2006
 CA 2420676 2/2002
 CN 102209490 A 10/2011
 DE 4319033 C1 6/1994
 EP 0359697 3/1990
 EP 0362821 4/1990
 EP 0399536 A1 11/1990
 EP 0823261 A2 2/1998
 EP 1311226 A1 5/2003
 EP 1504713 A1 2/2005
 EP 2313143 A1 4/2011
 EP 2440122 A1 4/2012
 FR 2545349 11/1984
 JP 01097440 4/1989
 JP 03173542 A 7/1991
 JP 4090741 8/1992
 JP 09-094298 A 4/1997
 JP 10043310 2/1998
 JP 10290839 A 11/1998
 JP 11128237 A 5/1999
 JP 2001161683 6/2001
 JP 2001340334 12/2001
 JP 2003501127 A 1/2003
 JP 2003061752 A 3/2003
 JP 2003299654 10/2003
 JP 2003334191 11/2003
 JP 2002520893 2/2004
 JP 2004505748 T 2/2004
 JP 2004515298 A 5/2004
 JP 2006508744 A 3/2006
 JP 5010604 6/2012
 WO 9203090 3/1992
 WO 9403159 A1 2/1994
 WO 9404938 3/1994
 WO 9605768 A1 2/1996
 WO 9607352 A1 3/1996
 WO 9641119 12/1996
 WO 9729683 A1 8/1997
 WO 9743989 A1 11/1997
 WO 9916495 A1 4/1999
 WO 0019906 4/2000
 WO 0040155 7/2000
 WO 2012058461 A1 5/2012
 WO 2012060562 A2 5/2012
 WO 2012083245 A1 6/2012
 WO 2012088535 A1 6/2012
 WO 2013188833 A2 12/2013
 WO 2014134171 A1 9/2014

OTHER PUBLICATIONS

U.S. Appl. No. 12/900,750, filed Oct. 8, 2010 Final Office Action dated Sep. 4, 2014.

U.S. Appl. No. 13/206,396, filed Aug. 9, 2011 Final Office Action dated Jul. 31, 2014.

* cited by examiner

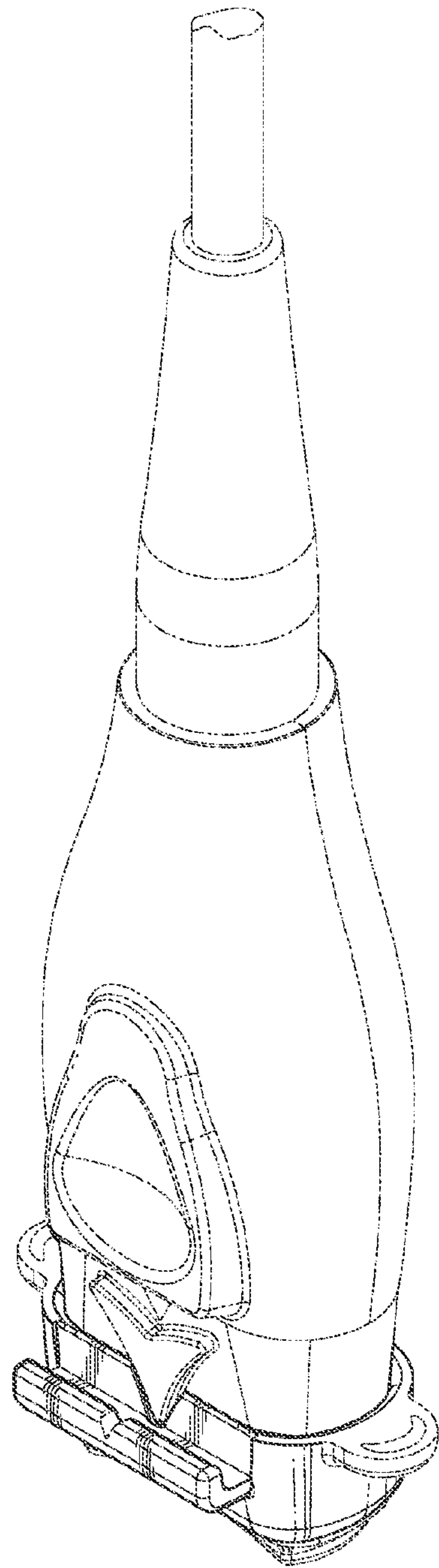


FIG. 1

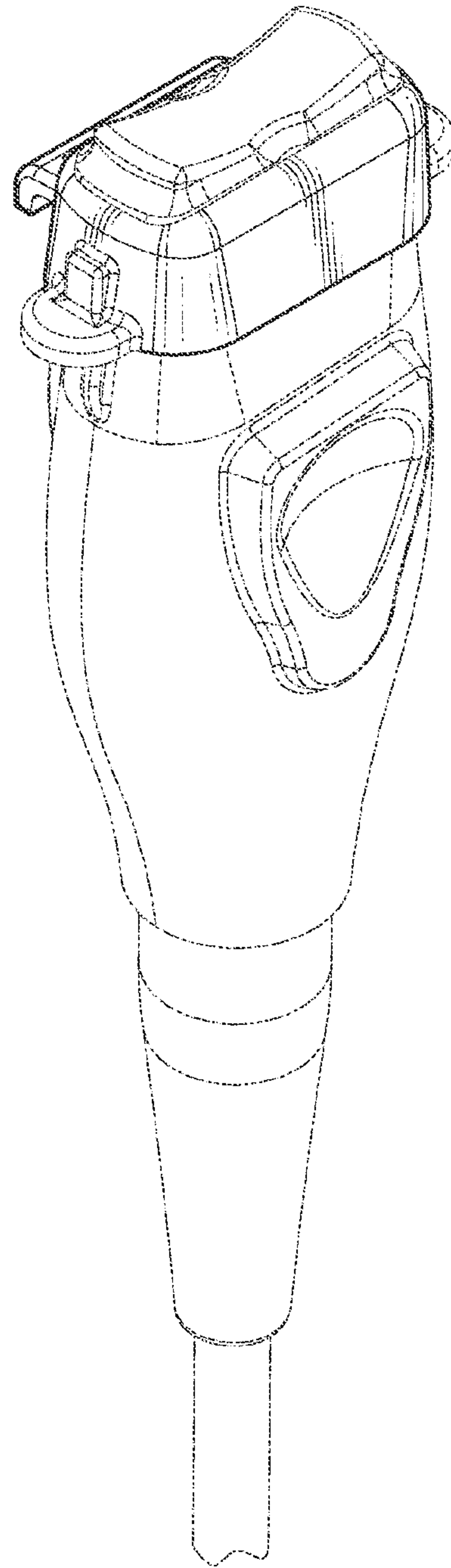


FIG. 2

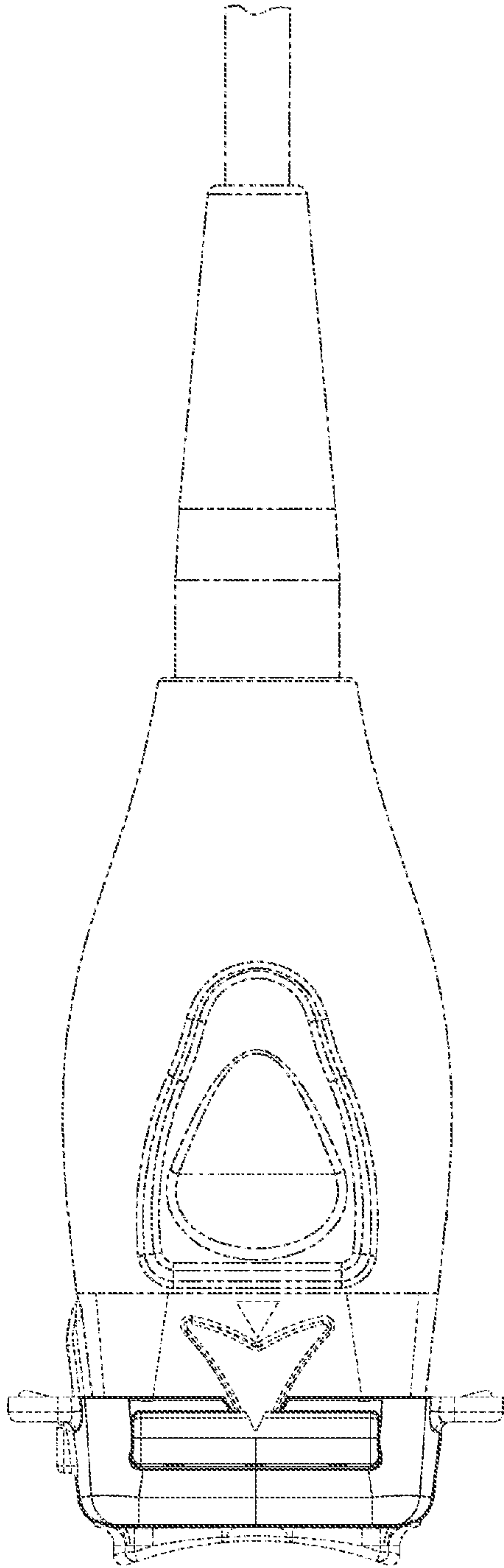


FIG. 3

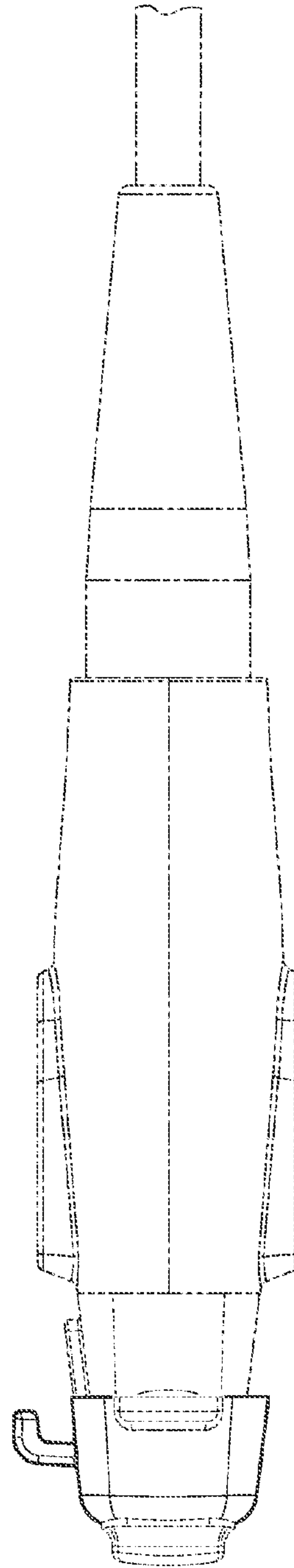


FIG. 4

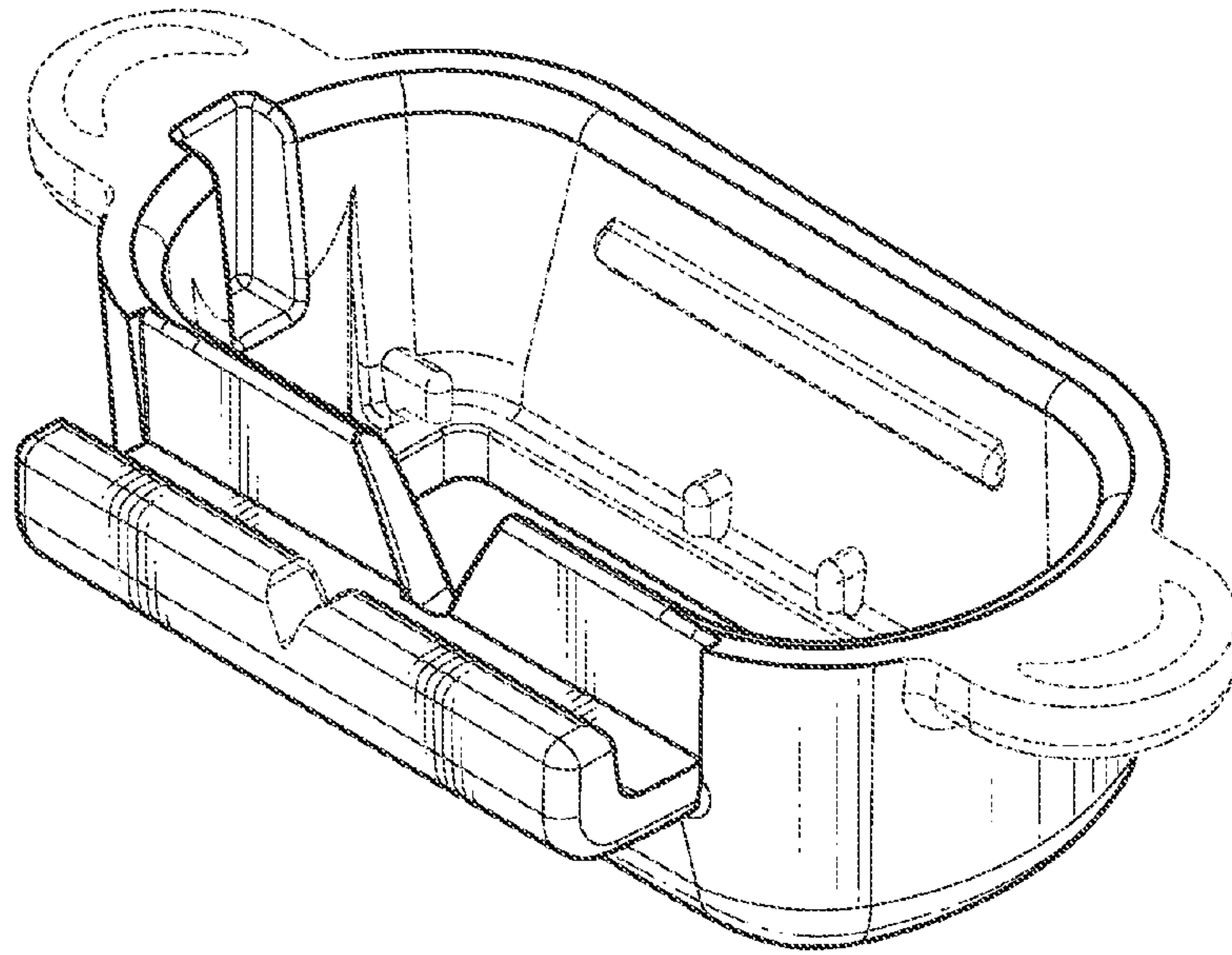


FIG. 5

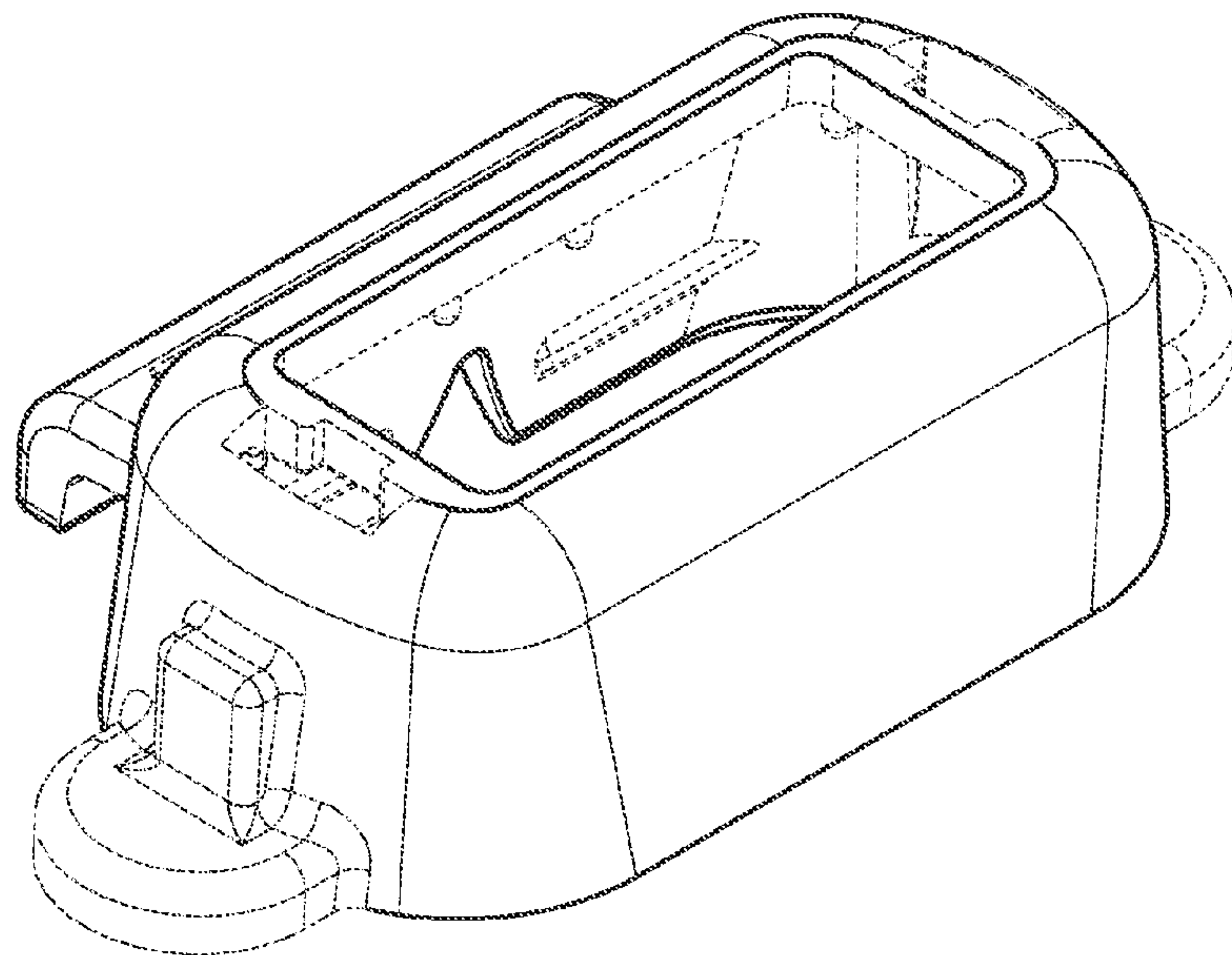


FIG. 6

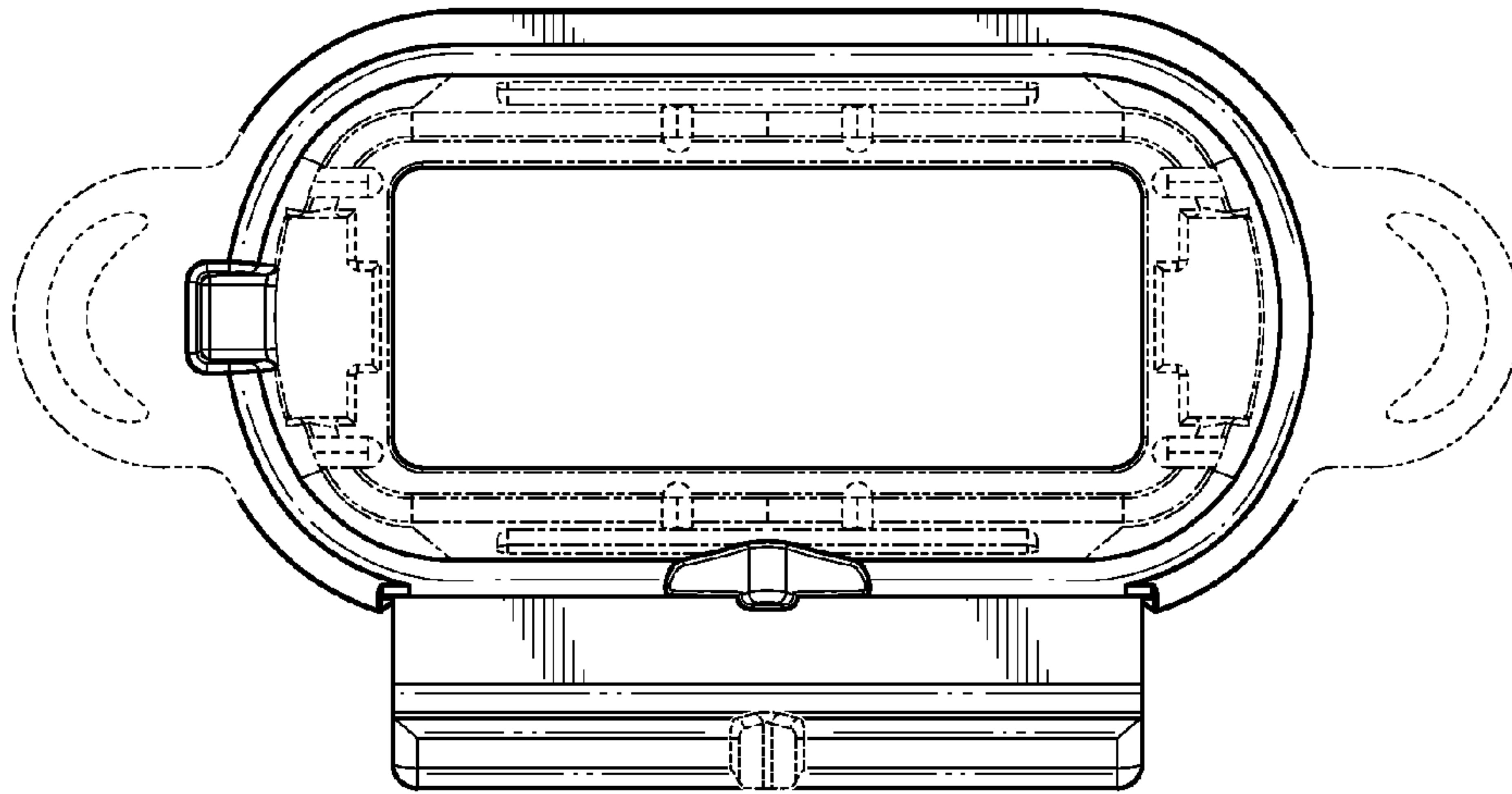


FIG. 7

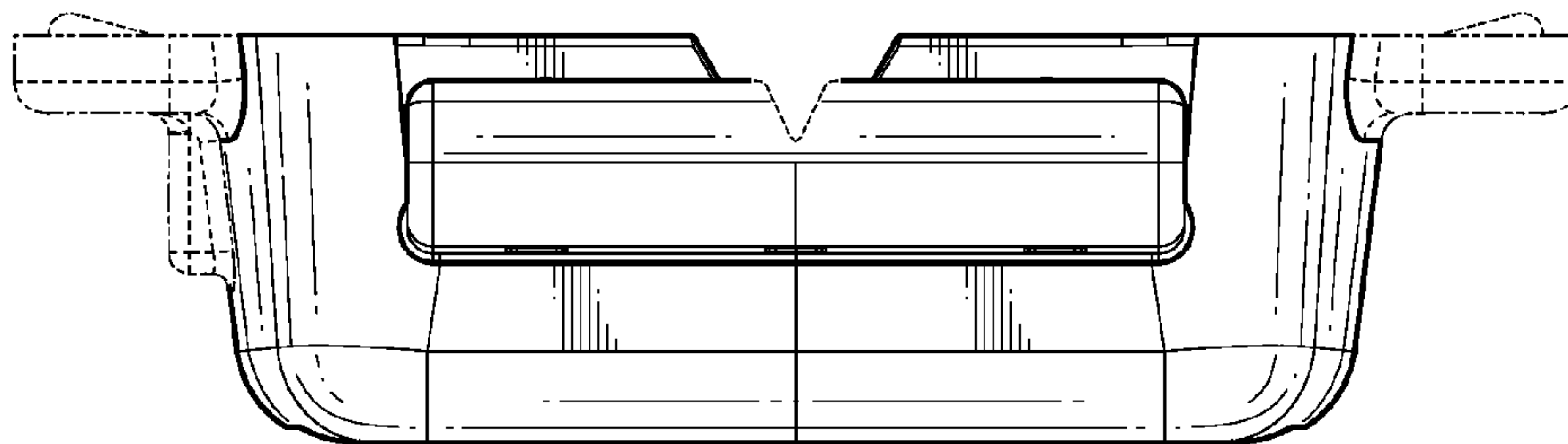


FIG. 8

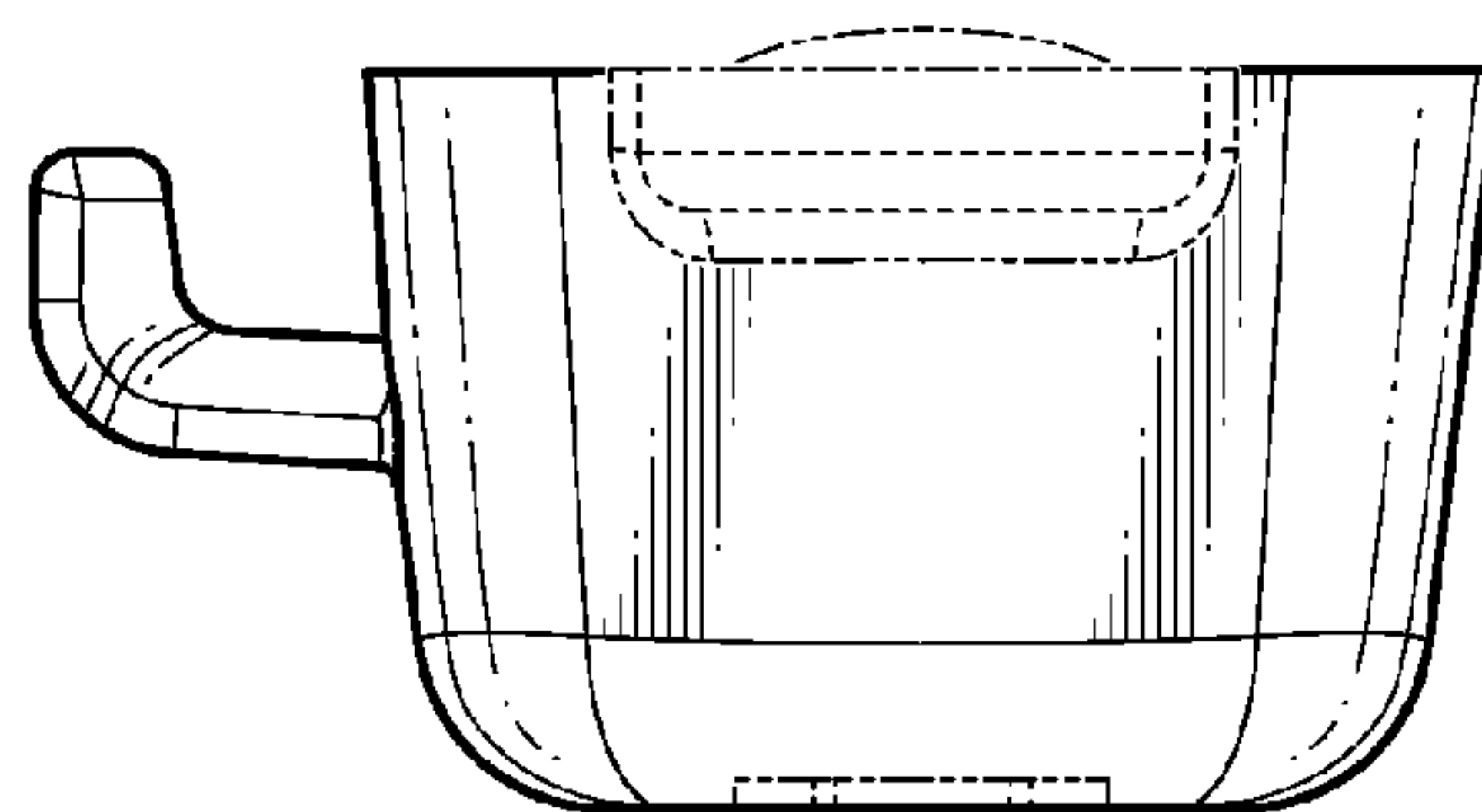


FIG. 9

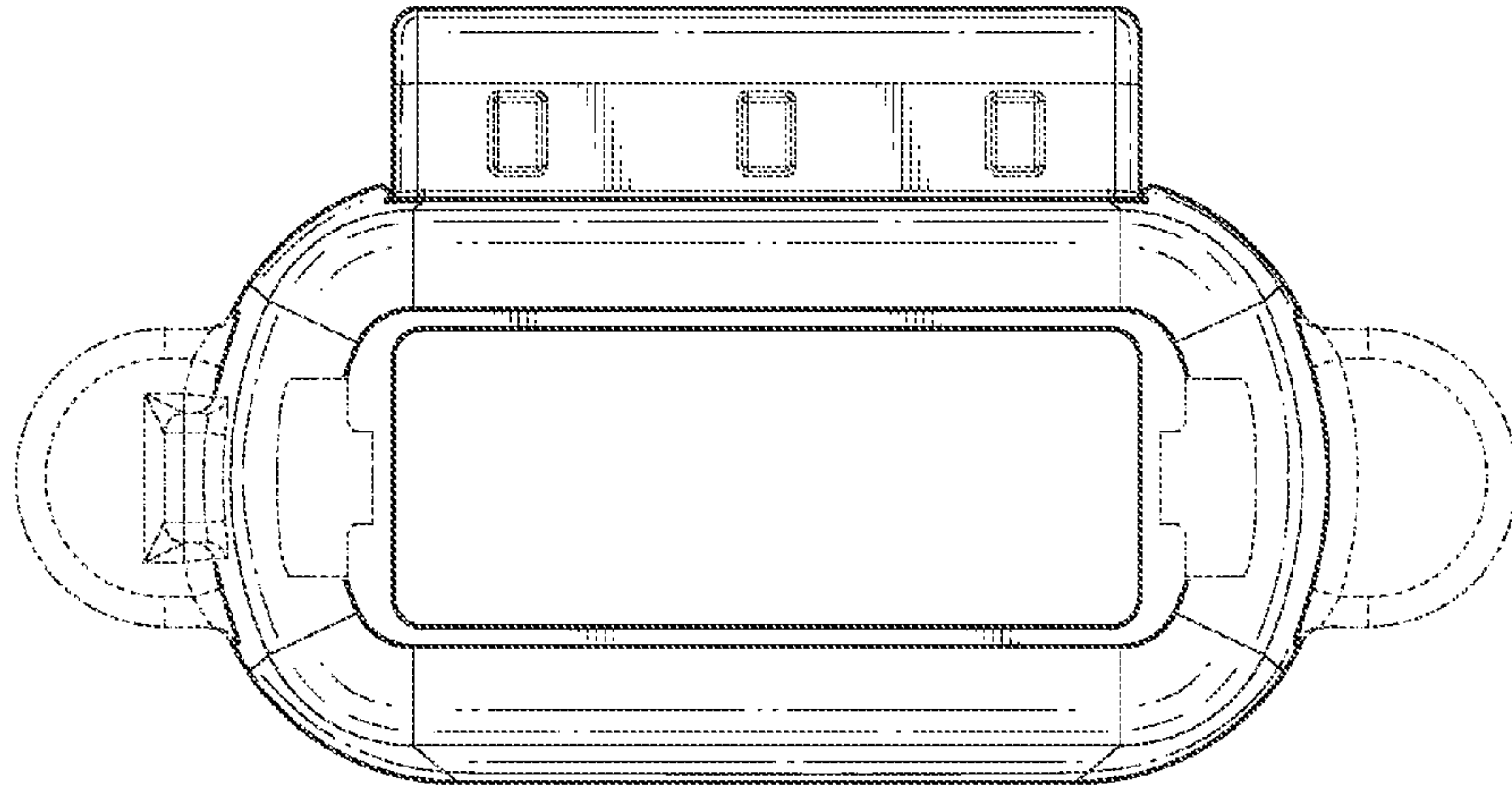


FIG. 10

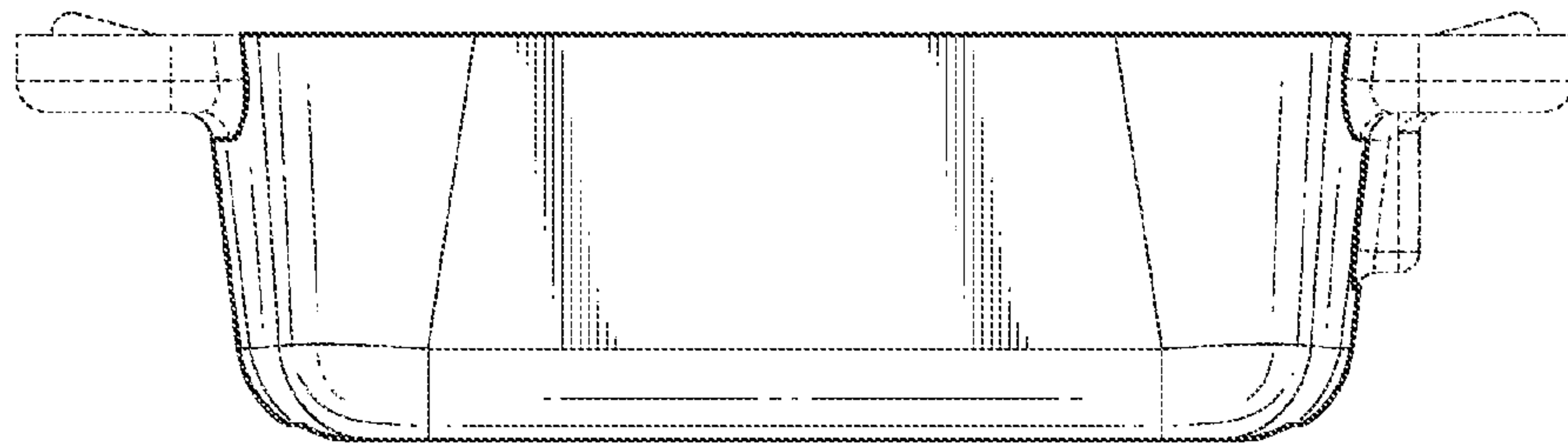


FIG. 11

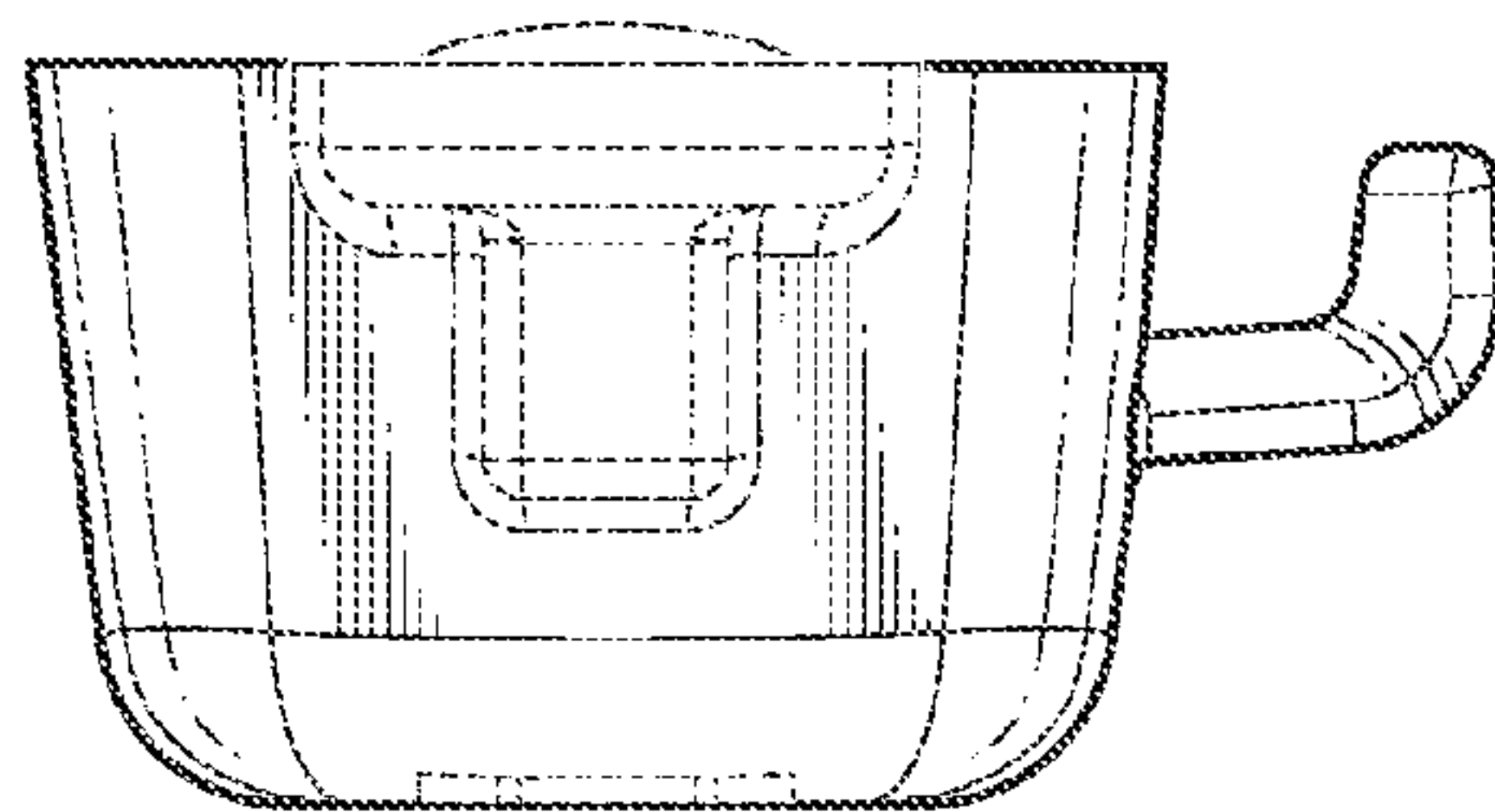


FIG. 12