

US00D724742S

(12) **United States Design Patent**
Johnson

(10) **Patent No.:** **US D724,742 S**

(45) **Date of Patent:** **** Mar. 17, 2015**

(54) **REAR PANEL OF AN ENCLOSURE**

(71) Applicant: **DEKA Products Limited Partnership,**
Manchester, NH (US)

(72) Inventor: **Matthew J. Johnson,** Dunbarton, NH
(US)

(73) Assignee: **DEKA Products Limited Partnership,**
Manchester, NH (US)

(**) Term: **14 Years**

(21) Appl. No.: **29/493,117**

(22) Filed: **Jun. 5, 2014**

(51) **LOC (10) Cl.** **24-01**

(52) **U.S. Cl.**
USPC **D24/169**

(58) **Field of Classification Search**
USPC D24/169, 186, 107, 108, 111, 216, 219,
D24/232; 604/27, 29, 131, 132, 140, 141,
604/146

See application file for complete search history.

(56) **References Cited**

U.S. PATENT DOCUMENTS

D308,249 S *	5/1990	Buckley	D24/169
D351,470 S *	10/1994	Scherer et al.	D24/169
D556,910 S *	12/2007	Reihanifam et al.	D24/169
D627,470 S *	11/2010	Hickey et al.	D24/169
D639,930 S *	6/2011	Collins et al.	D24/107

* cited by examiner

Primary Examiner — Anhdao Doan

(74) *Attorney, Agent, or Firm* — Marc J. Gorayeb

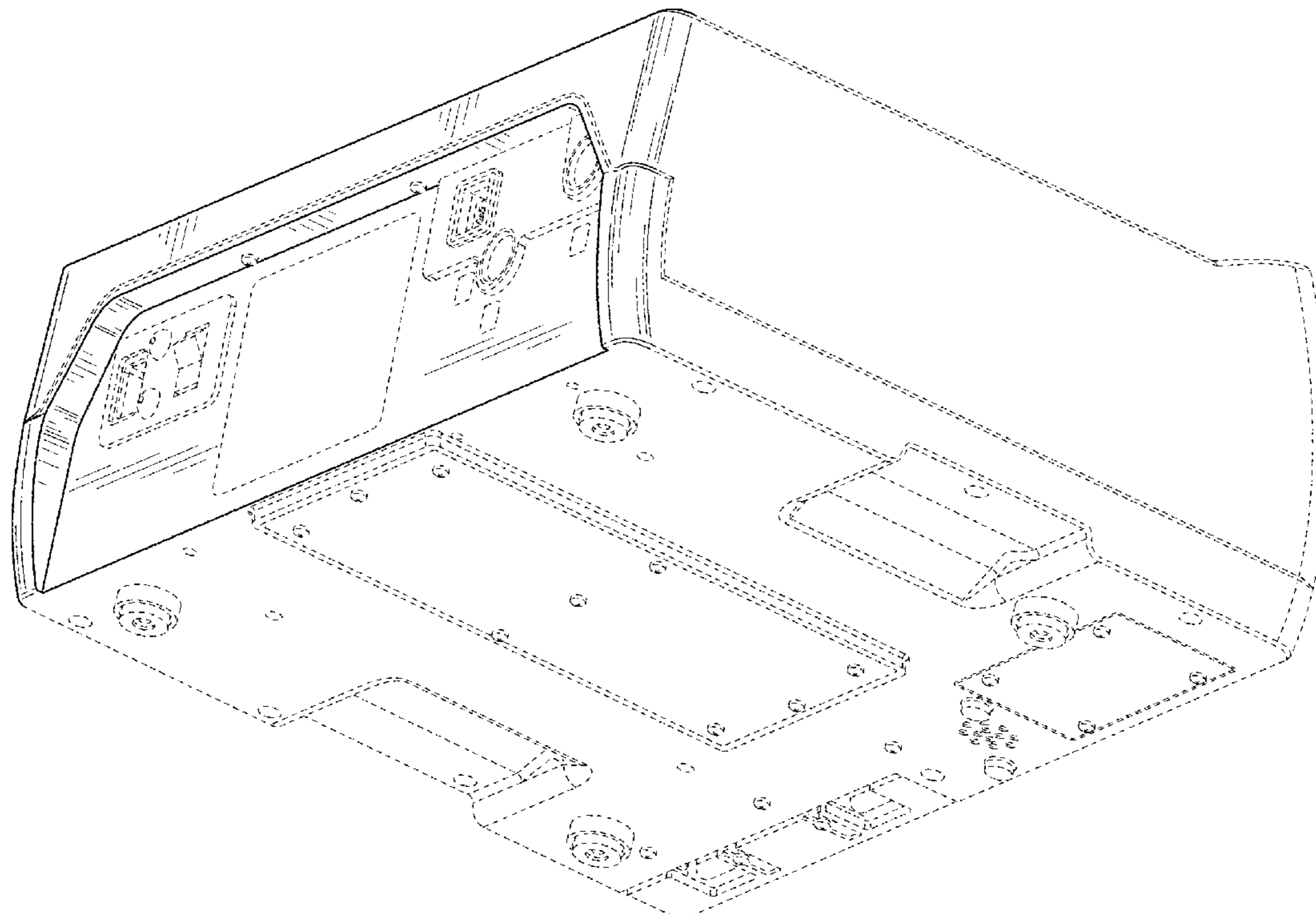
(57) **CLAIM**

The ornamental design for a rear panel of an enclosure, as shown and described.

DESCRIPTION

FIG. 1 is a back, bottom, and left side perspective view of the rear panel of an enclosure, showing the new design; FIG. 2 is a back, bottom, and right side perspective view thereof; FIG. 3 is a back side elevational view thereof; FIG. 4 is a bottom plan view thereof; FIG. 5 is a top plan view thereof; FIG. 6 is a left side elevational view thereof; and, FIG. 7 is a right side elevational view thereof. The broken lines represent unclaimed portions of the rear panel of an enclosure and form no part of the claimed design.

1 Claim, 6 Drawing Sheets



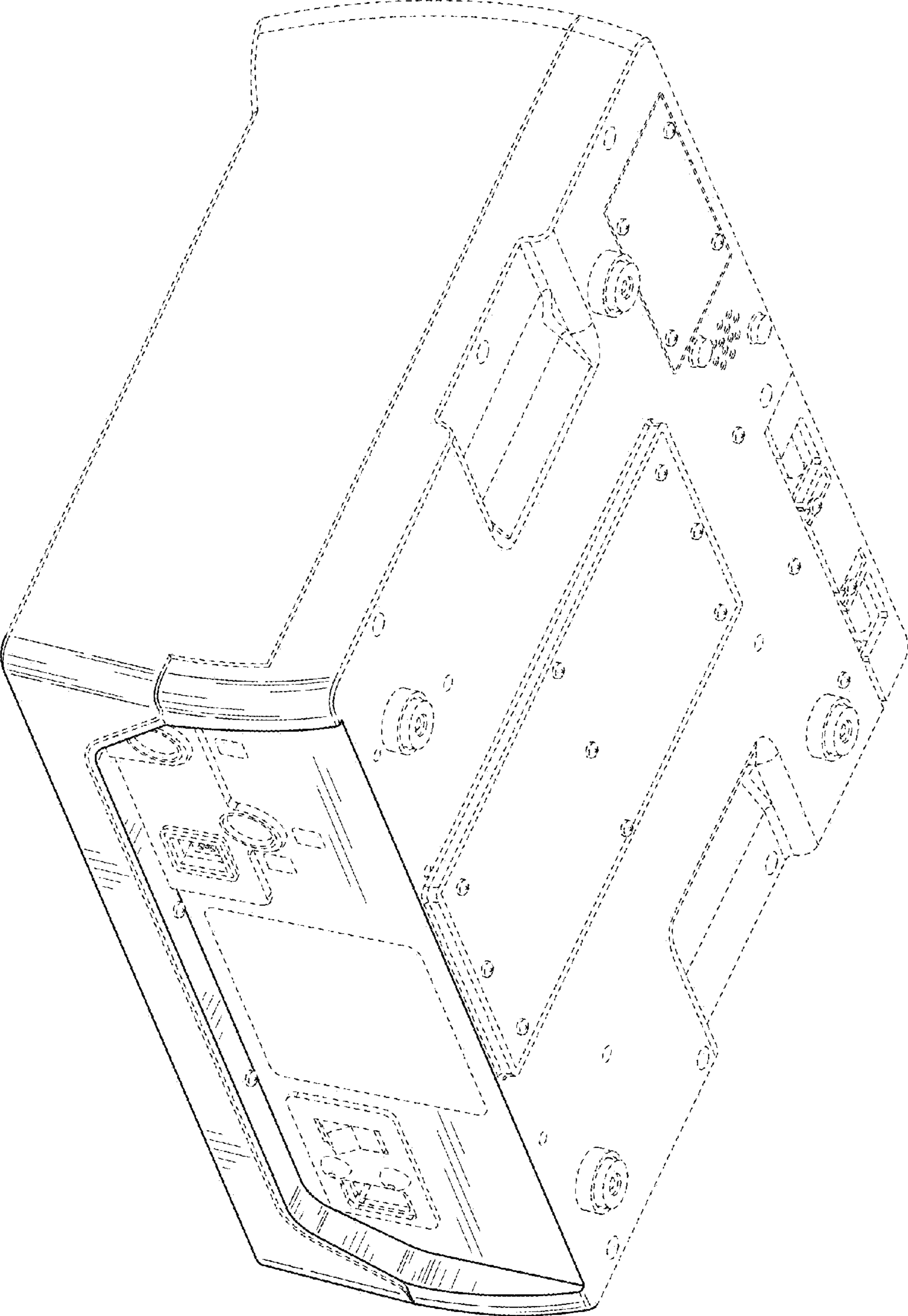


FIG. 1

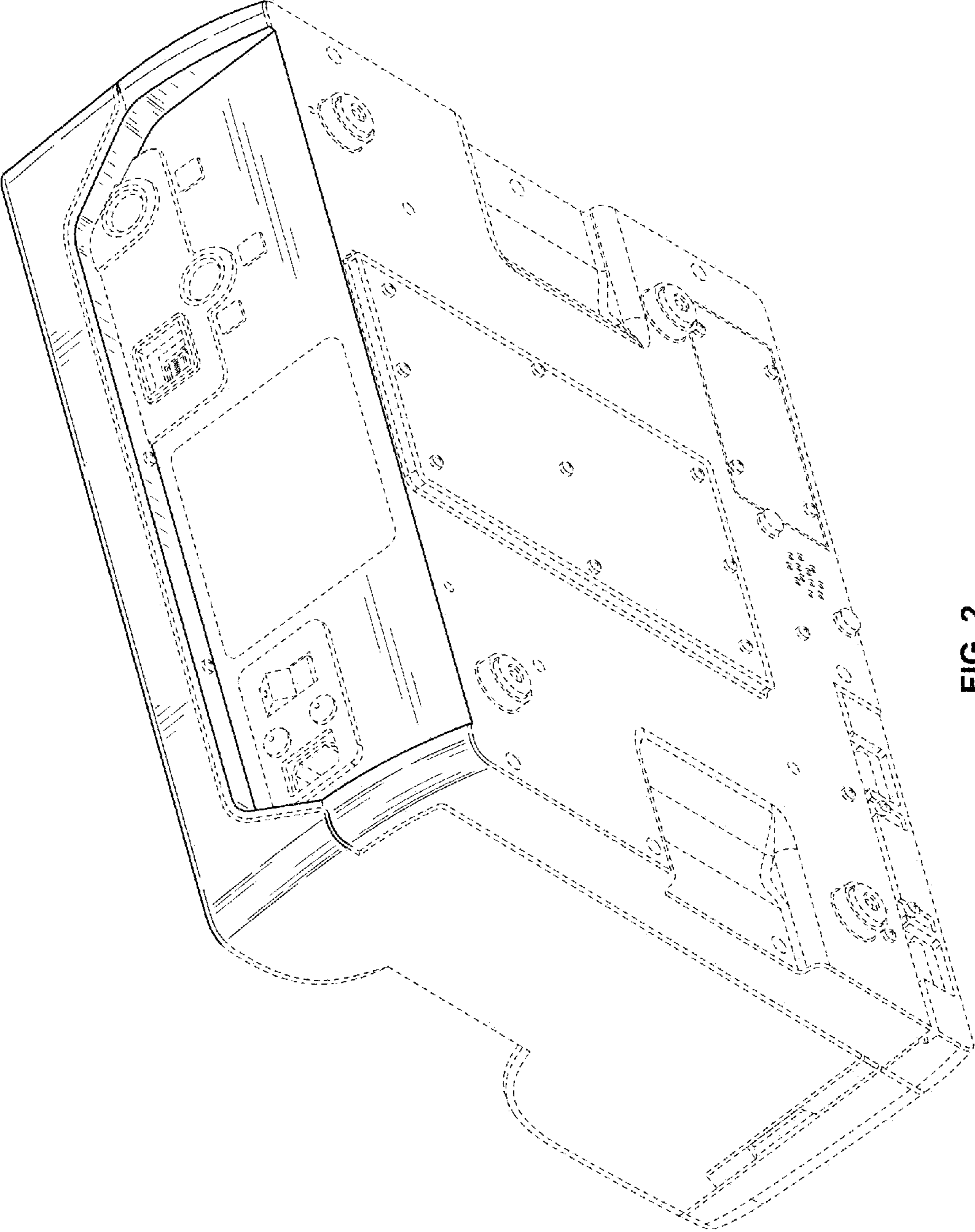


FIG. 2

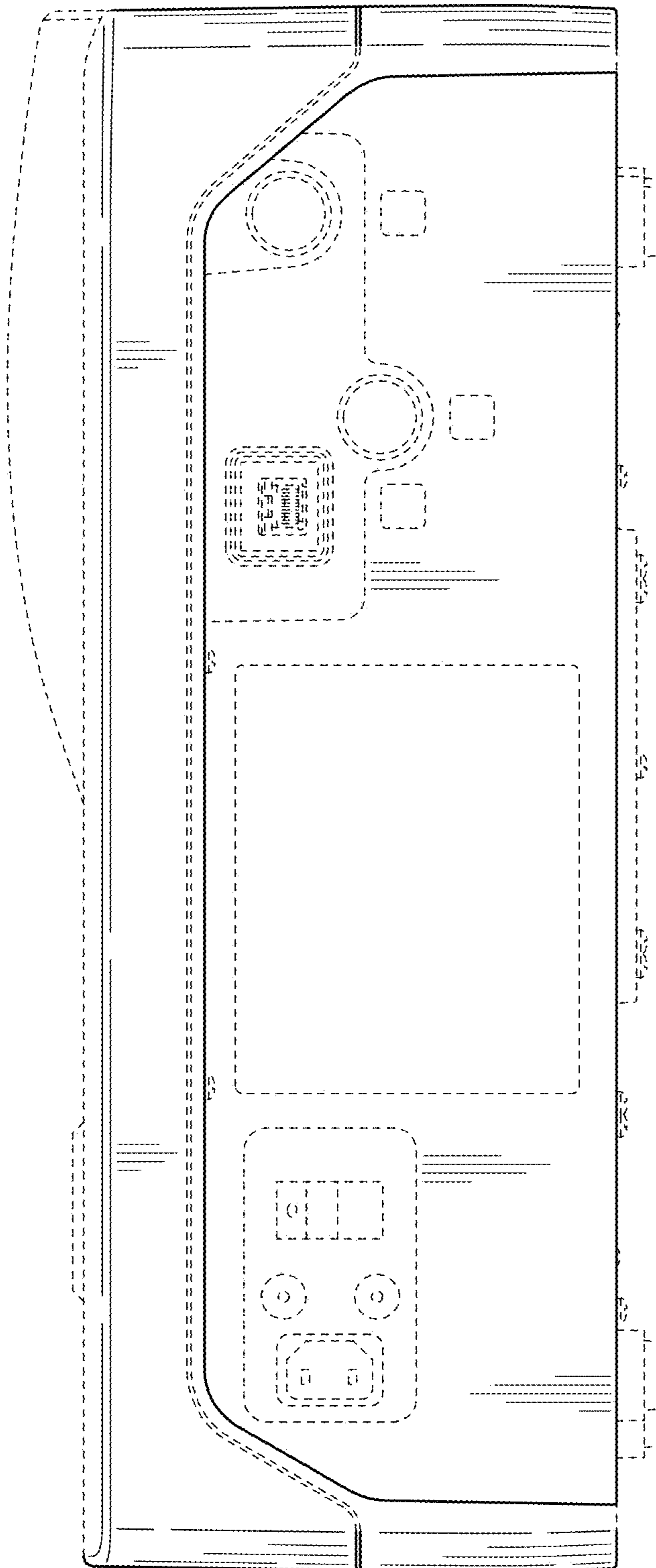


FIG. 3

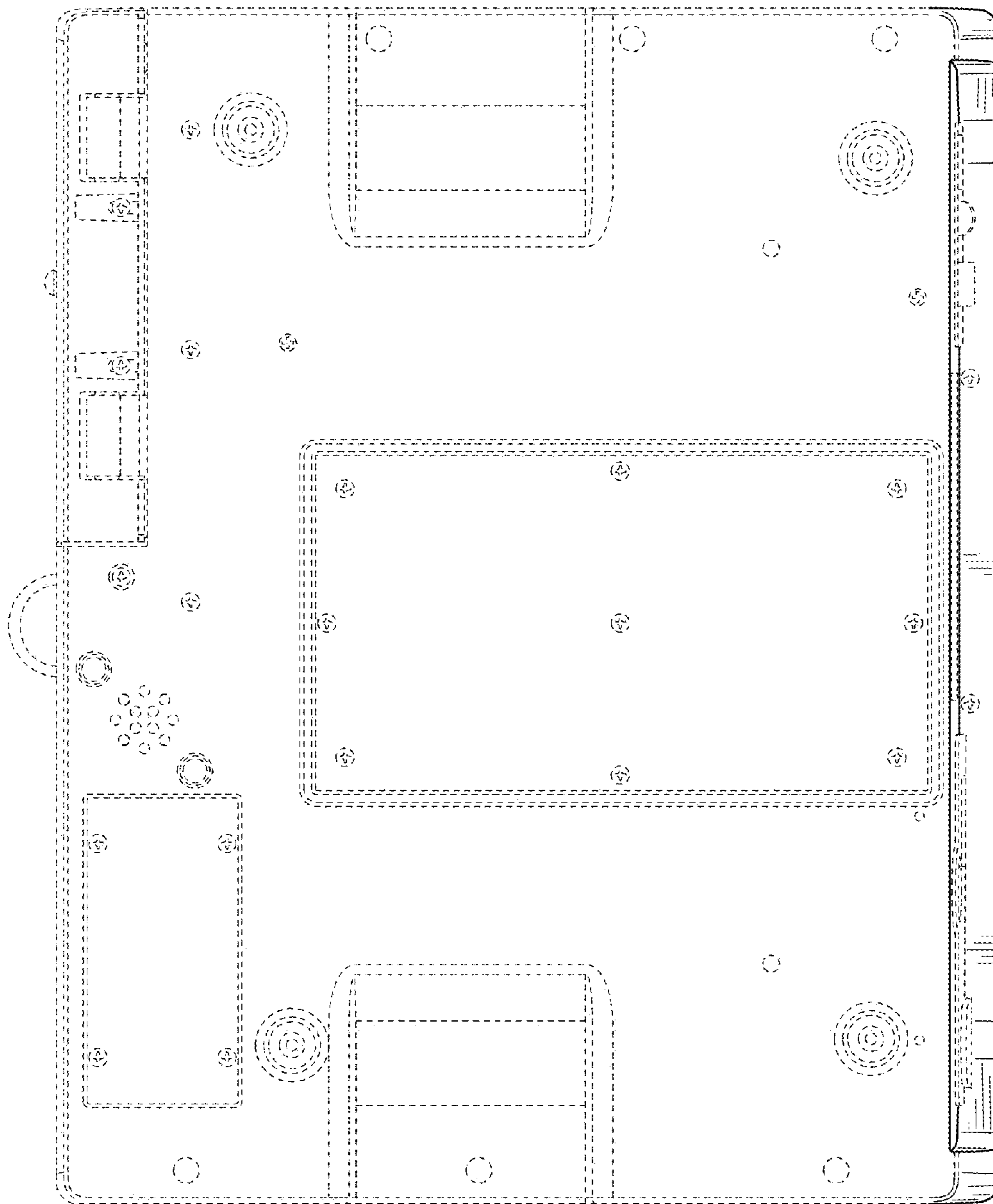


FIG. 4

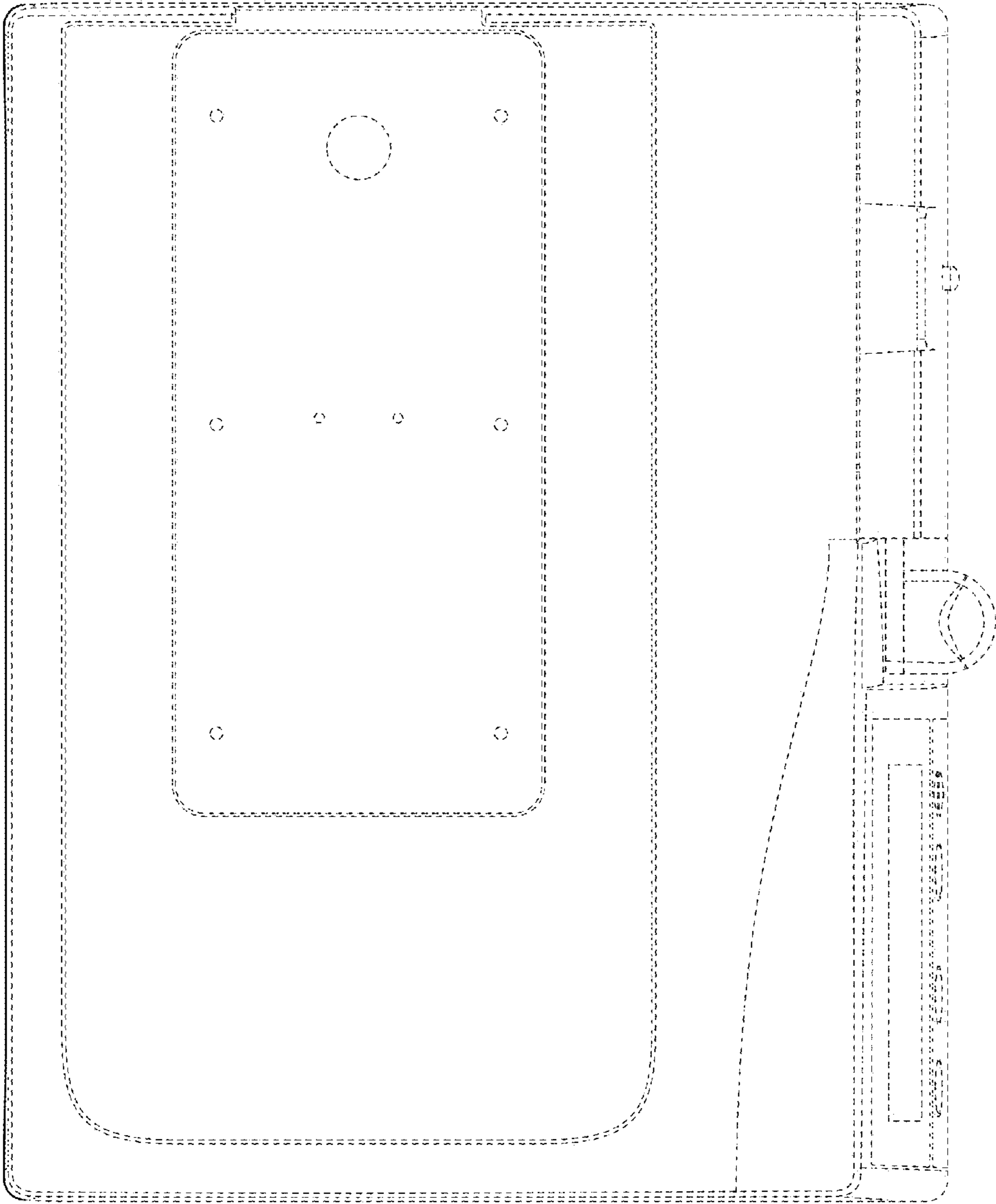


FIG. 5

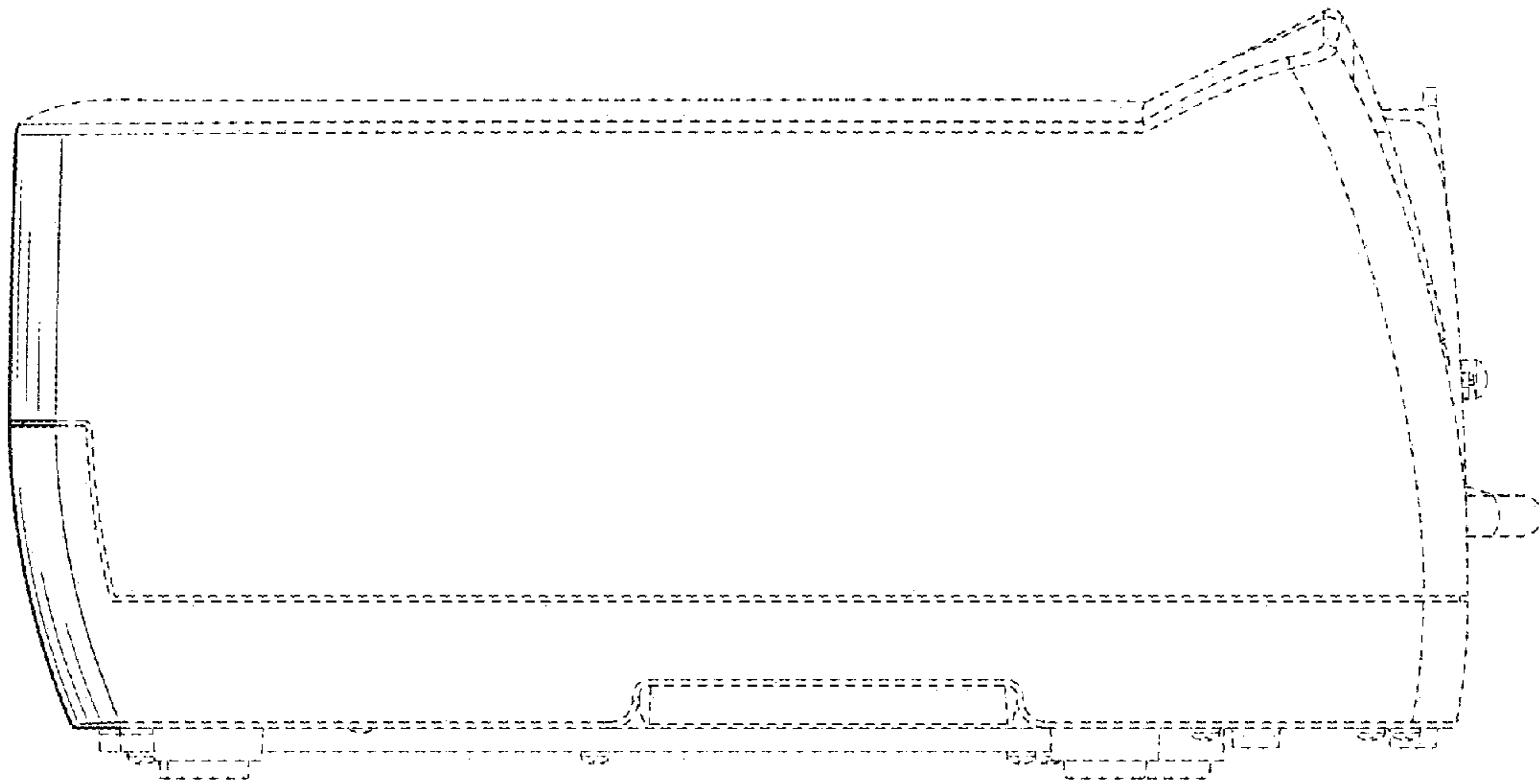


FIG. 6

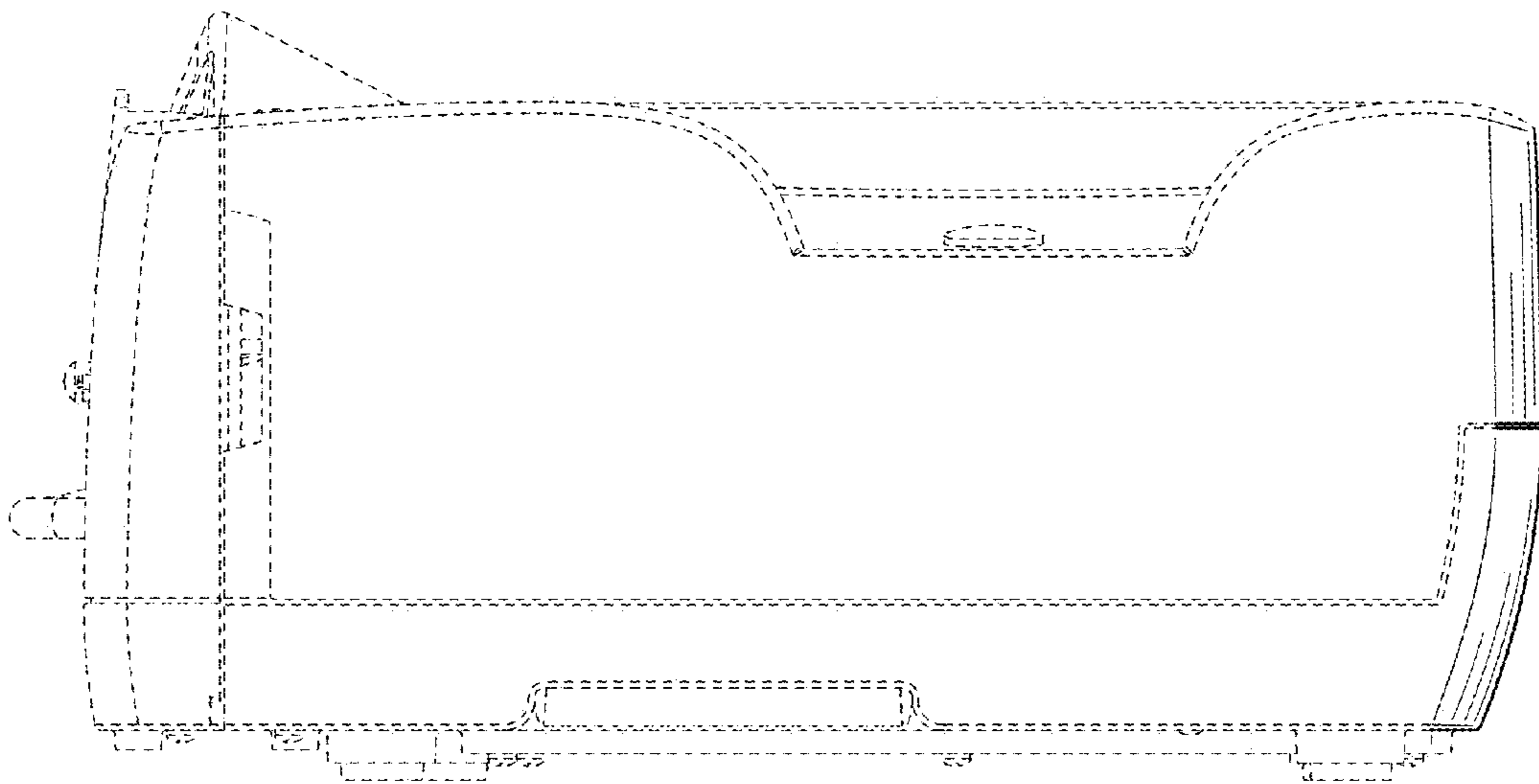


FIG. 7