



US00D724741S

(12) **United States Design Patent**  
**Collins**

(10) **Patent No.:** **US D724,741 S**  
(45) **Date of Patent:** **\*\* Mar. 17, 2015**

- (54) **ENCLOSURE SKIRT FOR A PERITONEAL DIALYSIS DEVICE**
- (71) Applicant: **DEKA Products Limited Partnership**,  
Manchester, NH (US)
- (72) Inventor: **David E. Collins**, Groveland, MA (US)
- (73) Assignee: **DEKA Products Limited Partnership**,  
Manchester, NH (US)
- (\*\*) Term: **14 Years**
- (21) Appl. No.: **29/493,113**
- (22) Filed: **Jun. 5, 2014**
- (51) **LOC (10) Cl.** ..... **24-01**
- (52) **U.S. Cl.**  
USPC ..... **D24/169**
- (58) **Field of Classification Search**  
USPC ..... D24/169, 186, 107, 108, 111, 216, 219,  
D24/232; 604/27, 29, 131, 132, 140, 141,  
604/146  
See application file for complete search history.

- D556,910 S \* 12/2007 Reihanifam et al. .... D24/169
- D637,293 S \* 5/2011 Hickey et al. .... D24/169
- D645,157 S \* 9/2011 Fallon et al. .... D24/227
- 2009/0222119 A1\* 9/2009 Plahey et al. .... 604/29
- 2013/0037142 A1\* 2/2013 Farrell ..... 137/565.01
- 2014/0018728 A1\* 1/2014 Plahey et al. .... 604/29

\* cited by examiner

*Primary Examiner* — Anhdao Doan

(74) *Attorney, Agent, or Firm* — Marc J. Gorayeb

(57) **CLAIM**

The ornamental design for a enclosure skirt for a peritoneal dialysis device, as shown and described.

**DESCRIPTION**

FIG. 1 is a front, top, and right side perspective view of the enclosure skirt for a peritoneal dialysis device, showing the new design;

FIG. 2 is a front side elevational view thereof;

FIG. 3 is a rear side elevational view thereof;

FIG. 4 is a right side elevational view thereof.

FIG. 5 is a left side elevational view thereof; and

FIG. 6 is a top plan view thereof; and,

FIG. 7 is a bottom plan view thereof.

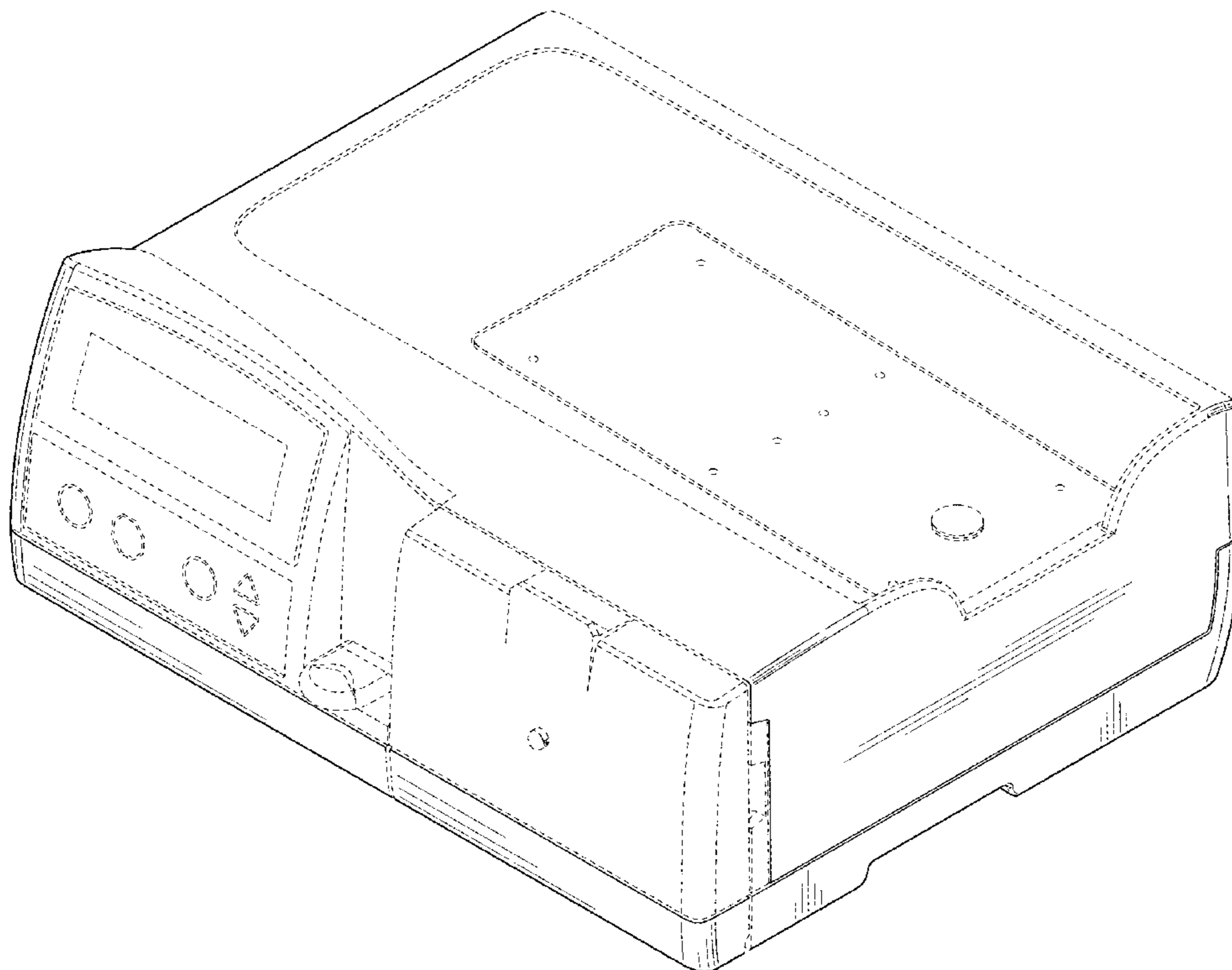
The broken lines represent unclaimed portions of the enclosure skirt for a peritoneal dialysis device and form no part of the claimed design.

**1 Claim, 6 Drawing Sheets**

(56) **References Cited**

**U.S. PATENT DOCUMENTS**

- D308,249 S \* 5/1990 Buckley ..... D24/169
- D351,470 S \* 10/1994 Scherer et al. .... D24/169
- 5,431,626 A \* 7/1995 Bryant et al. .... 604/65
- 5,938,634 A \* 8/1999 Packard ..... 604/29



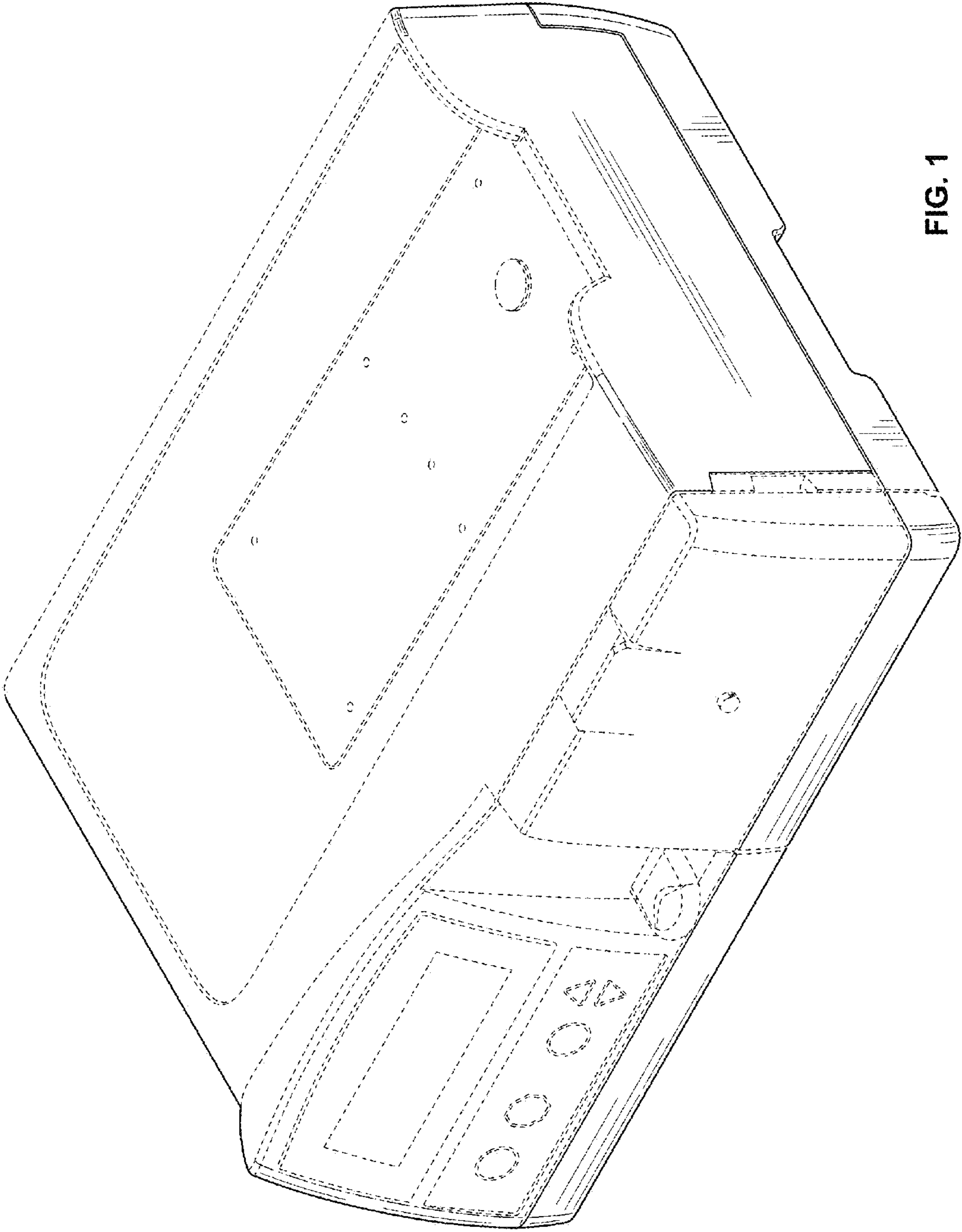


FIG. 1

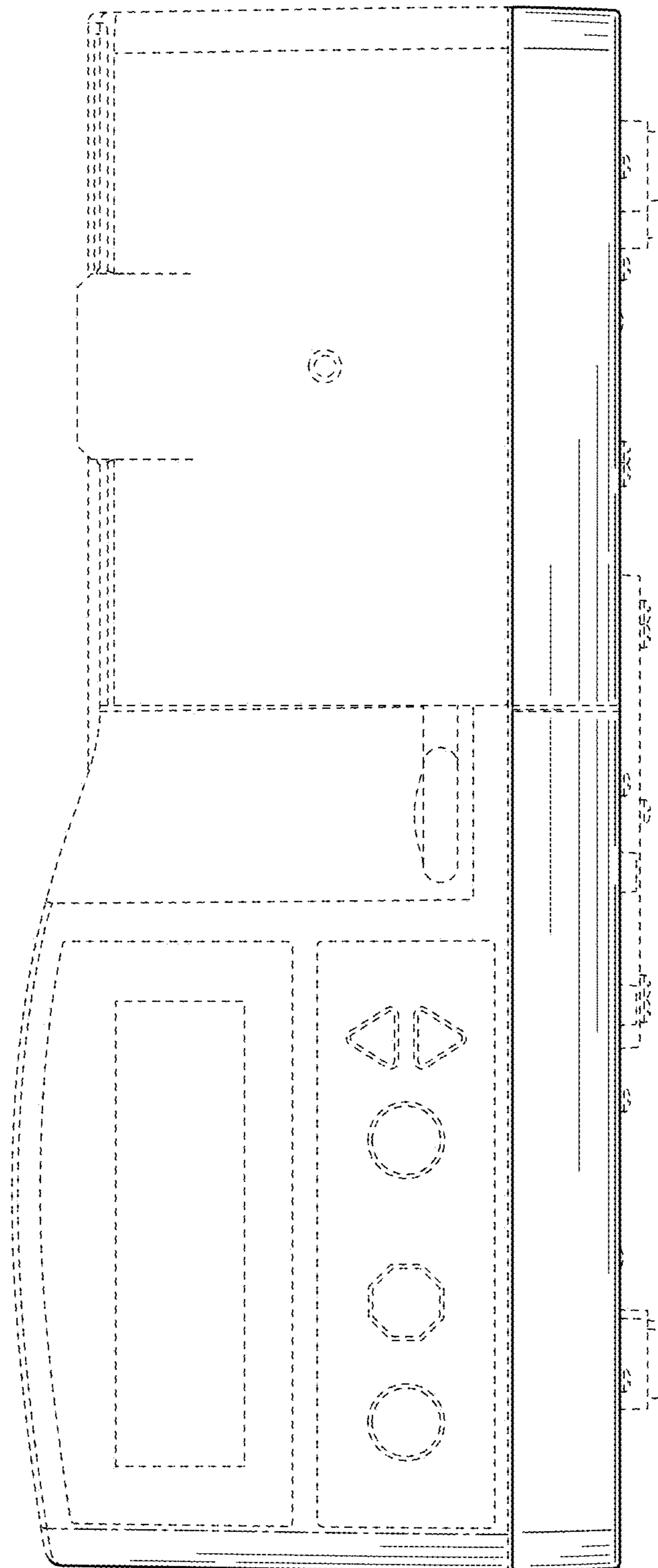


FIG. 2

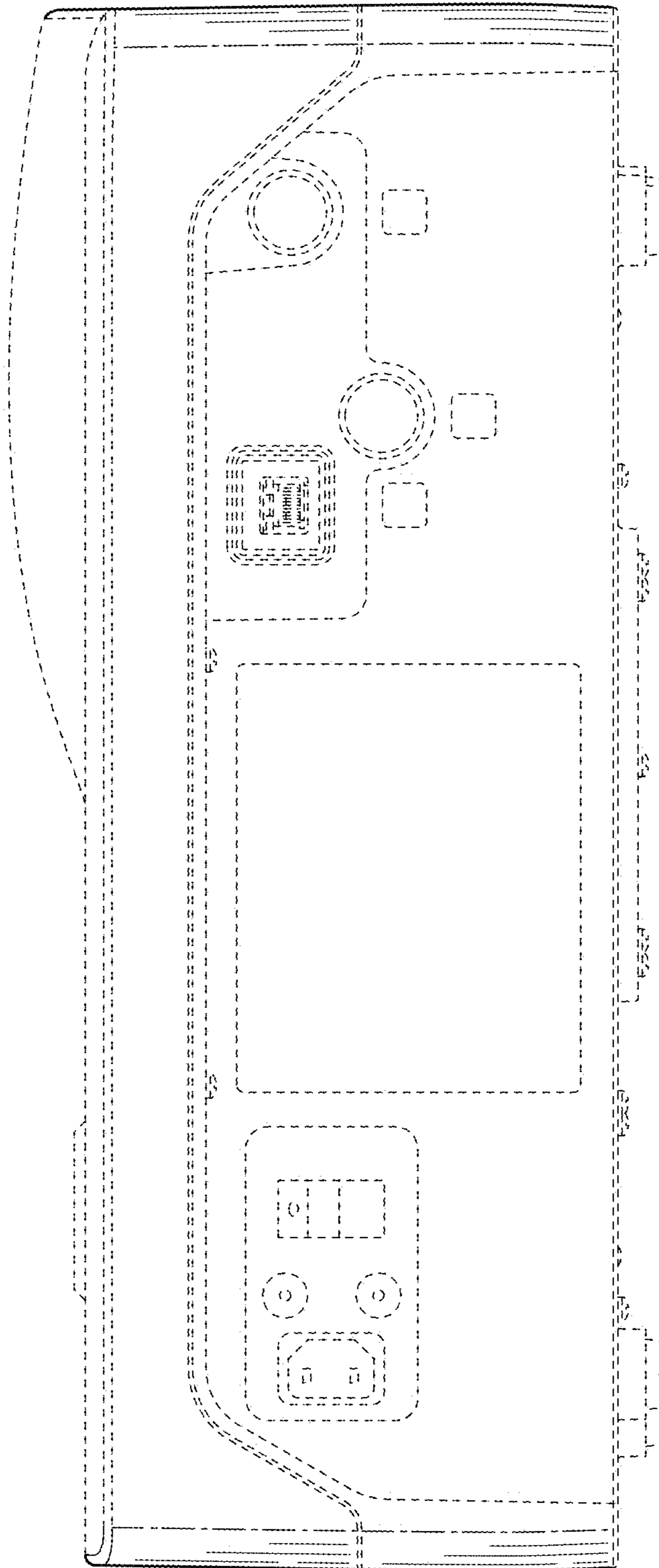


FIG. 3

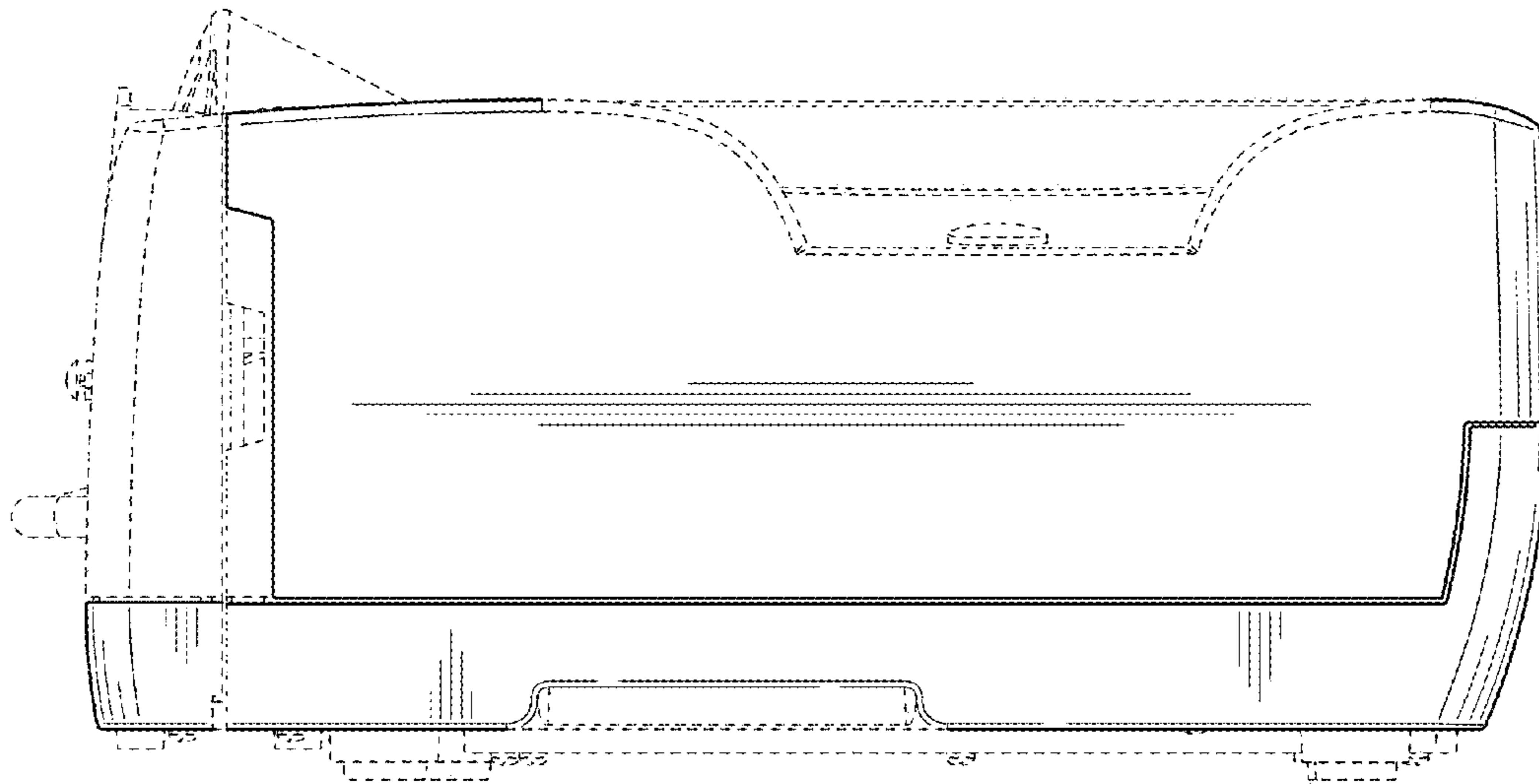


FIG. 4

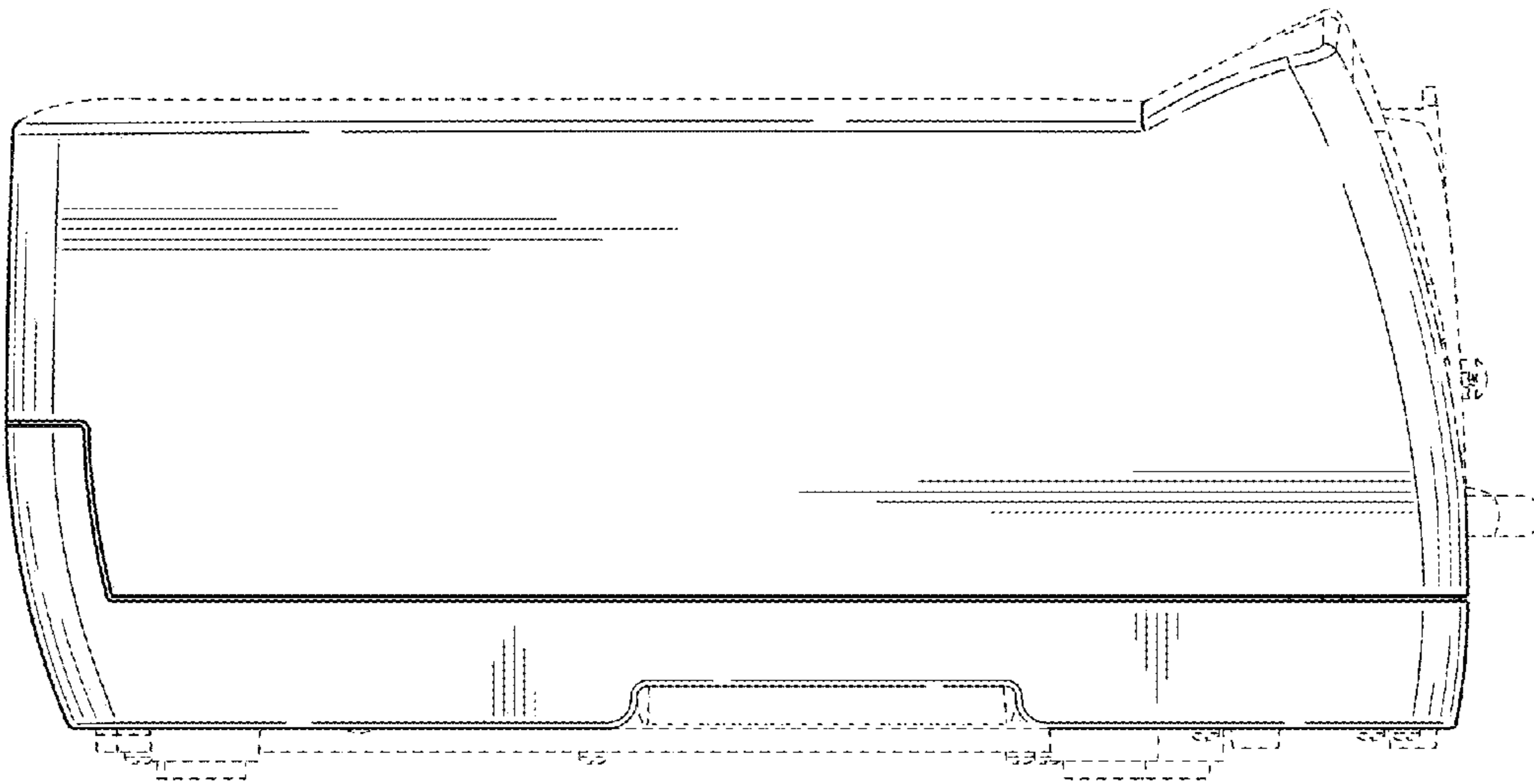


FIG. 5

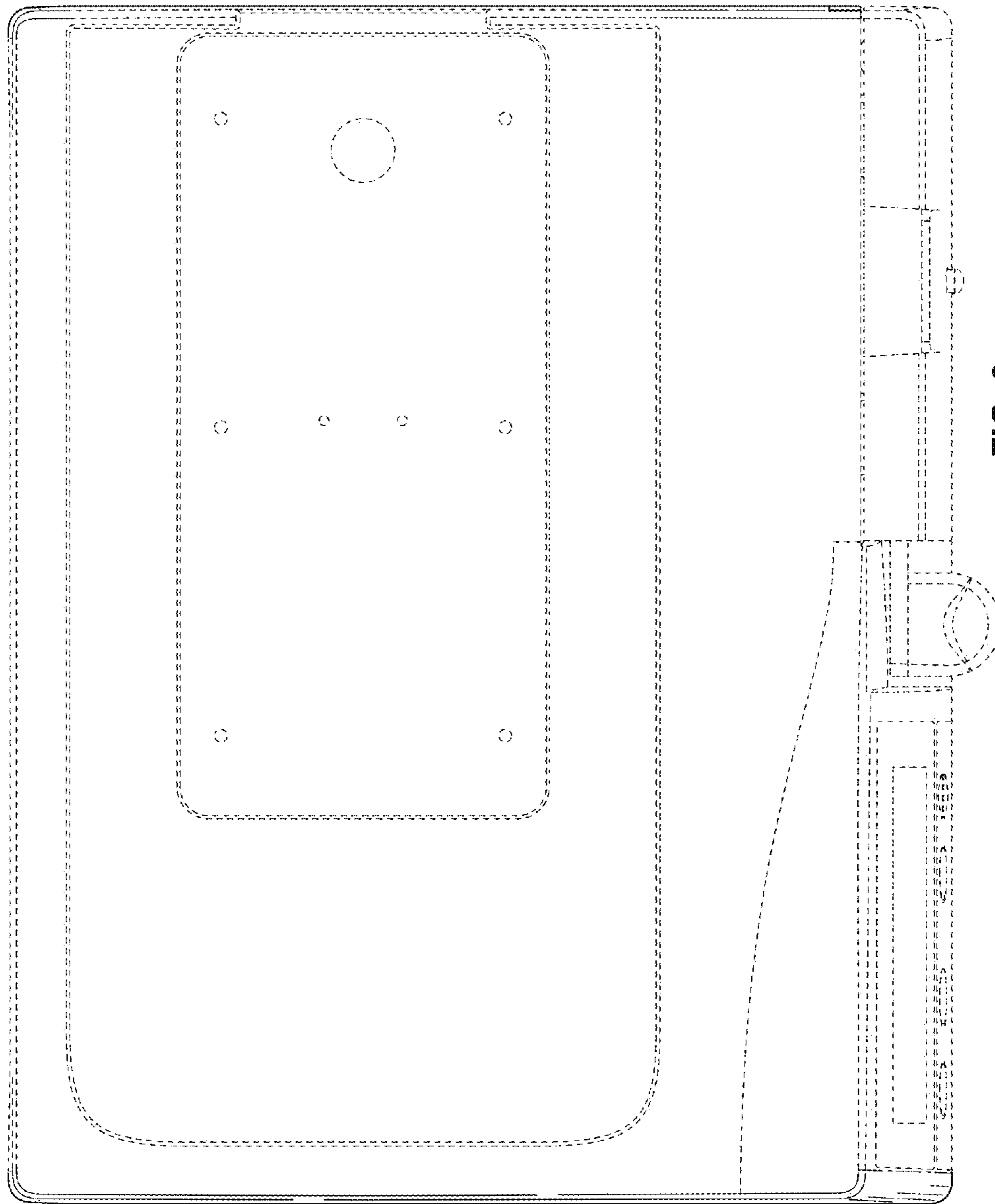


FIG. 6

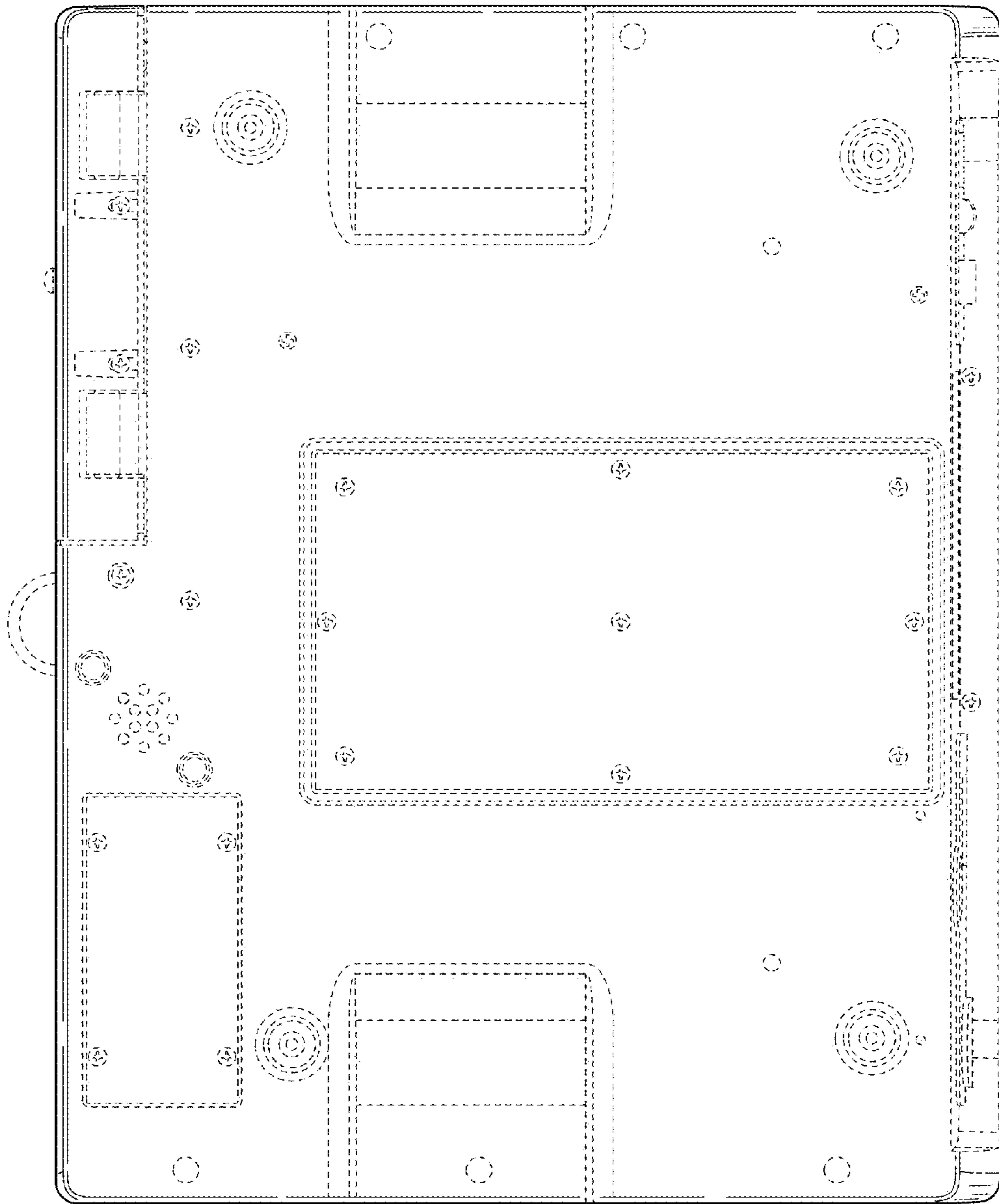


FIG. 7