



US00D724740S

(12) **United States Design Patent**
Collins et al.

(10) **Patent No.:** **US D724,740 S**
(45) **Date of Patent:** **** Mar. 17, 2015**

(54) **ENCLOSURE FOR A PERITONEAL DIALYSIS DEVICE**

(71) Applicant: **DEKA Products Limited Partnership**,
Manchester, NH (US)

(72) Inventors: **David E. Collins**, Groveland, MA (US);
Matthew R. Gill, Cambridge, MA (US);
Matthew J. Johnson, Dunbarton, NH (US)

(73) Assignee: **DEKA Products Limited Partnership**,
Manchester, NH (US)

(**) Term: **14 Years**

(21) Appl. No.: **29/493,099**

(22) Filed: **Jun. 5, 2014**

(51) **LOC (10) Cl.** **24-01**

(52) **U.S. Cl.**
USPC **D24/169**

(58) **Field of Classification Search**
USPC D24/169, 186, 107, 108, 111, 216, 219,
D24/232; 604/27, 29, 131, 132, 140, 141,
604/146

See application file for complete search history.

(56) **References Cited**

U.S. PATENT DOCUMENTS

D308,249	S	*	5/1990	Buckley	D24/169
D351,470	S	*	10/1994	Scherer et al.	D24/169
5,431,626	A	*	7/1995	Bryant et al.	604/65
5,938,634	A	*	8/1999	Packard	604/29
D556,910	S	*	12/2007	Reihanifam et al.	D24/169
D637,293	S	*	5/2011	Hickey et al.	D24/169
D645,157	S	*	9/2011	Fallon et al.	D24/227
2009/0222119	A1	*	9/2009	Plahey et al.	604/29
2013/0037142	A1	*	2/2013	Farrell	137/565.01
2014/0018728	A1	*	1/2014	Plahey et al.	604/29

* cited by examiner

Primary Examiner — Anhdao Doan

(74) *Attorney, Agent, or Firm* — Marc J. Gorayeb

(57) **CLAIM**

The ornamental design for a enclosure for a peritoneal dialysis device, as shown and described.

DESCRIPTION

FIG. 1 is a front, top, and right side perspective view of the enclosure for a peritoneal dialysis device, showing the new design;

FIG. 2 is a front side elevational view thereof;

FIG. 3 is a rear side elevational view thereof;

FIG. 4 is a right side elevational view thereof.

FIG. 5 is a left side elevational view thereof;

FIG. 6 is a top plan view thereof;

FIG. 7 is a bottom plan view thereof;

FIG. 8 is a front, top, left side perspective view thereof;

FIG. 9 is a back, bottom, and right side perspective view thereof;

FIG. 10 is a front, bottom, and slight left side perspective view thereof;

FIG. 11 is a back, bottom, and left side perspective view thereof;

FIG. 12 is another front, top, and right side perspective view thereof, showing an open door thereof;

FIG. 13 is another front side elevational view thereof, showing an open door thereof;

FIG. 14 is another rear side elevational view thereof, showing an open door thereof;

FIG. 15 is another right side elevational view thereof, showing an open door thereof.

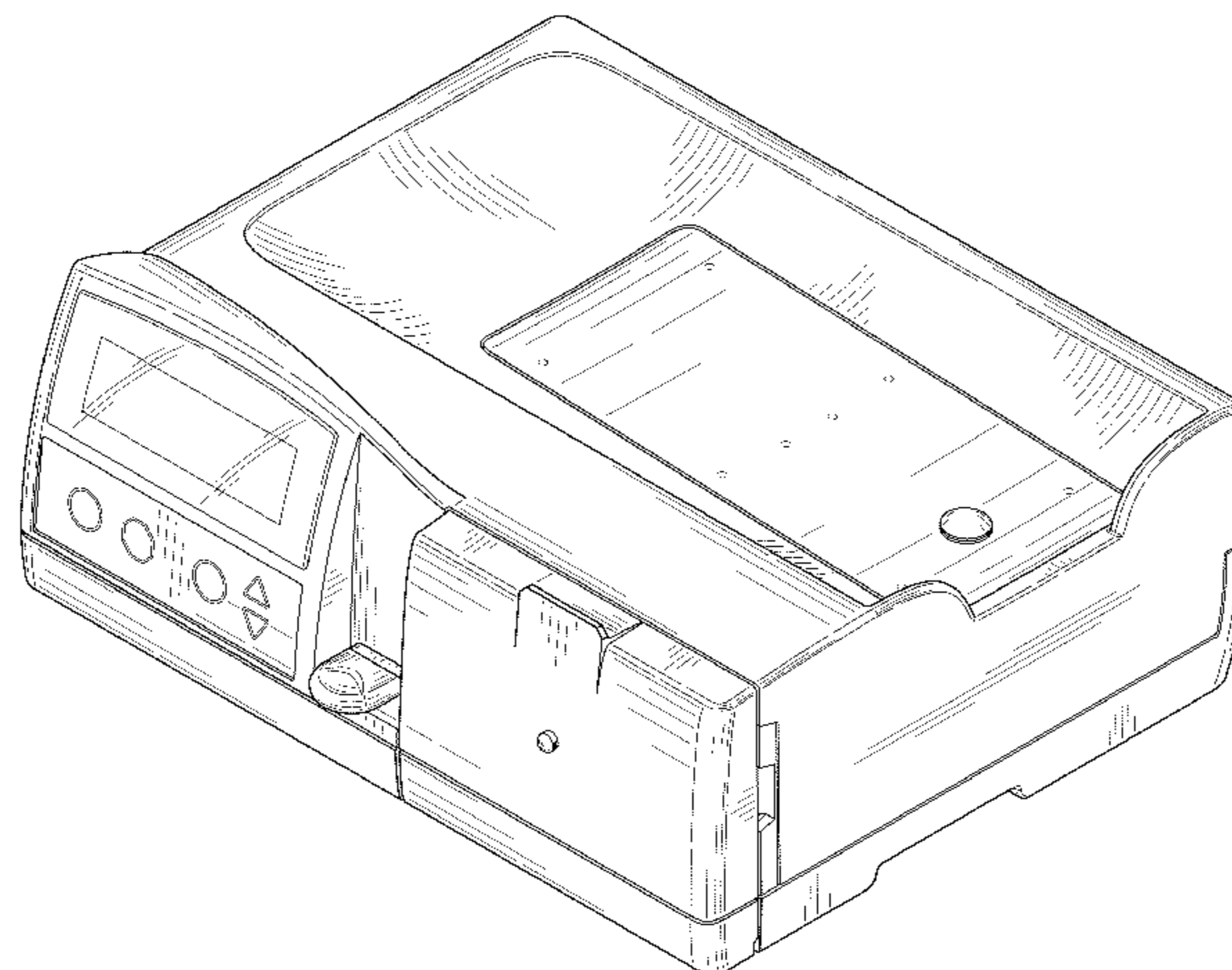
FIG. 16 is another left side elevational view thereof, showing an open door thereof;

FIG. 17 is another top plan view thereof, showing an open door thereof; and,

FIG. 18 is another bottom plan view thereof, showing an open door thereof.

The broken lines represent unclaimed portions of the enclosure for a peritoneal dialysis device and form no part of the claimed design.

1 Claim, 15 Drawing Sheets



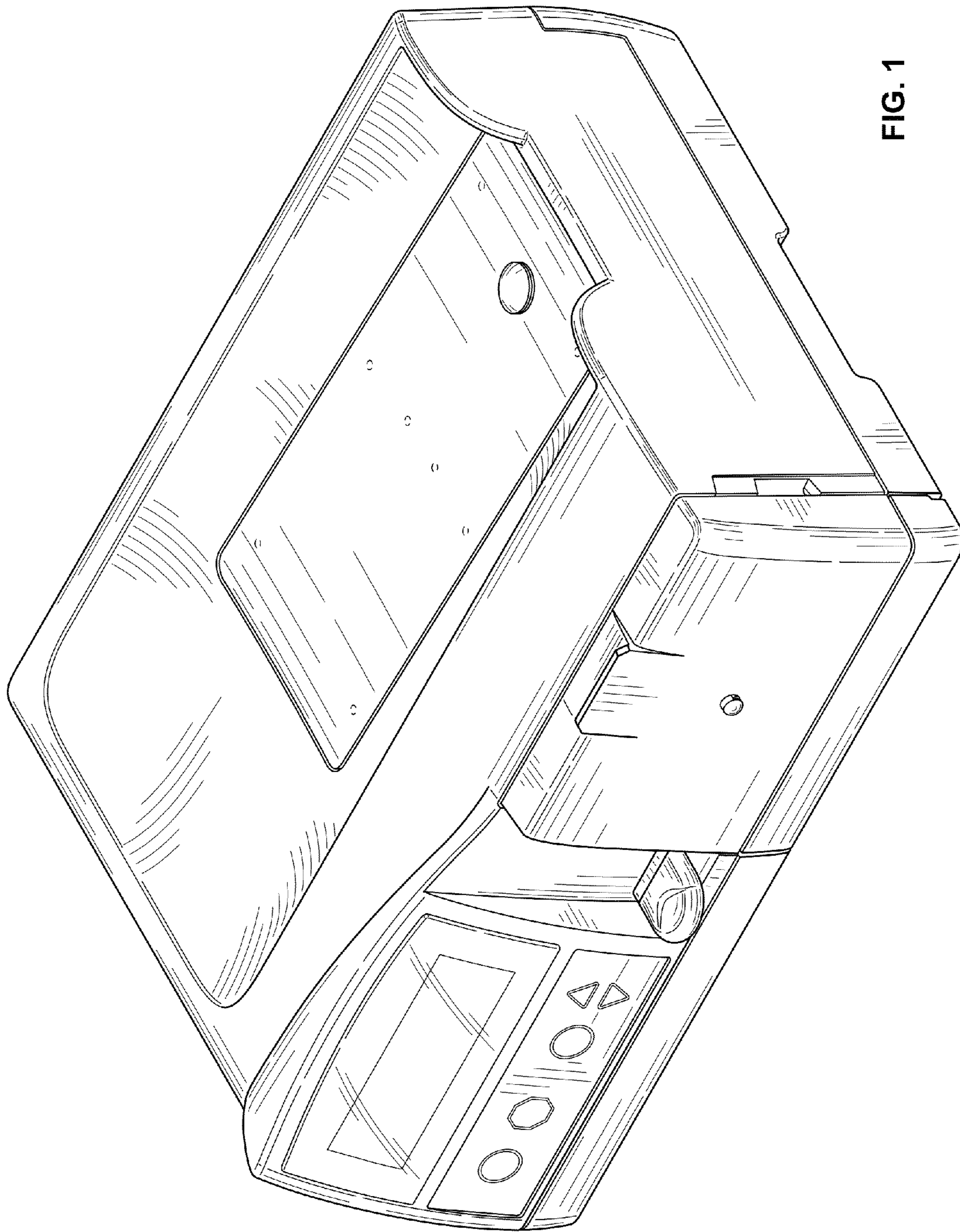


FIG. 1

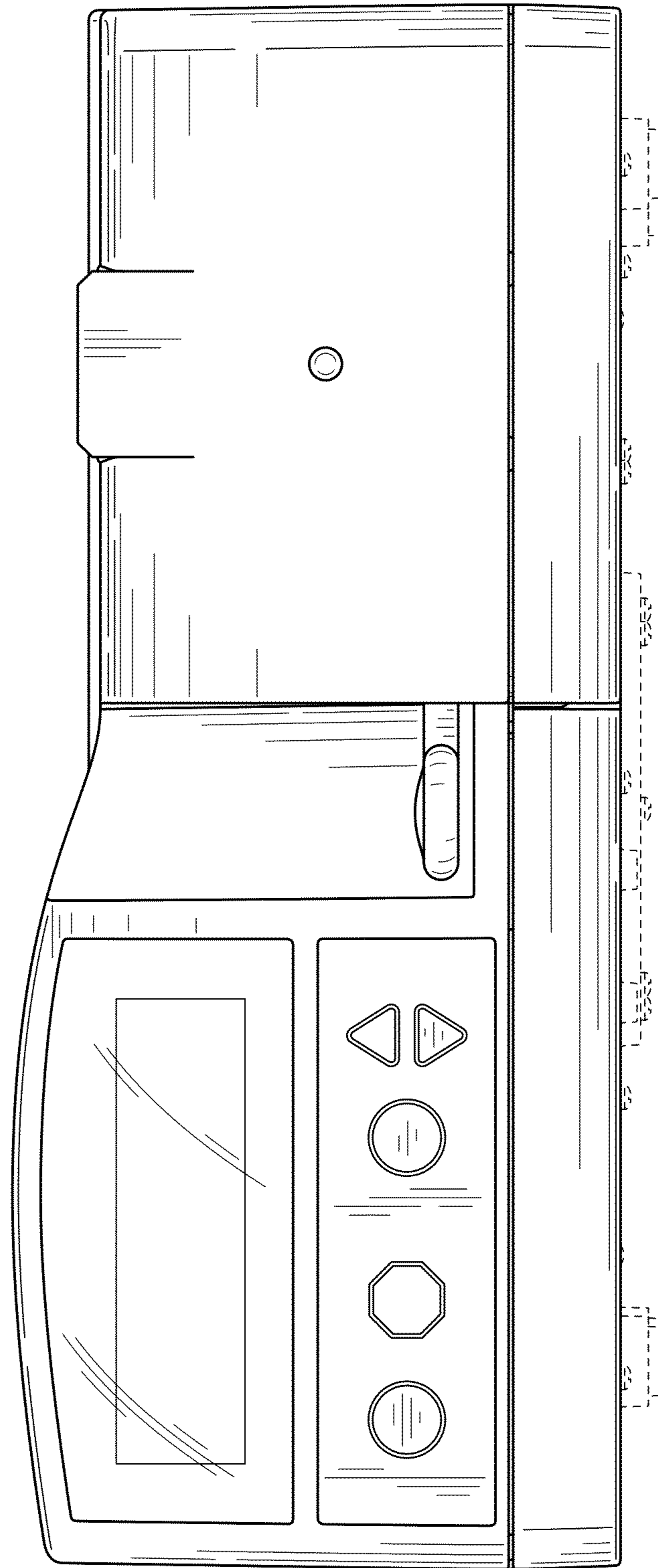


FIG. 2

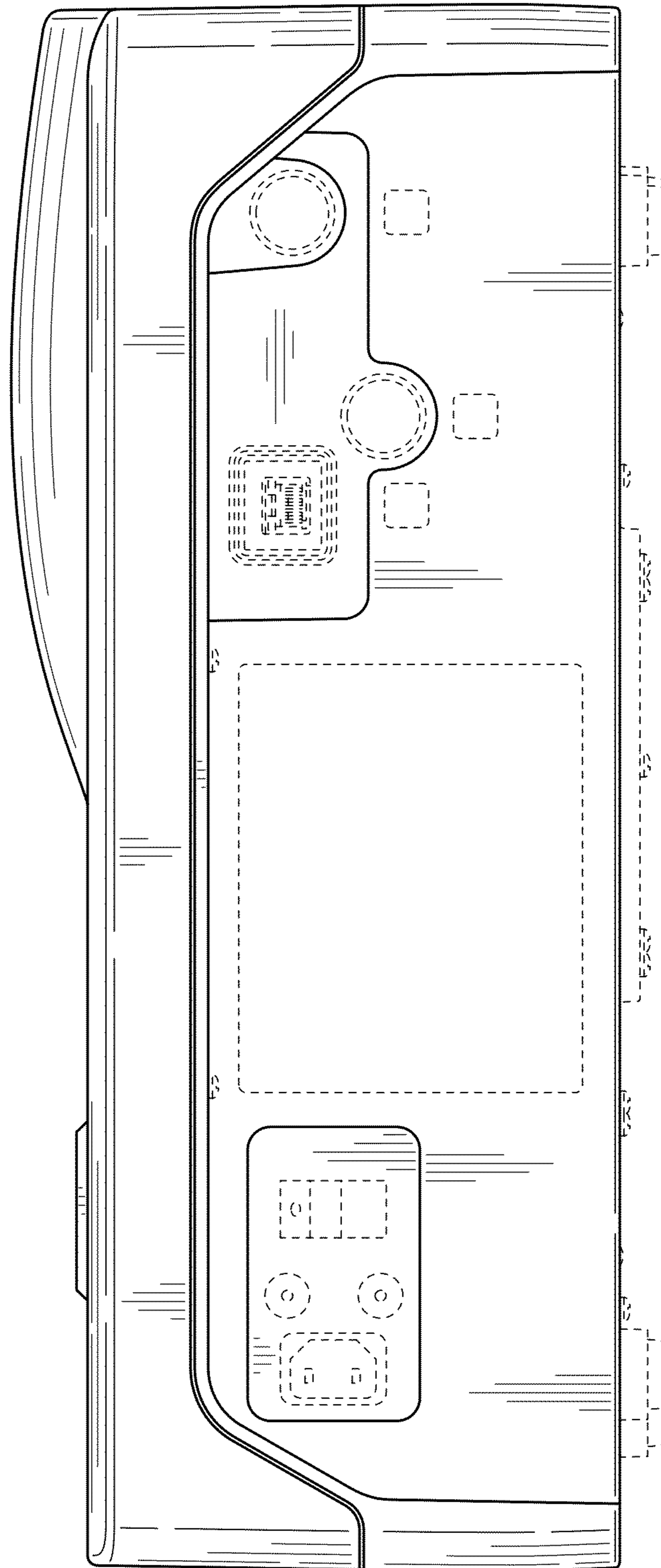


FIG. 3

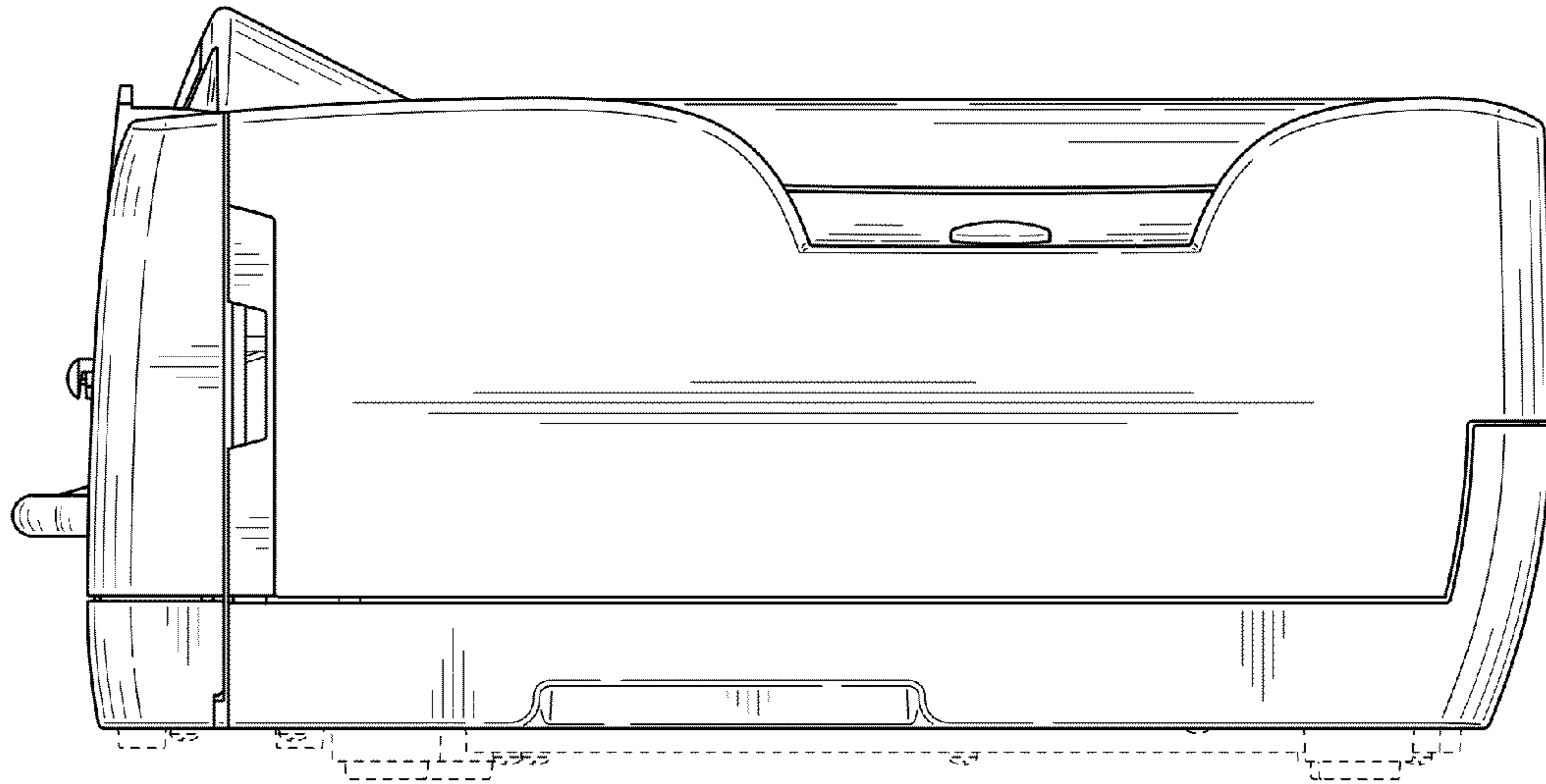


FIG. 4

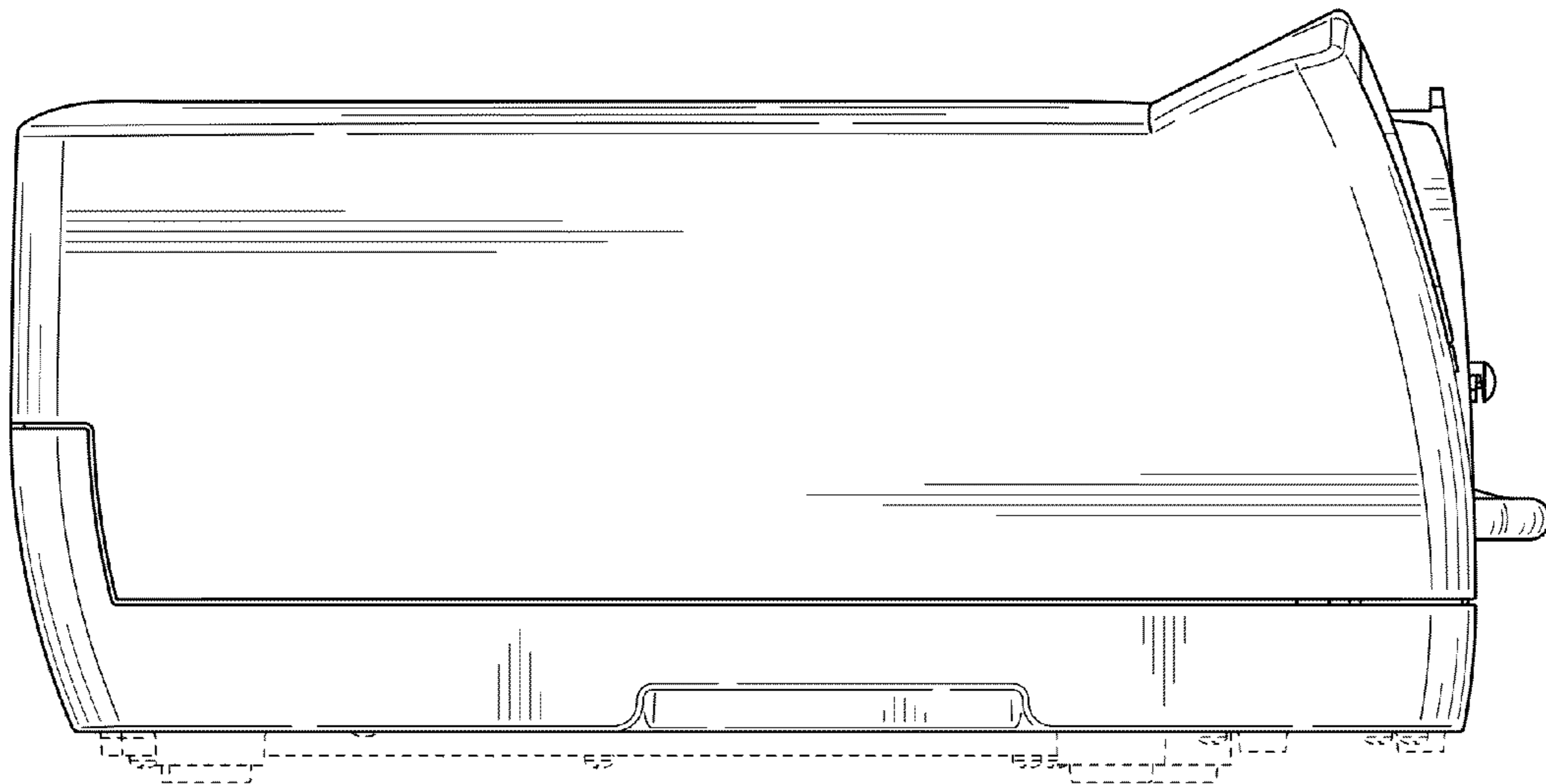


FIG. 5

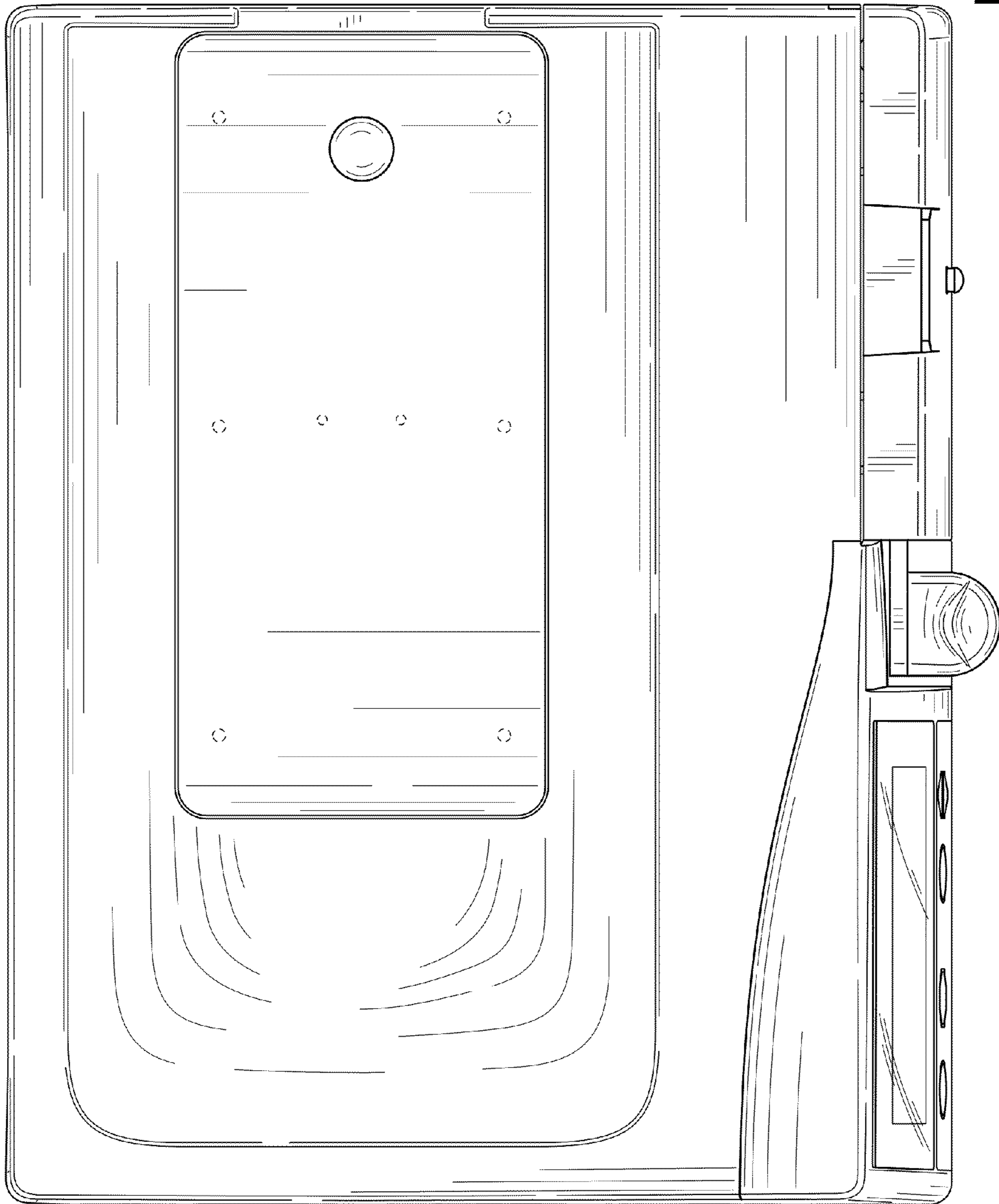


FIG. 6

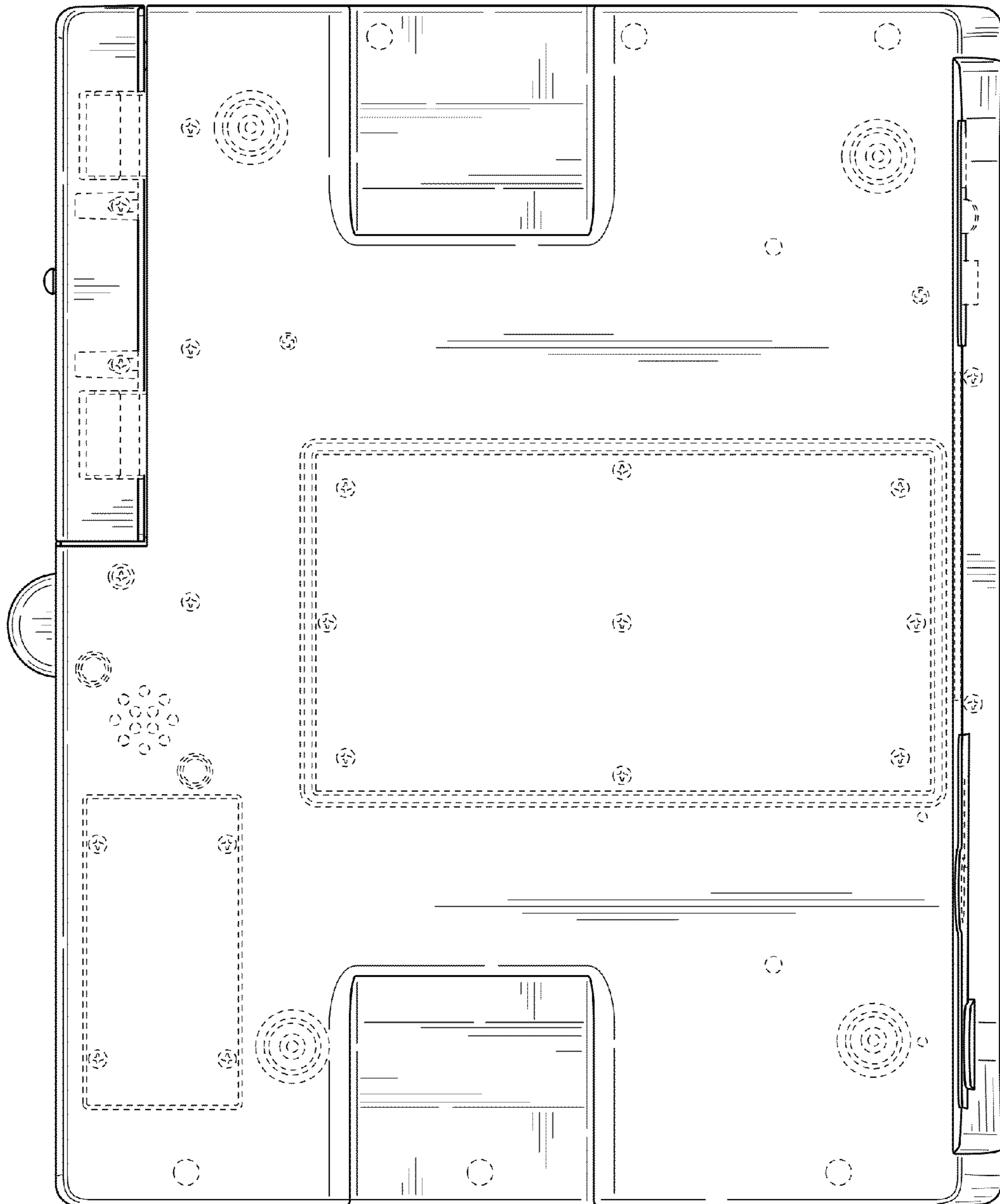


FIG. 7

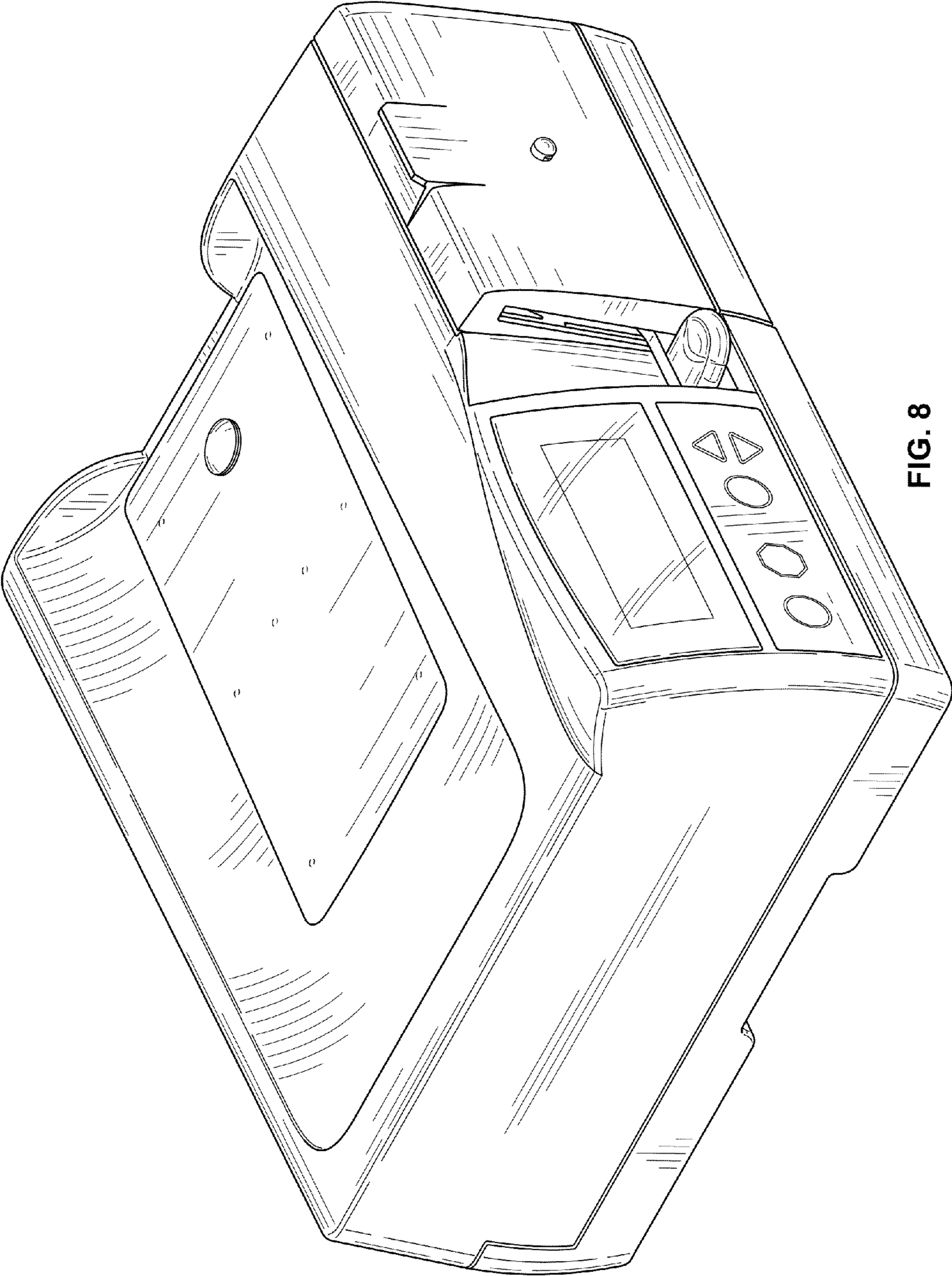


FIG. 8

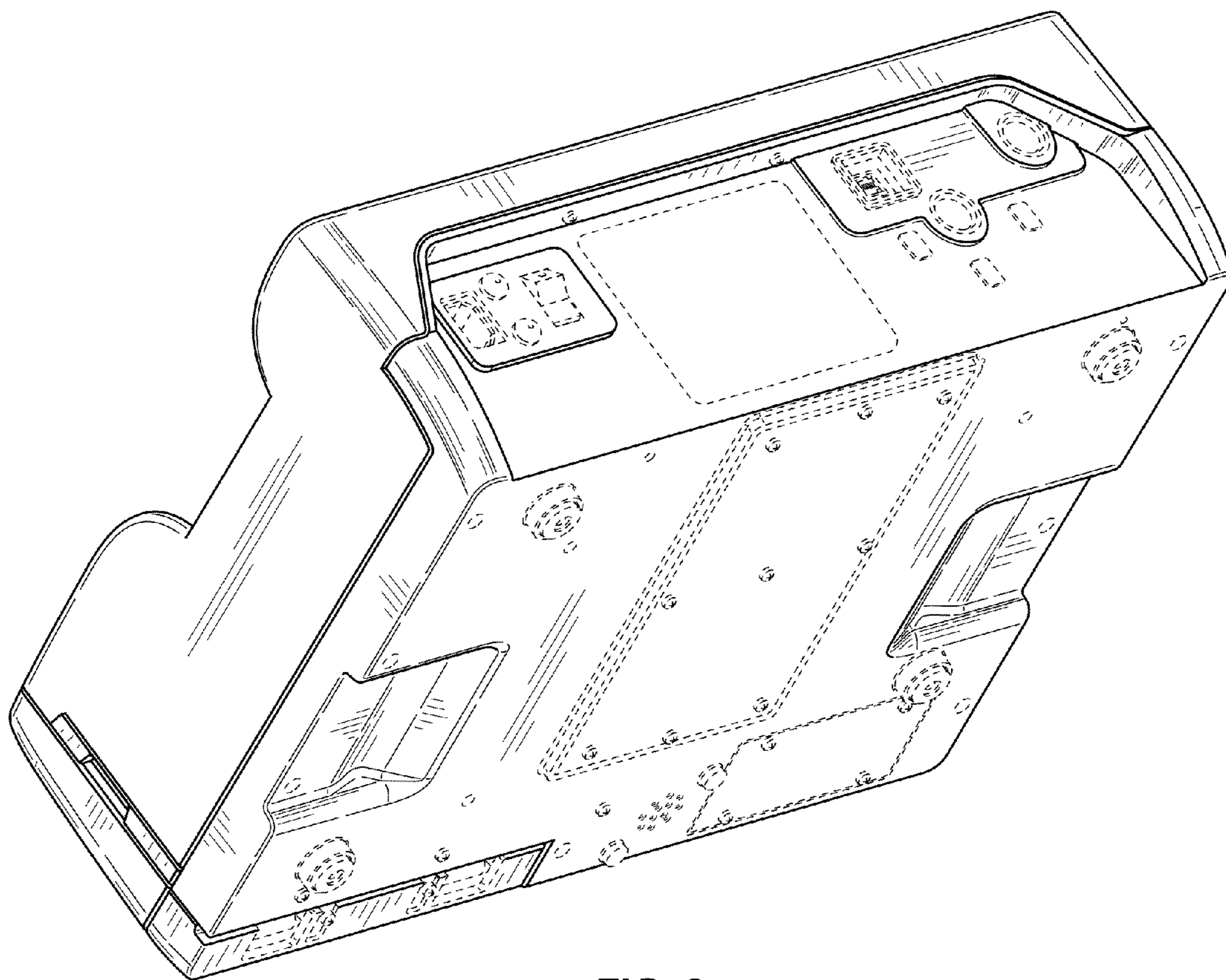


FIG. 9

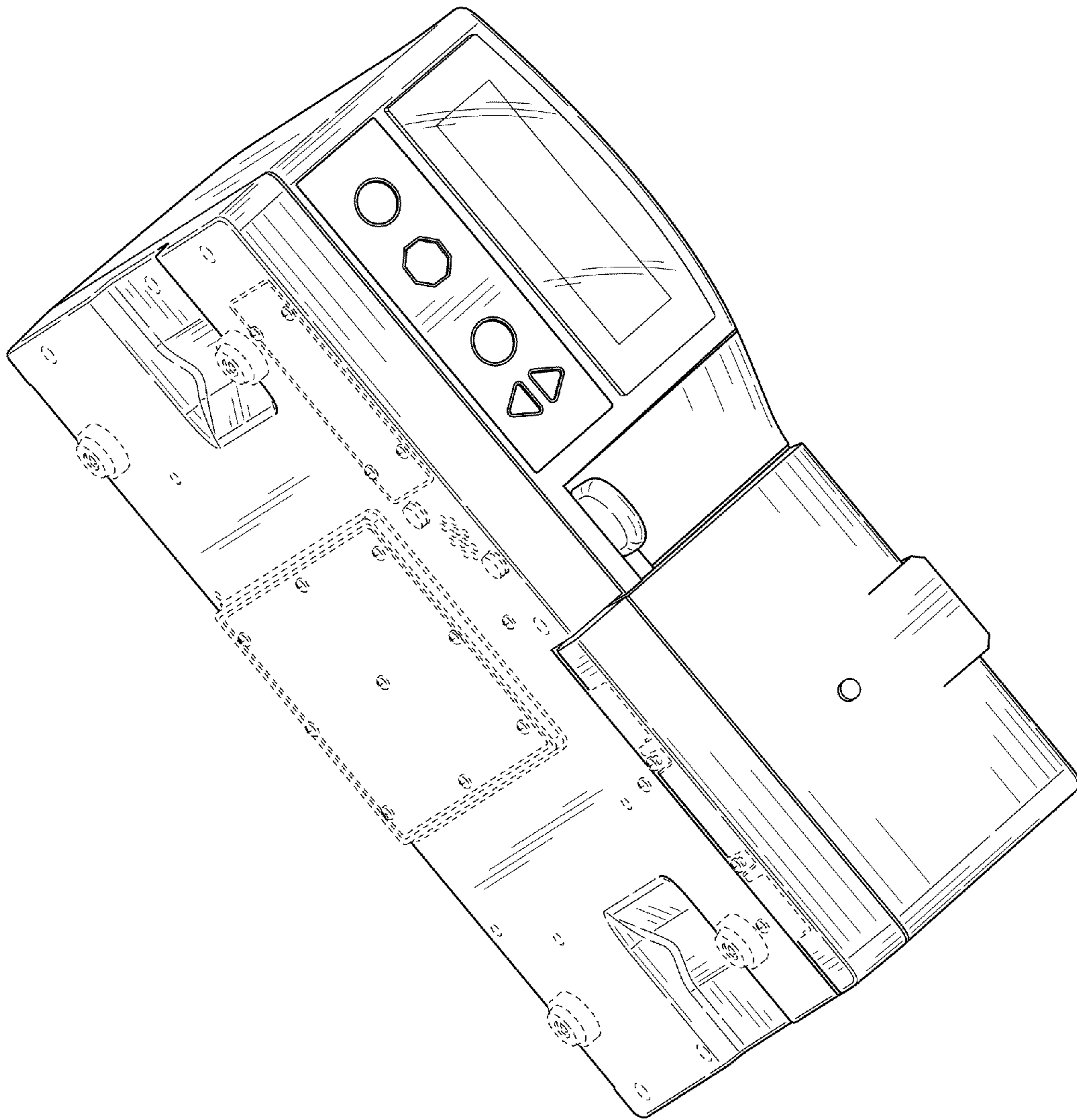


FIG. 10

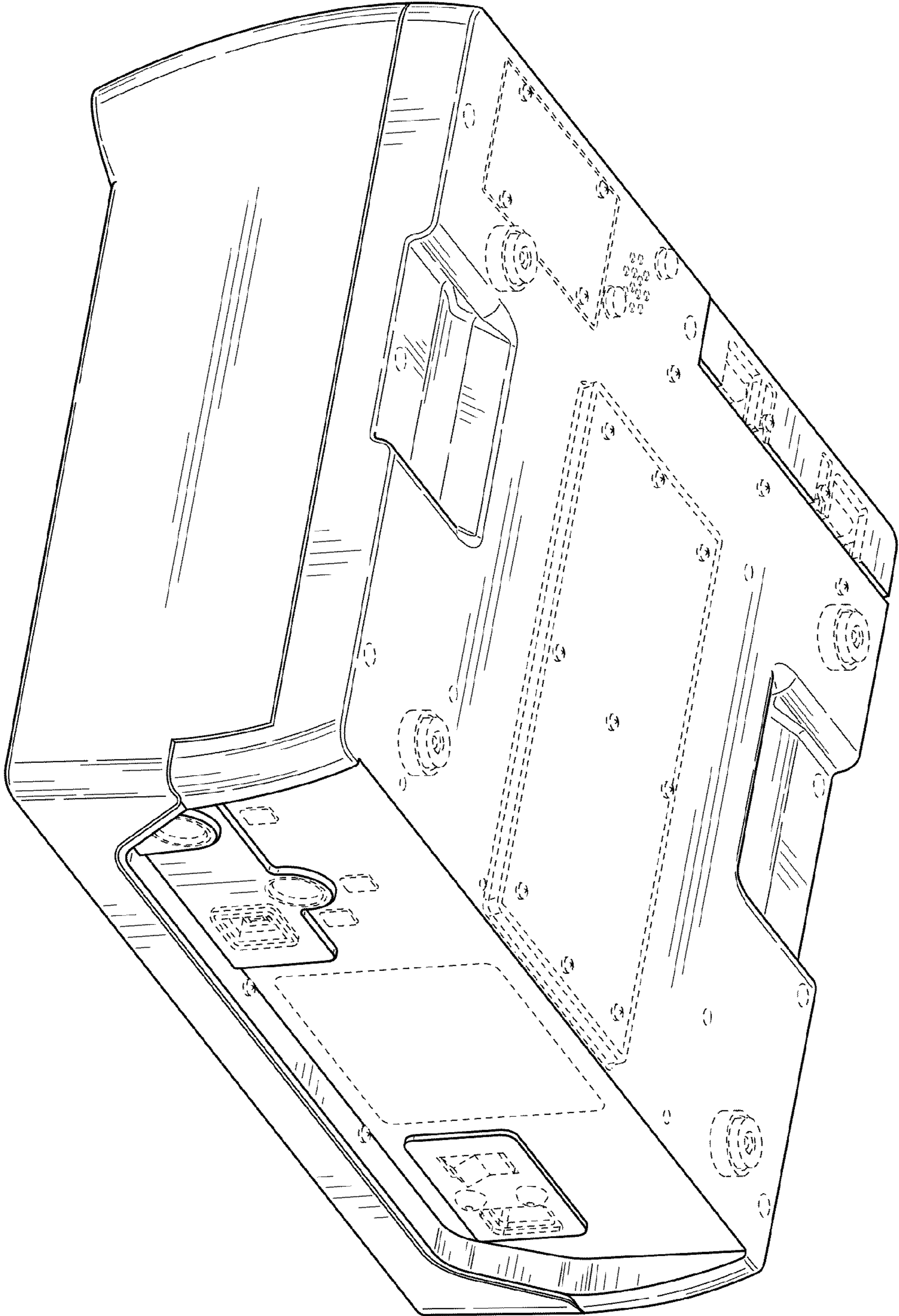


FIG. 11

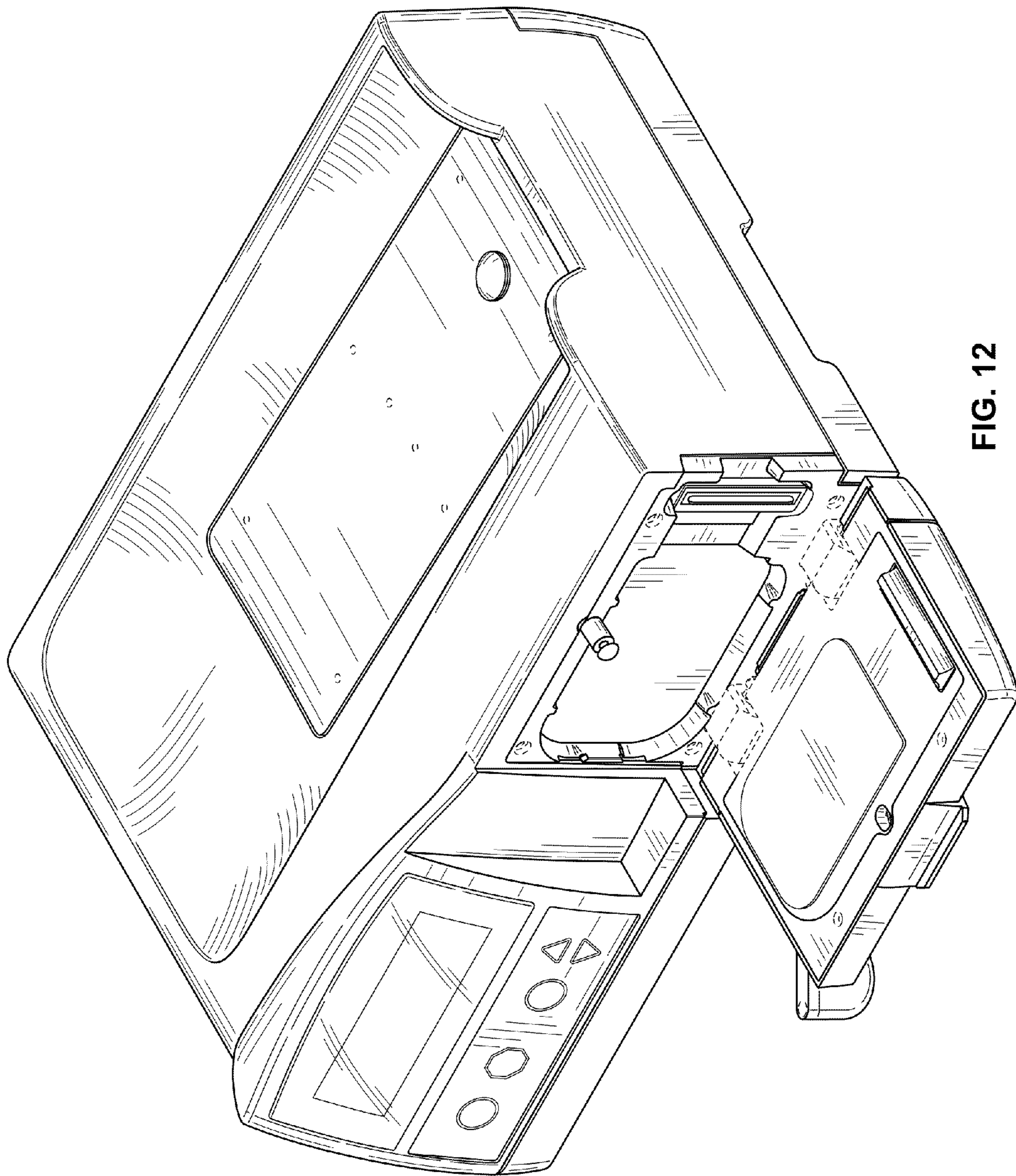


FIG. 12

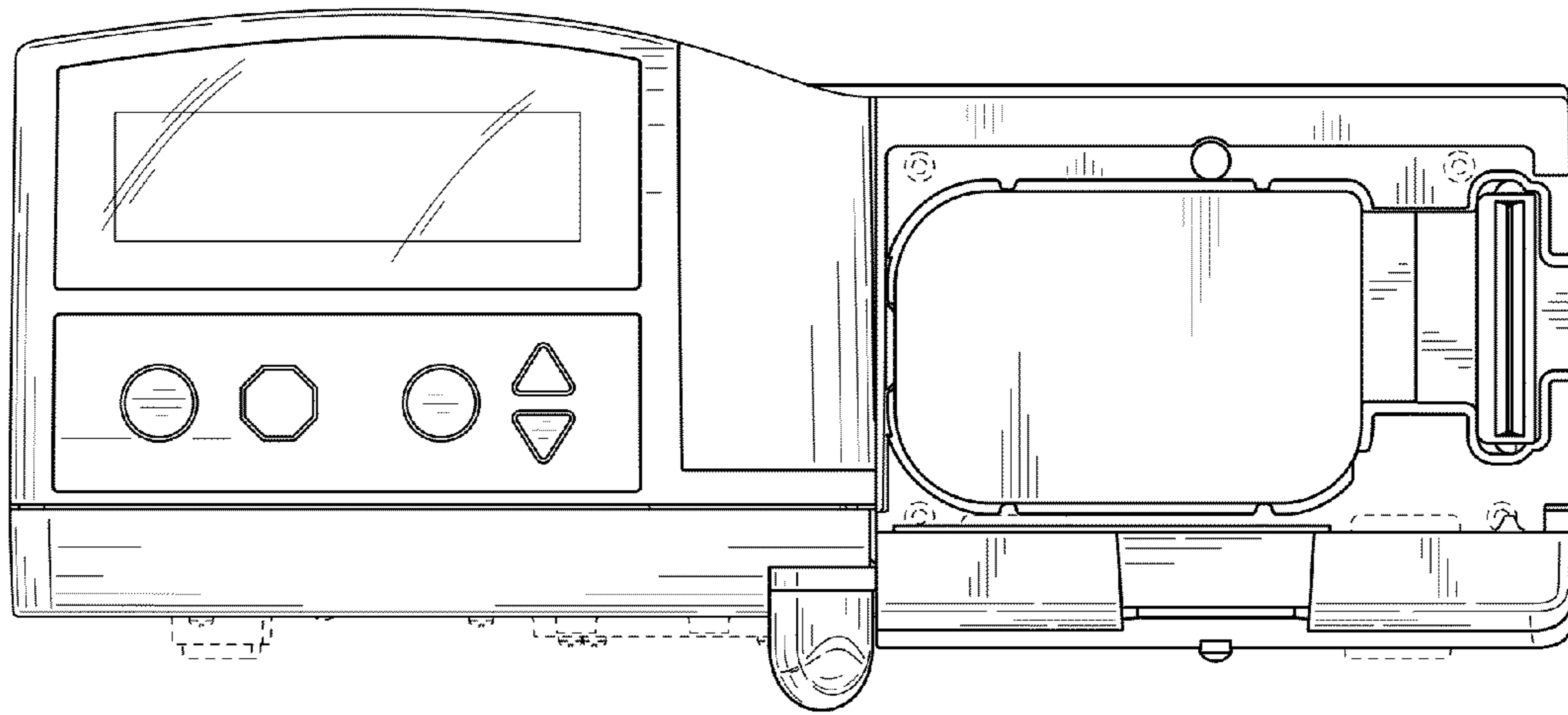


FIG. 13

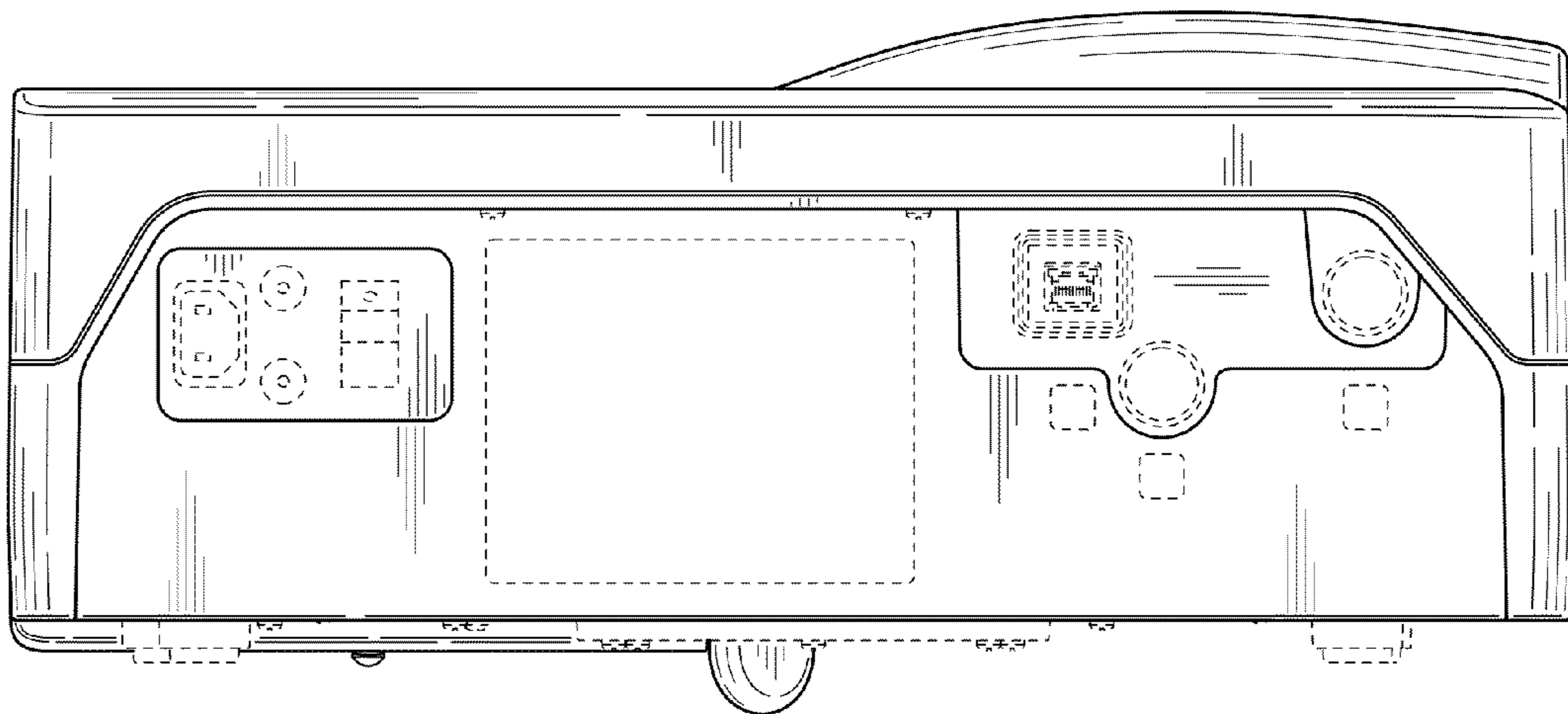


FIG. 14

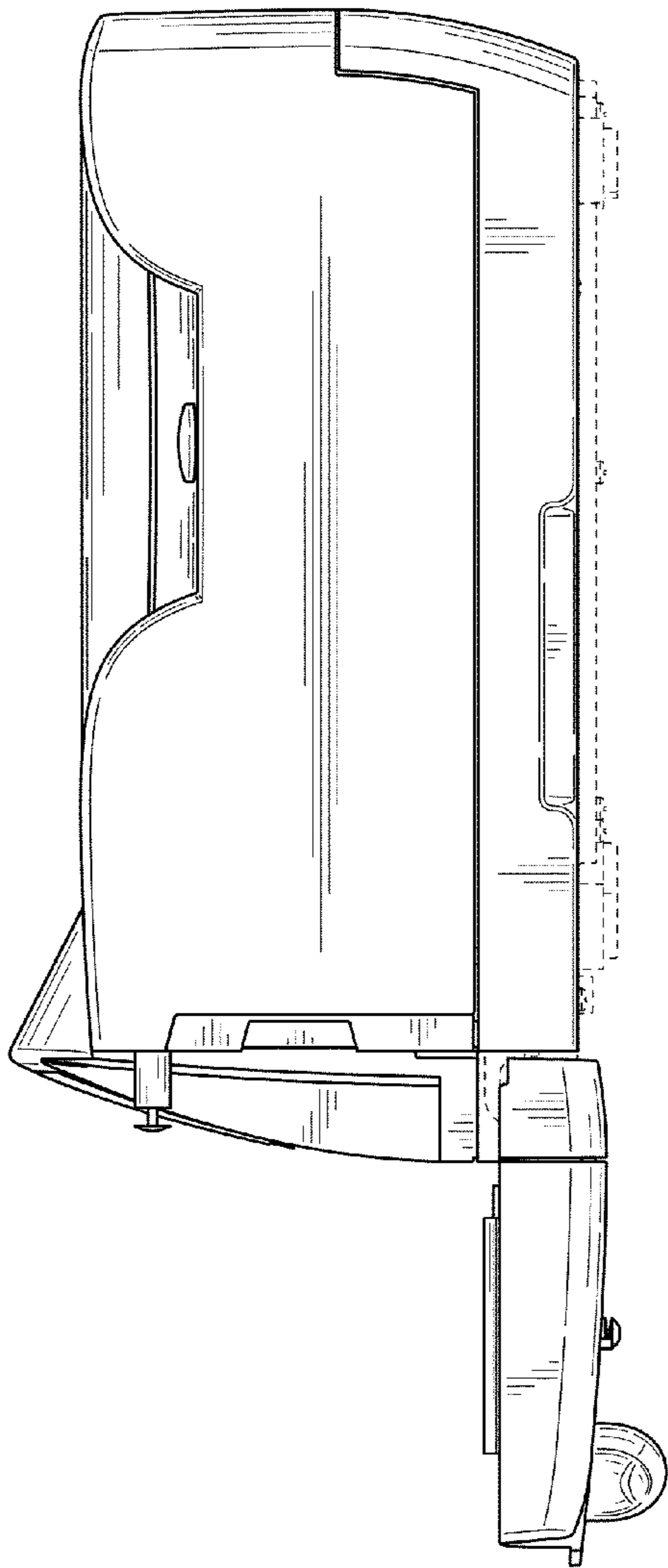


FIG. 15

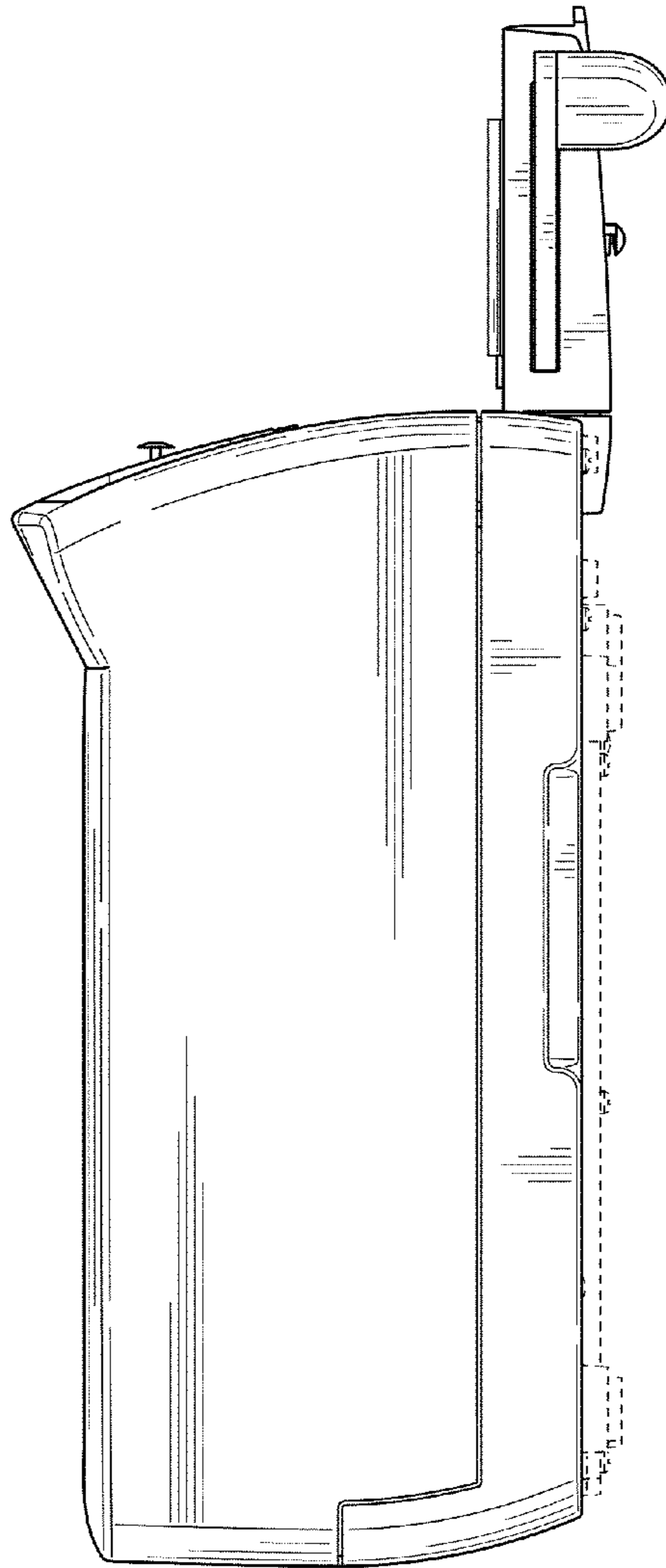


FIG. 16

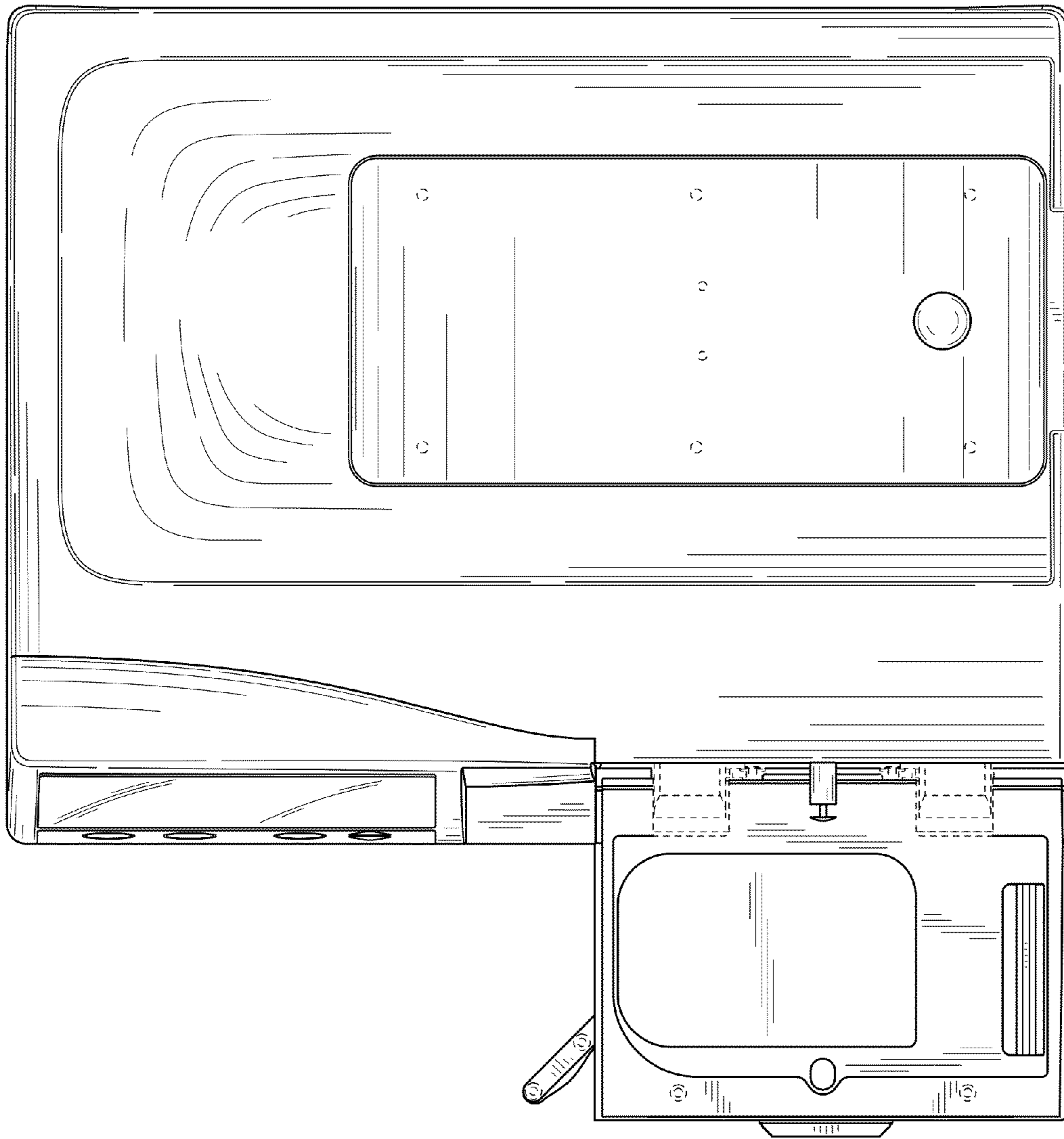


FIG. 17

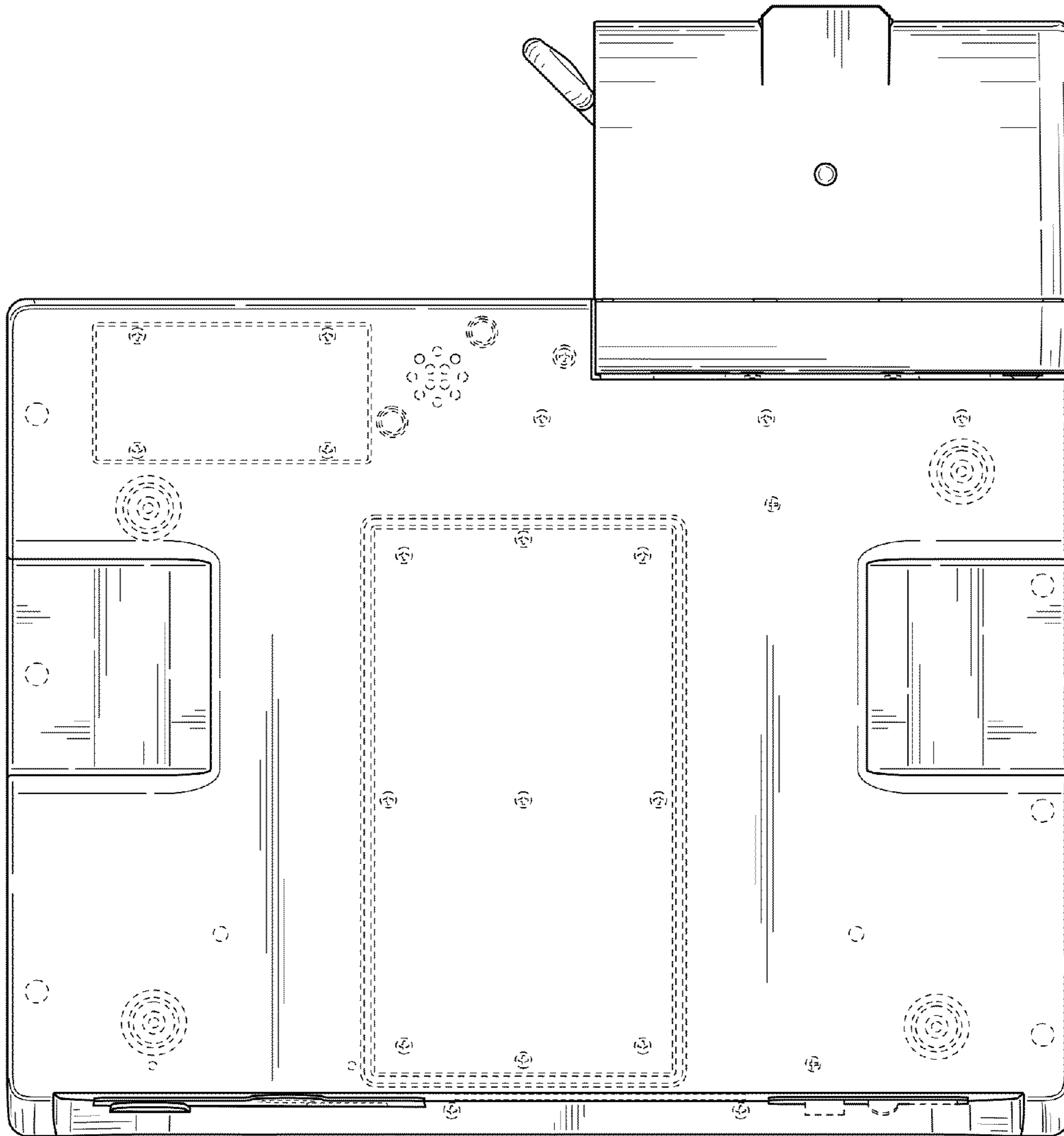


FIG. 18