



US00D724738S

(12) **United States Design Patent**  
**Dorris et al.**

(10) **Patent No.:** **US D724,738 S**  
(45) **Date of Patent:** **\*\* Mar. 17, 2015**

(54) **DUAL MONITOR PORTABLE X-RAY SYSTEM**

(56) **References Cited**

U.S. PATENT DOCUMENTS

(71) Applicants: **Margaret O'Mahoney Dorris**, Augusta, GA (US); **William J. Bentley**, Augusta, GA (US); **David M. Birmingham**, Augusta, GA (US); **Ingo Fernandez**, Augusta, GA (US)

D617,906	S	*	6/2010	Nakahara et al.	.....	D24/158
D657,875	S	*	4/2012	Yanase et al.	.....	D24/158
8,419,276	B2	*	4/2013	Oda et al.	.....	378/198
D690,012	S	*	9/2013	Yanase et al.	.....	D24/158
2009/0202038	A1	*	8/2009	Wu et al.	.....	378/198
2013/0136240	A1	*	5/2013	Causape Rodriguez et al.	.....	378/198

\* cited by examiner

*Primary Examiner* — Anhdao Doan

(72) Inventors: **Margaret O'Mahoney Dorris**, Augusta, GA (US); **William J. Bentley**, Augusta, GA (US); **David M. Birmingham**, Augusta, GA (US); **Ingo Fernandez**, Augusta, GA (US)

(57) **CLAIM**

The ornamental design for a dual monitor portable x-ray system, as shown and described.

**DESCRIPTION**

(\*\*) Term: **14 Years**

FIG. 1 is a perspective front view of a dual monitor portable x-ray system;  
FIG. 2 is a front elevation view of the dual monitor portable x-ray system;  
FIG. 3 is a rear elevation view of the dual monitor portable x-ray system;  
FIG. 4 is a left side elevation view of the dual monitor portable x-ray system;  
FIG. 5 is a right side elevation view of the dual monitor portable x-ray system;  
FIG. 6 is a top plan view of the dual monitor portable x-ray system; and,  
FIG. 7 is a bottom plan view of the dual monitor portable x-ray system.

(21) Appl. No.: **29/489,247**

(22) Filed: **Apr. 29, 2014**

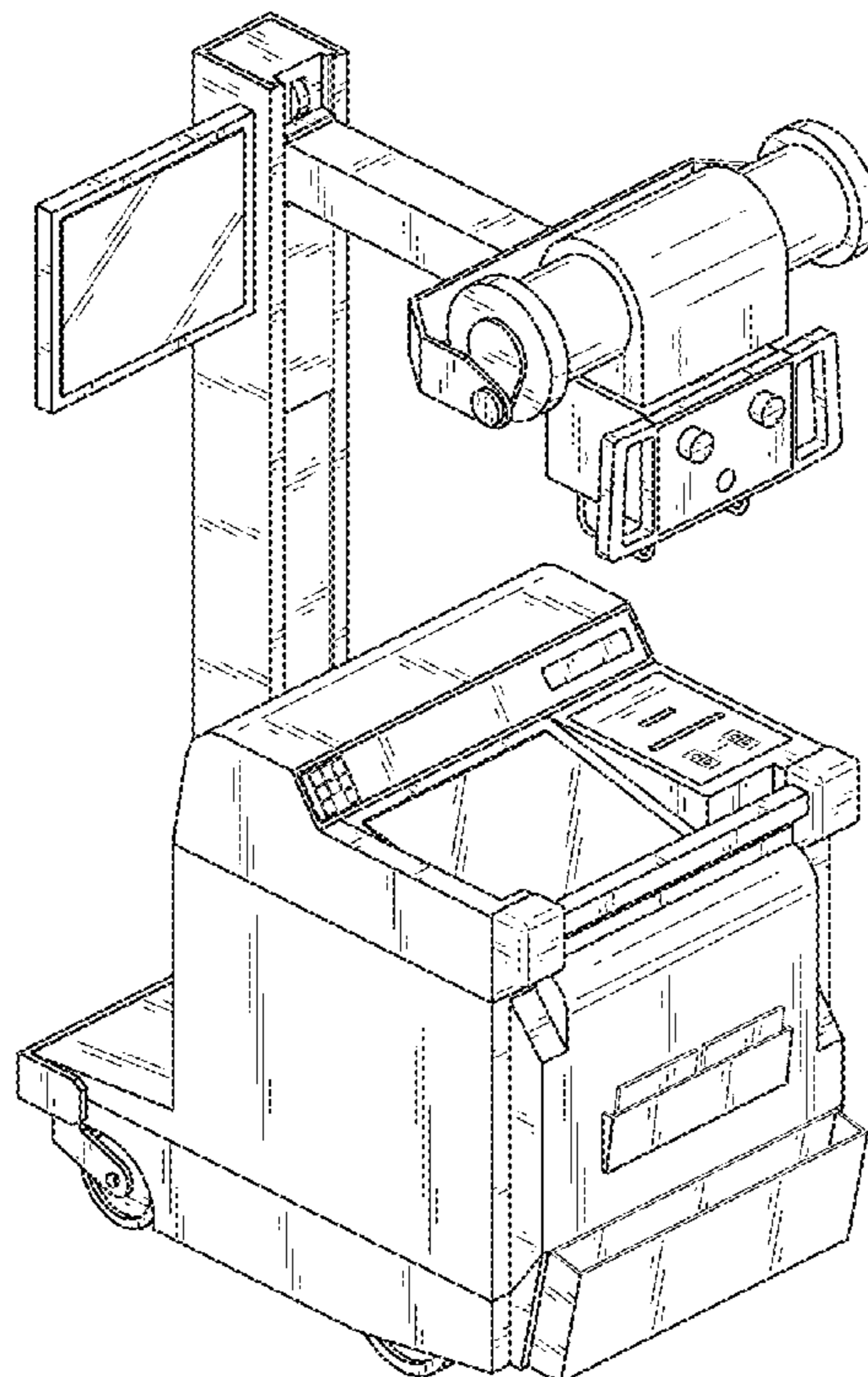
(51) **LOC (10) Cl.** ..... **24-01**

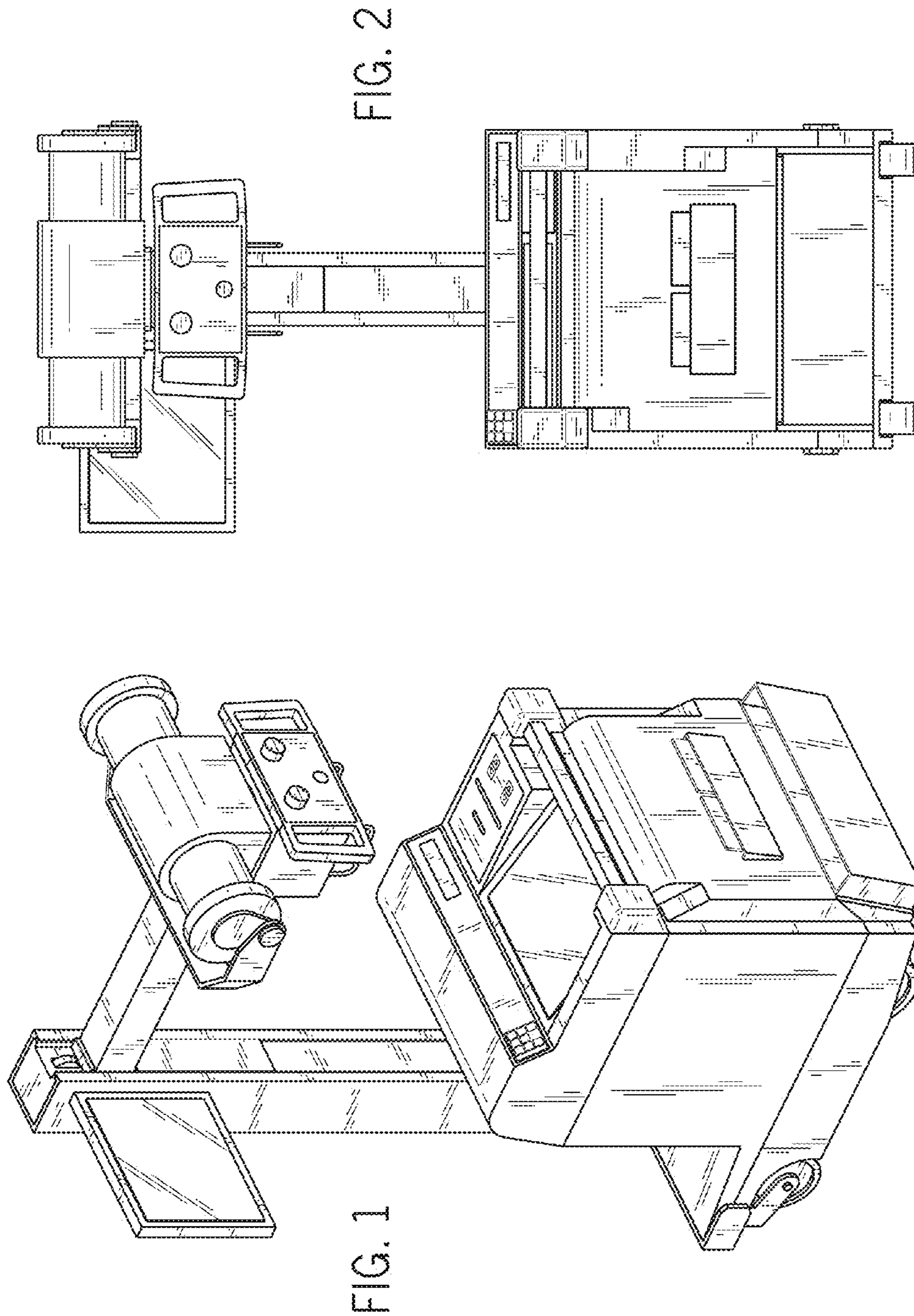
(52) **U.S. Cl.**  
USPC ..... **D24/158**

(58) **Field of Classification Search**  
USPC ..... D24/158-161, 185, 186; 378/4, 15, 17, 378/21, 23-27, 62, 68, 196-198; 600/407, 600/409, 410, 415, 421, 422, 425

See application file for complete search history.

**1 Claim, 4 Drawing Sheets**





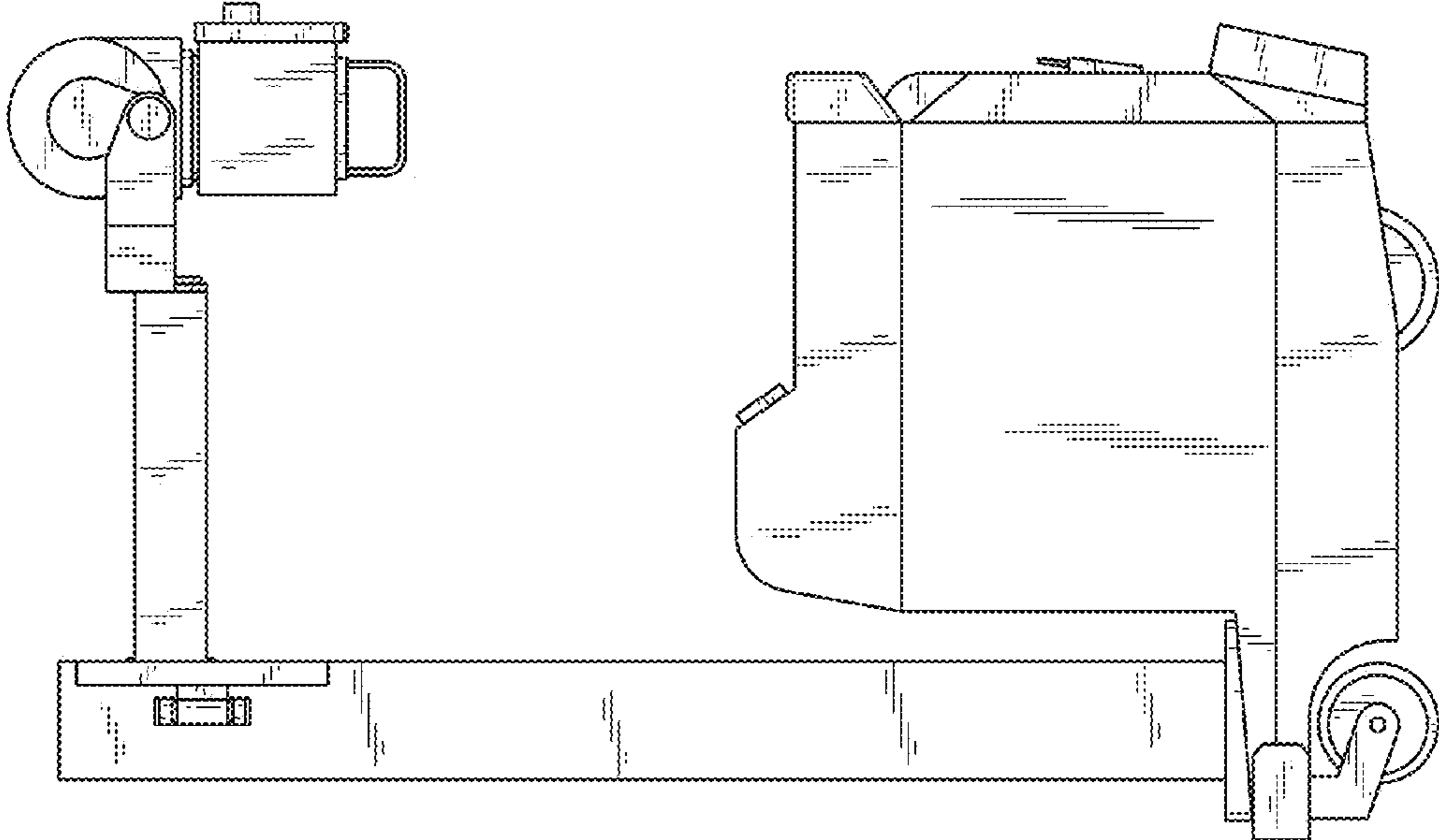


FIG. 4

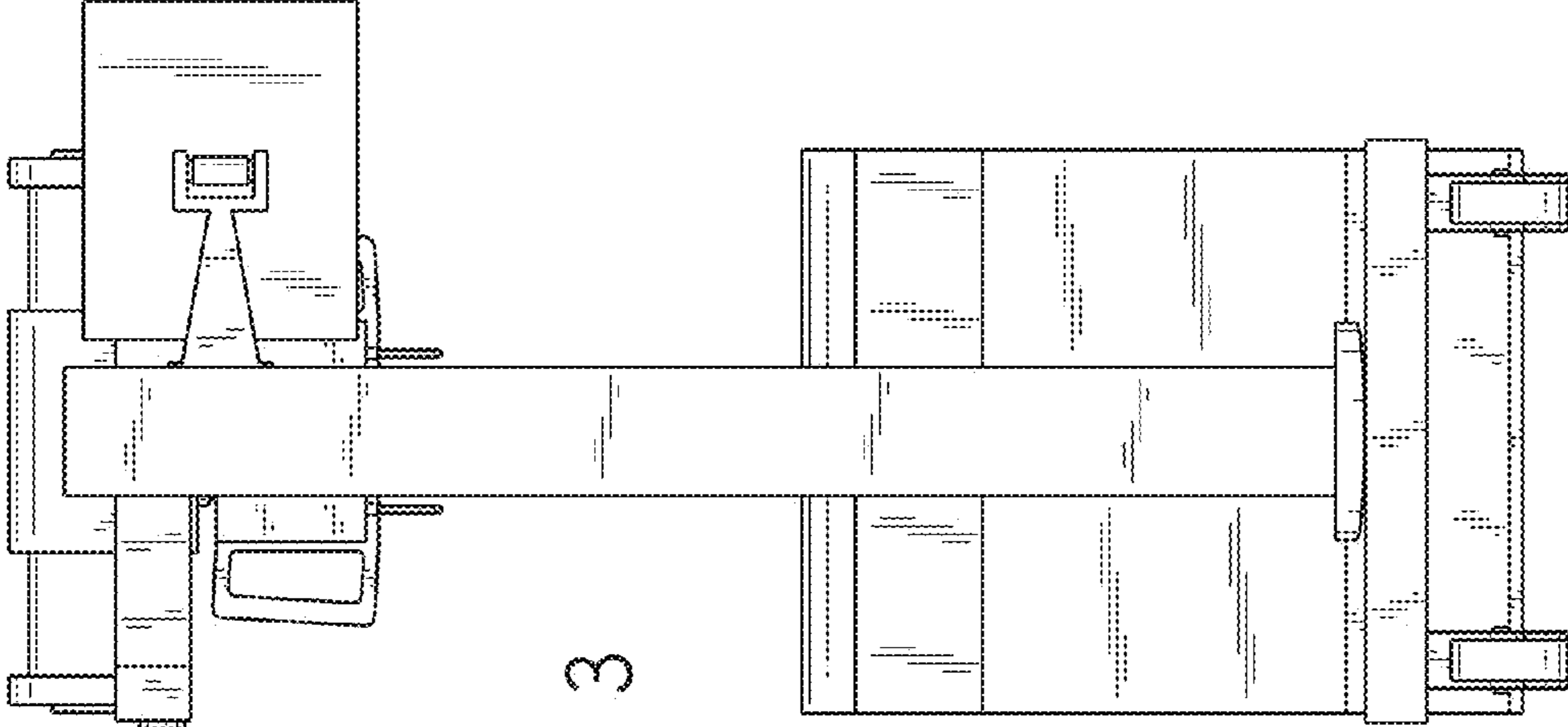


FIG. 3

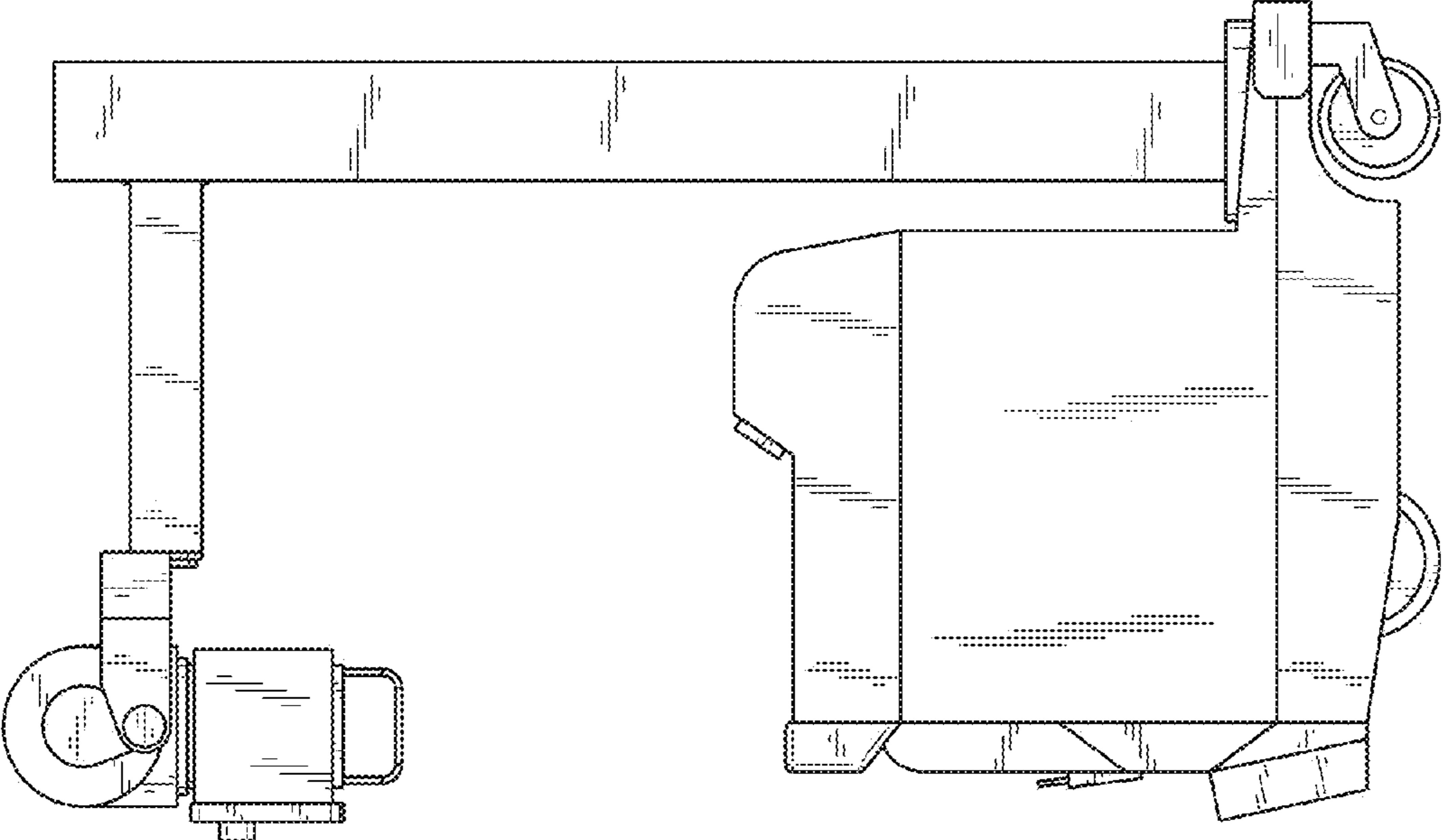


FIG. 5

FIG. 6

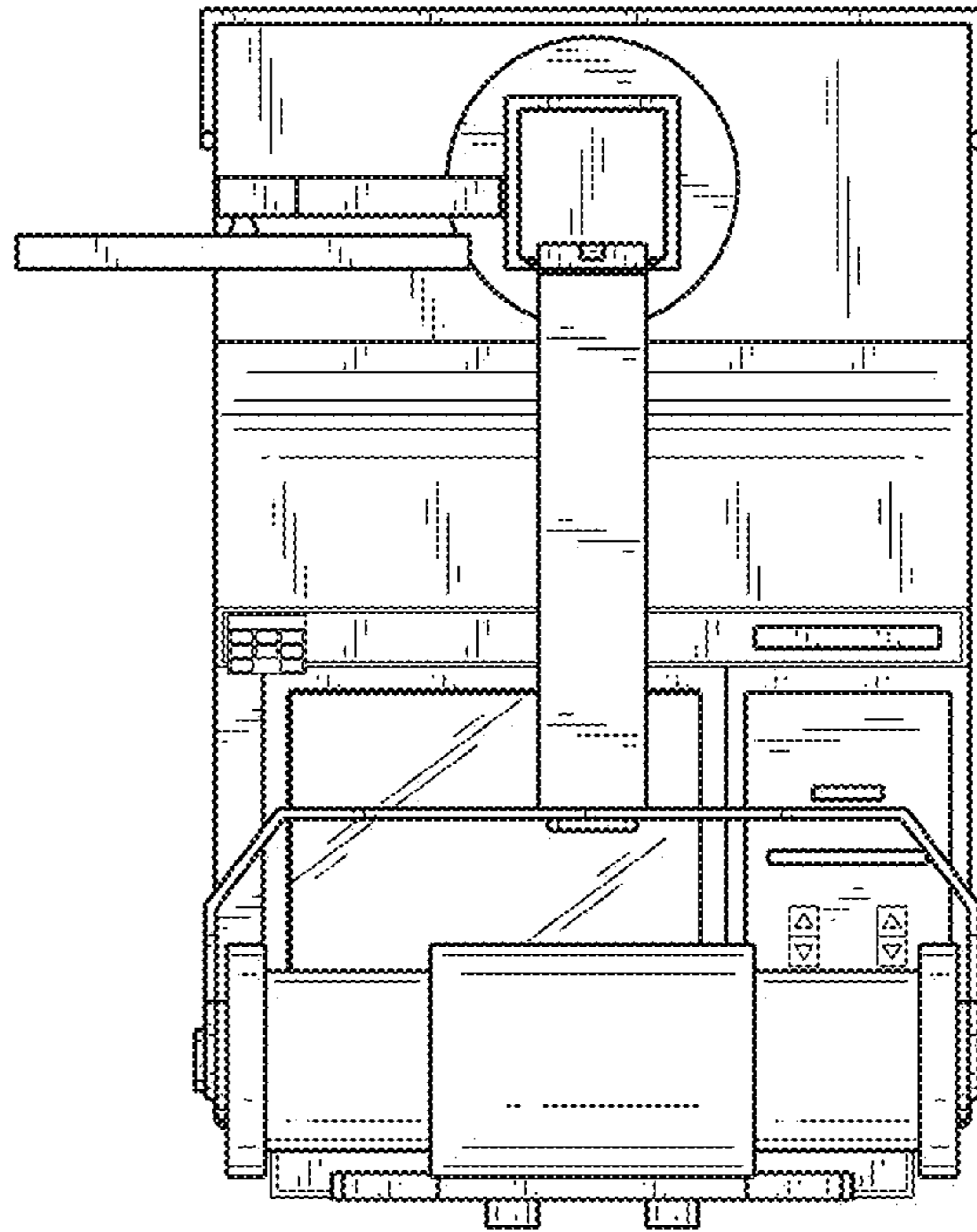


FIG. 7

