



US00D724734S

(12) **United States Design Patent**
Baker et al.

(10) **Patent No.:** **US D724,734 S**
(45) **Date of Patent:** **** Mar. 17, 2015**

(54) **ORTHOPEdic PLATE**

(71) Applicant: **Smith & Nephew, Inc.**, Memphis, TN (US)

(72) Inventors: **Charles R. Baker**, Lakeland, TN (US);
Jeffrey S. Viles, Cordova, TN (US)

(73) Assignee: **Smith & Nephew, Inc.**, Memphis, TN (US)

(**) Term: **14 Years**

(21) Appl. No.: **29/478,059**

(22) Filed: **Dec. 31, 2013**

(51) **LOC (10) Cl.** **24-02**

(52) **U.S. Cl.**

USPC **D24/155**

(58) **Field of Classification Search**

USPC D24/155, 156; 623/17.14, 17.15, 17.11,
623/16.71; D8/391-393, 382, 354;
606/246, 247, 248, 249, 258, 267, 280,
606/70, 71, 281, 283, 287, 291, 299, 166,
606/903, 905, 906, 286, 396, 17.13, 86 R,
606/284, 298

See application file for complete search history.

(56) **References Cited**

U.S. PATENT DOCUMENTS

D576,731 S * 9/2008 Strnad et al. D24/155
D589,148 S * 3/2009 Strnad et al. D24/155
D589,149 S * 3/2009 Strnad et al. D24/155
D646,785 S * 10/2011 Milford D24/155

(Continued)

Primary Examiner — Ian Simmons

Assistant Examiner — Charles Hanson

(74) *Attorney, Agent, or Firm* — Krieg DeVault LLP

(57) **CLAIM**

The ornamental design for an orthopedic plate, as shown and described.

DESCRIPTION

FIG. 1 is a front/top, left-side perspective view of a first embodiment of the orthopedic plate.

FIG. 2 is a top view of the first embodiment of the orthopedic plate.

FIG. 3 is a rear view of the first embodiment of the orthopedic plate.

FIG. 4 is a front view of the first embodiment of the orthopedic plate.

FIG. 5 is a bottom view of the first embodiment of the orthopedic plate.

FIG. 6 is a left-side view of the first embodiment of the orthopedic plate.

FIG. 7 is a right-side view of the first embodiment of the orthopedic plate.

FIG. 8 is a right-side view of the first embodiment of the orthopedic plate, as viewed in a direction normal to the right-side edge.

FIG. 9 is a front/top, left-side perspective view of a second embodiment of the orthopedic plate.

FIG. 10 is a top view of the second embodiment of the orthopedic plate.

FIG. 11 is a rear view of the second embodiment of the orthopedic plate.

FIG. 12 is a front view of the second embodiment of the orthopedic plate.

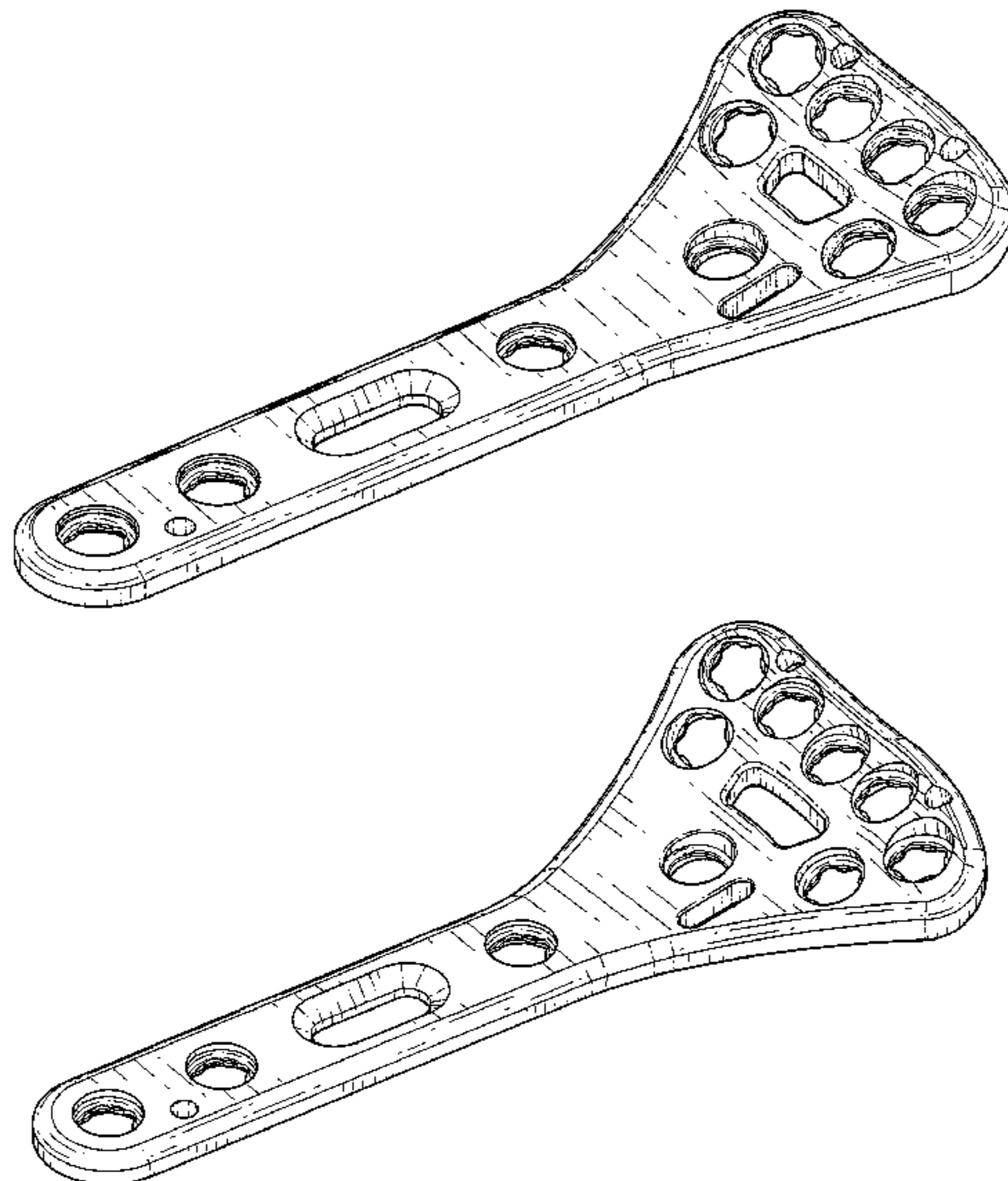
FIG. 13 is a bottom view of the second embodiment of the orthopedic plate.

FIG. 14 is a left-side view of the second embodiment of the orthopedic plate.

FIG. 15 is a right-side view of the second embodiment of the orthopedic plate; and,

FIG. 16 is a right-side view of the second embodiment of the orthopedic plate, as viewed in a direction normal to the right-side edge.

1 Claim, 10 Drawing Sheets



US D724,734 S

Page 2

(56)

References Cited

U.S. PATENT DOCUMENTS

D664,253 S * 7/2012 Pech D24/155
D665,082 S * 8/2012 Milford D24/155
D700,334 S * 2/2014 Borostyankoi et al. D24/155

2005/0085818 A1* 4/2005 Huebner 606/69
2005/0245931 A1* 11/2005 Orbay 606/69
2007/0088360 A1* 4/2007 Orbay et al. 606/69
2008/0021477 A1* 1/2008 Strnad et al. 606/69

* cited by examiner

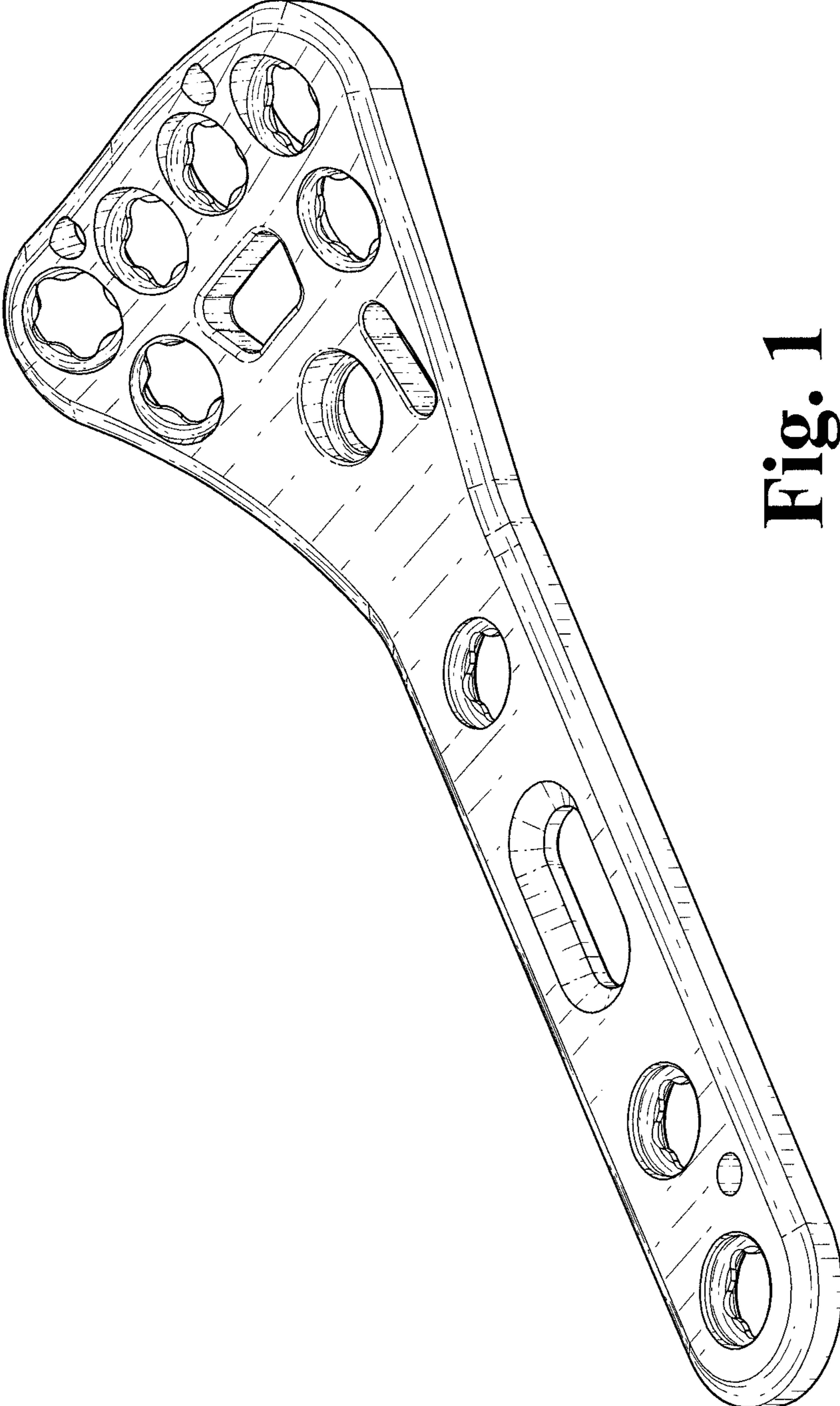


Fig. 1

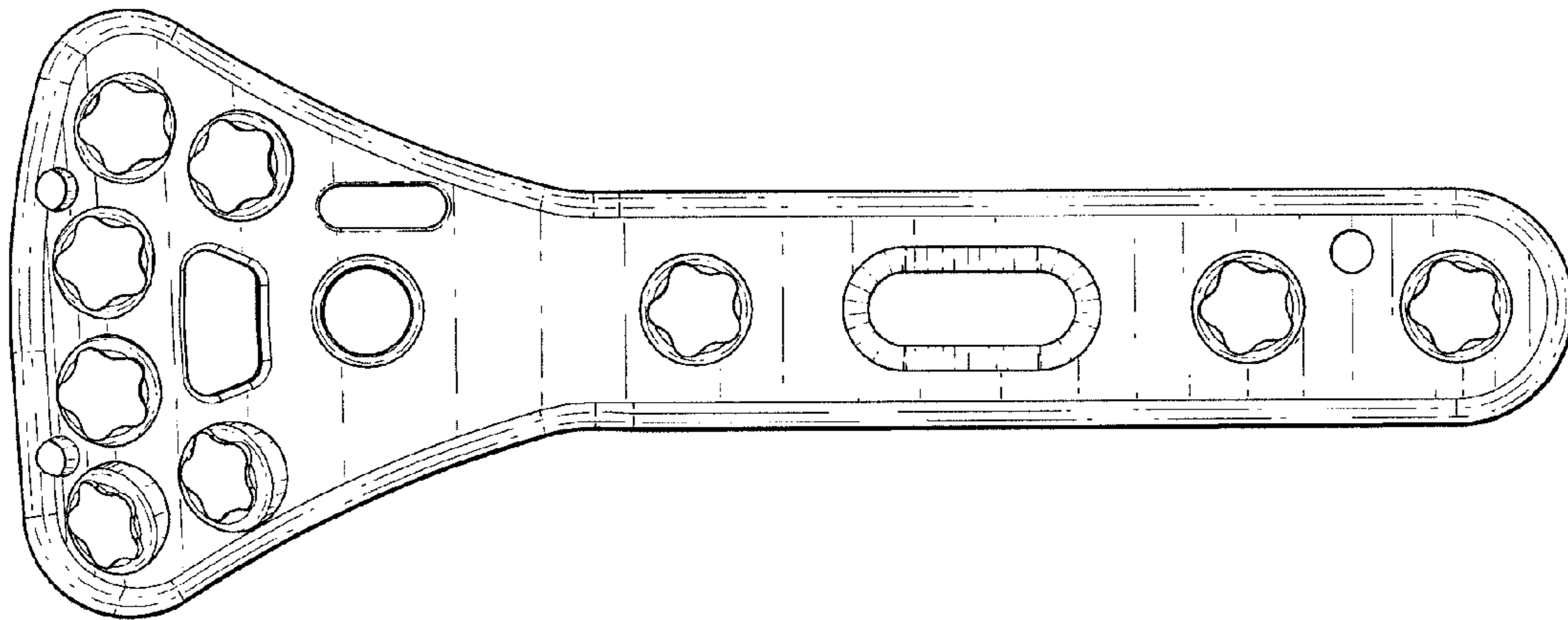


Fig. 2

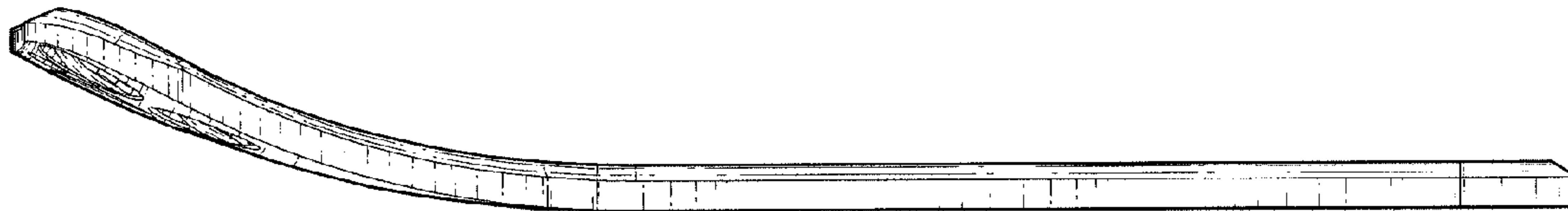


Fig. 3

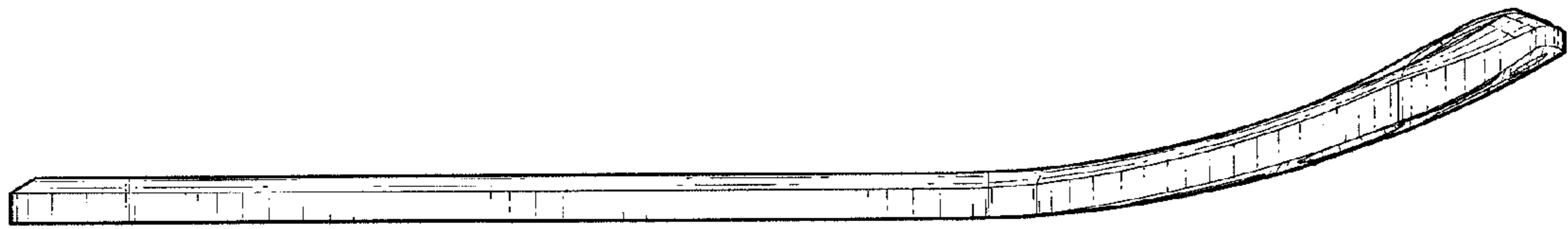


Fig. 4

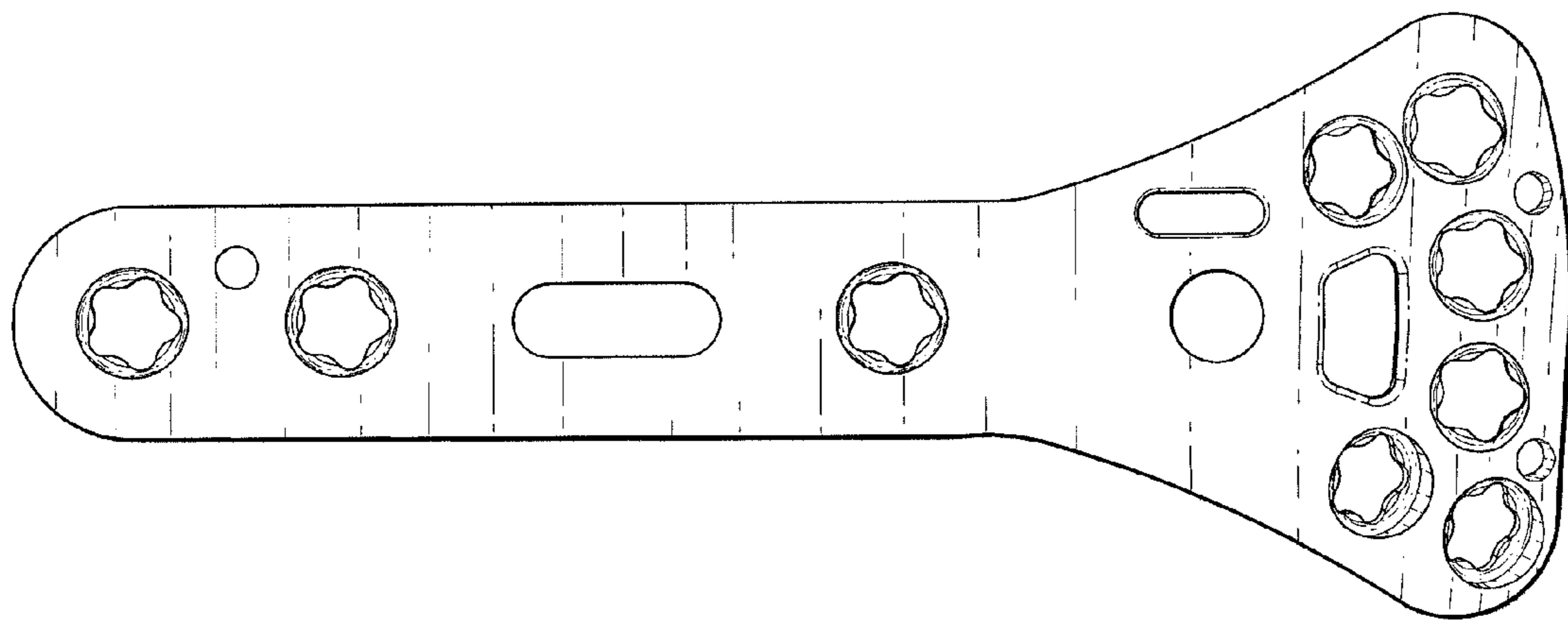


Fig. 5

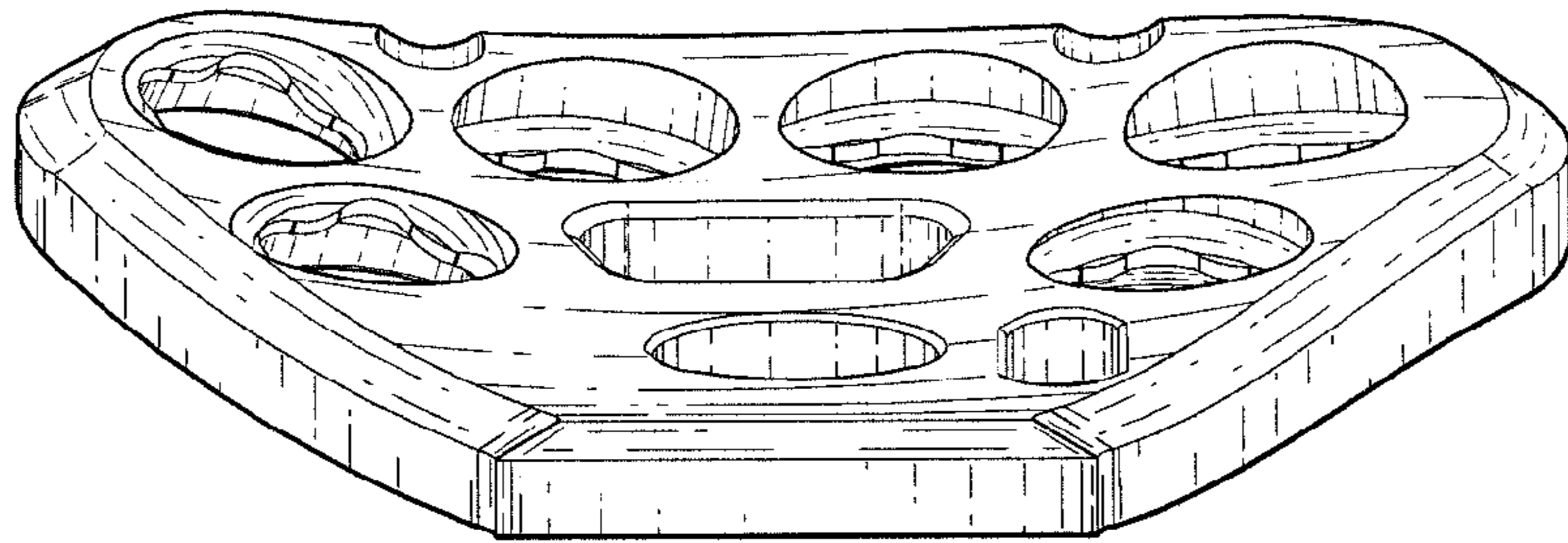


Fig. 6

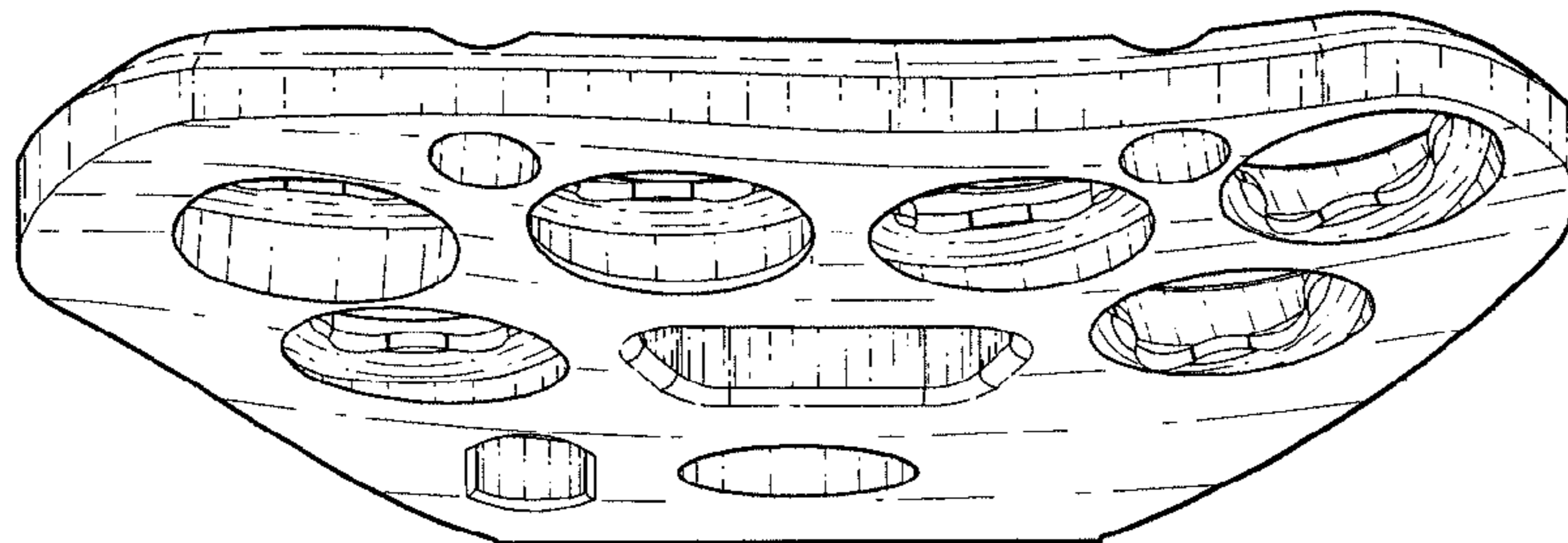


Fig. 7

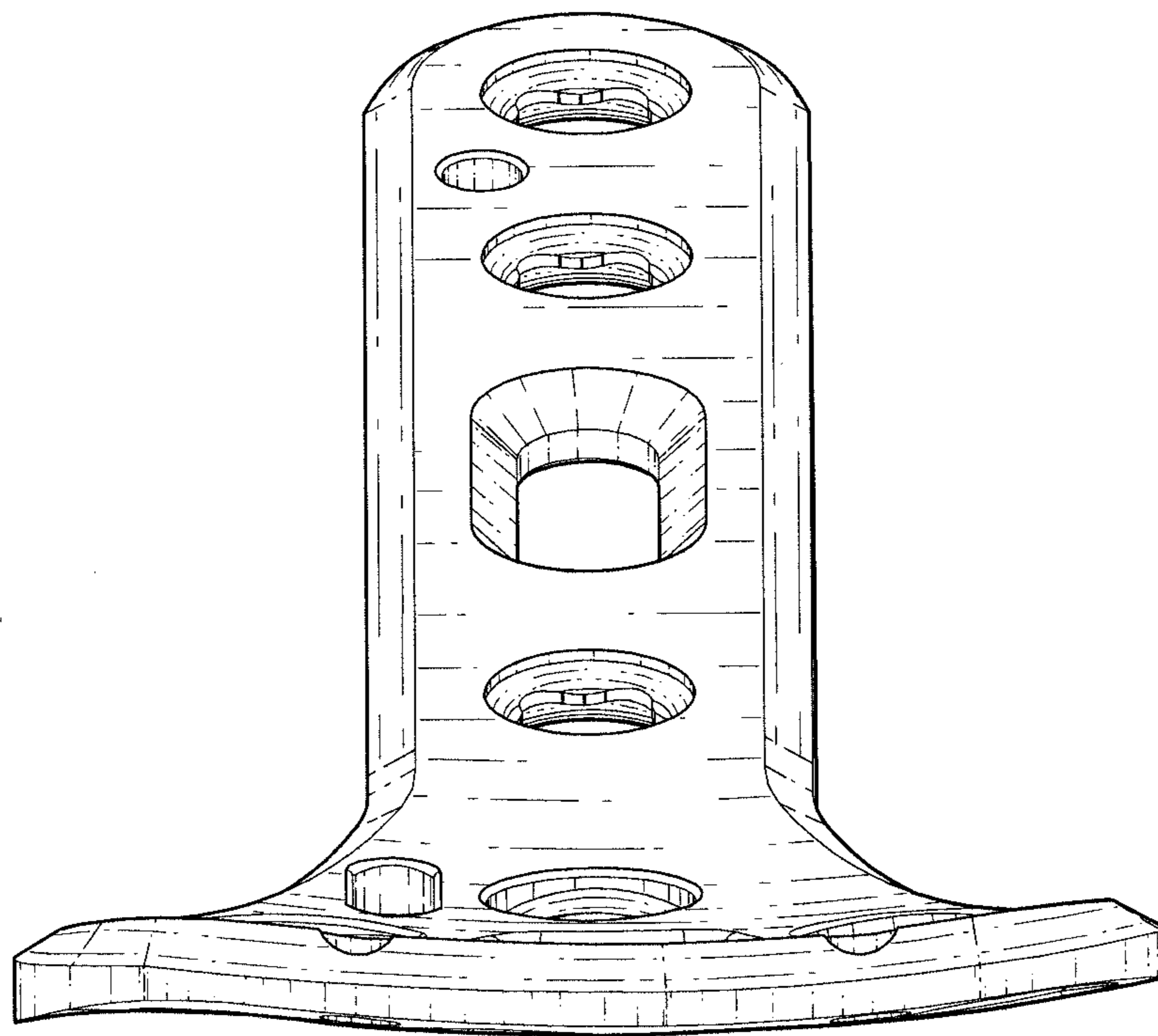


Fig. 8

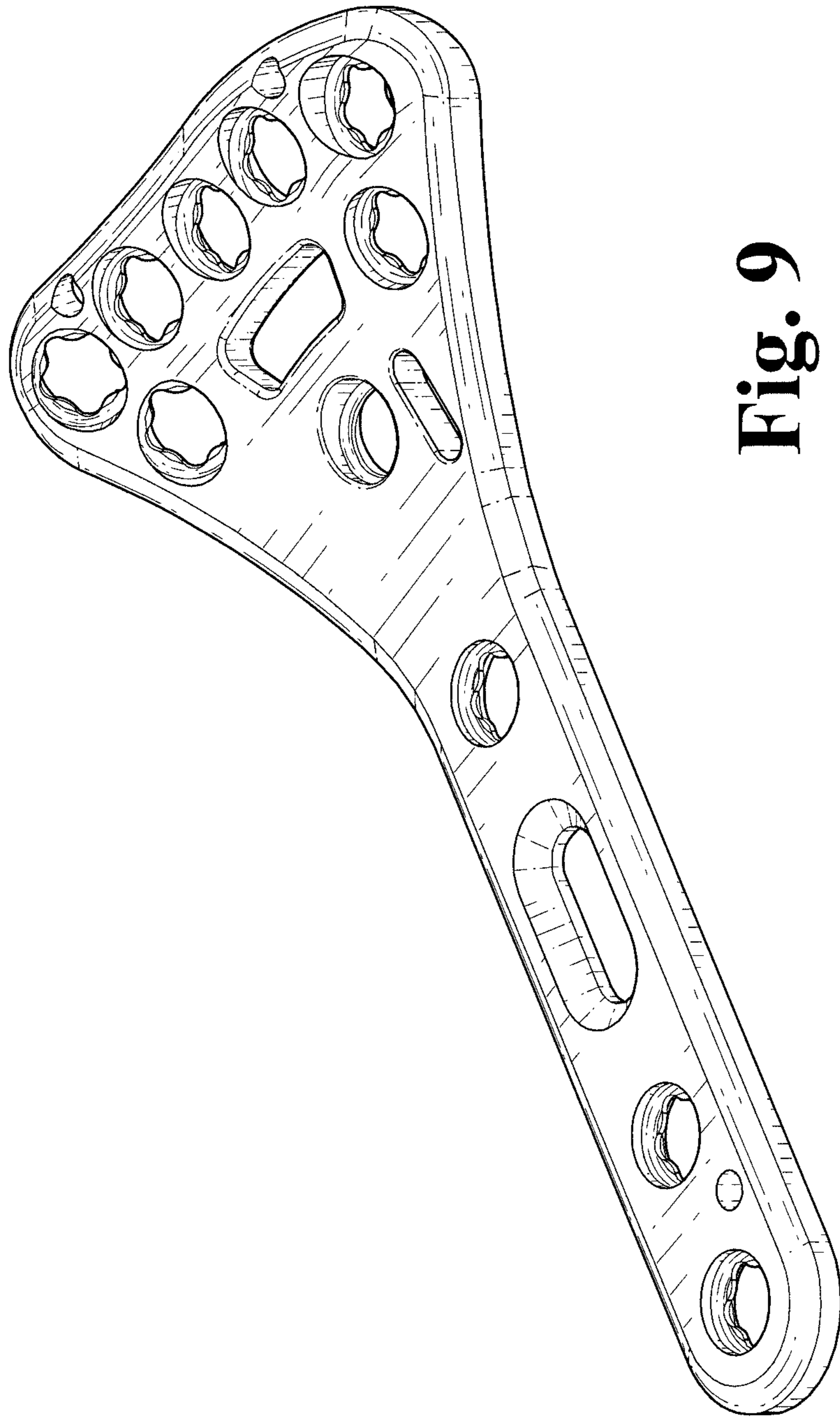


Fig. 9

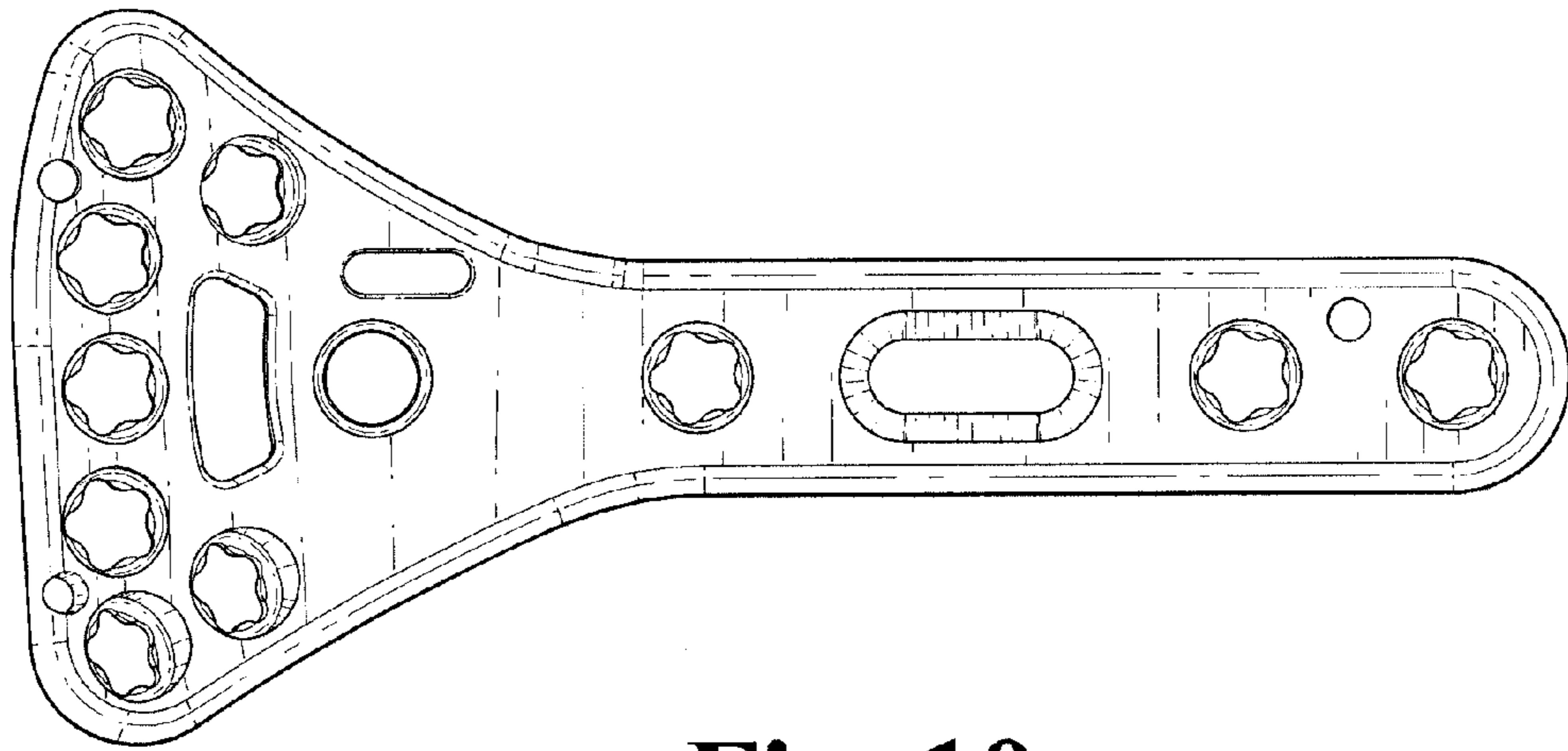


Fig. 10



Fig. 11

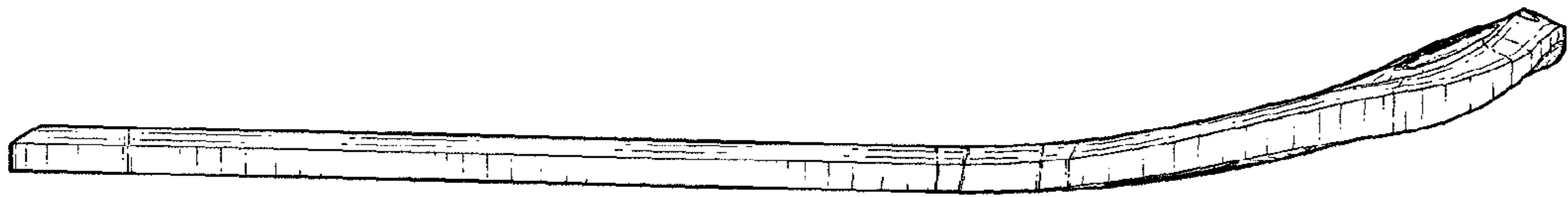


Fig. 12

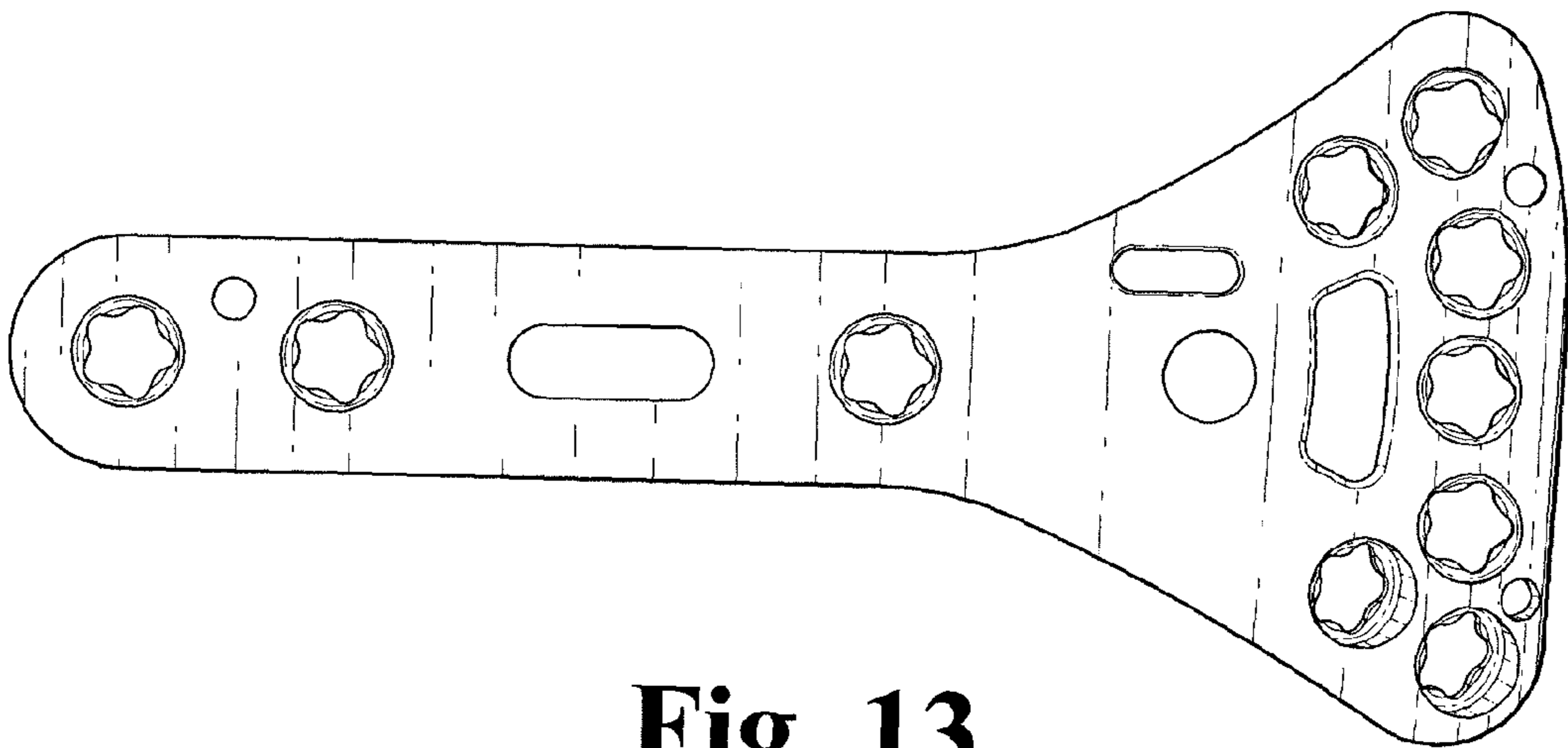


Fig. 13

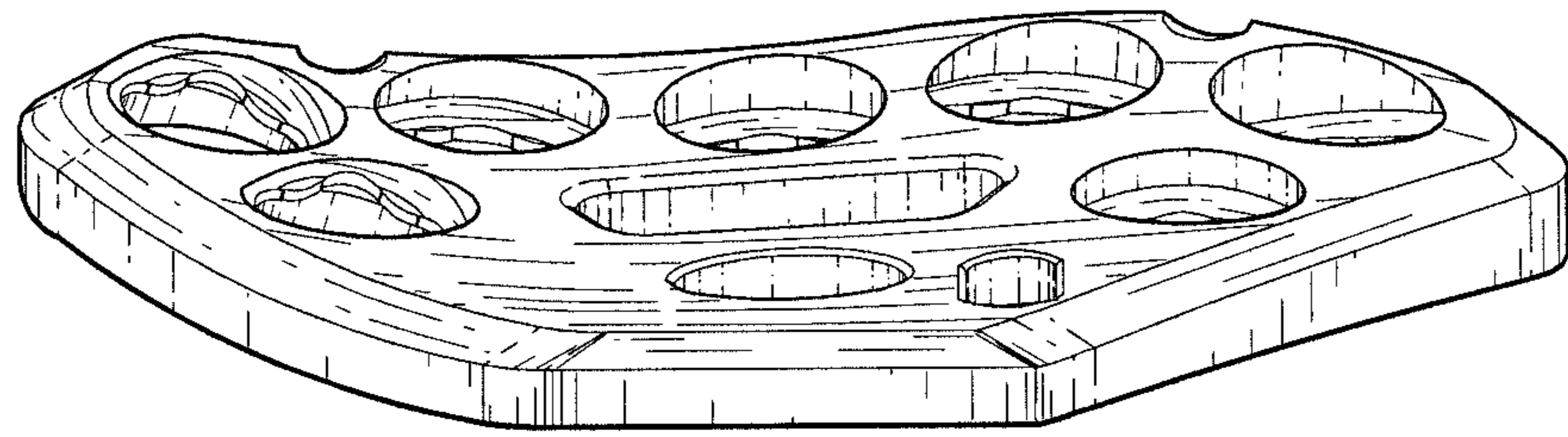


Fig. 14

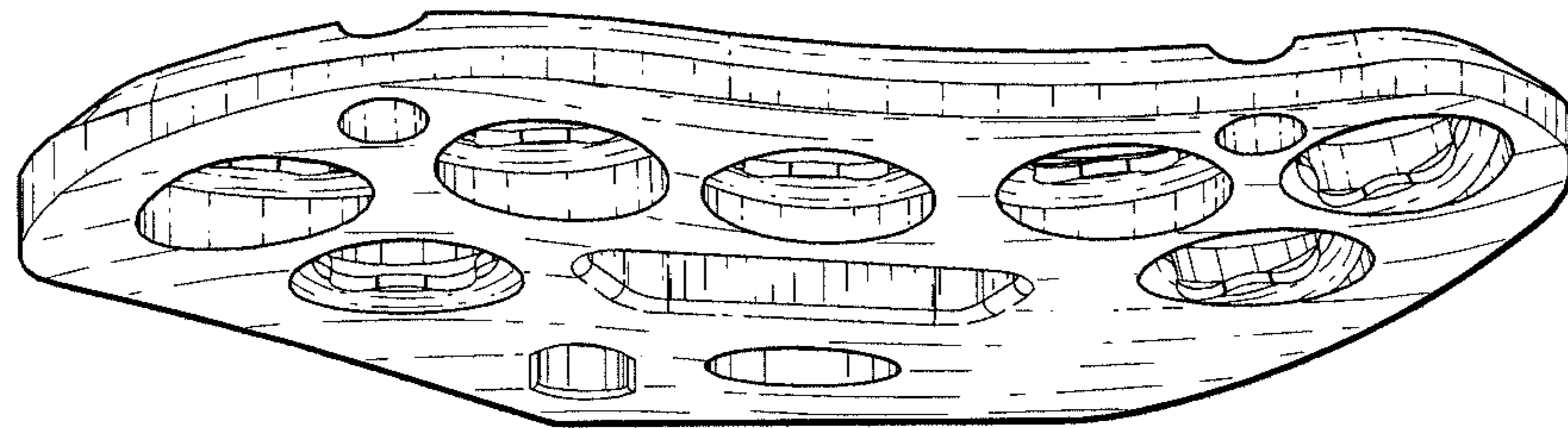


Fig. 15

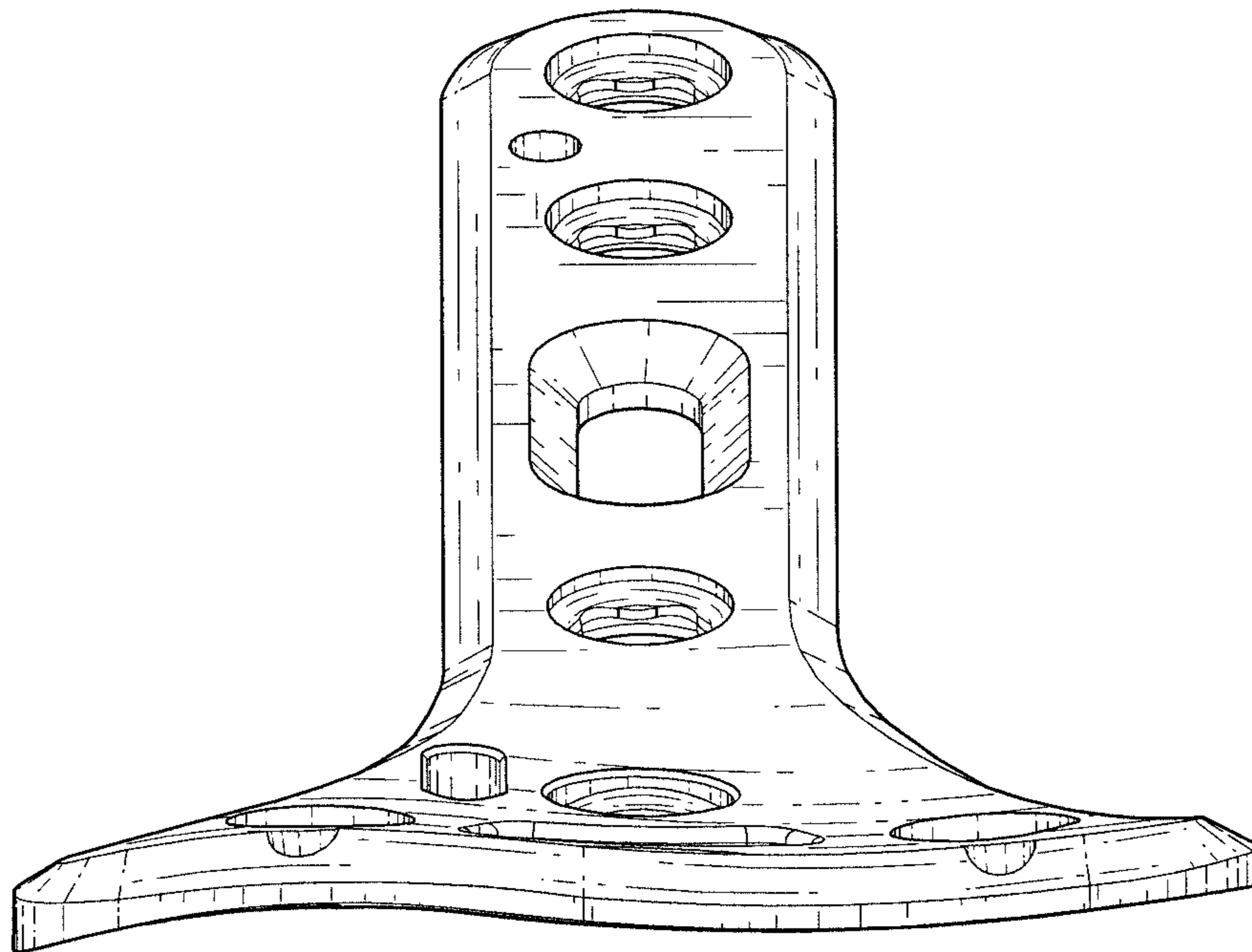


Fig. 16