



US00D724732S

(12) **United States Design Patent**
Kimball et al.

(10) **Patent No.:** **US D724,732 S**
(45) **Date of Patent:** **** Mar. 17, 2015**

(54) **SURGICAL INSTRUMENT**

(71) Applicant: **Ethicon Endo-Surgery, Inc.**, Cincinnati, OH (US)

(72) Inventors: **Cory G. Kimball**, Cincinnati, OH (US);
Tylor C. Muhlenkamp, Cincinnati, OH (US);
Craig N. Faller, Milford, OH (US)

(73) Assignee: **Ethicon Endo-Surgery, Inc.**, Cincinnati, OH (US)

(**) Term: **14 Years**

(21) Appl. No.: **29/467,319**

(22) Filed: **Sep. 18, 2013**

(51) **LOC (10) Cl.** **24-02**

(52) **U.S. Cl.**
USPC **D24/144**

(58) **Field of Classification Search**
USPC D24/133, 143-149; 606/1, 39-40, 45,
606/48-52, 139, 142, 167, 169-170, 171,
606/205-208
See application file for complete search history.

(56) **References Cited**

U.S. PATENT DOCUMENTS

D533,942 S * 12/2006 Kerr et al. D24/144
D541,938 S * 5/2007 Kerr et al. D24/144

7,909,823 B2 * 3/2011 Moses et al. 606/51
D670,808 S * 11/2012 Moua et al. D24/144
8,328,834 B2 * 12/2012 Isaacs et al. 606/169
8,357,159 B2 * 1/2013 Romero 606/51
2007/0191713 A1 8/2007 Eichmann et al.
2012/0046662 A1 * 2/2012 Gilbert 606/51
2012/0059409 A1 * 3/2012 Reschke et al. 606/208
2012/0078249 A1 * 3/2012 Eichmann et al. 606/45
2013/0138101 A1 * 5/2013 Kerr 606/45

* cited by examiner

Primary Examiner — Wan Laymon

(74) *Attorney, Agent, or Firm* — Frost Brown Todd LLC

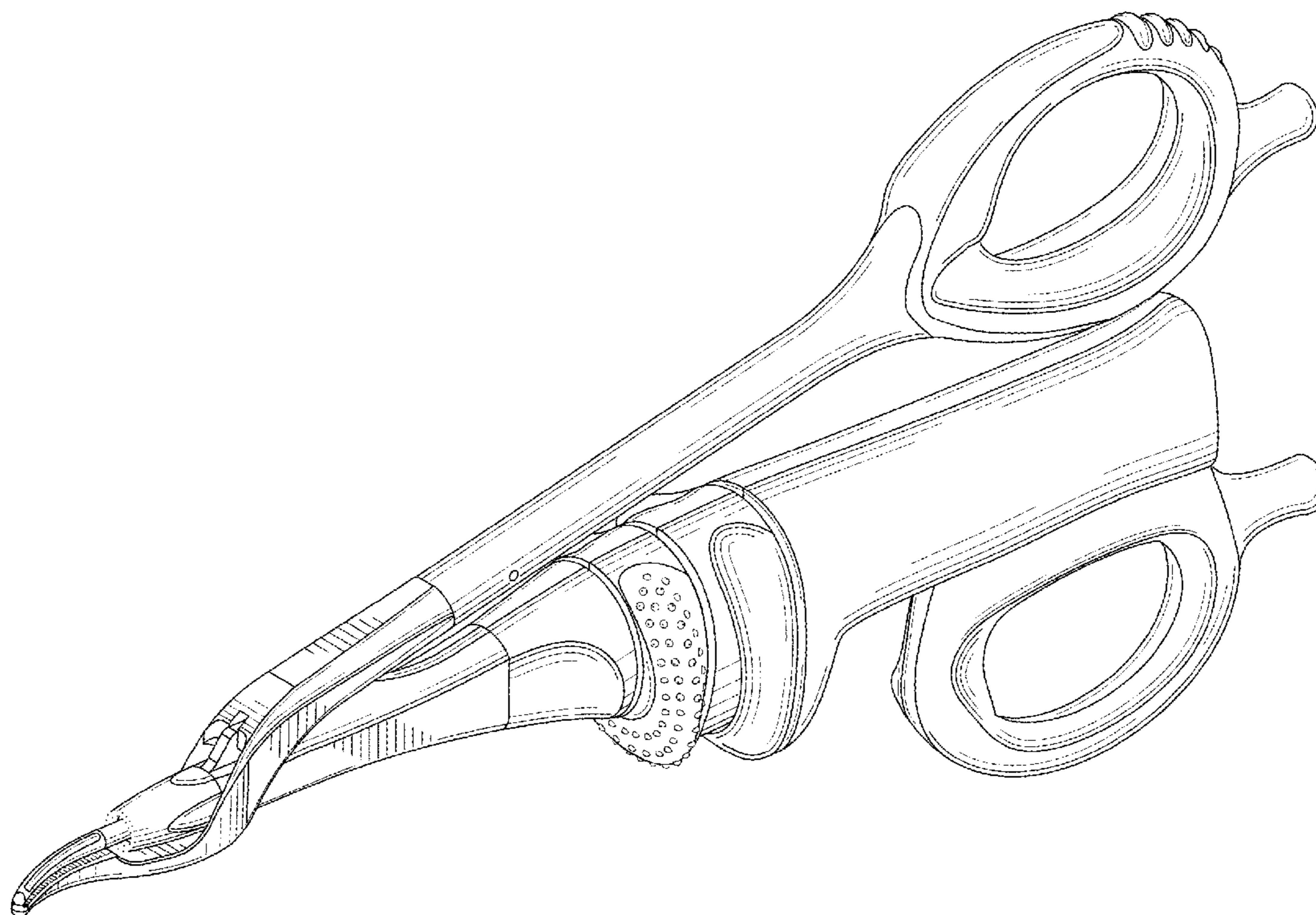
(57) **CLAIM**

The ornamental design for a surgical instrument, as shown and described.

DESCRIPTION

FIG. 1 is a perspective view of a surgical instrument, showing our new design;
FIG. 2 is another perspective view thereof;
FIG. 3 is a front elevational view thereof;
FIG. 4 is a back elevational view thereof;
FIG. 5 is a left elevational view thereof;
FIG. 6 is a right elevational view thereof;
FIG. 7 is a top plan view thereof; and,
FIG. 8 is a bottom plan view thereof.
Portions of the surgical instrument shown in broken lines form no part of the claimed design.

1 Claim, 8 Drawing Sheets



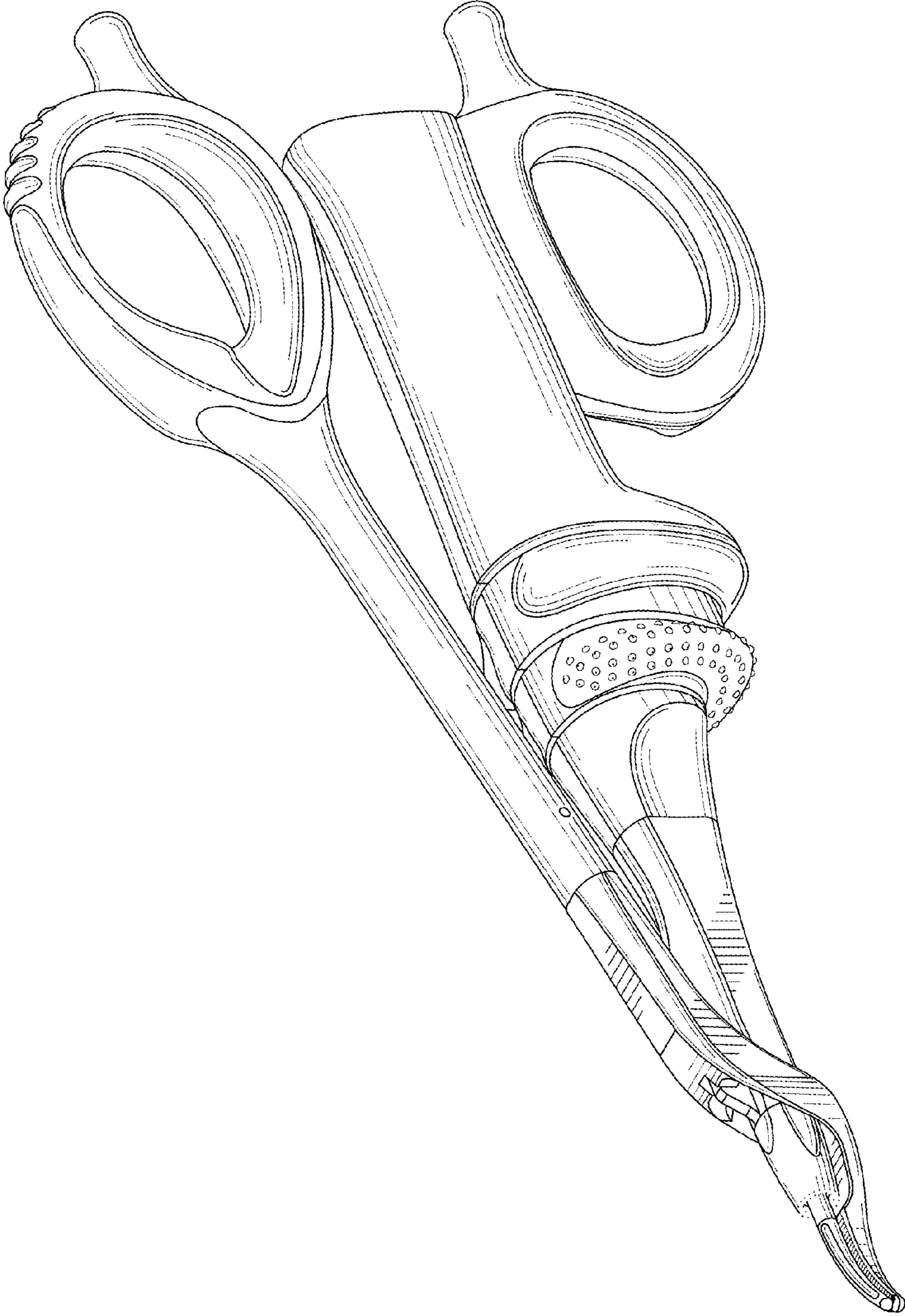


Fig. 1

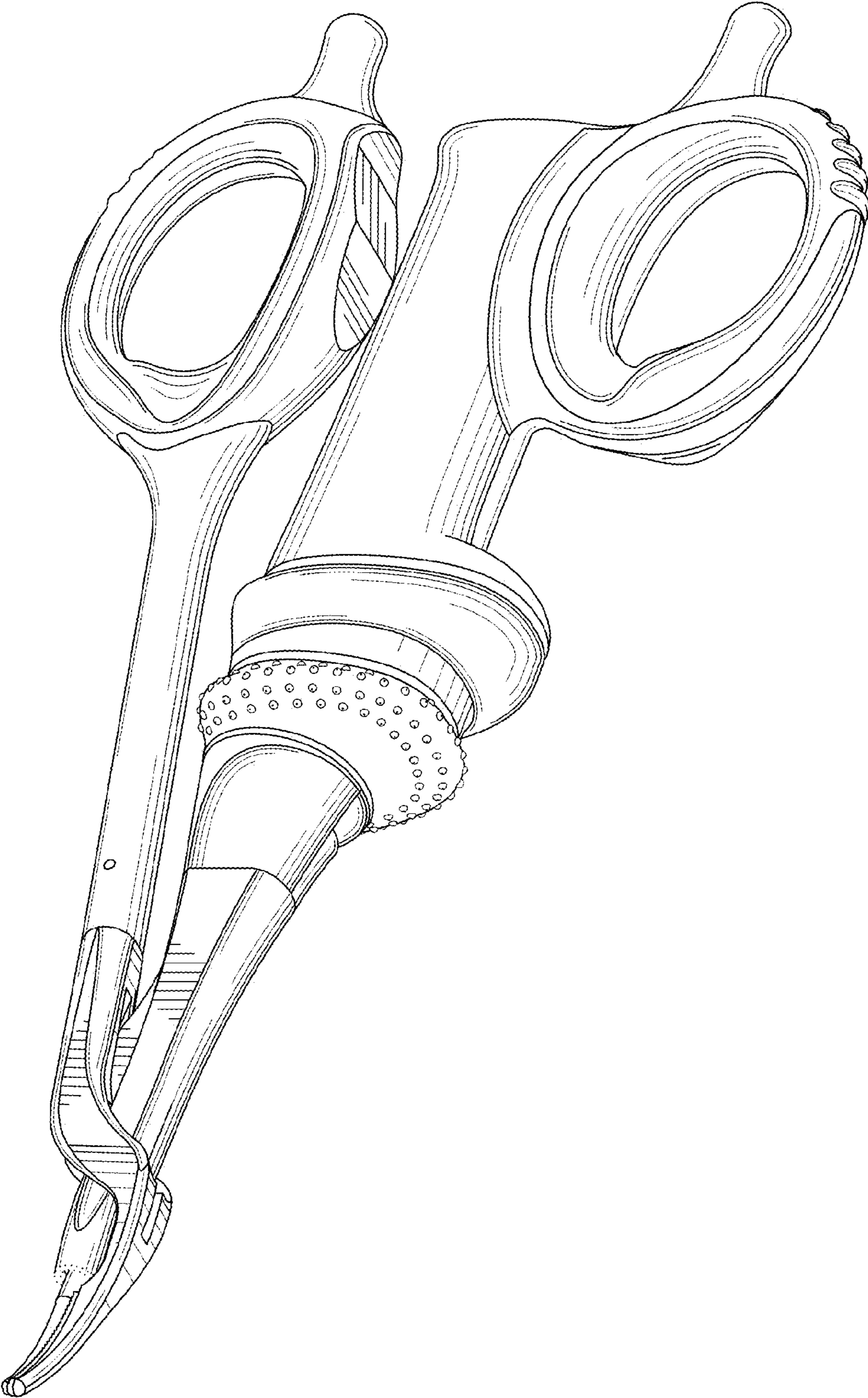


Fig.2

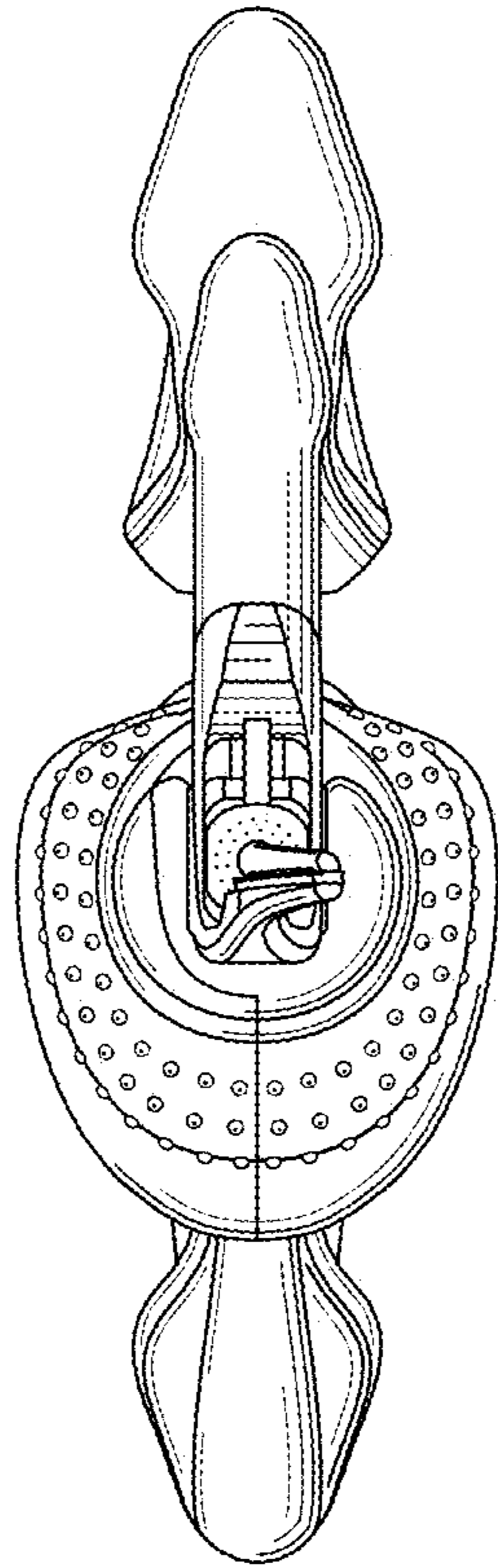


Fig.3

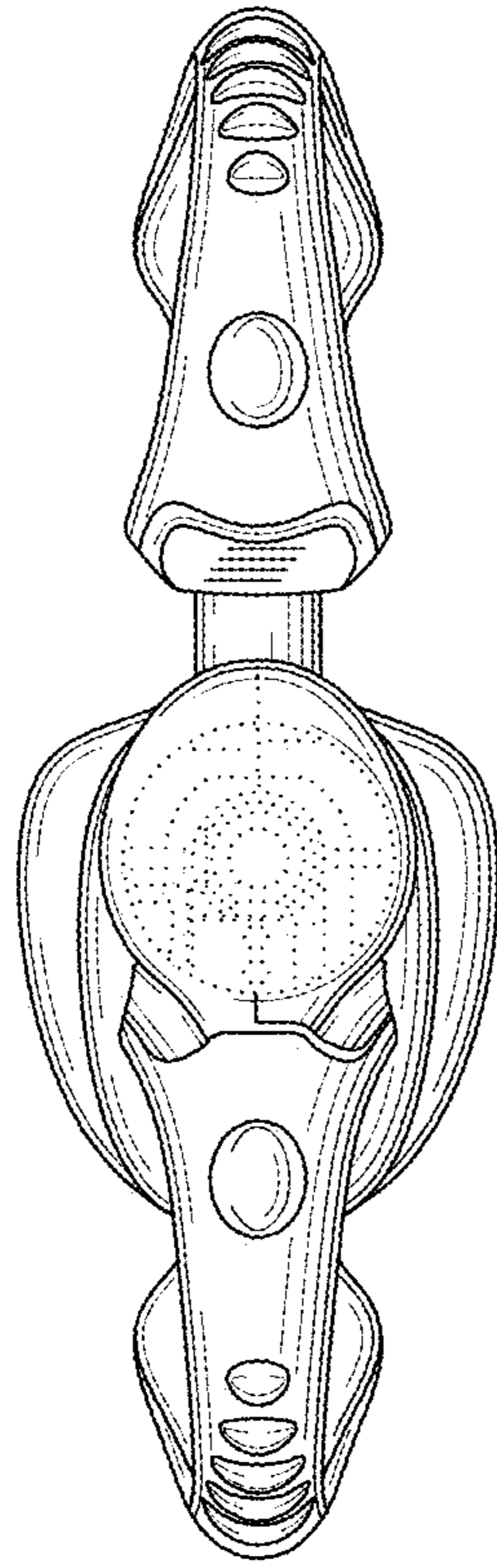


Fig. 4

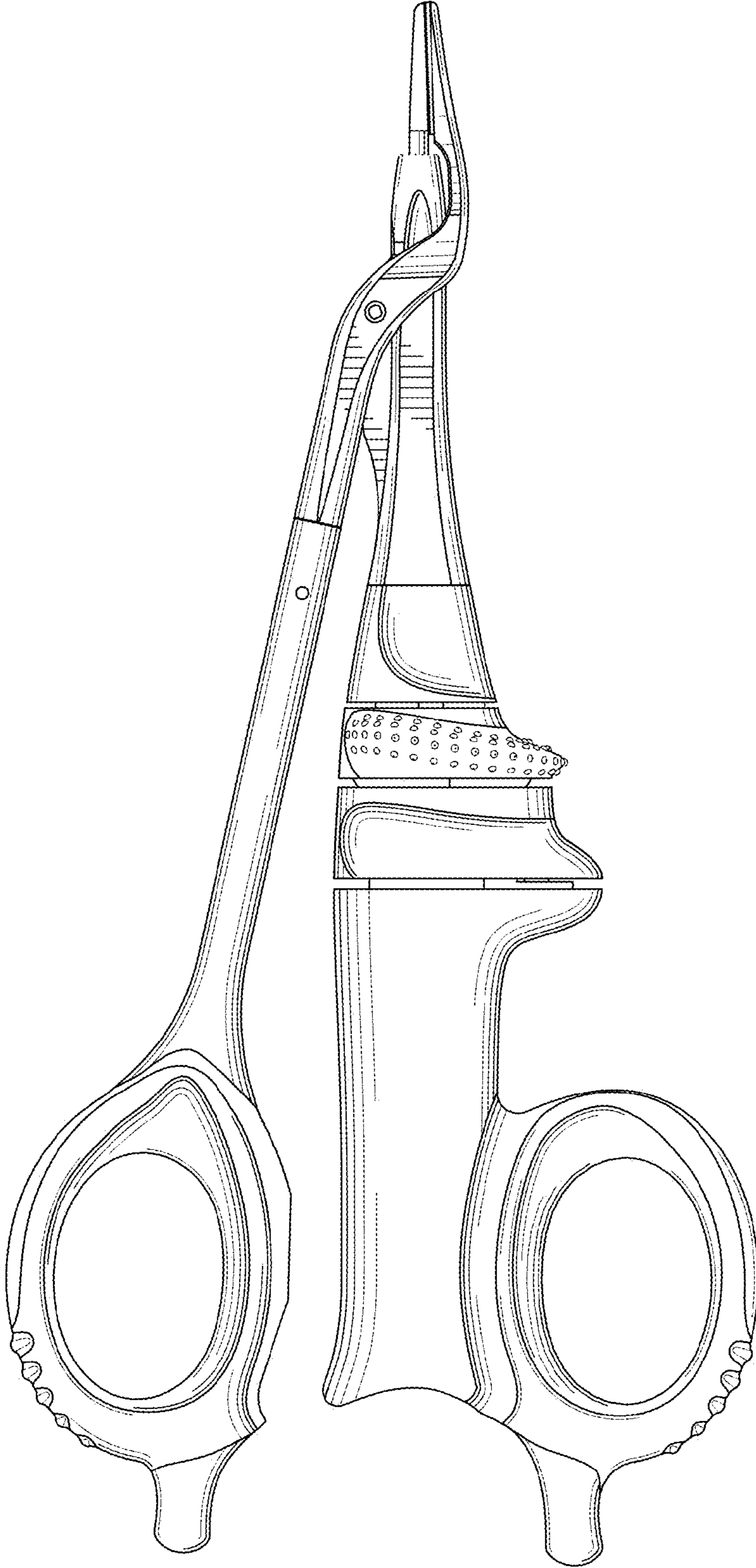


Fig. 5

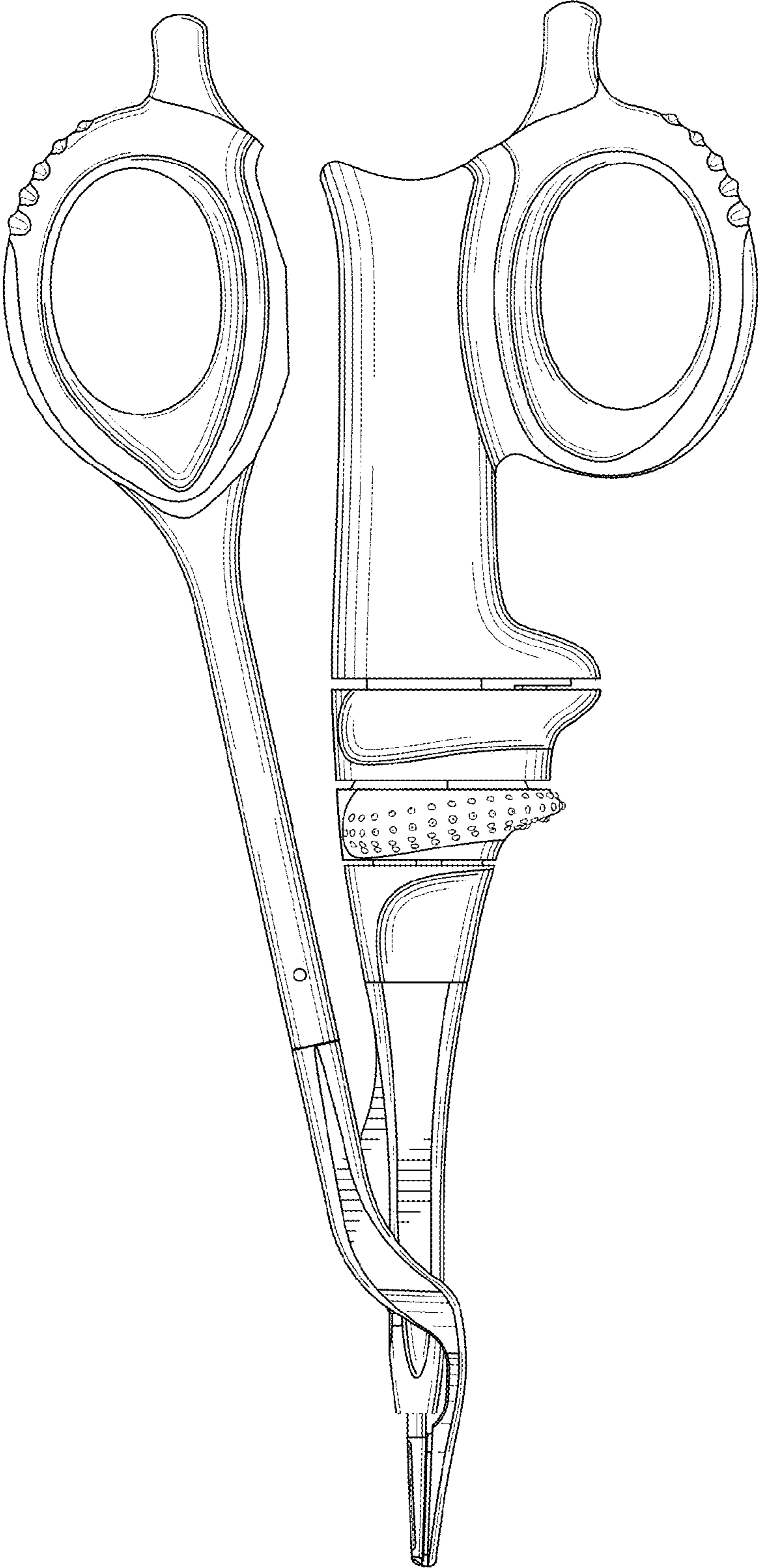


Fig. 6

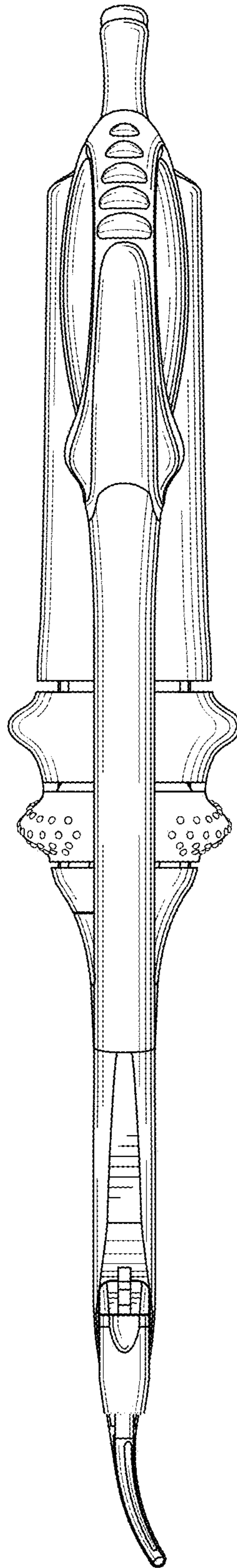


Fig. 7

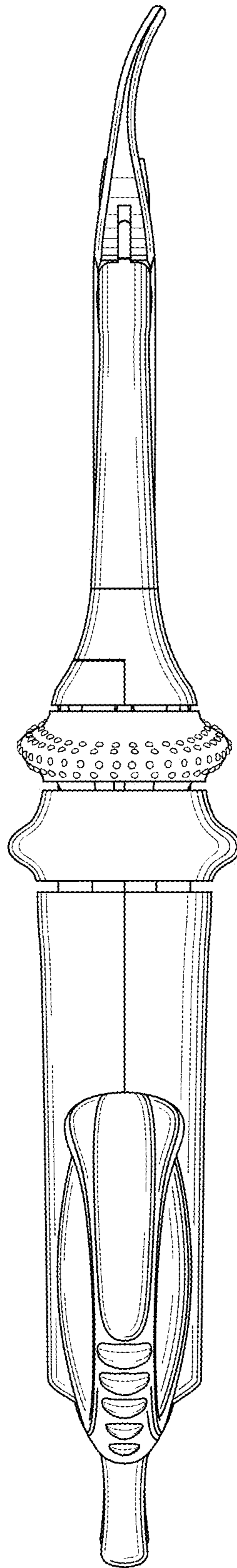


Fig.8