



US00D724730S

(12) **United States Design Patent**
Chaney et al.

(10) **Patent No.:** **US D724,730 S**
(45) **Date of Patent:** **** Mar. 17, 2015**

(54) **NOTCH CUTTING BLOCK**

(71) Applicants: **Rebecca L. Chaney**, Warsaw, IN (US);
Craig S. Tsukayama, Fort Wayne, IN
(US); **Jonathan C. Lee**, Mishawaka, IN
(US); **Benjamin J. Sordelet**, Columbia
City, IN (US)

(72) Inventors: **Rebecca L. Chaney**, Warsaw, IN (US);
Craig S. Tsukayama, Fort Wayne, IN
(US); **Jonathan C. Lee**, Mishawaka, IN
(US); **Benjamin J. Sordelet**, Columbia
City, IN (US)

(73) Assignee: **DePuy (Ireland) (IE)**

(**) Term: **14 Years**

(21) Appl. No.: **29/457,173**

(22) Filed: **Jun. 7, 2013**

(51) **LOC (10) Cl.** **24-02**

(52) **U.S. Cl.**
USPC **D24/140**

(58) **Field of Classification Search**
CPC A61B 17/17; A61B 17/1725; A61F 2/46;
A61F 2/4601; A61F 2/4603; A61F 2/4607;
A61F 2/461
USPC D24/133, 140, 143, 144, 145, 146, 147,
D24/155, 171
See application file for complete search history.

(56) **References Cited**

U.S. PATENT DOCUMENTS

| | | | | |
|-----------|------|---------|---------------|---------|
| 4,211,228 | A * | 7/1980 | Cloutier | 606/102 |
| D273,895 | S * | 5/1984 | Kenna | D24/140 |
| D274,091 | S * | 5/1984 | Kenna | D24/140 |
| D274,092 | S * | 5/1984 | Kenna | D24/140 |
| D274,095 | S * | 5/1984 | Kenna | D24/140 |
| D355,254 | S * | 2/1995 | Krafft et al. | D24/140 |
| 5,735,856 | A * | 4/1998 | McCue et al. | 606/87 |
| D629,900 | S * | 12/2010 | Fisher | D24/146 |
| 7,963,968 | B2 * | 6/2011 | Dees, Jr. | 606/88 |
| D646,390 | S * | 10/2011 | Bailey et al. | D24/140 |

| | | | | |
|--------------|-----|---------|------------------|---------|
| D649,639 | S * | 11/2011 | Bertoni et al. | D24/140 |
| D651,316 | S * | 12/2011 | May et al. | D24/140 |
| D694,884 | S * | 12/2013 | Mooradian et al. | D24/140 |
| 2009/0125114 | A1 | 5/2009 | May et al. | |
| 2013/0325014 | A1 | 12/2013 | Sordelet et al. | |
| 2013/0325016 | A1 | 12/2013 | Sordelet et al. | |
| 2013/0325018 | A1 | 12/2013 | Thomas et al. | |
| 2013/0325019 | A1 | 12/2013 | Thomas et al. | |

(Continued)

OTHER PUBLICATIONS

Zimmer NexGen LCCK, Surgical Technique for use with LCCK
4-in-1 Instrument, 2009, 52 pages.

(Continued)

Primary Examiner — Bridget L Eland

(74) *Attorney, Agent, or Firm* — Barnes & Thornburg LLP

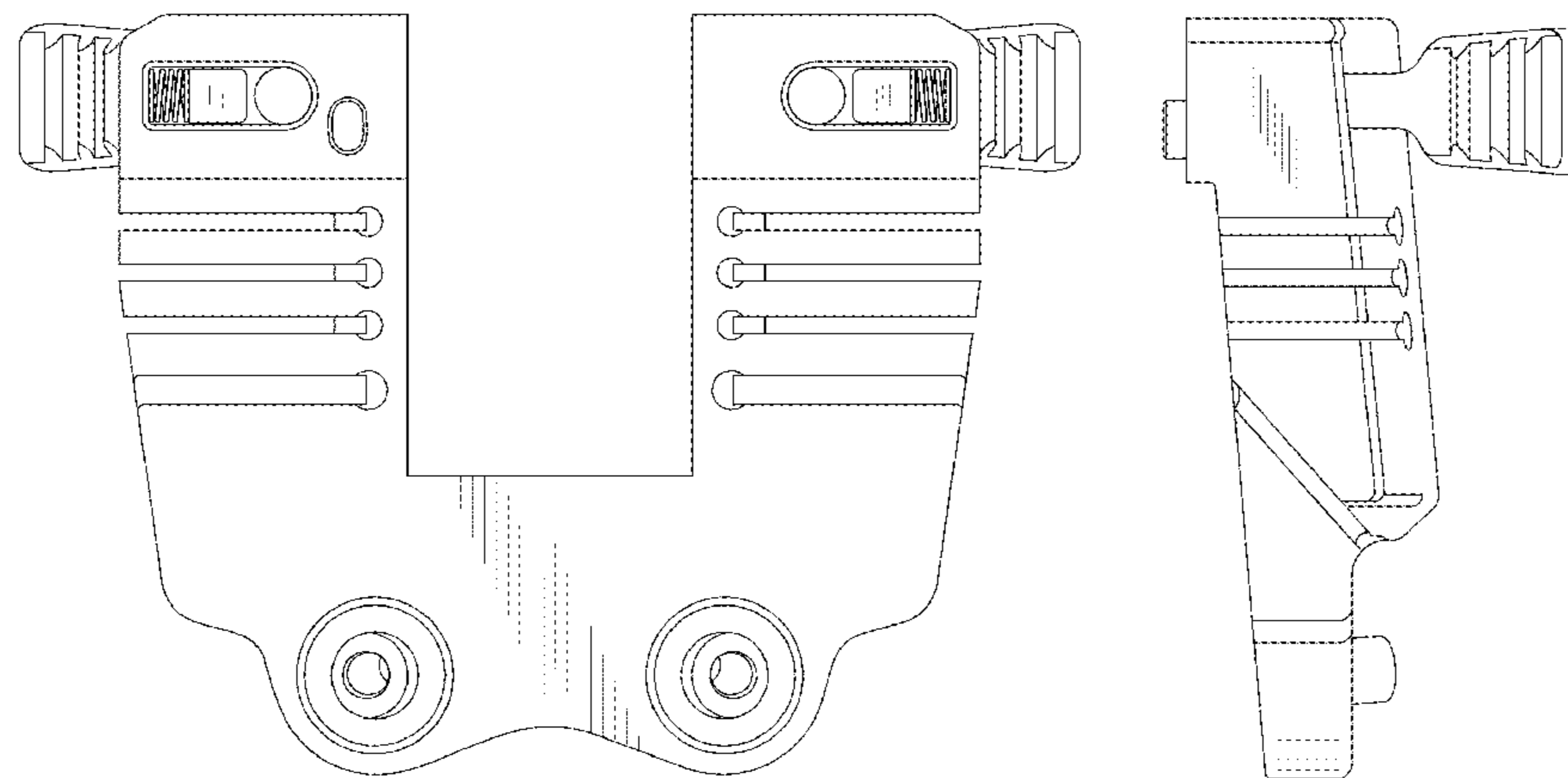
(57) **CLAIM**

We claim the ornamental design for a notch cutting block, as
shown and described.

DESCRIPTION

FIG. 1 is a rear perspective view of a notch cutting block
showing our new design;
FIG. 2 is a rear elevation view of the notch cutting block of
FIG. 1;
FIG. 3 is a front elevation view of the notch cutting block of
FIG. 1;
FIG. 4 is a first side elevation view of the notch cutting block
of FIG. 1;
FIG. 5 is a second side elevation view opposite the first side
elevation view of FIG. 4;
FIG. 6 is a top plan view of the notch cutting block of FIG. 1;
FIG. 7 is a bottom plan view of the notch cutting block of FIG.
1; and,
FIG. 8 is a front perspective view of the notch cutting block of
FIG. 1; and,
FIG. 9 is a rear perspective view of the notch cutting block of
FIG. 1, shown in an environment.
The features shown in broken lines depict environmental
subject matter only and form no part of the claimed design.

1 Claim, 8 Drawing Sheets



(56)

References Cited

U.S. PATENT DOCUMENTS

2013/0325021 A1 12/2013 Sordelet et al.
2013/0325136 A1 12/2013 Thomas et al.

OTHER PUBLICATIONS

DePuy Orthopaedics, Inc., Sigma Revision and M.B.T. Revision Tray, Surgical Technique, 2008, 82 pages.
Smith & Nephew, Legion, Revision Knee System, Surgical Technique, 2005, 40 pages.
Biomet, Vanguard SSK, Revision System, Surgical Technique, Feb. 2008, 64 pages.

GMK Revision, Surgical Technique, Ref. 99.27.12US rev. 1, 1999, 74 pages.
PFC Sigma RP-F, Specialist 2 Instruments, Surgical Technique, Performance in Flexion, 2007, 32 pages.
P.F.C. Sigma Rotating Platform Knee System with M.B.T Tray, Primary Procedure with a Curved or Posterior Stabilised Implant, 2003, 43 pages.
LCS High Performance Instruments, Surgical Technique, 2008, 44 pages.
Sigma High Performance Instruments, Design Rationale, 2007, 12 pages.
Sigma High Performance Instruments, Classic Surgical Technique, 2010, 52 pages.
Attune Knee System Surgical Technique, 2013, 73 pages.

* cited by examiner

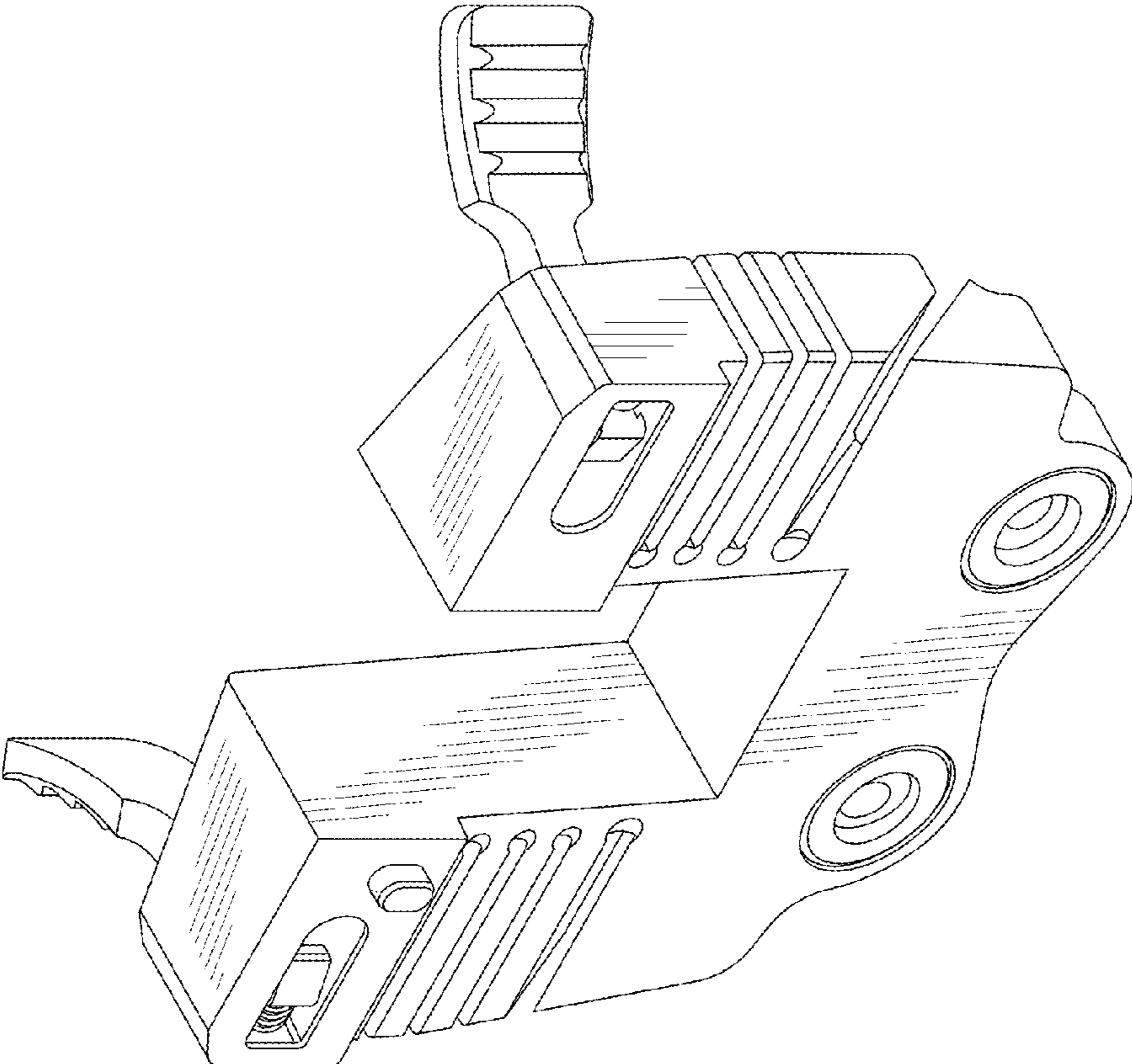


Fig. 1

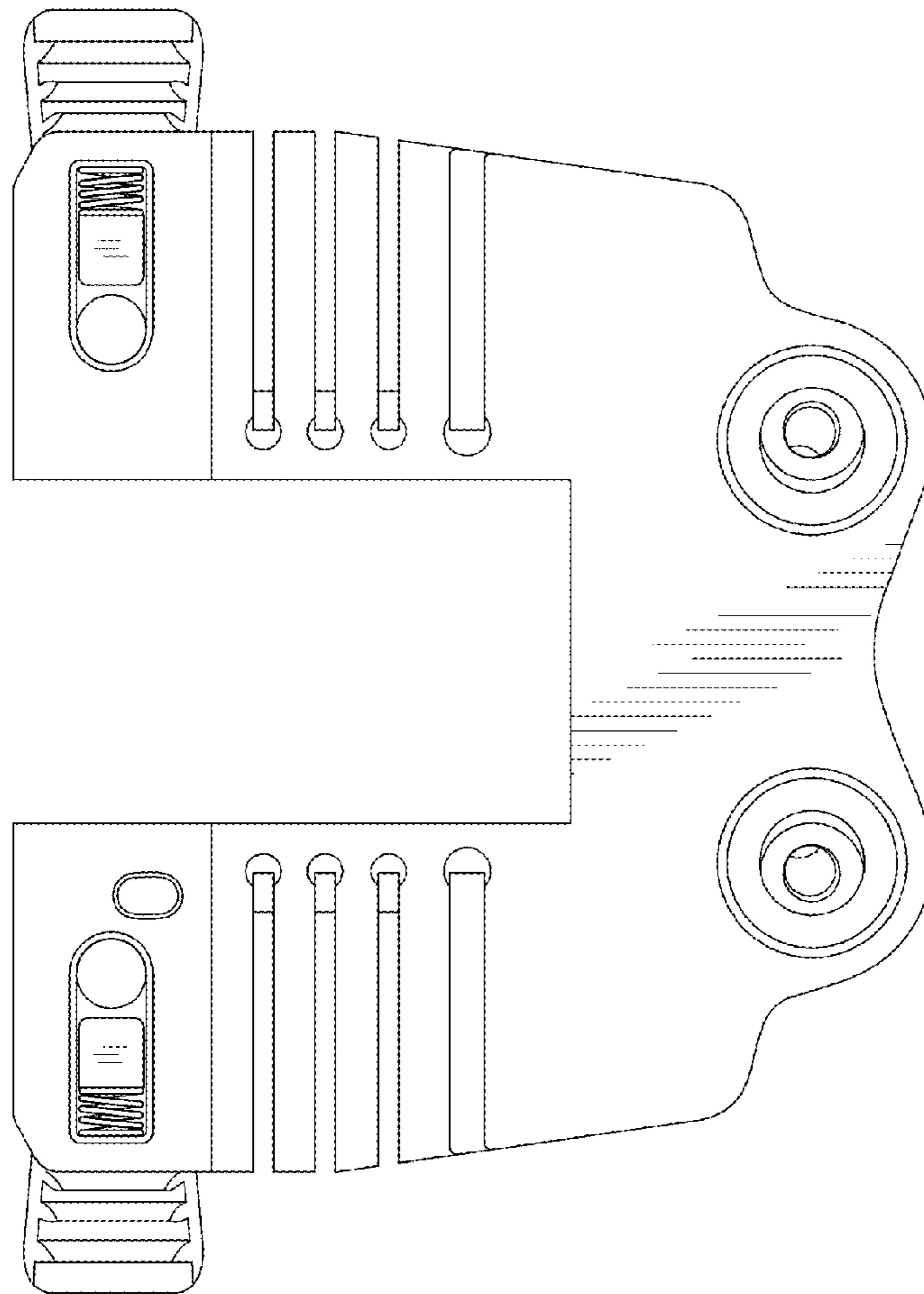


Fig. 2

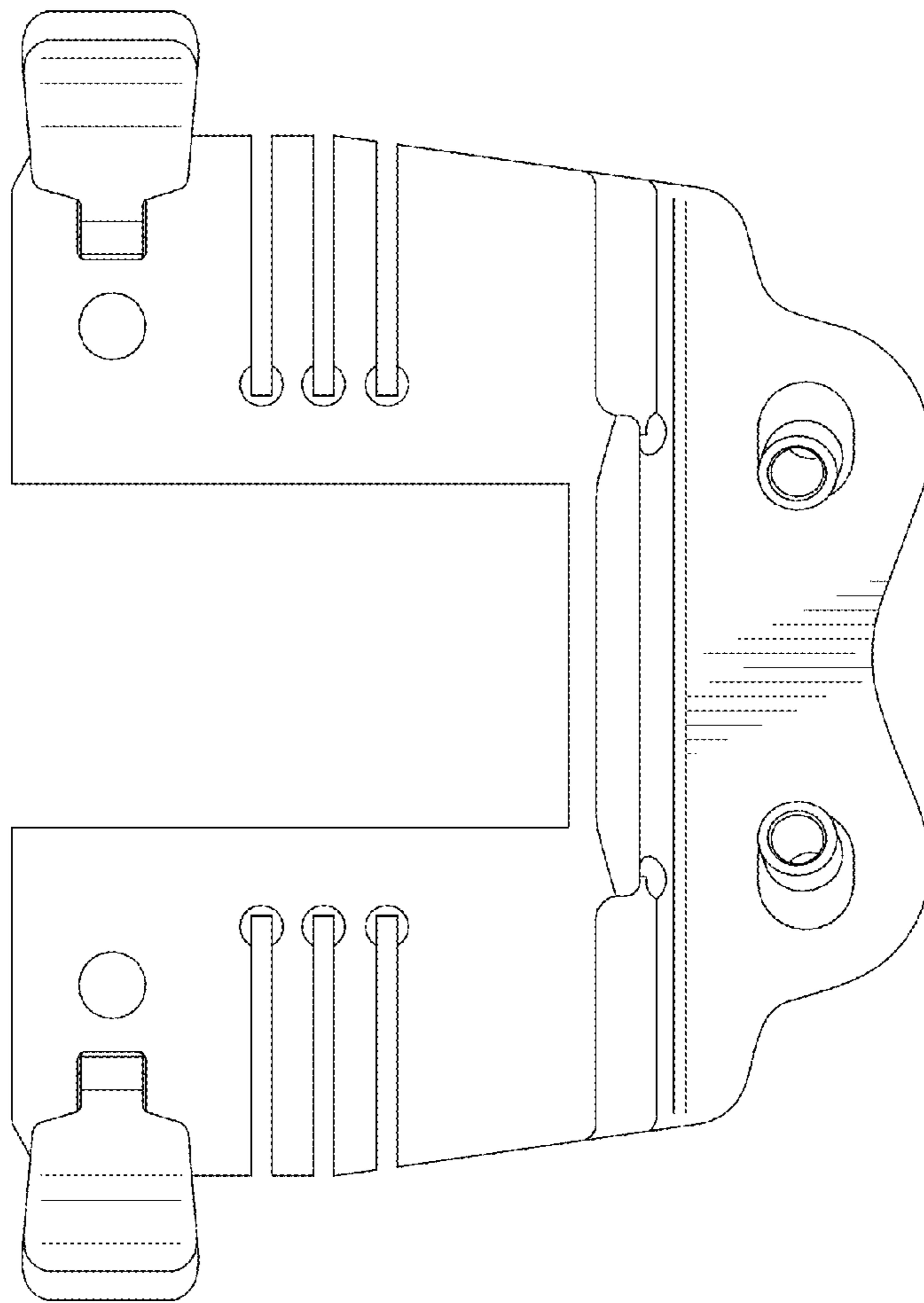


Fig. 3

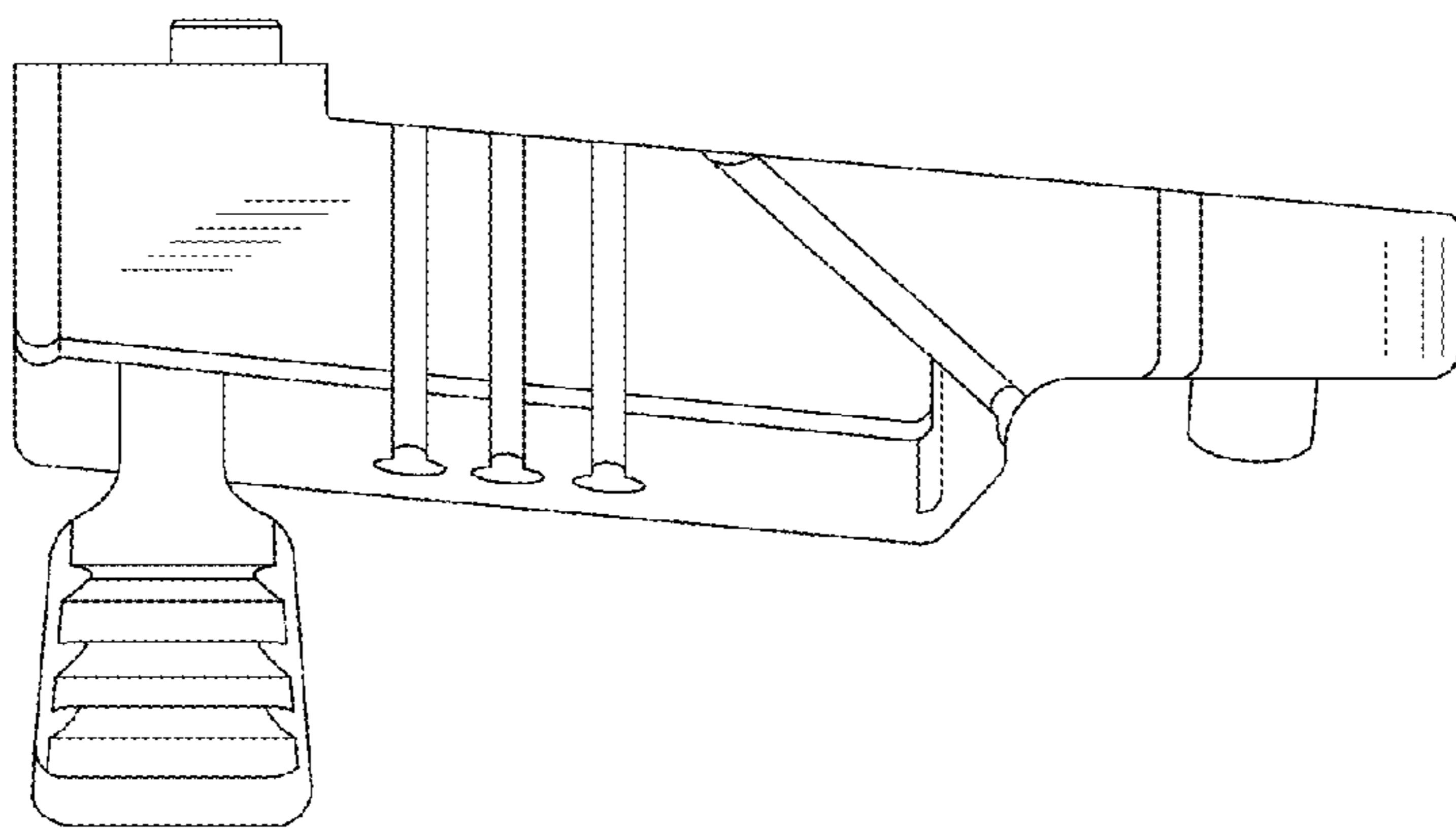


Fig. 5

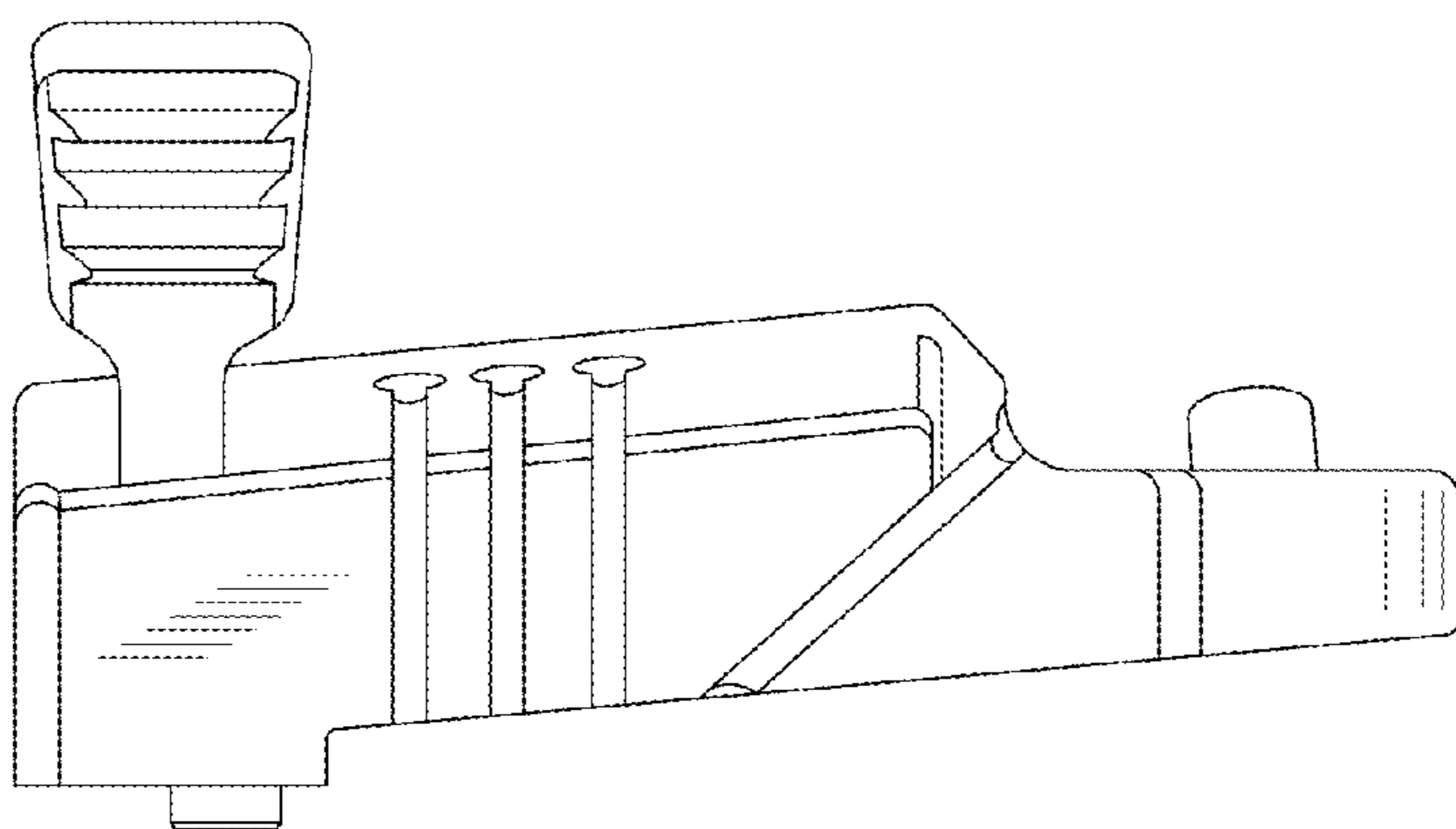


Fig. 4

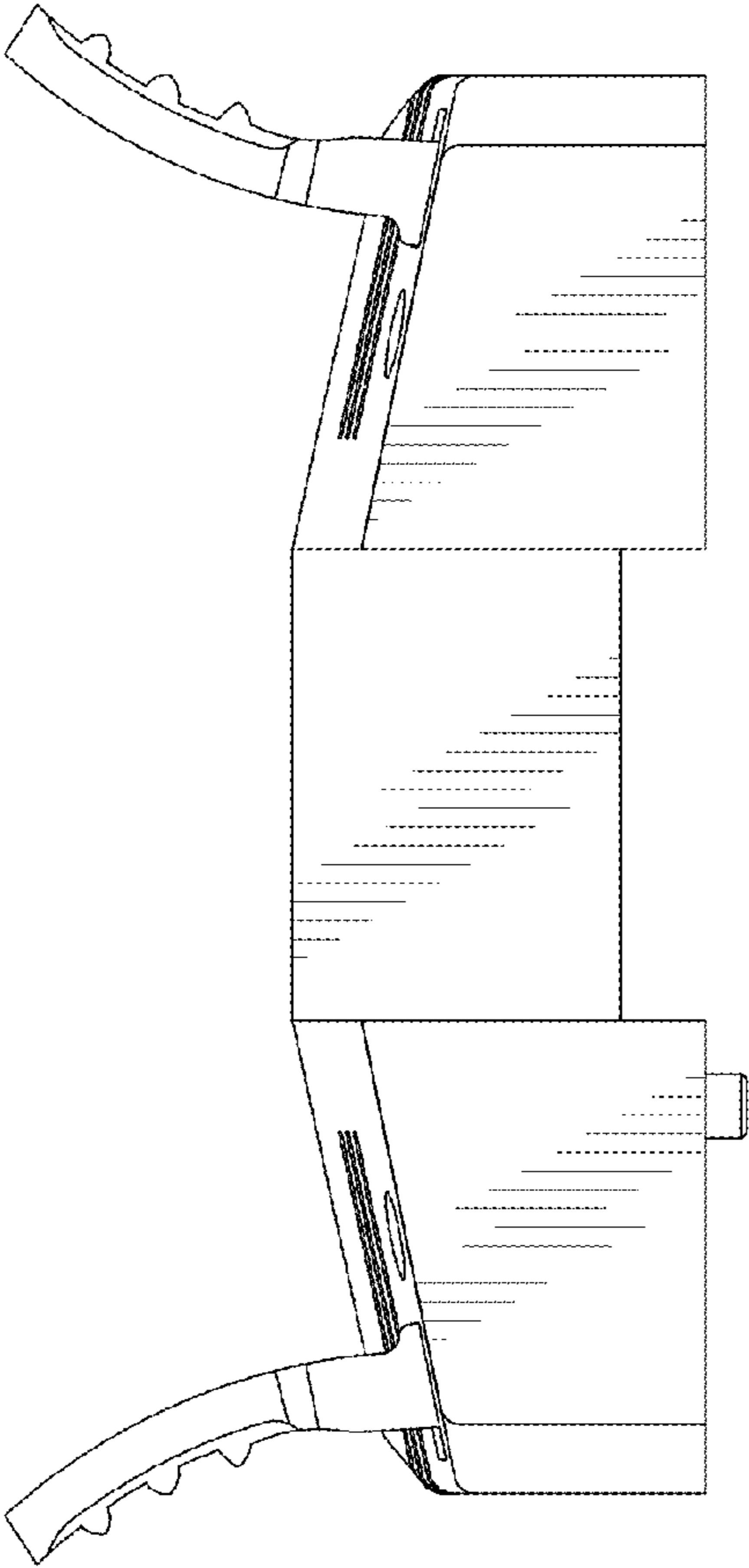


Fig. 6

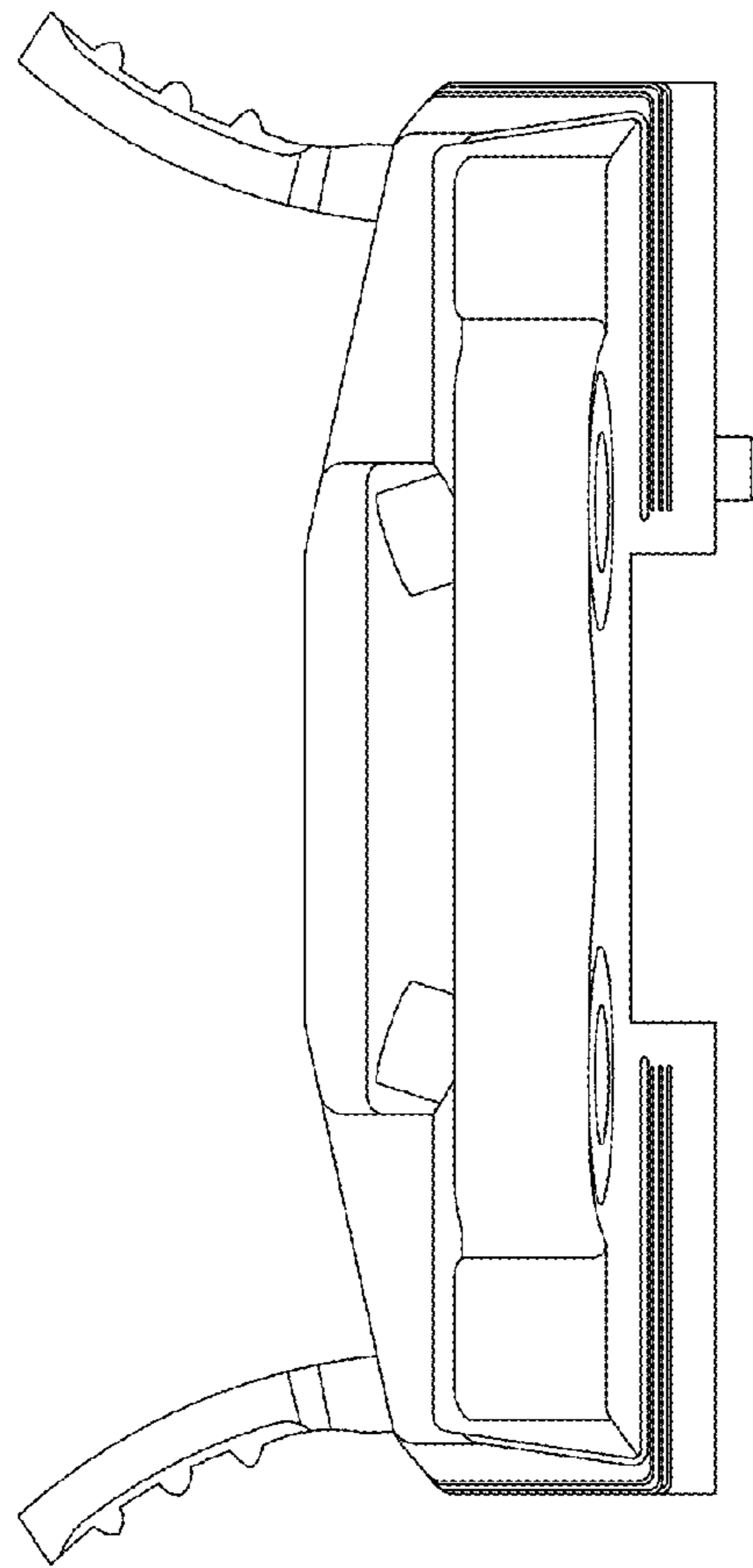


Fig. 7

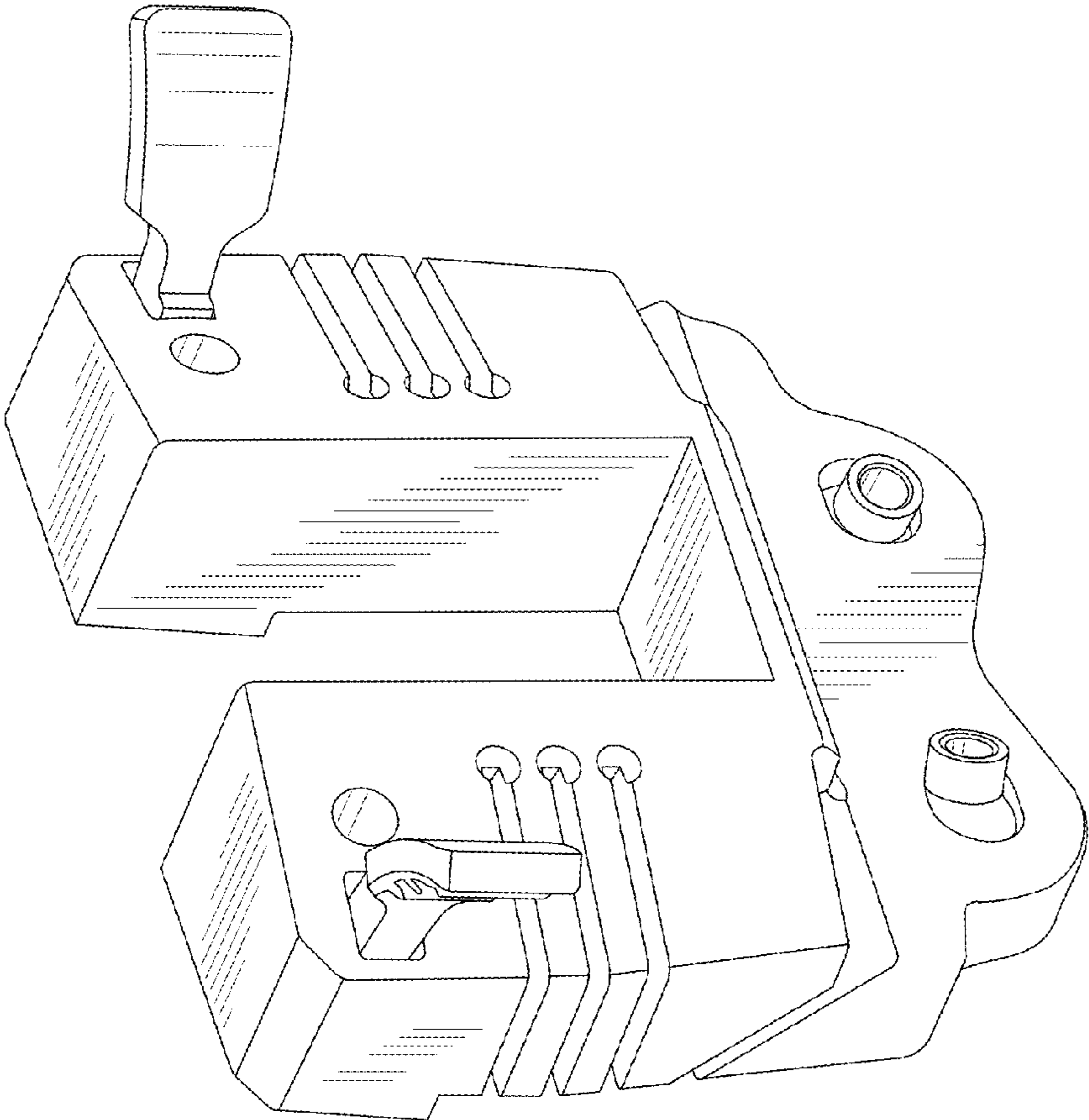


Fig. 8

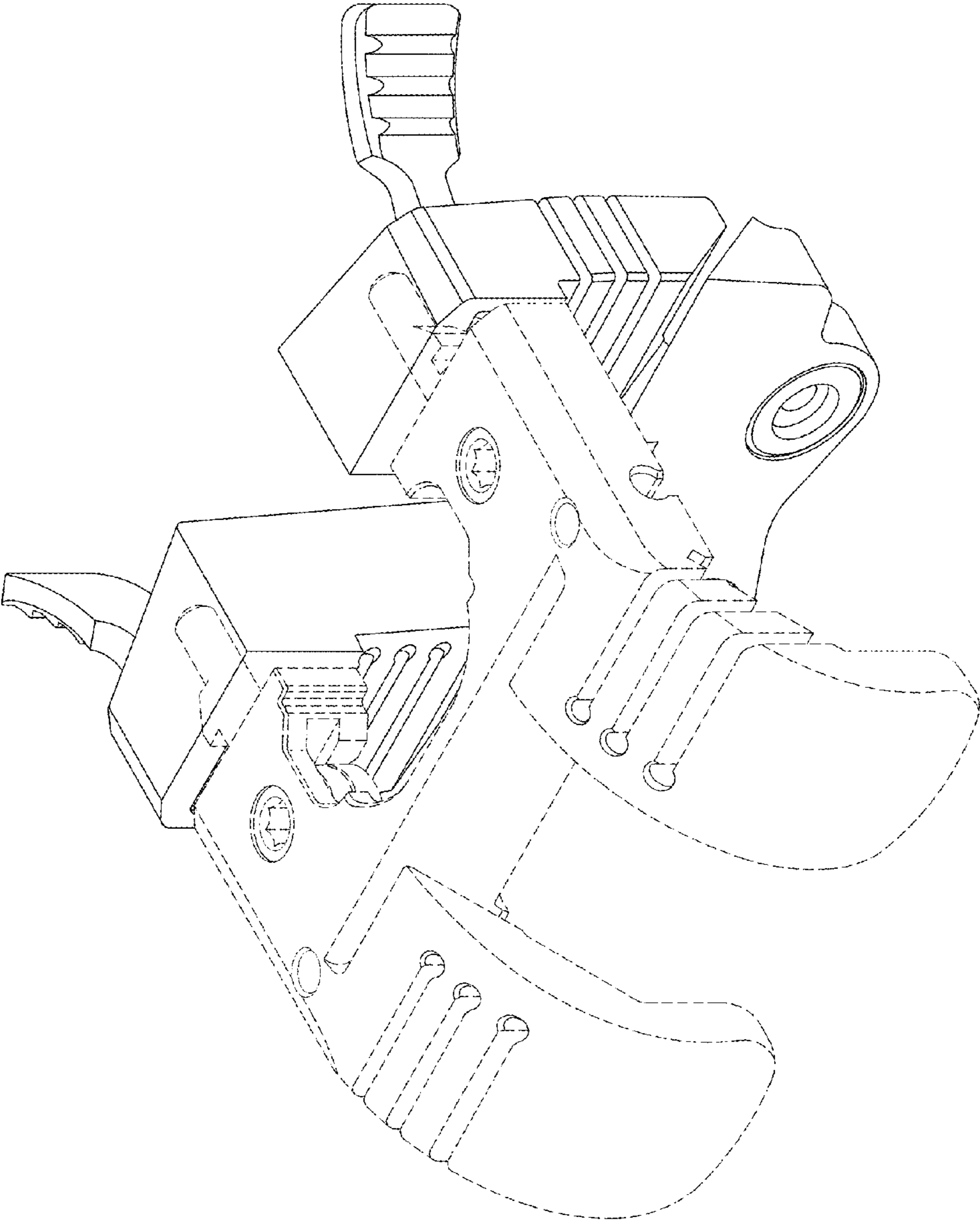


Fig. 9