



US00D724725S

(12) **United States Design Patent**
Chang

(10) **Patent No.:** **US D724,725 S**
(45) **Date of Patent:** **** Mar. 17, 2015**

(54) **VIDEO STYLET**

(71) Applicant: **Hui-Yu Chang**, Taipei (TW)

(72) Inventor: **Hui-Yu Chang**, Taipei (TW)

(**) Term: **14 Years**

(21) Appl. No.: **29/440,645**

(22) Filed: **Dec. 24, 2012**

(51) **LOC (10) Cl.** **24-01**

(52) **U.S. Cl.**
USPC **D24/133**

(58) **Field of Classification Search**
USPC D24/112, 110, 108, 119, 127, 133;
600/580, 581; 604/264, 104, 247;
128/207.14, 207.29, 207.15
See application file for complete search history.

(56) **References Cited**

U.S. PATENT DOCUMENTS

4,668,225	A *	5/1987	Russo et al.	604/270
D335,705	S *	5/1993	Buckberg et al.	D24/112
D567,367	S *	4/2008	Mongeon	D24/112
7,458,375	B2 *	12/2008	Schwartz et al.	128/207.14
7,458,955	B2 *	12/2008	Owens et al.	604/117
7,608,064	B2 *	10/2009	Putz	604/264

D627,460	S *	11/2010	Horton	D24/133
8,505,531	B2 *	8/2013	Pecherer et al.	128/200.26
D691,274	S *	10/2013	Buckels et al.	D24/133

* cited by examiner

Primary Examiner — Robert Delehanty
(74) *Attorney, Agent, or Firm* — Guice Patents PLLC

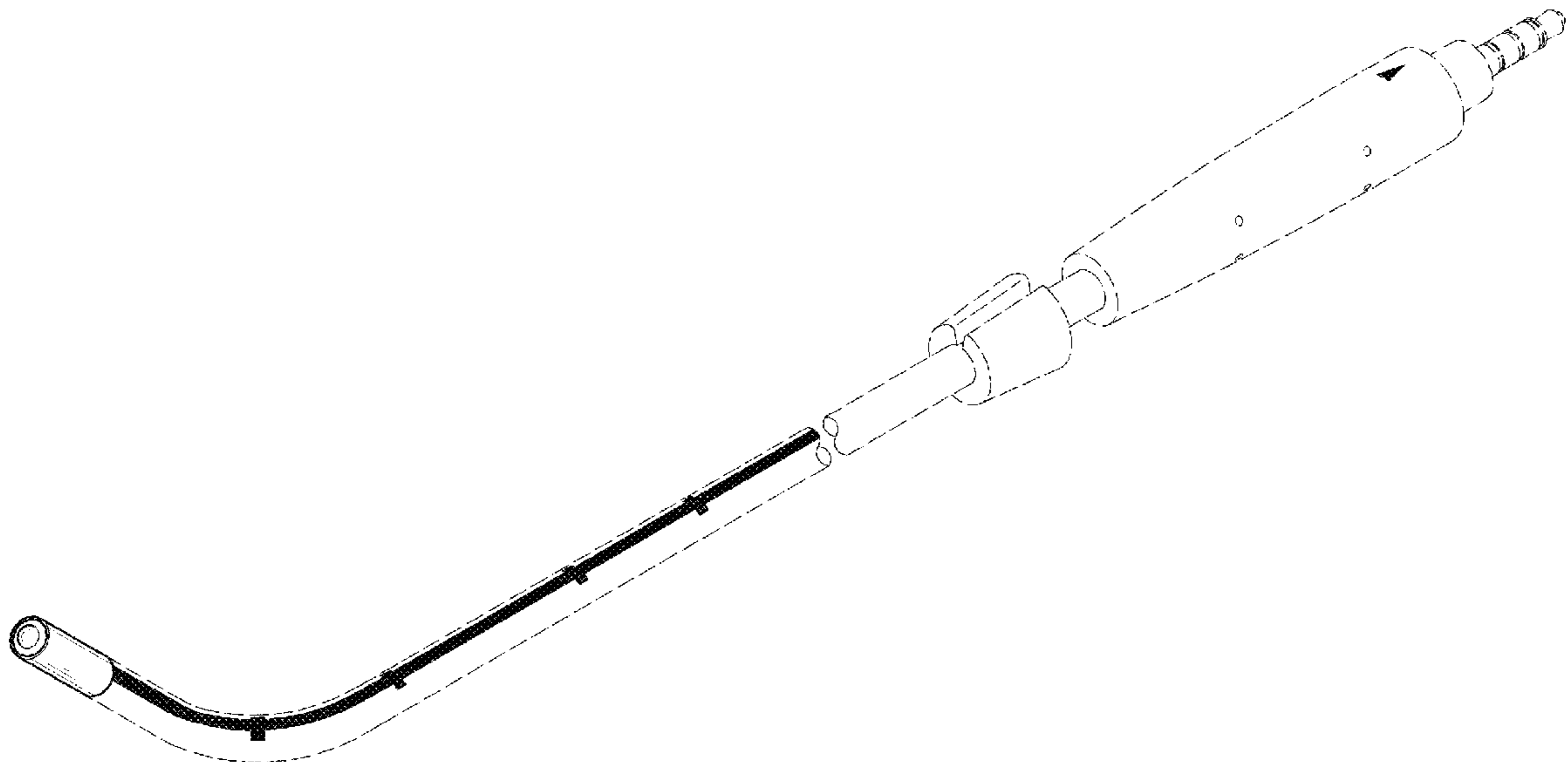
(57) **CLAIM**
The ornamental design for a video stylet, as shown and described.

DESCRIPTION

FIG. 1 is a perspective view showing my new design for a video stylet;
FIG. 2 is a front view thereof;
FIG. 3 is a rear view thereof;
FIG. 4 is a left view thereof;
FIG. 5 is a right view thereof;
FIG. 6 is a top view thereof;
FIG. 7 is a bottom view thereof; and,
FIG. 8 is another perspective view of the video stylet for intubation thereof.

The broken lines in FIGS. 1 to 7 are provided for showing the whole appearance of the video stylet that forms no part of the claimed design; and the broken lines in FIG. 8 is provided for the purpose of illustrating the use of the video stylet that forms no part of the claimed design.

1 Claim, 5 Drawing Sheets



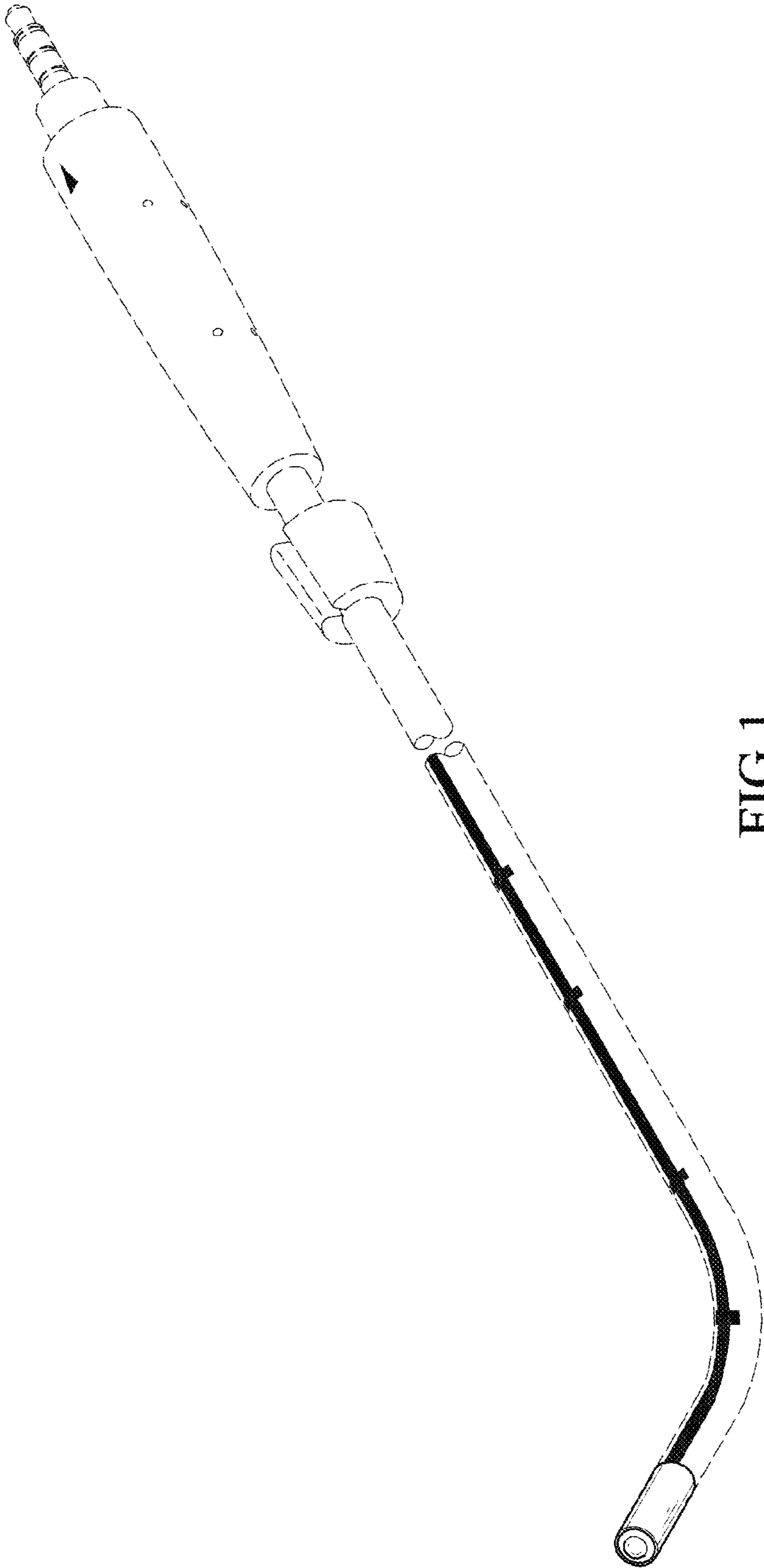


FIG. 1

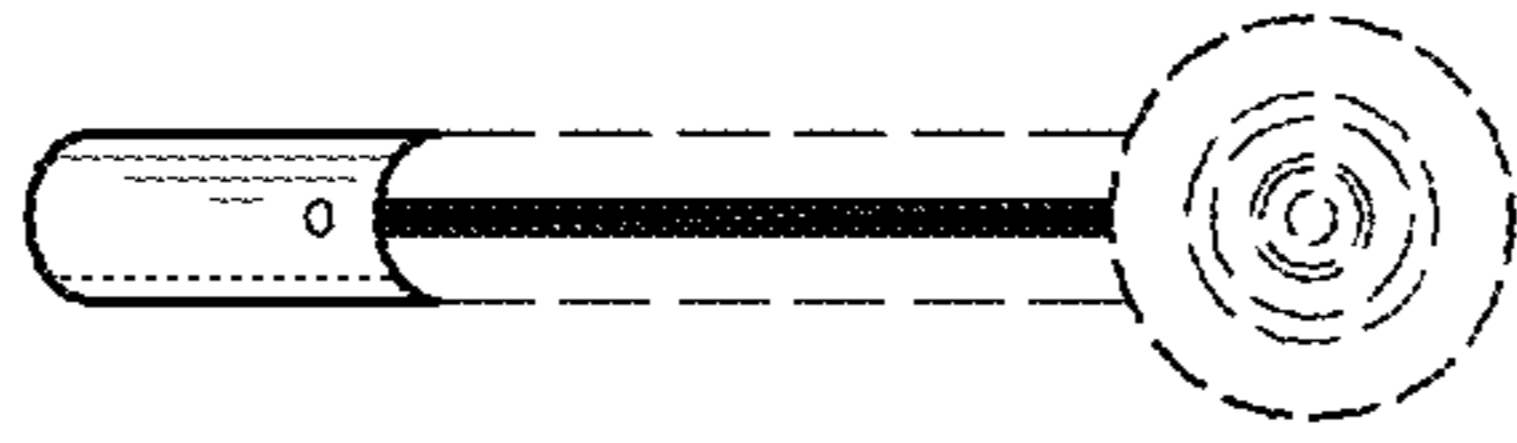


FIG.3

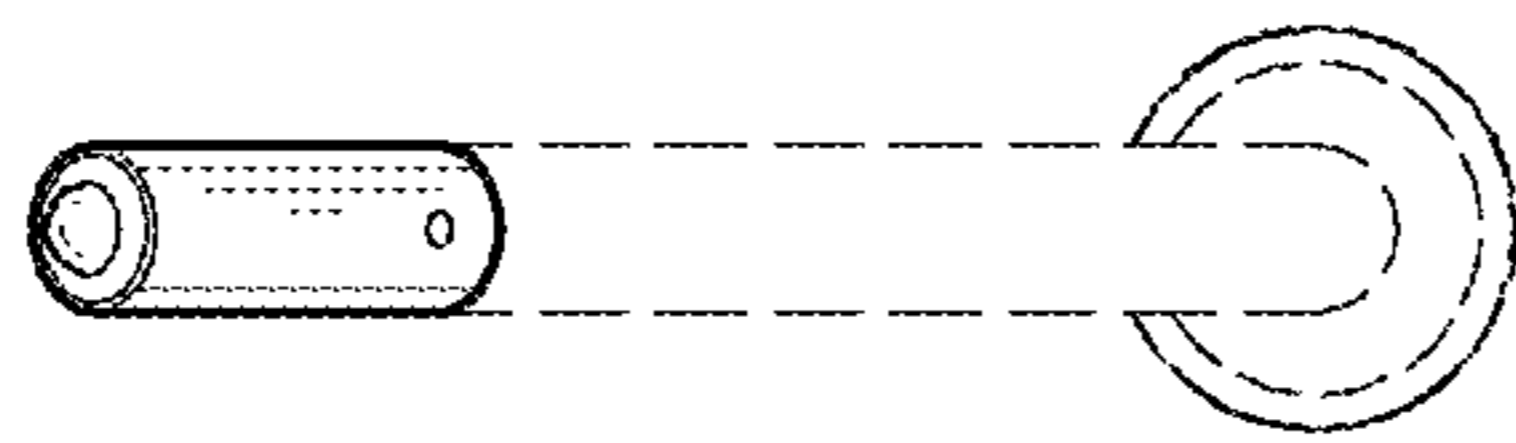


FIG.2

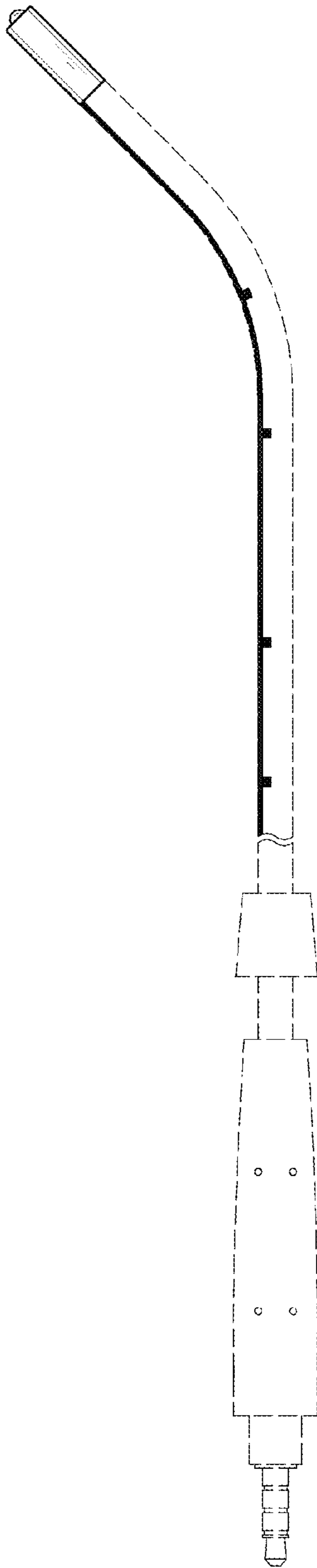


FIG. 4

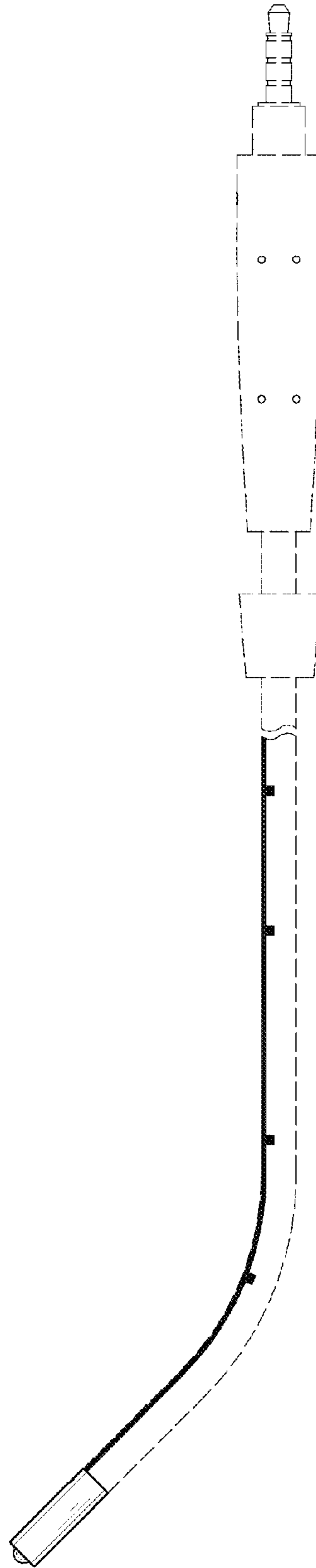


FIG. 5

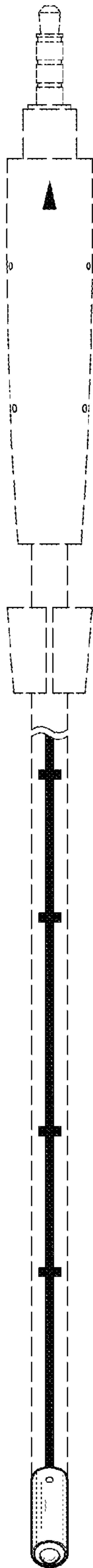


FIG. 6

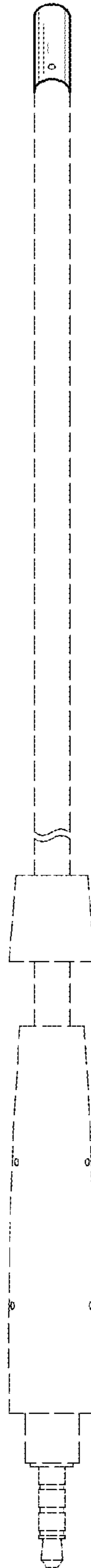


FIG. 7

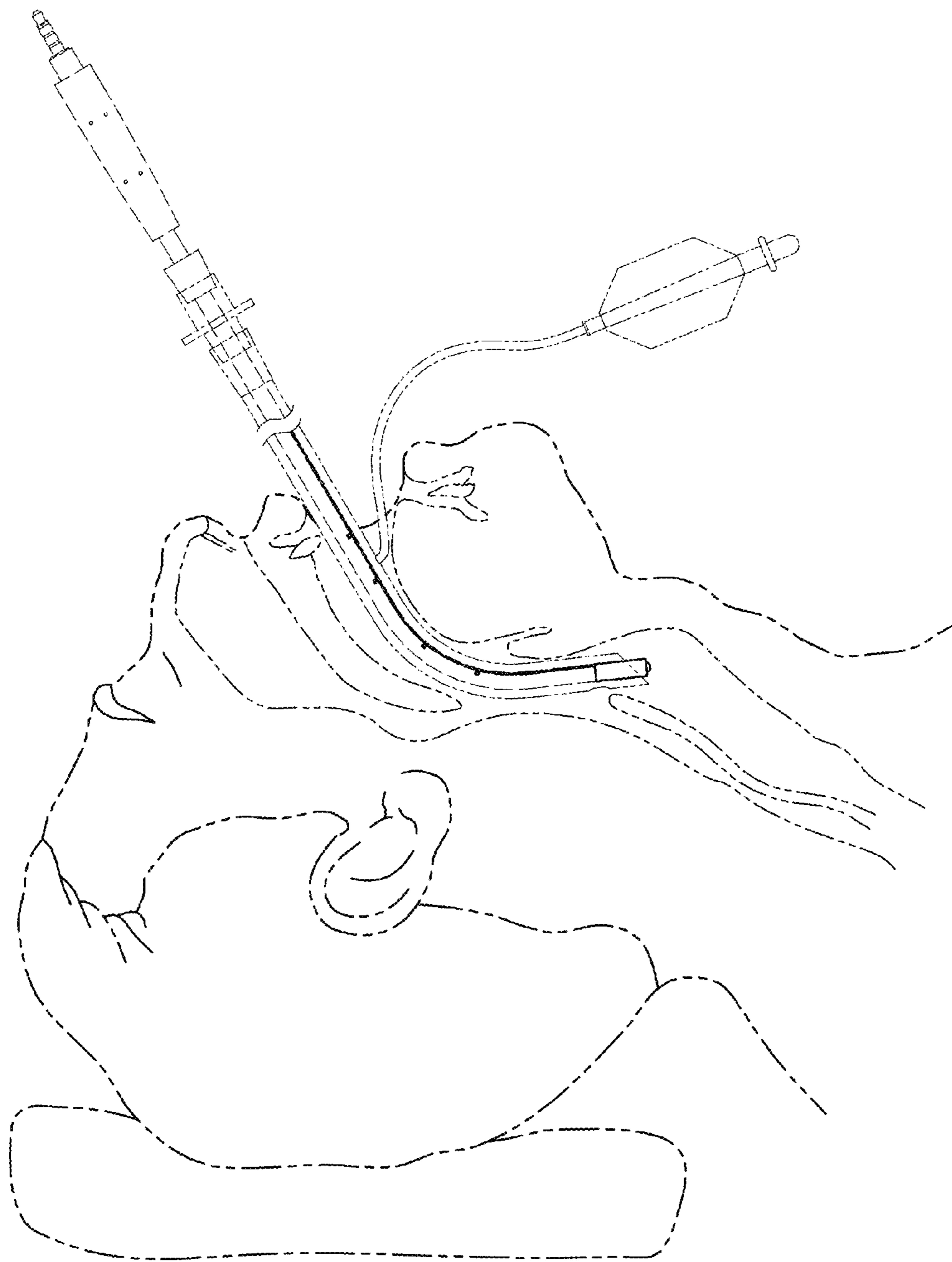


FIG.8