

US00D724724S

(12) **United States Design Patent**  
**McAtamney et al.**

(10) **Patent No.:** **US D724,724 S**  
(45) **Date of Patent:** **\*\* Mar. 17, 2015**

(54) **MEDICAL DEVICE HOUSING**

(75) Inventors: **Michael McAtamney**, Navan Co. Meath (IE); **Stephen Montgomery**, Virginia Co. Cavan (IE)

(73) Assignee: **Welch Allyn, Inc.**, Skaneateles Falls, NY (US)

(\*\*) Term: **14 Years**

(21) Appl. No.: **29/423,585**

(22) Filed: **Jun. 1, 2012**

(51) **LOC (10) Cl.** ..... **24-02**

(52) **U.S. Cl.**  
USPC ..... **D24/128**

(58) **Field of Classification Search**  
USPC ..... D24/127-130, 112-114; 604/263, 264, 604/162, 268, 164.08, 174-180; 128/DIG. 26; D8/354, 356, 355, 394; D6/552

See application file for complete search history.

(56) **References Cited**

**U.S. PATENT DOCUMENTS**

3,696,920	A *	10/1972	Lahay	.....	D24/128
D309,226	S *	7/1990	Wilcox	.....	D6/552
D336,131	S *	6/1993	Nordstrom et al.	.....	D24/128
D342,440	S *	12/1993	Forsberg	.....	D8/71
5,316,246	A *	5/1994	Scott et al.	.....	D24/128
D379,509	S *	5/1997	Macko	.....	D24/128
D392,142	S *	3/1998	Weisburn et al.	.....	D6/553
6,405,414	B1 *	6/2002	Byrnes et al.	.....	24/339
D478,738	S *	8/2003	Workman	.....	D6/552
D493,056	S *	7/2004	Shornak	.....	D6/552
D515,897	S *	2/2006	Greene	.....	D8/71
D657,869	S *	4/2012	Mammen	.....	D24/128
D699,477	S *	2/2014	Allen	.....	D6/552

**OTHER PUBLICATIONS**

WelchAllyn Products, 767 Integrated Wall Systems [online] [retrieved Apr. 13, 2012]. Retrieved from the Internet: <URL: http://www.welchallyn.com/apps/products/product\_category.jsp?catcode=EENT&subcatcode=EENT-767>. 1 page.  
(Untitled) Wall System, [online] [retrieved Jul. 5, 2012]. Retrieved from the Internet: <URL: http://www.mpsmedicalsupply.com/76792-M-Integrated-Wall-System.jpg>. 1 page.  
(Untitled) Wall System, [online] [retrieved Jul. 5, 2012]. Retrieved from the Internet: <URL: http://www.angelusmedical.com/images/767.JPG>. 1 page.

(Continued)

*Primary Examiner* — David Muller

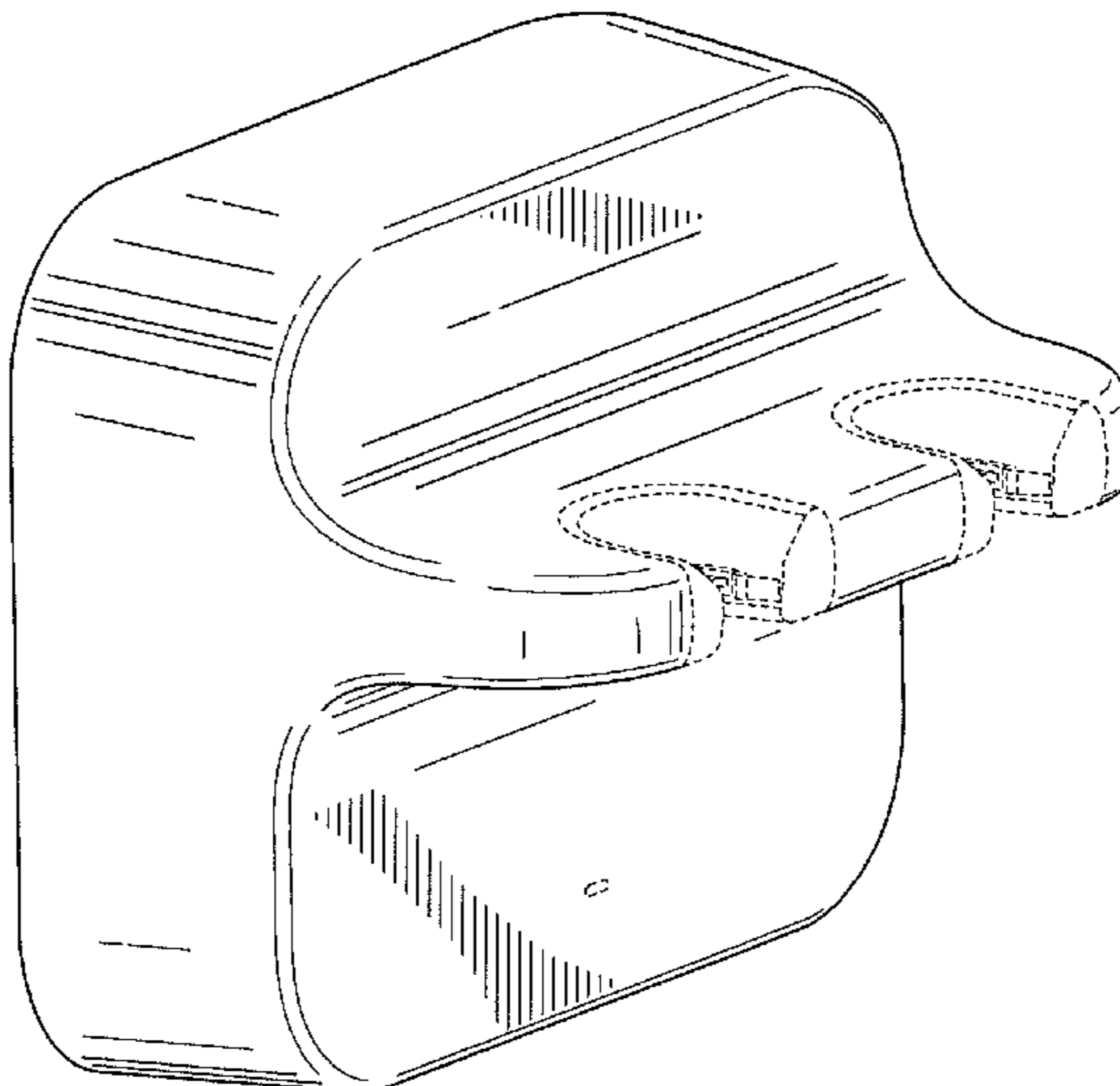
(57) **CLAIM**

The ornamental design for a medical device housing, as shown and described.

**DESCRIPTION**

FIG. 1 is a perspective view of a medical device housing showing my new design;  
FIG. 2 is a front elevation view thereof;  
FIG. 3 is a rear elevation view thereof;  
FIG. 4 is a top plan view thereof;  
FIG. 5 is a bottom plan view thereof;  
FIG. 6 is a left side elevation view thereof;  
FIG. 7 is a right side elevation view thereof; and,  
FIG. 8 is another perspective view thereof, shown in a position of use with two medical devices.  
Broken lines immediately adjacent shaded areas represent bounds of the claimed design. Broken lines of the medical devices of FIG. 8 are directed to environment. All other broken lines are directed to environment or unclaimed features. The broken lines form no part of the claimed design.  
The medical device housing may encompass a wall transformer for providing power to medical devices.

**1 Claim, 8 Drawing Sheets**



(56)

**References Cited**

OTHER PUBLICATIONS

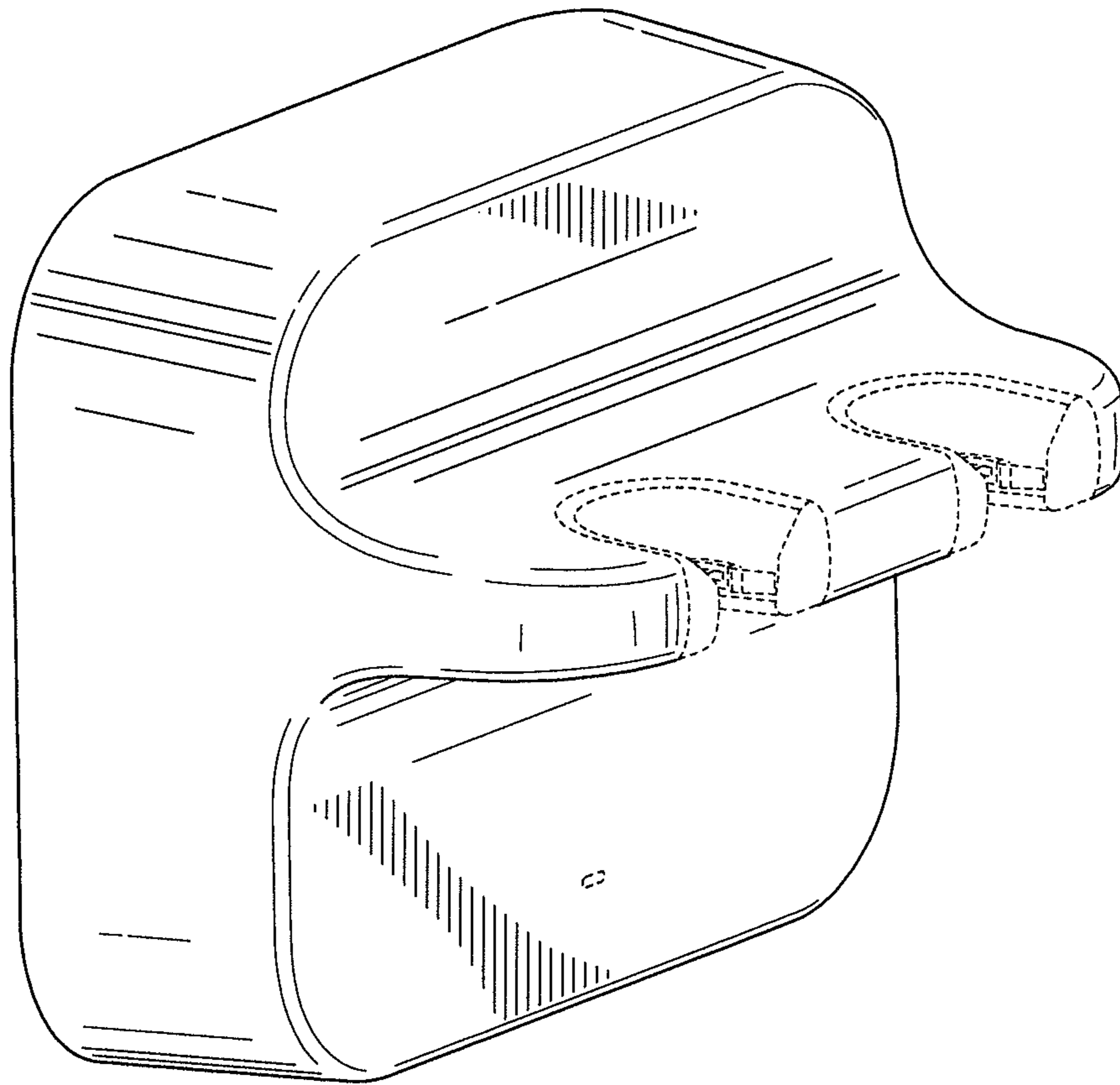
Welch\_Allyn\_Diagnostic\_Set\_Wall\_Set.jpg(1731x2433)  
[online] [retrieved Jul. 5, 2012]. Retrieved from the Internet: <URL: [http://www.mortonmedical.co.uk/images/Welch\\_Allyn\\_Diagnostic\\_Set\\_Elite\\_Wall\\_Set.jpg](http://www.mortonmedical.co.uk/images/Welch_Allyn_Diagnostic_Set_Elite_Wall_Set.jpg)>. 1 page.  
Connex® Integrated Wall System [online] [retrieved Apr. 13, 2012]. Retrieved from the Internet: <URL: <http://www.welchallyn.com/apps/products/product.jsp?id=19-te-114-1305728825045>>. 1 page.

(Untitled) Wall System, [online] [retrieved Jul. 5, 2012]. Retrieved from the Internet: <URL: [http://www.welchallyn.com/promotions/connex-evd/connex-iws/images/Header\\_CIWS.jpg](http://www.welchallyn.com/promotions/connex-evd/connex-iws/images/Header_CIWS.jpg)>. 1 page.

(Untitled) Wall System, [online] [retrieved Jul. 5, 2012]. Retrieved from the Internet: <URL: [http://www.reddingmedical.com/proding/Connex\\_84NTVXP-B.jpg](http://www.reddingmedical.com/proding/Connex_84NTVXP-B.jpg)>. 1 page.

(Untitled) Wall System, [online] [retrieved Jul. 5, 2012]. Retrieved from the Internet: <URL: <http://www.mohawkmedicalmall.com/Merchant2/graphics/00000001/connexwall-big.jpg>>. 1 page.

\* cited by examiner



**FIG. 1**

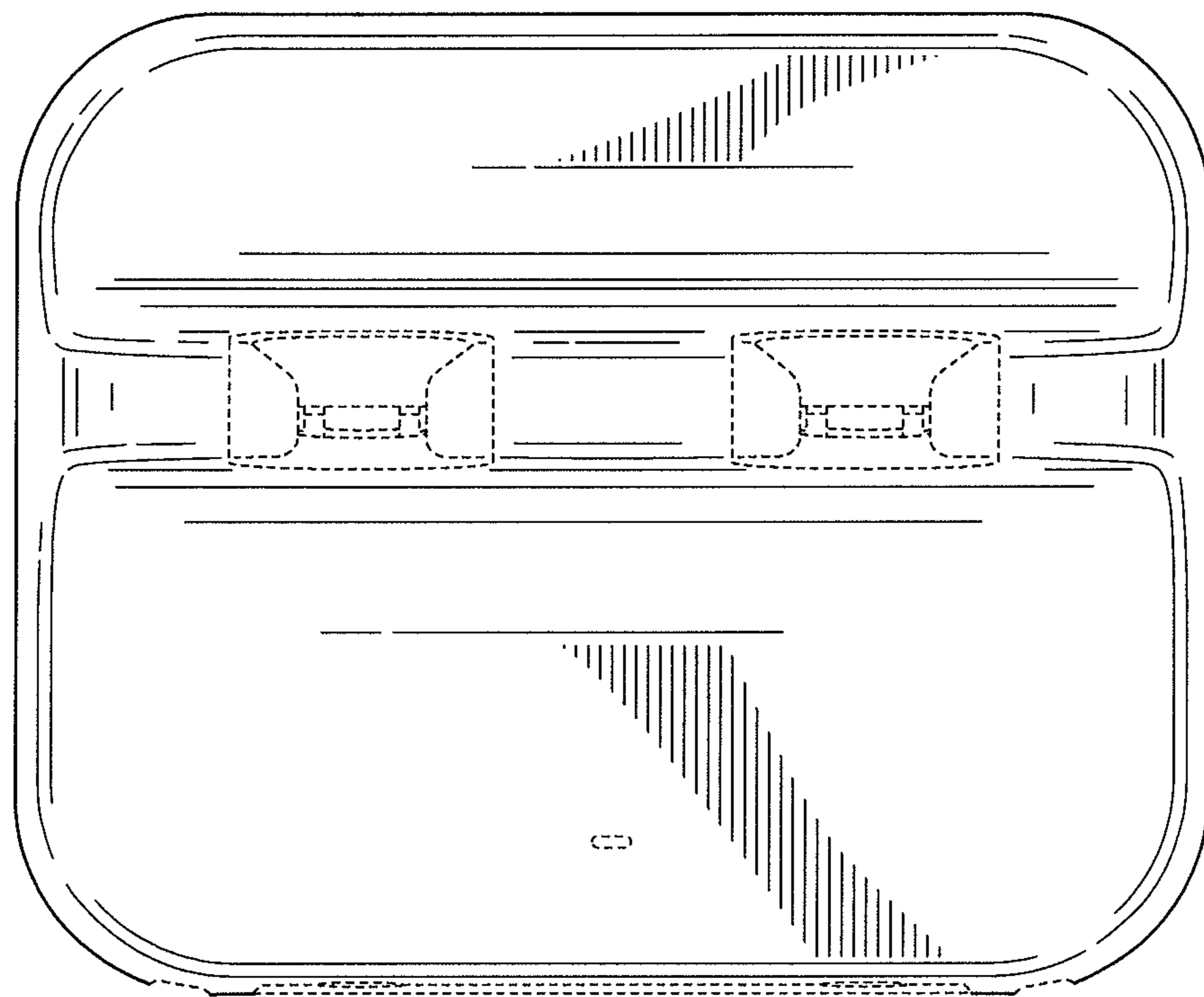
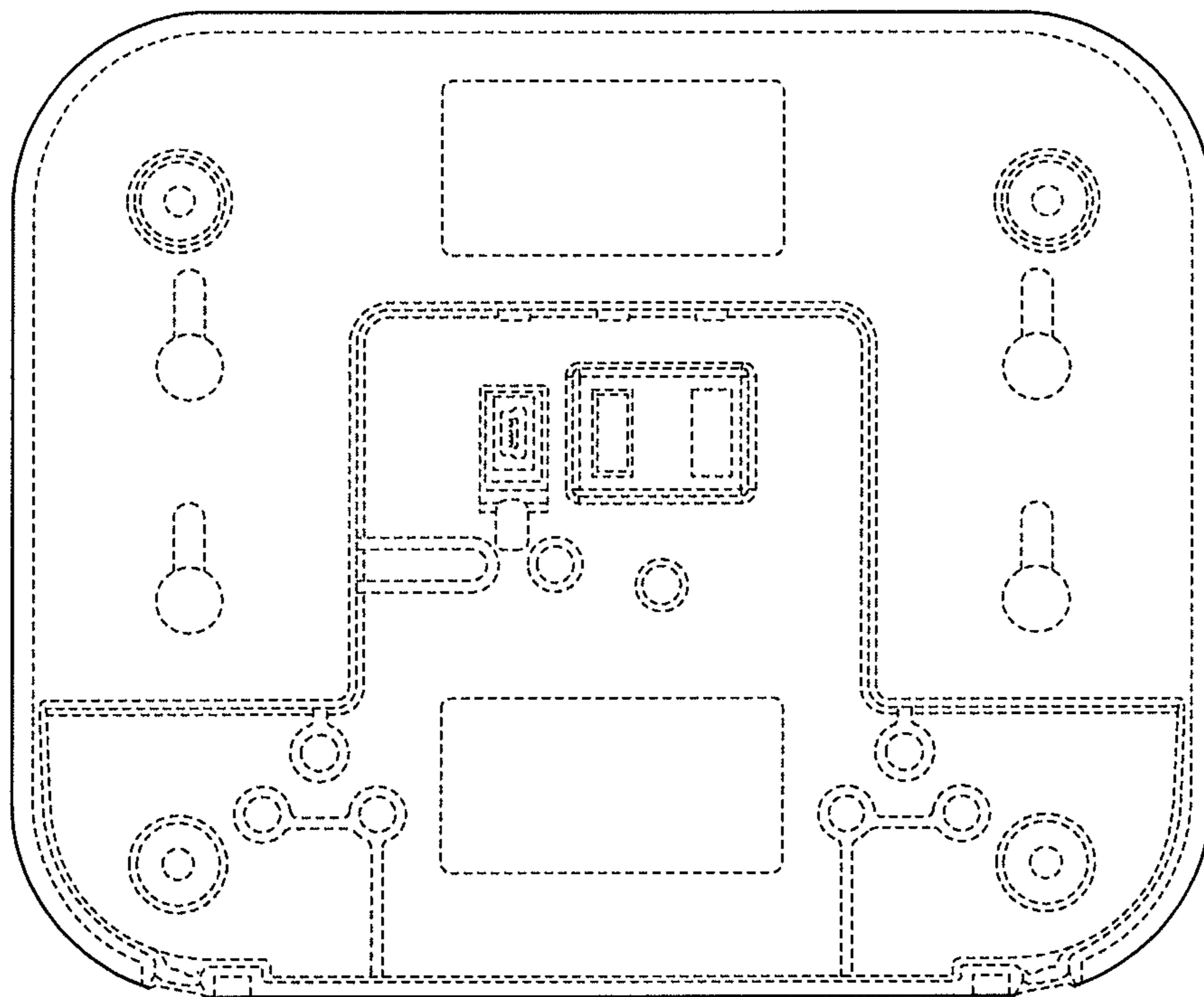
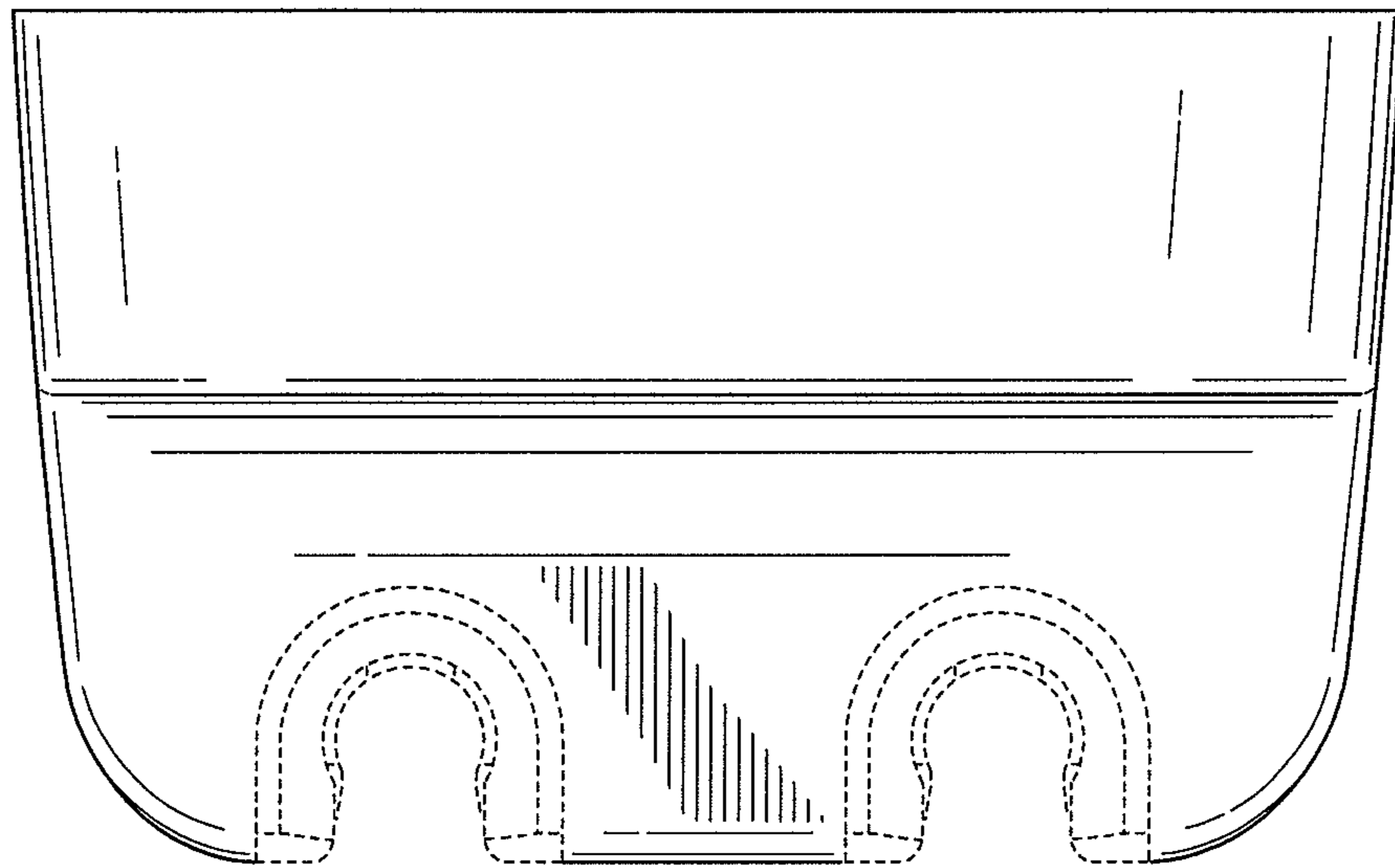


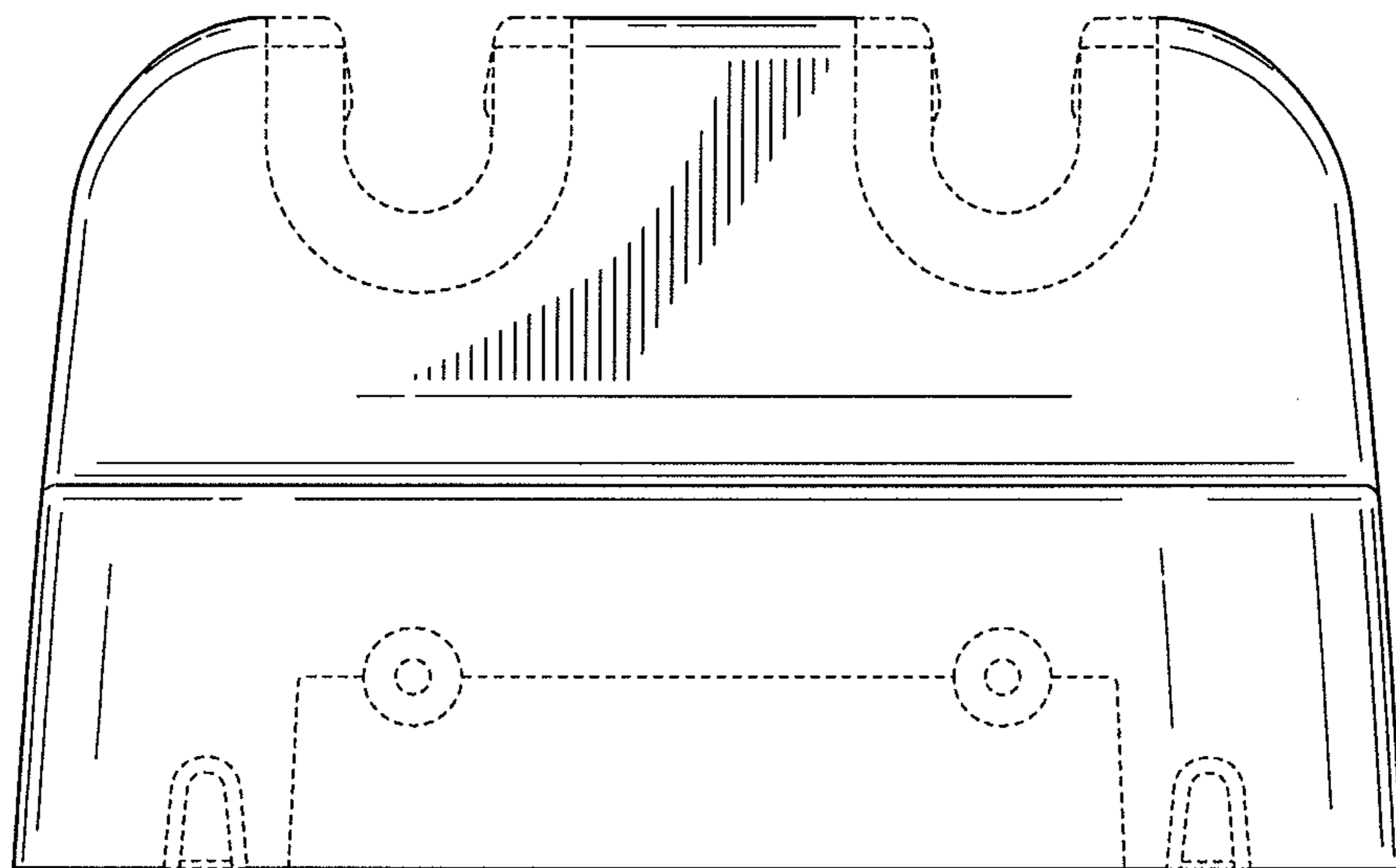
FIG. 2



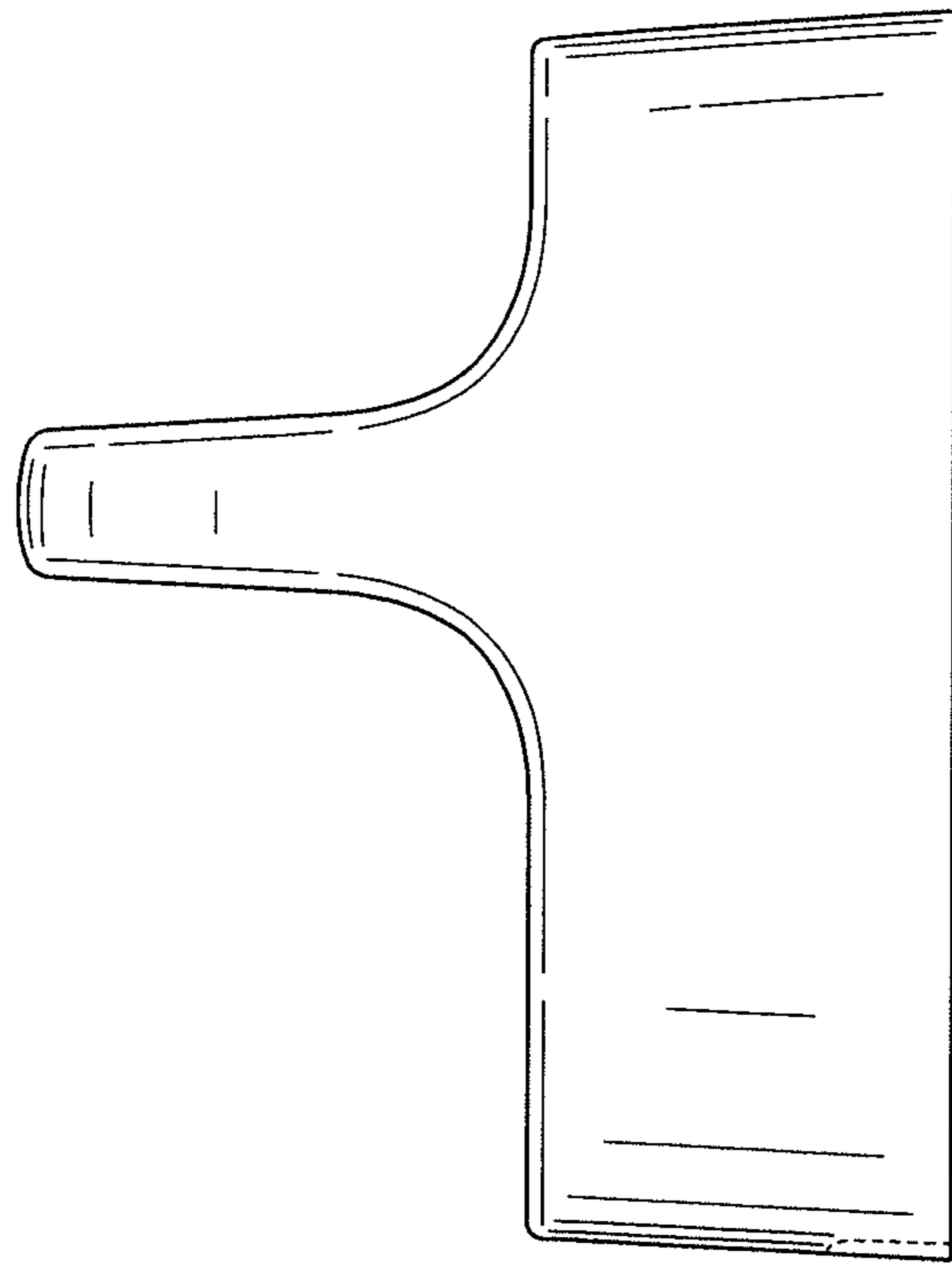
**FIG. 3**



**FIG. 4**

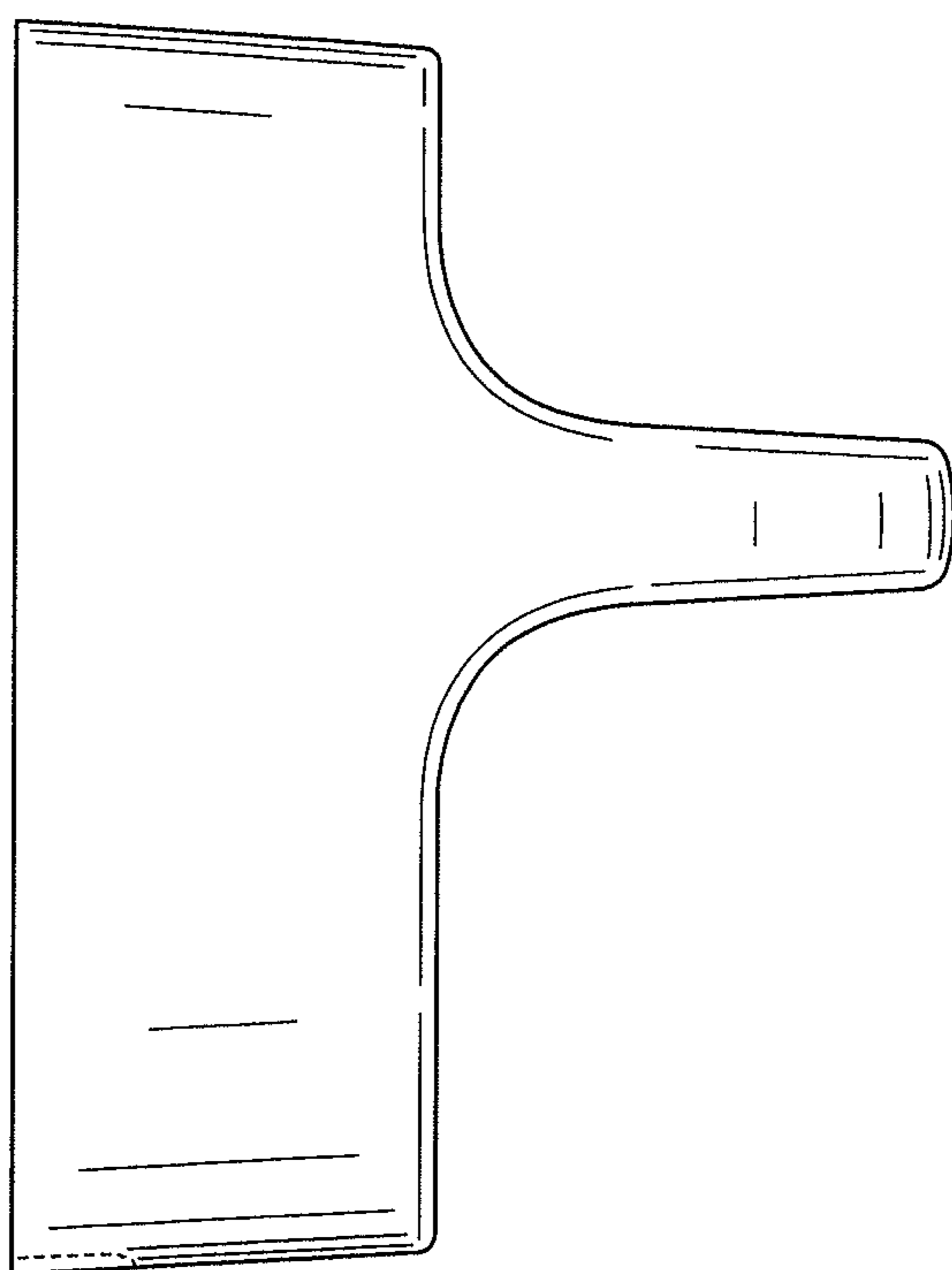


**FIG. 5**



**FIG. 6**





**FIG. 7**

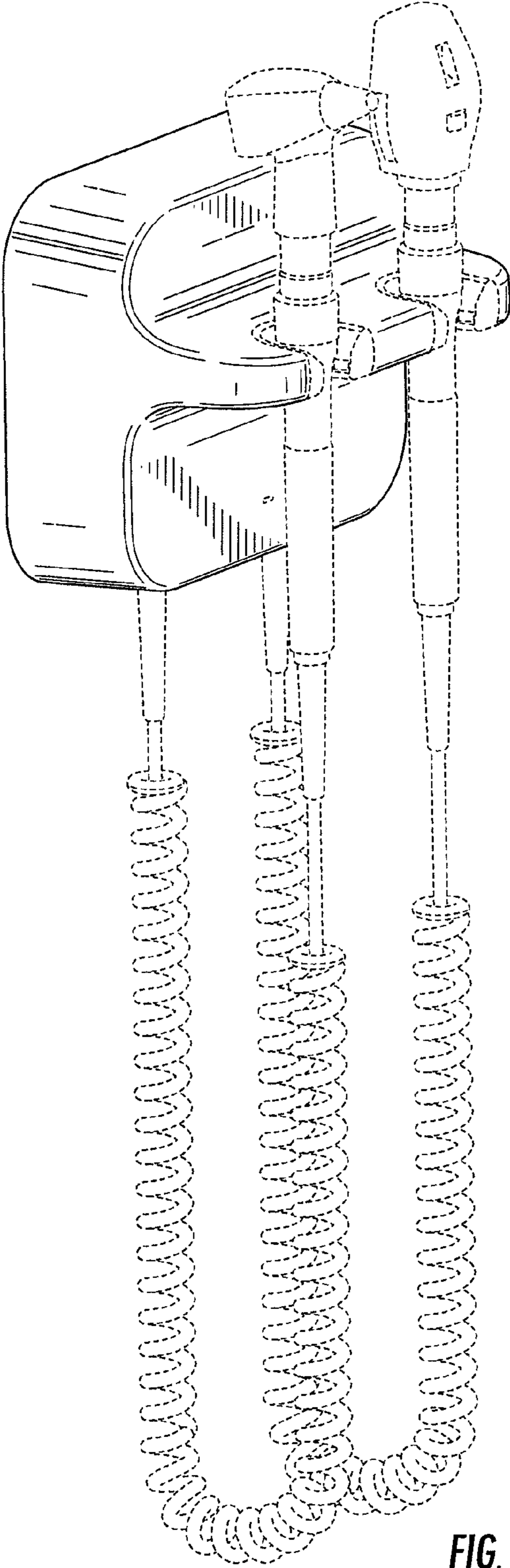


FIG. 8