



US00D724718S

(12) **United States Design Patent**  
**LaGratta**

(10) **Patent No.:** **US D724,718 S**  
(45) **Date of Patent:** **\*\* Mar. 17, 2015**

(54) **CYLINDRICAL TABLET HAVING SEPARABLE INTERLOCKING COMPONENTS**

(71) Applicant: **John F. LaGratta**, New York, NY (US)

(72) Inventor: **John F. LaGratta**, New York, NY (US)

(73) Assignee: **John F. LaGratta**, New York, NY (US)

(\*\*) Term: **14 Years**

(21) Appl. No.: **29/468,636**

(22) Filed: **Oct. 1, 2013**

(51) **LOC (10) Cl.** ..... **24-01**

(52) **U.S. Cl.**  
USPC ..... **D24/101**

(58) **Field of Classification Search**  
USPC ..... D24/100–104; D1/100, 127, 130;  
D23/207, 208; 604/287, 288, 403;  
206/1.5, 528, 530–539; 424/10.2, 10.3,  
424/408, 438, 439, 451, 472, 473, 475,  
424/453–456, 464–469

See application file for complete search history.

(56) **References Cited**

U.S. PATENT DOCUMENTS

1,855,145 A 4/1932 Jones  
3,892,867 A 7/1975 Schoonman

(Continued)

FOREIGN PATENT DOCUMENTS

CA 02300018 8/2000  
EP 0288149 3/1988

(Continued)

OTHER PUBLICATIONS

C1: “Candy Lego.” (Publication date: Date Unknown) Economy Candy. Retrieved Oct. 29, 2013 from [http://www.economycandy.com/index.php?dispatch=products.view&product\\_id=1568](http://www.economycandy.com/index.php?dispatch=products.view&product_id=1568).

(Continued)

*Primary Examiner* — Ian Simmons  
*Assistant Examiner* — Charles Hanson  
(74) *Attorney, Agent, or Firm* — Proskauer Rose LLP

(57) **CLAIM**

The ornamental design for a cylindrical tablet having separable interlocking components, as shown and described.

**DESCRIPTION**

FIG. 1 is a perspective view of a cylindrical tablet having separable interlocking components, according to my new design.

FIG. 2 is a front view of my cylindrical tablet having separable interlocking components.

FIG. 3 is a back view of my cylindrical tablet having separable interlocking components.

FIG. 4 is a right side view of my cylindrical tablet having separable interlocking components.

FIG. 5 is a left side view of my cylindrical tablet having separable interlocking components.

FIG. 6 is a top view of my cylindrical tablet having separable interlocking components.

FIG. 7 is a bottom view of my cylindrical tablet having separable interlocking components.

FIG. 8 is a separated perspective view of my cylindrical tablet having separable interlocking components.

FIG. 9 is another separated perspective view of my cylindrical tablet having separable interlocking components.

FIG. 10 is a separated right side view of my cylindrical tablet having separable interlocking components.

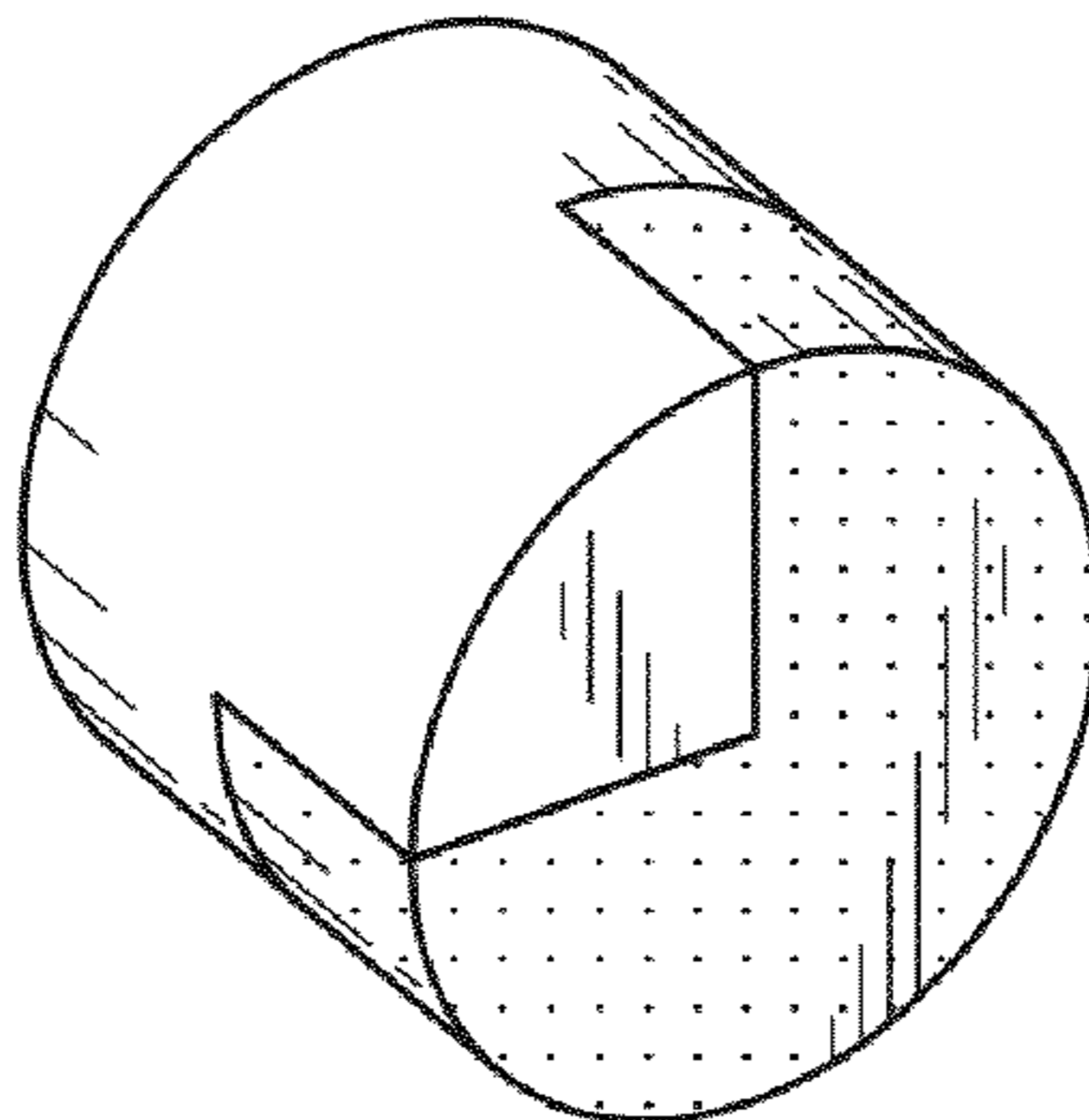
FIG. 11 is a separated left side view of my cylindrical tablet having separable interlocking components.

FIG. 12 is a separated top view of my cylindrical tablet having separable interlocking components.

FIG. 13 is a separated bottom view of my cylindrical tablet having separable interlocking components; and,

FIG. 14 is a perspective view of my cylindrical tablet having separable interlocking components in a stacked arrangement. The broken lines shown in FIG. 14 are included to illustrate environment and do not form part of the claimed design. The dot shading is provided to distinguishing between the two interlocking components.

**1 Claim, 3 Drawing Sheets**



(56)

**References Cited**

U.S. PATENT DOCUMENTS

4,578,207	A *	3/1986	Holdt et al. ....	510/192
4,683,072	A *	7/1987	Holdt et al. ....	510/192
4,755,180	A *	7/1988	Ayer et al. ....	604/892.1
4,975,295	A	12/1990	Sierra	
D335,704	S *	5/1993	Casberg .....	D24/101
D431,320	S *	9/2000	Beaujean .....	D28/8.1
6,808,727	B2	10/2004	Kemeny	
D640,366	S *	6/2011	Olsen .....	D24/101
8,545,883	B2 *	10/2013	Colombo et al. ....	424/464
2014/0170079	A1 *	6/2014	Arkenau Maric et al. ...	424/10.3

FOREIGN PATENT DOCUMENTS

EP		0421541	10/1990
EP		1413624	4/2004

OTHER PUBLICATIONS

C2: "Cookie Press-Fit Construction Kit," (Publication date: Date Unknown) Massachusetts Institute of Technology. Retrieved Oct. 29, 2013 from <http://fab.cba.mit.edu/classes/863.11/people/janice.wang/MAS863,11Site/Press-Fit.html>.

C3: "Designer Diabetes," (Jan. 27, 2011) The Exfoliator. Retrieved Oct. 29, 2013 from [http://www.theexfoliator.com/2011\\_01\\_01\\_archive.html](http://www.theexfoliator.com/2011_01_01_archive.html).

C4: "Interlocking Rings," (Publication date: Date Unknown) Sandscripts. Retrieved Oct. 29, 2013 from [http://www.sandscripts.com/catalog/wedding/gif/interlocking\\_rings.jpg](http://www.sandscripts.com/catalog/wedding/gif/interlocking_rings.jpg).

C5: "Sugar Cubes," (Publication date: Date Unknown) Anderson Ranch Arts Center. Retrieved Oct. 29, 2013 from <http://www.andersonranch.org/blog/wp-content/uploads/2011/04/SugarCubes.jpg>.

\* cited by examiner

FIG. 1

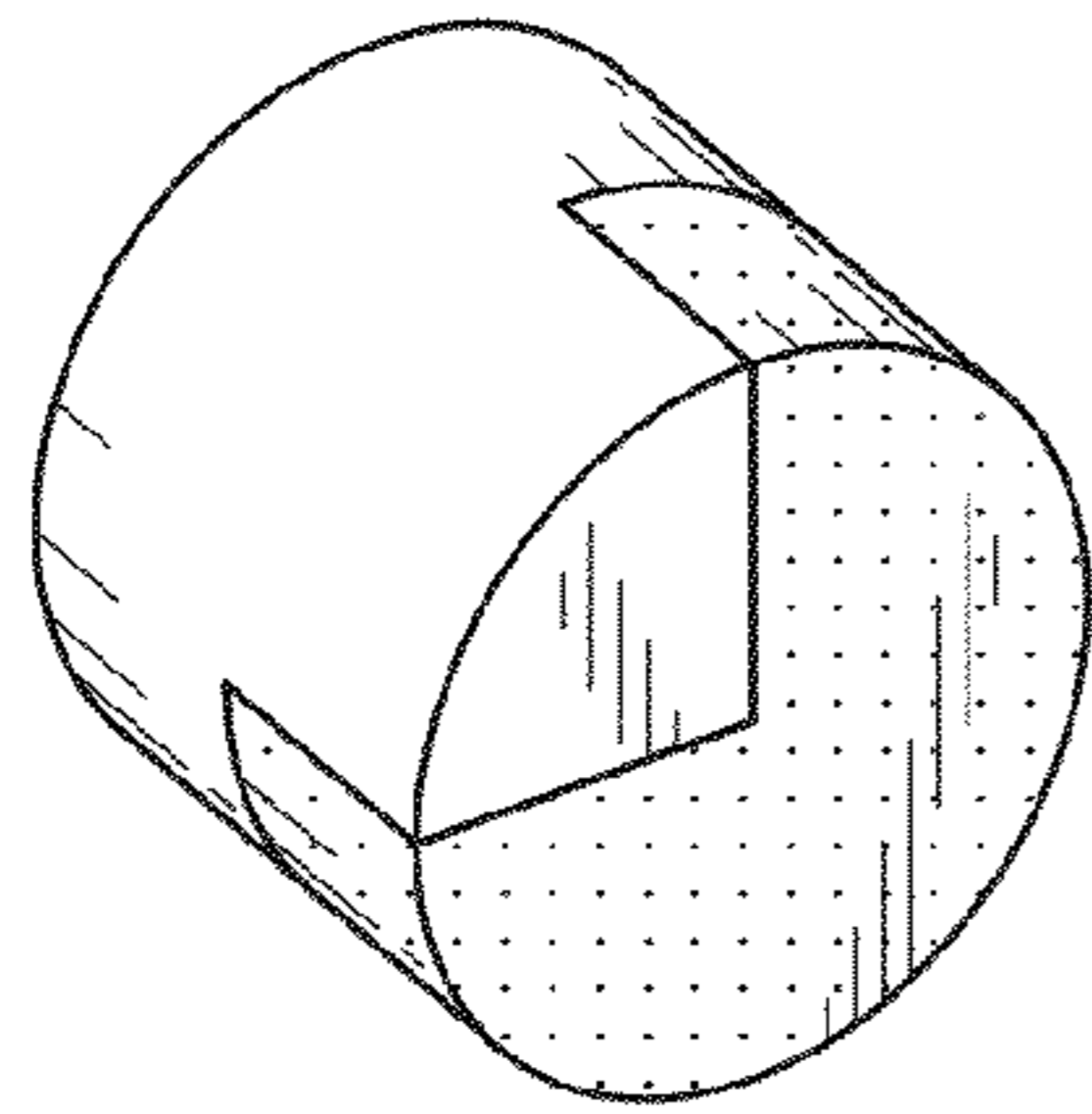


FIG. 2

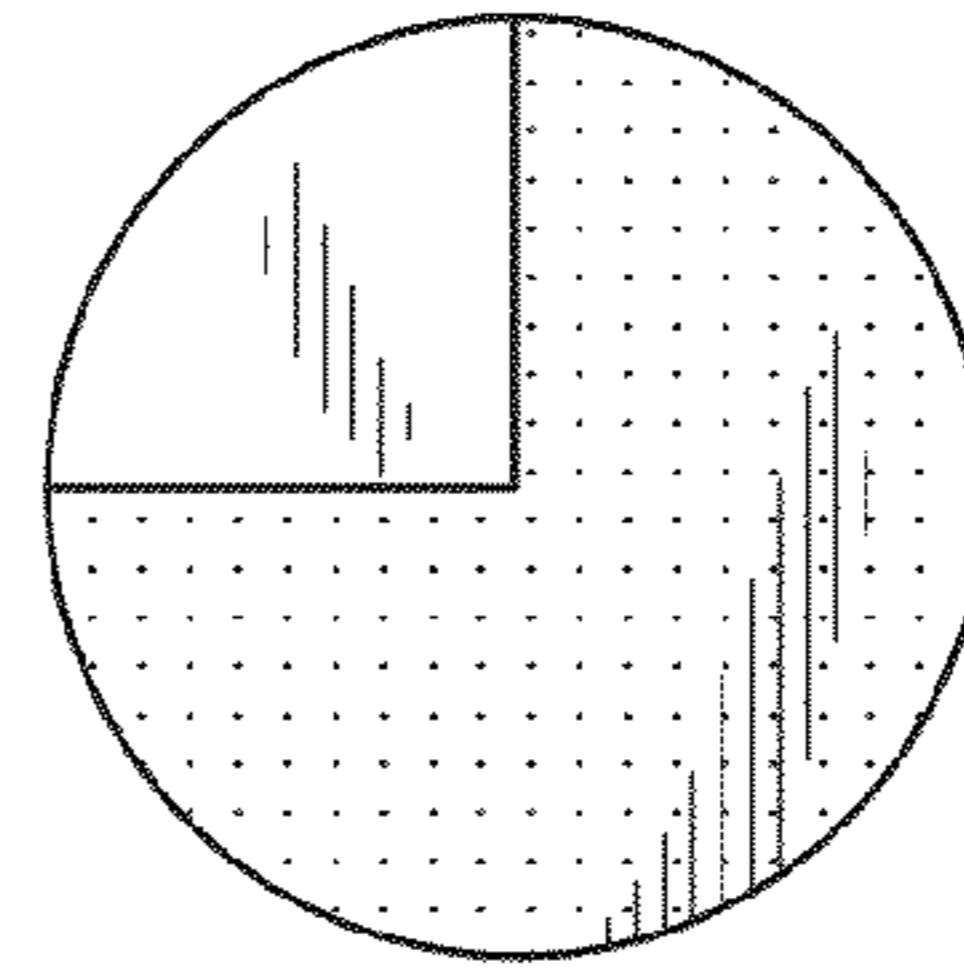


FIG. 3

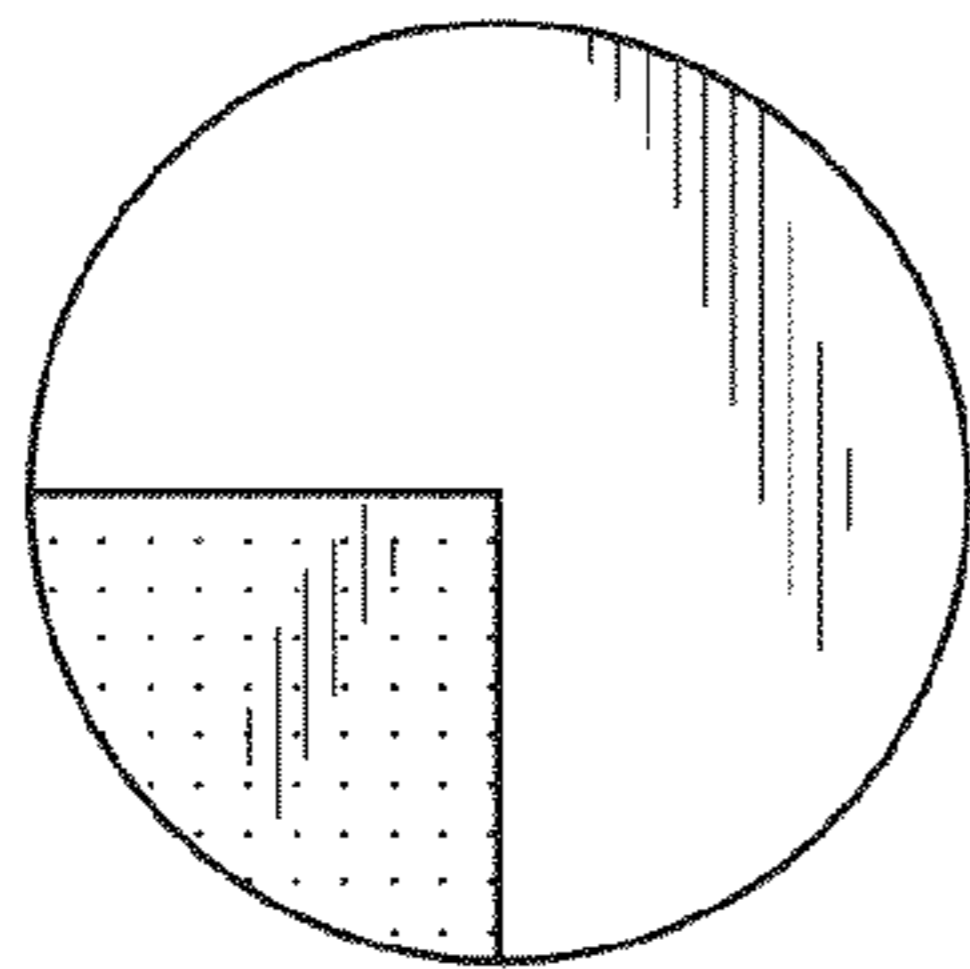


FIG. 4

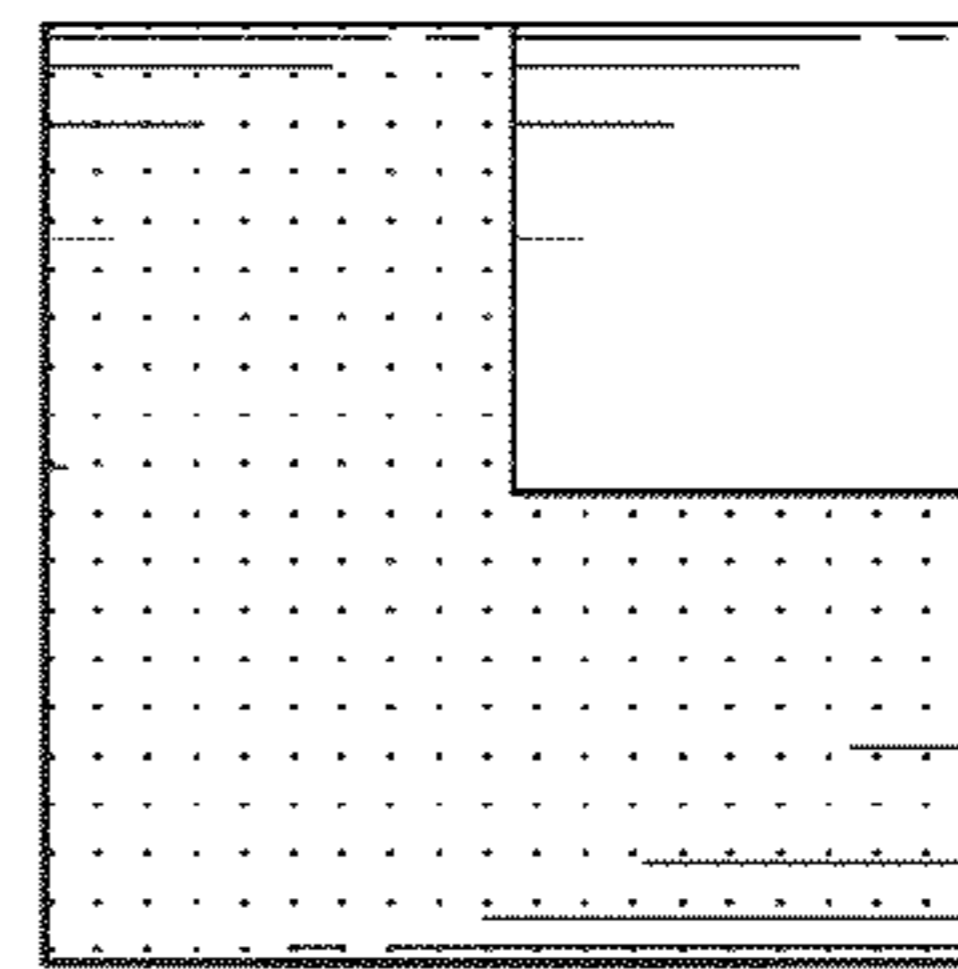


FIG. 5

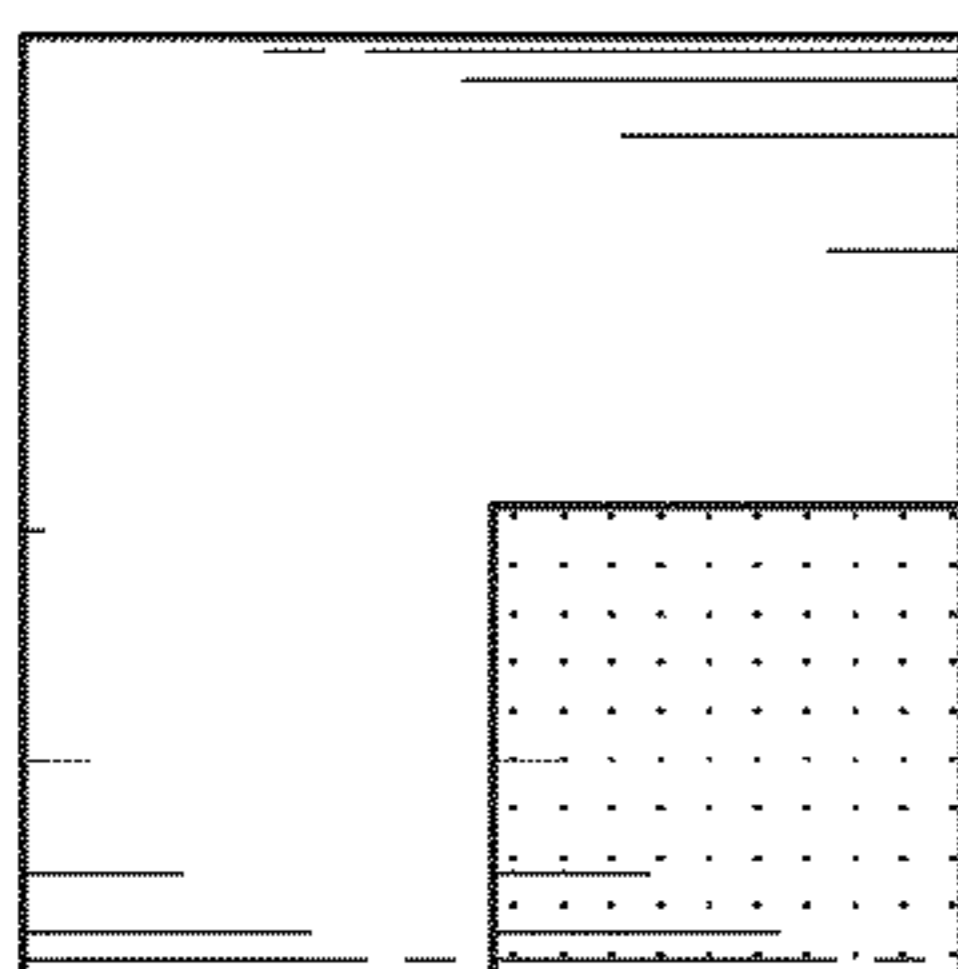


FIG. 6

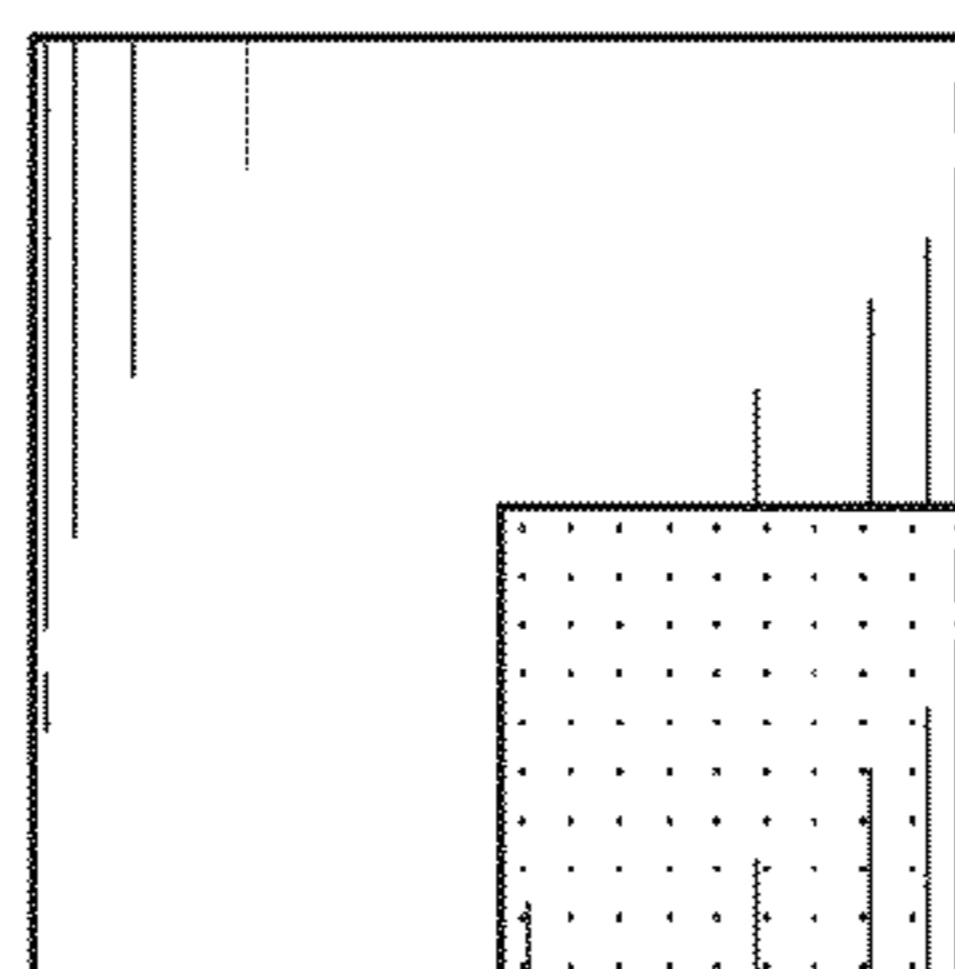


FIG. 7

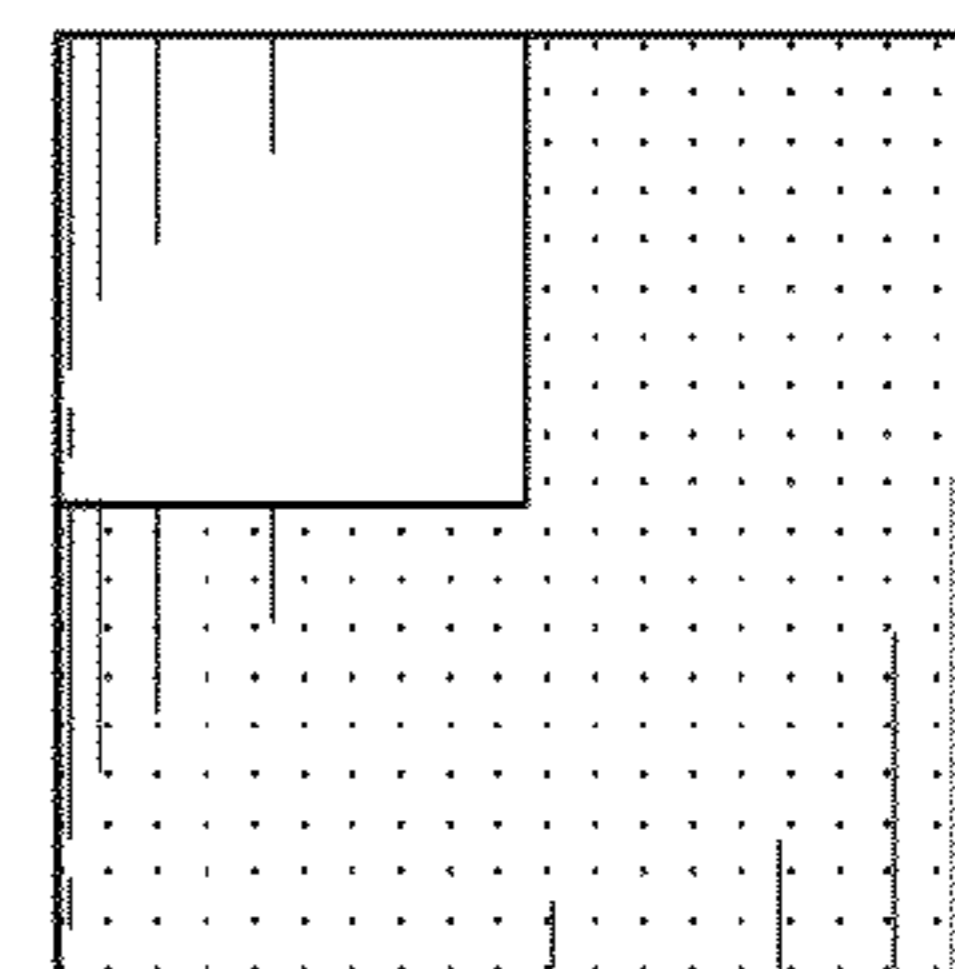




FIG. 8

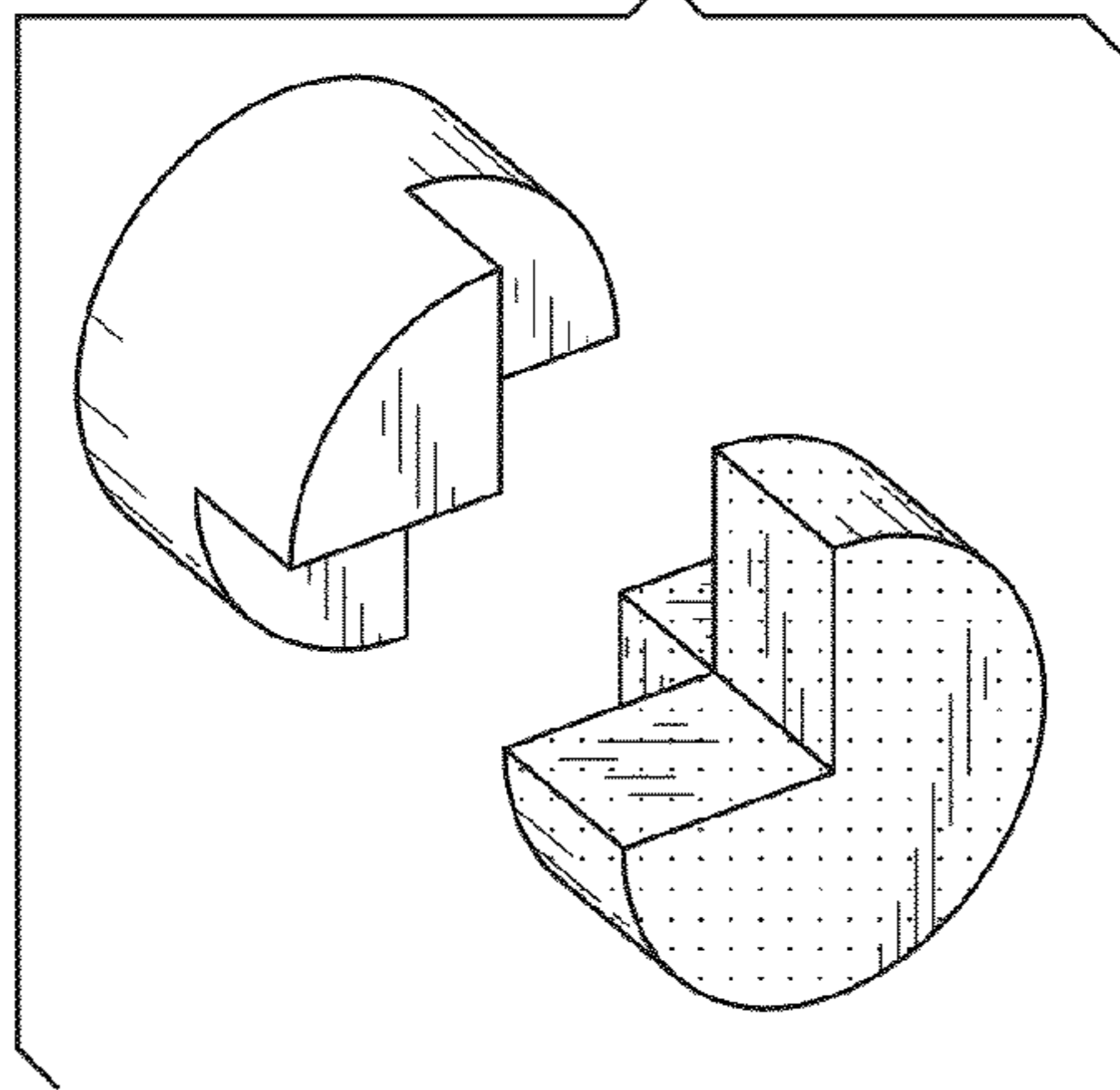


FIG. 9

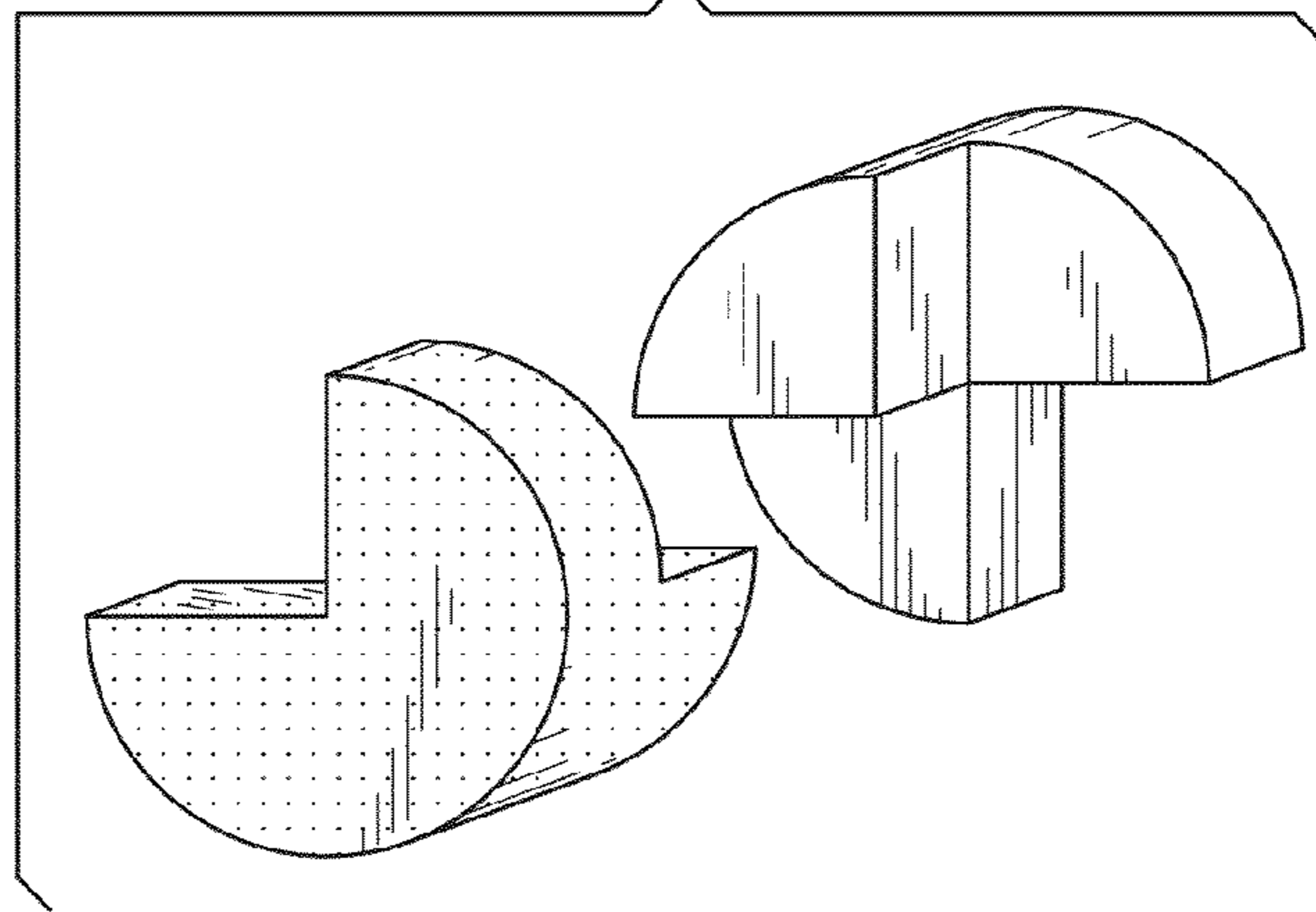


FIG. 10

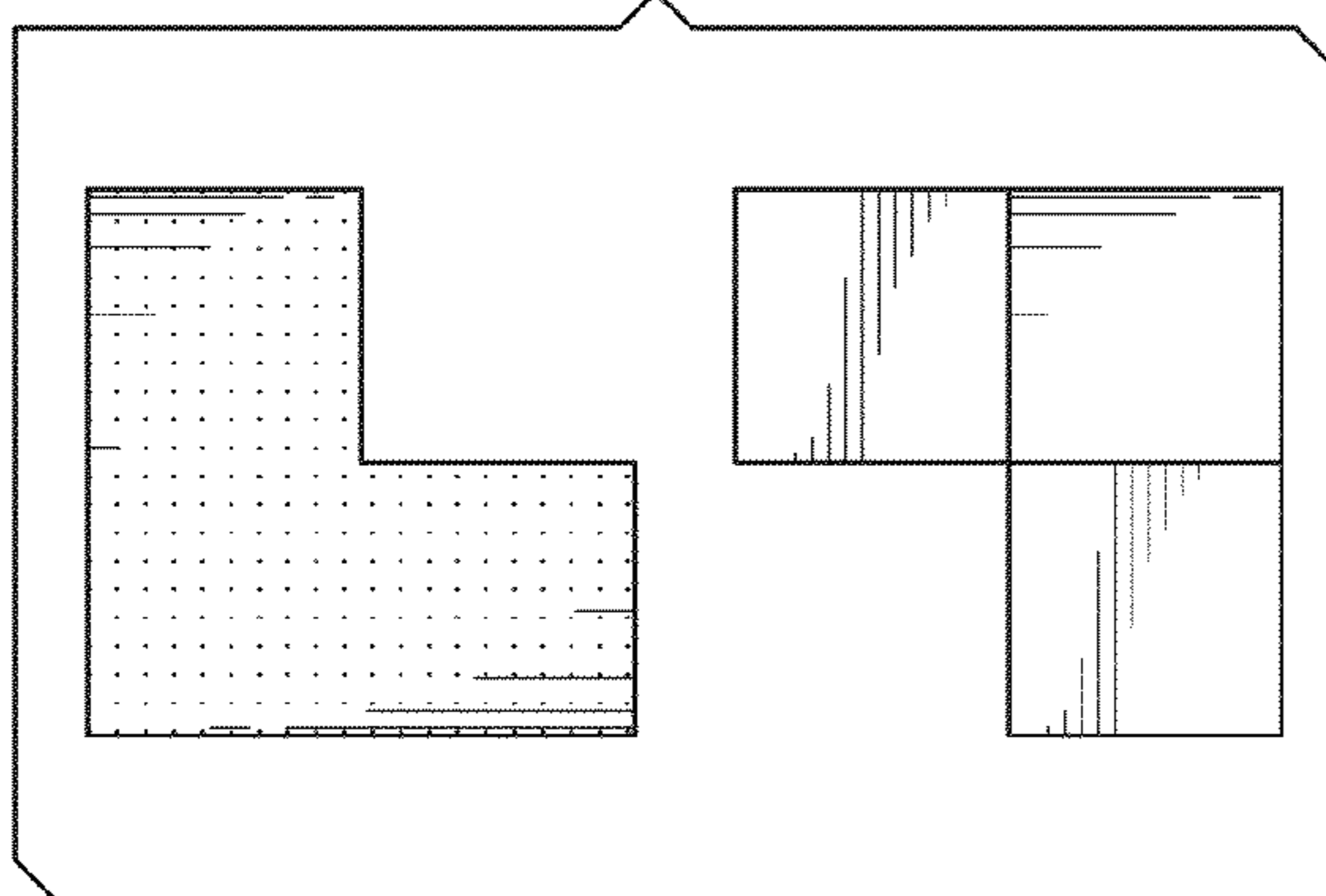


FIG. 11

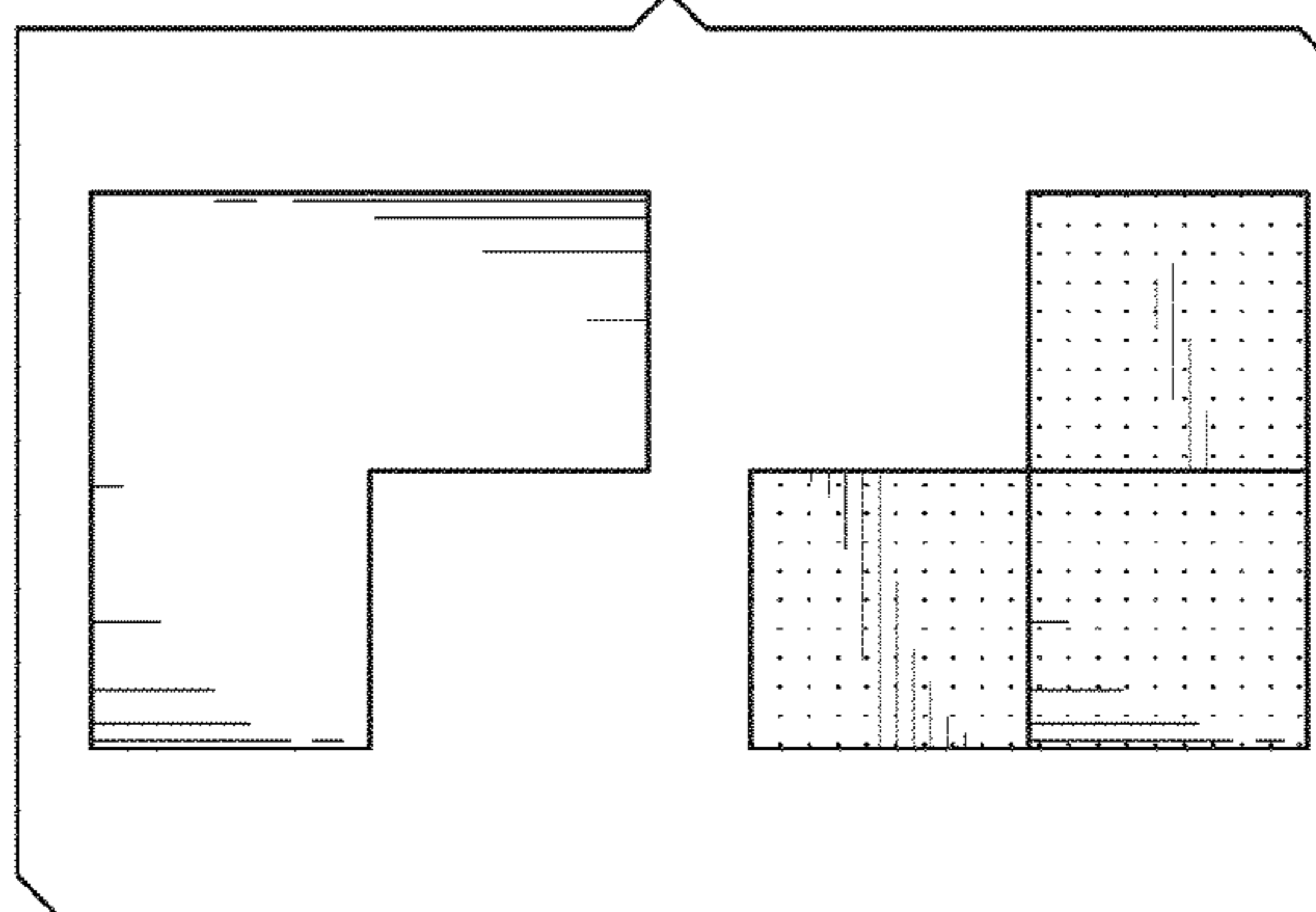


FIG. 12

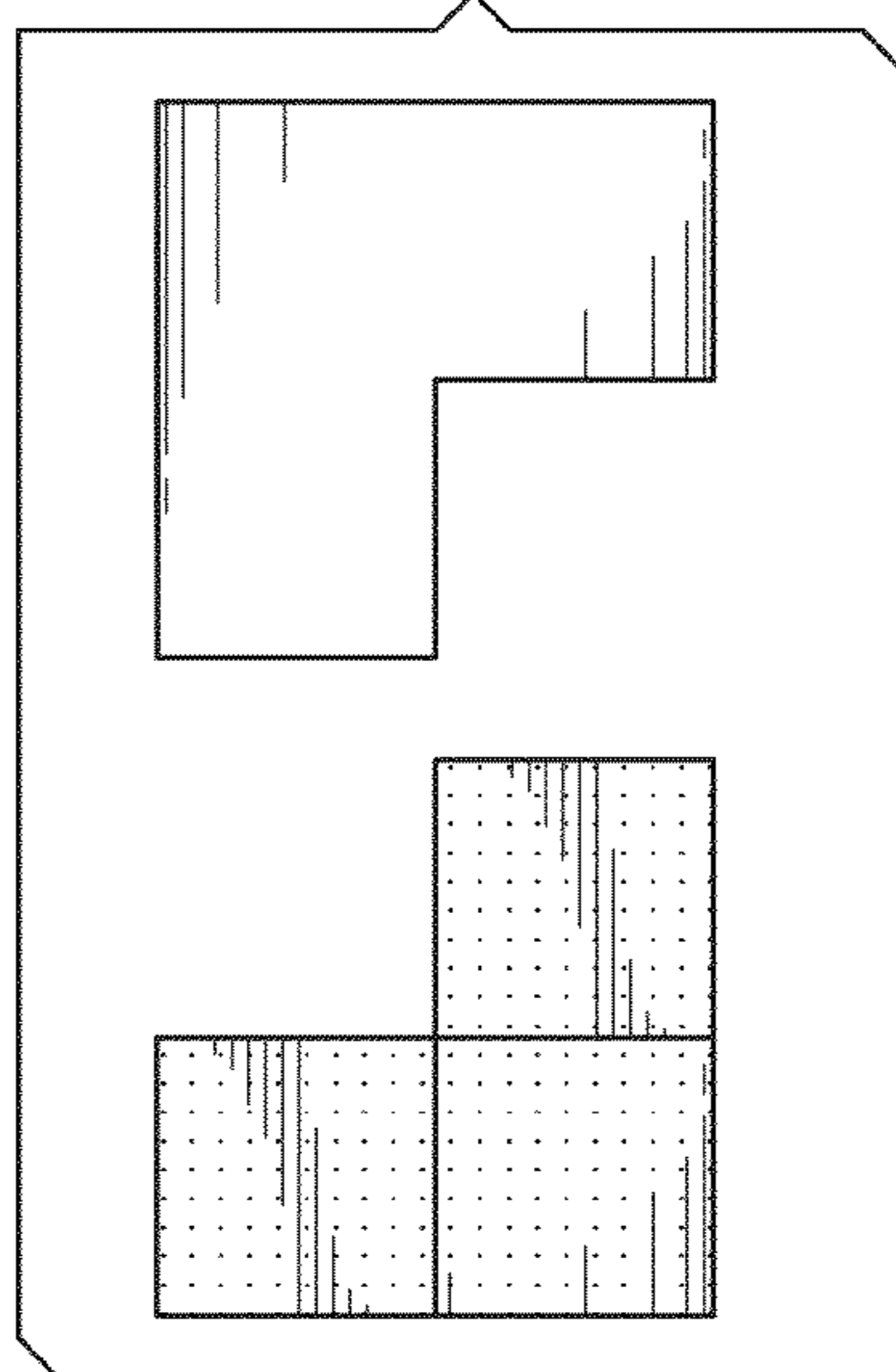


FIG. 13

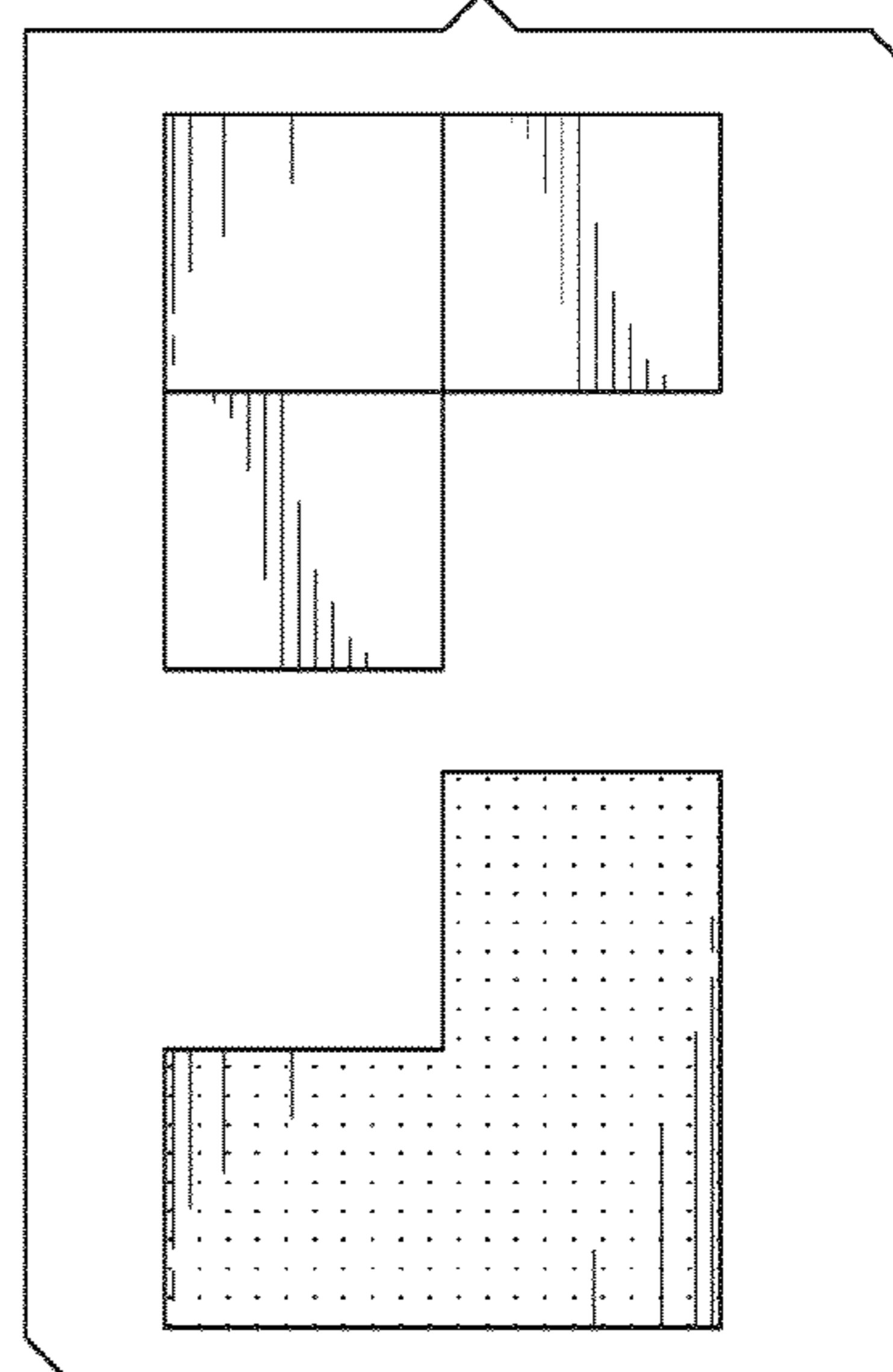


FIG. 14

