



US00D724717S

(12) **United States Design Patent**
Abrishamkar et al.

(10) **Patent No.:** **US D724,717 S**
(45) **Date of Patent:** **** Mar. 17, 2015**

(54) **HEATING, VENTILLATION AND AIR
CONDITIONER CONTROL BOARD COVER**

62/262-263, 304, 401, 515-516;
454/330-331, 349-350, 354

See application file for complete search history.

(71) Applicant: **Lennox Industries Inc.**, Richardson, TX
(US)

(56) **References Cited**

U.S. PATENT DOCUMENTS

(72) Inventors: **Farhad Abrishamkar**, Richardson, TX
(US); **Darko Hadzidedic**, Carrollton,
TX (US); **Michael Renker**, Carrollton,
TX (US); **Nick Chabolla**, Carrollton, TX
(US); **Martin Pullen**, Carrollton, TX
(US); **Gregory Ruhlander**, Carrollton,
TX (US); **Thomas Pavlak**, Commerce
Township, MI (US); **James Marvin
Stenz**, Fenton, MI (US)

D373,821 S *	9/1996	Thompson et al.	D23/354
D460,165 S *	7/2002	Hanson et al.	D23/354
D480,791 S *	10/2003	Phillips	D23/354
D490,509 S *	5/2004	Negrao et al.	D23/354
D660,948 S *	5/2012	Varma	D23/354
D663,019 S *	7/2012	Purnell	D23/386

* cited by examiner

Primary Examiner — Brian N Vinson

(73) Assignee: **Lennox Industries Inc.**, Richardson, TX
(US)

(57) **CLAIM**

An ornamental design for a “heating, ventilation and air
conditioner control board cover,” as shown and described.

(**) Term: **14 Years**

DESCRIPTION

(21) Appl. No.: **29/473,795**

FIG. 1 is a front perspective view of the control board cover;
FIG. 2 is front view of the control board cover;
FIG. 3 is a back view of the control board cover;
FIG. 4 is a right side view of the control board cover;
FIG. 5 is a left side view of the control board cover;
FIG. 6 is a top view of the control board cover; and,
FIG. 7 is a bottom view of the control board cover.

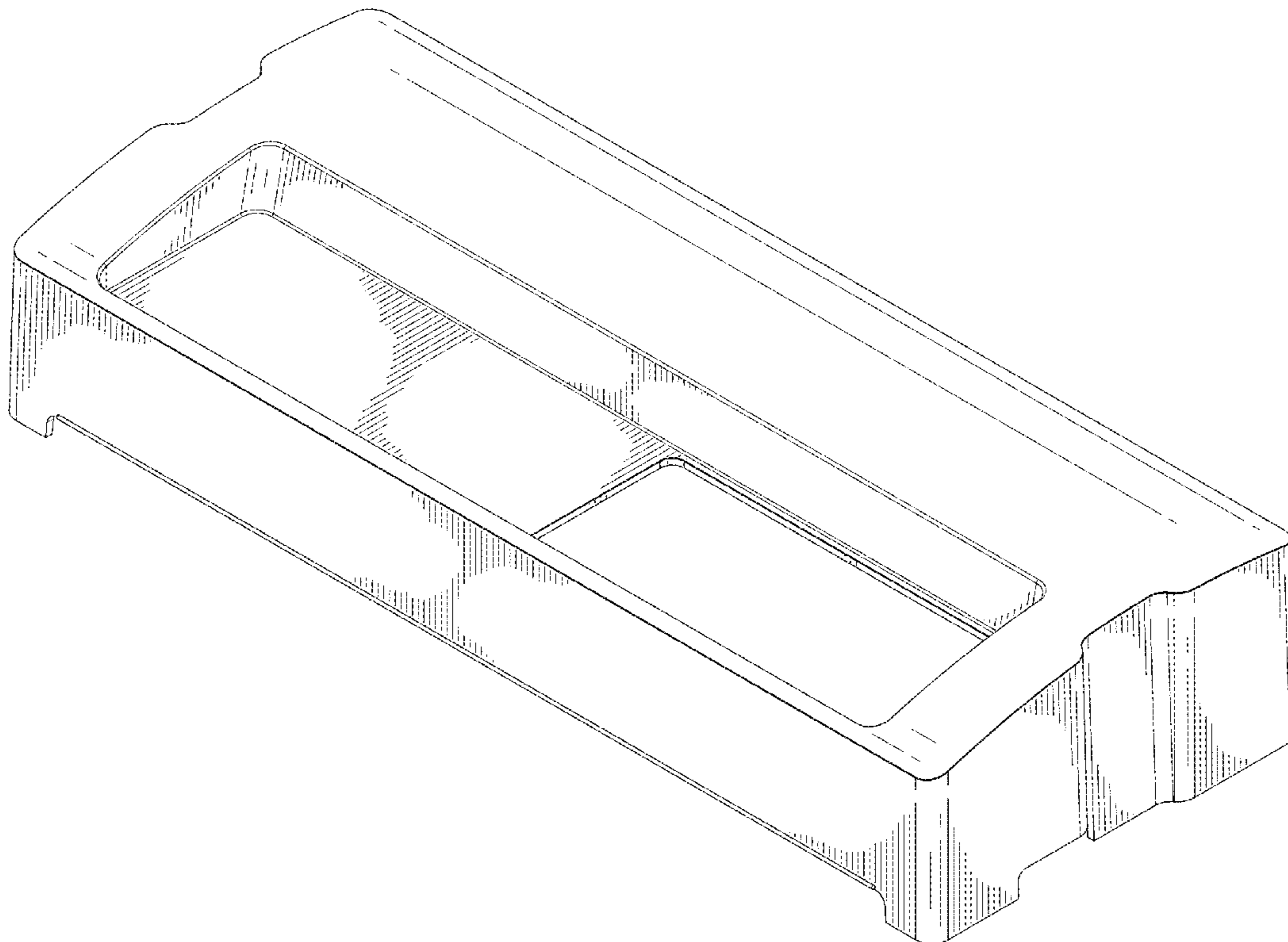
(22) Filed: **Nov. 26, 2013**

(51) **LOC (10) Cl.** **23-04**

(52) **U.S. Cl.**
USPC **D23/386**

(58) **Field of Classification Search**
USPC D23/314, 317, 332-333, 351, 386;
312/236; 62/259.1, 259.3, 259.4,

1 Claim, 5 Drawing Sheets



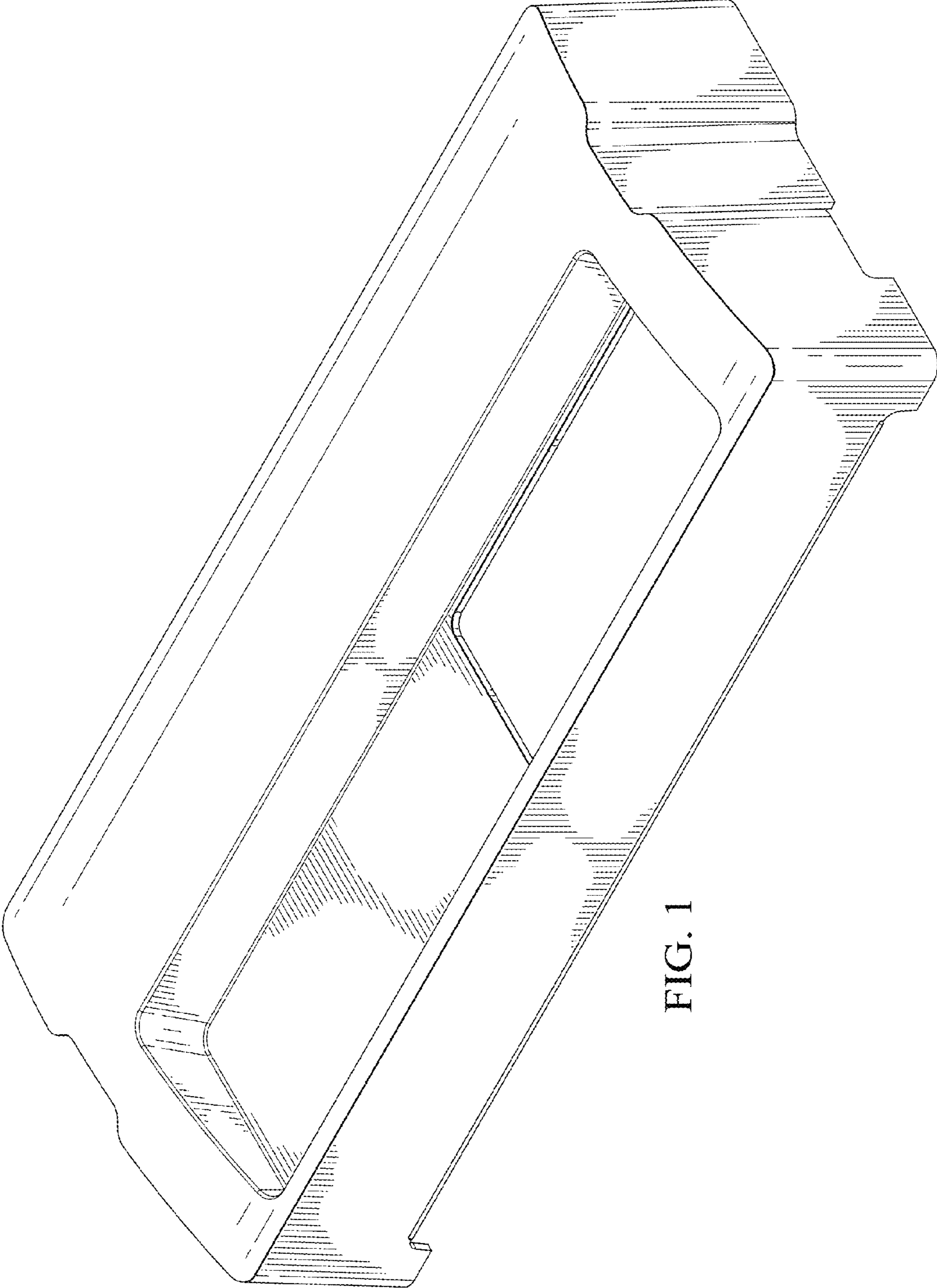


FIG. 1

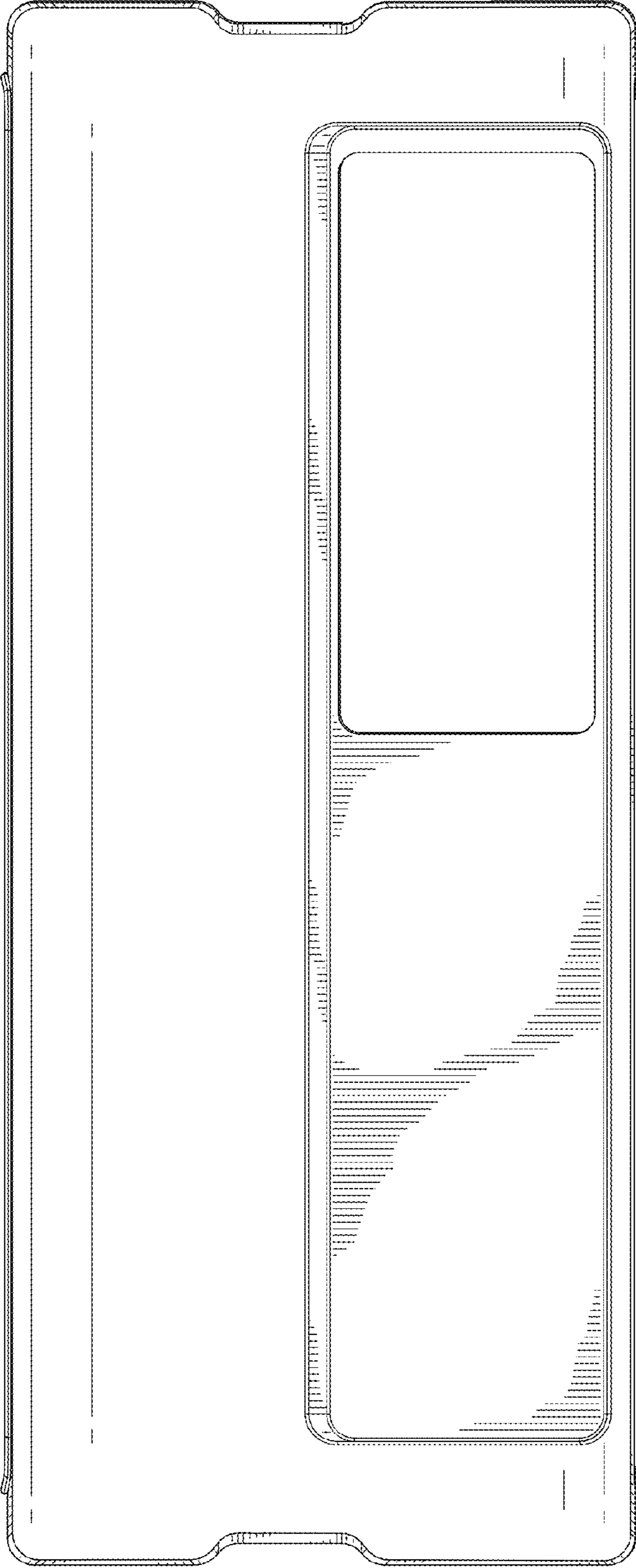


FIG. 2

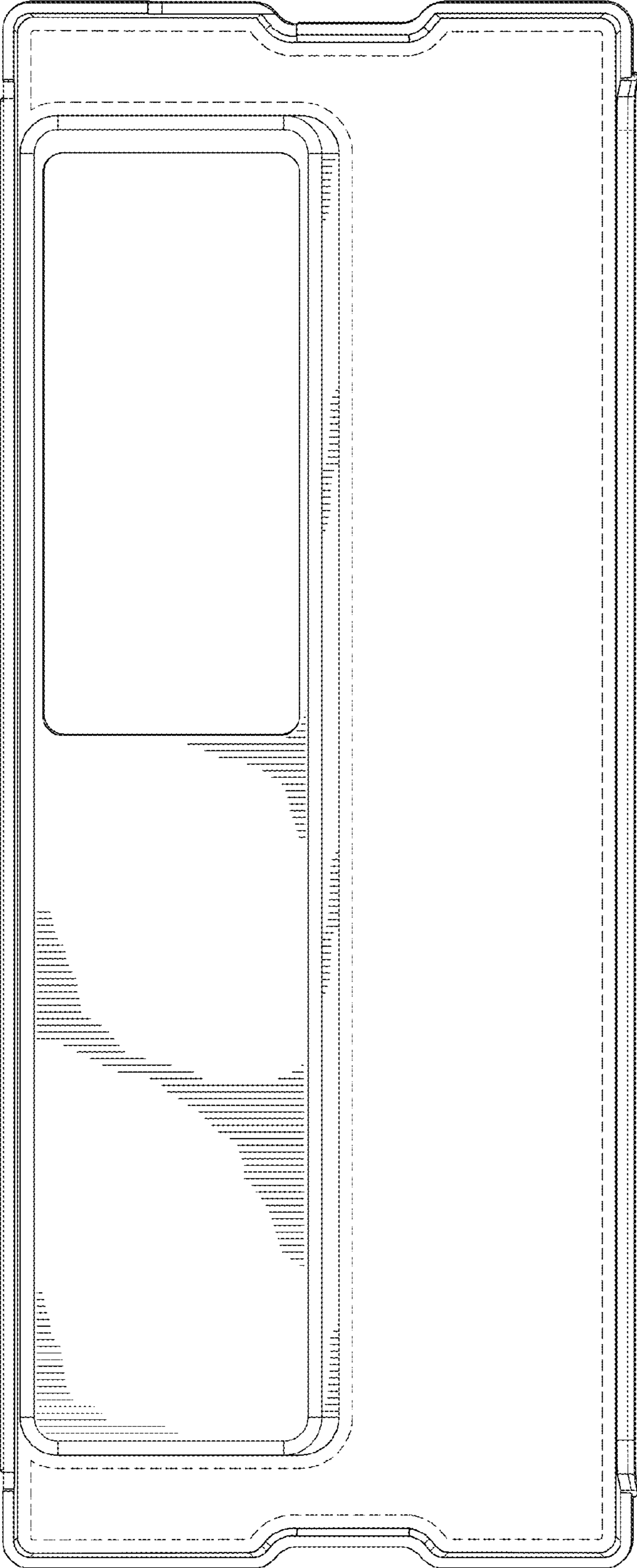


FIG. 3

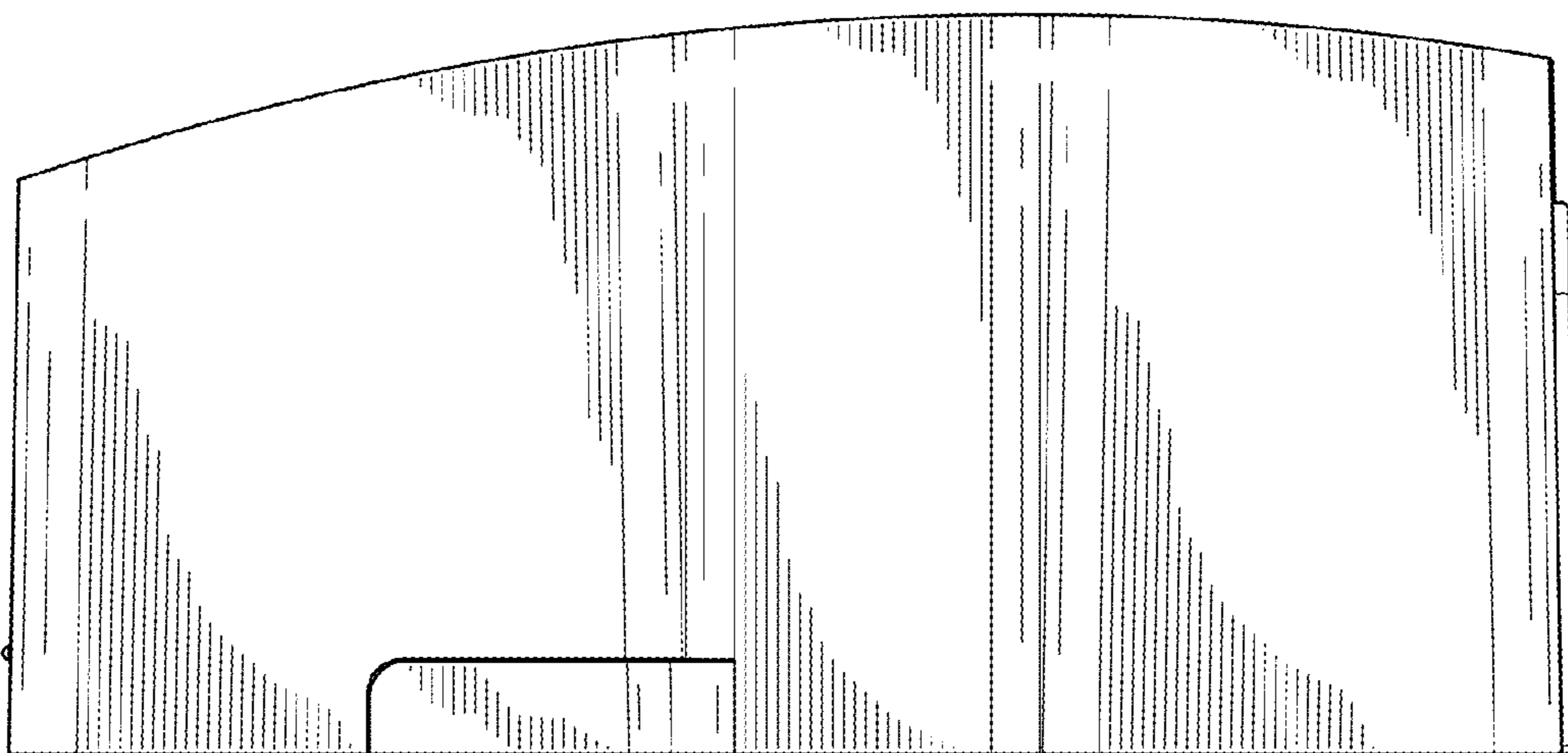


FIG. 4

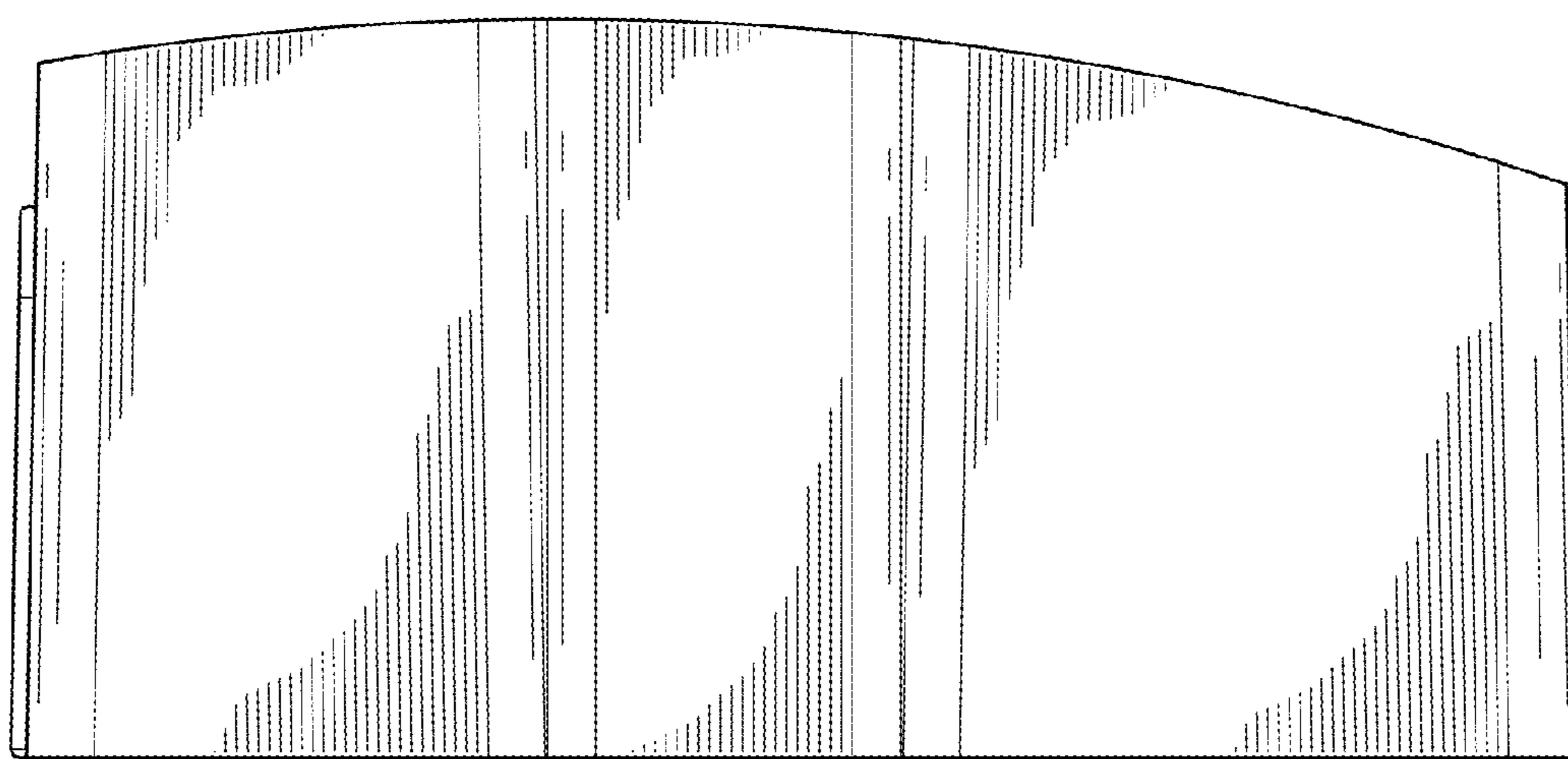


FIG. 5



FIG. 6

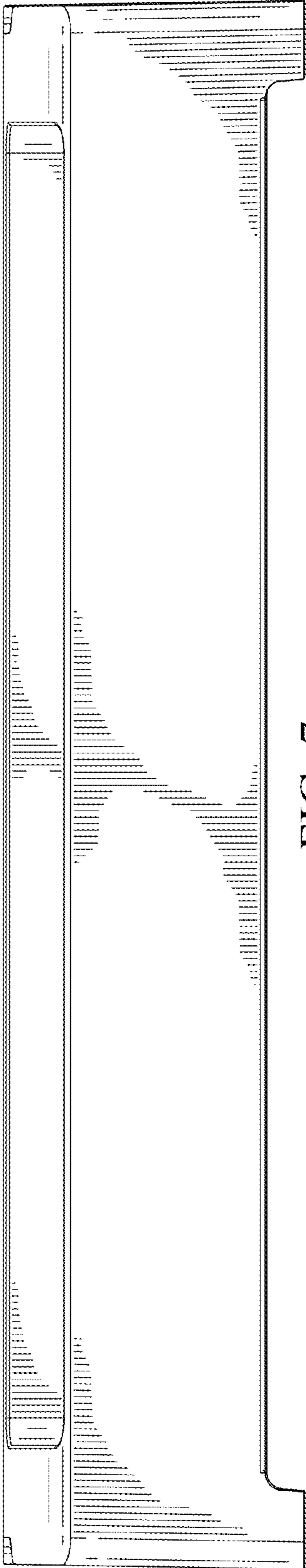


FIG. 7