



US00D724714S

(12) **United States Design Patent**
Benson et al.

(10) **Patent No.:** **US D724,714 S**
(45) **Date of Patent:** **** Mar. 17, 2015**

- (54) **OUTDOOR FIREPLACE**
- (71) Applicant: **Traeger Pellet Grills LLC**, Nyack, NY (US)
- (72) Inventors: **Chuck Benson**, Cornelius, OR (US);
George Koster, Wilsonville, OR (US);
Nick Moss, Wilsonville, OR (US)
- (73) Assignee: **Traeger Pellet Grills LLC**, Nyack, NY (US)
- (**) Term: **14 Years**

D397,428	S	*	8/1998	Reitsma et al.	D23/348
5,983,882	A	*	11/1999	Ceravolo	126/25 R
6,220,240	B1	*	4/2001	Grady et al.	126/519
D457,229	S	*	5/2002	Chen	D23/343
D633,995	S	*	3/2011	Chiang	D23/343
D675,862	S	*	2/2013	Bodum	D7/337

* cited by examiner

Primary Examiner — T. Chase Nelson

Assistant Examiner — Ania Aman

(74) *Attorney, Agent, or Firm* — Workman Nydegger

- (21) Appl. No.: **29/464,266**
- (22) Filed: **Aug. 14, 2013**
- (51) **LOC (10) Cl.** **23-03**
- (52) **U.S. Cl.**
USPC **D23/332**
- (58) **Field of Classification Search**
USPC D23/317, 314, 332, 333, 334, 335, 337,
D23/342, 351, 355, 378, 370, 381, 364, 336,
D23/341, 343, 348, 401; 416/244 R, 247 R,
416/53.1–53.3; 392/365, 367; D7/332–337,
D7/402–405, 352; 126/519, 547–551, 190,
126/193, 200, 224, 222, 223, 25 R
See application file for complete search history.

(57) **CLAIM**

The ornamental design for an outdoor fireplace, as shown and described.

DESCRIPTION

FIG. 1 is a top front perspective view of an ornamental design for an outdoor fireplace according to the present invention. FIG. 2 is a left side view of the outdoor fireplace of FIG. 1. FIG. 3 is a front side view of the outdoor fireplace of FIG. 1. FIG. 4 is a rear side view of the outdoor fireplace of FIG. 1. FIG. 5 is a top view of the outdoor fireplace of FIG. 1; and, FIG. 6 is a bottom view of the outdoor fireplace of FIG. 1. The broken line shown in the drawings are for the purpose of illustrating portions of the article that form no part of the claimed design.

(56) **References Cited**

U.S. PATENT DOCUMENTS

194,101	A	*	8/1877	Muller	126/25 R
D390,935	S	*	2/1998	Bosje et al.	D23/332

1 Claim, 3 Drawing Sheets

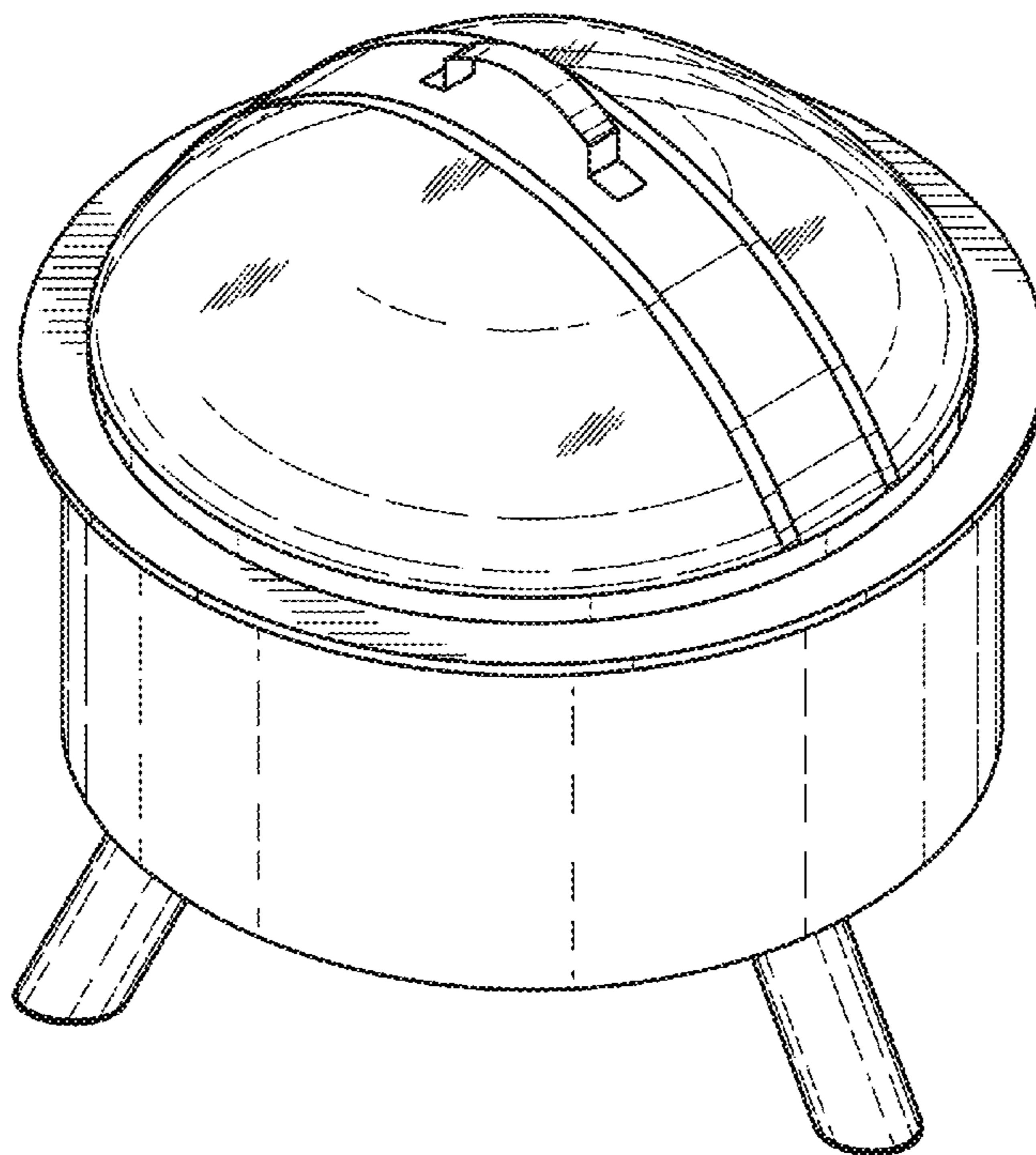


Fig. 1

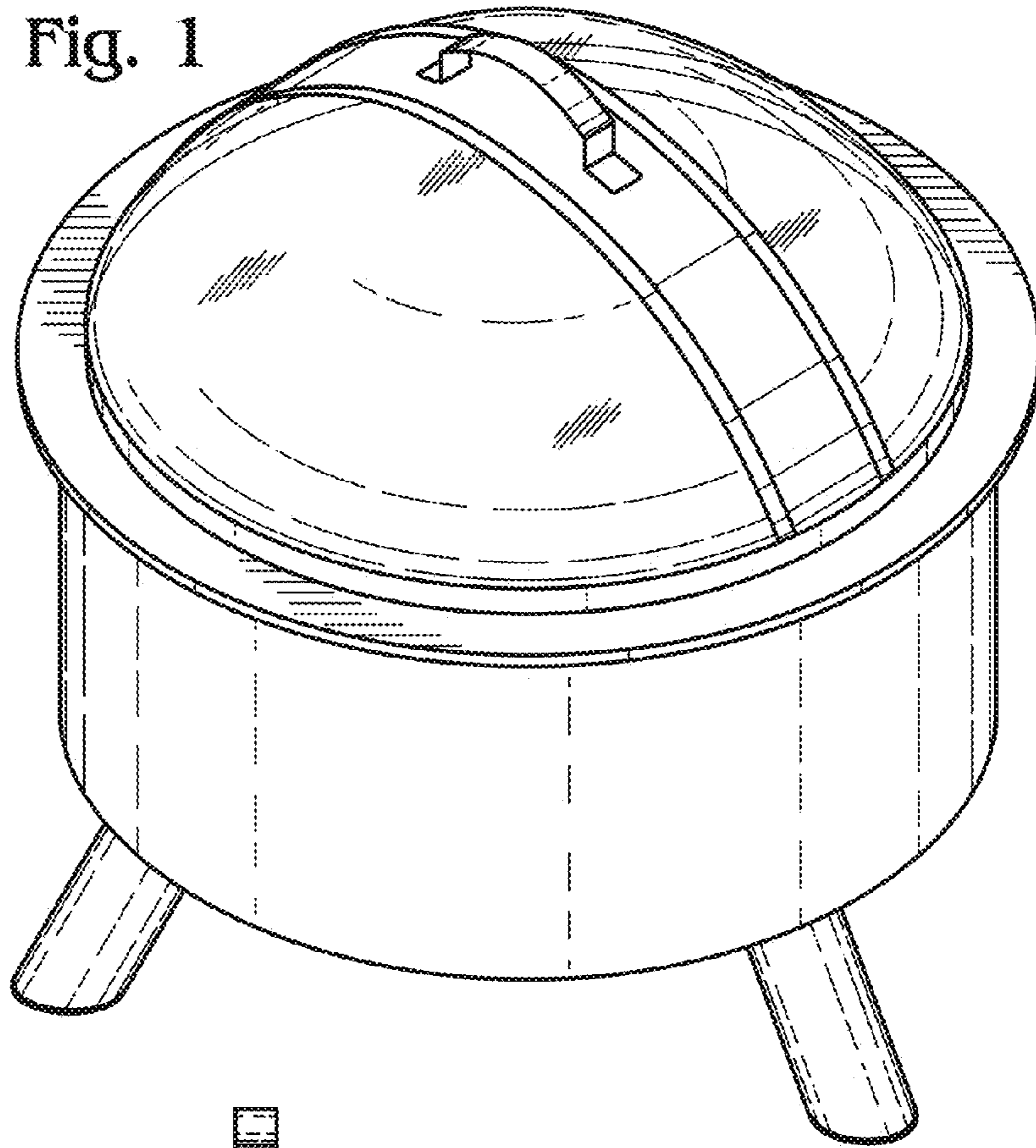


Fig. 2

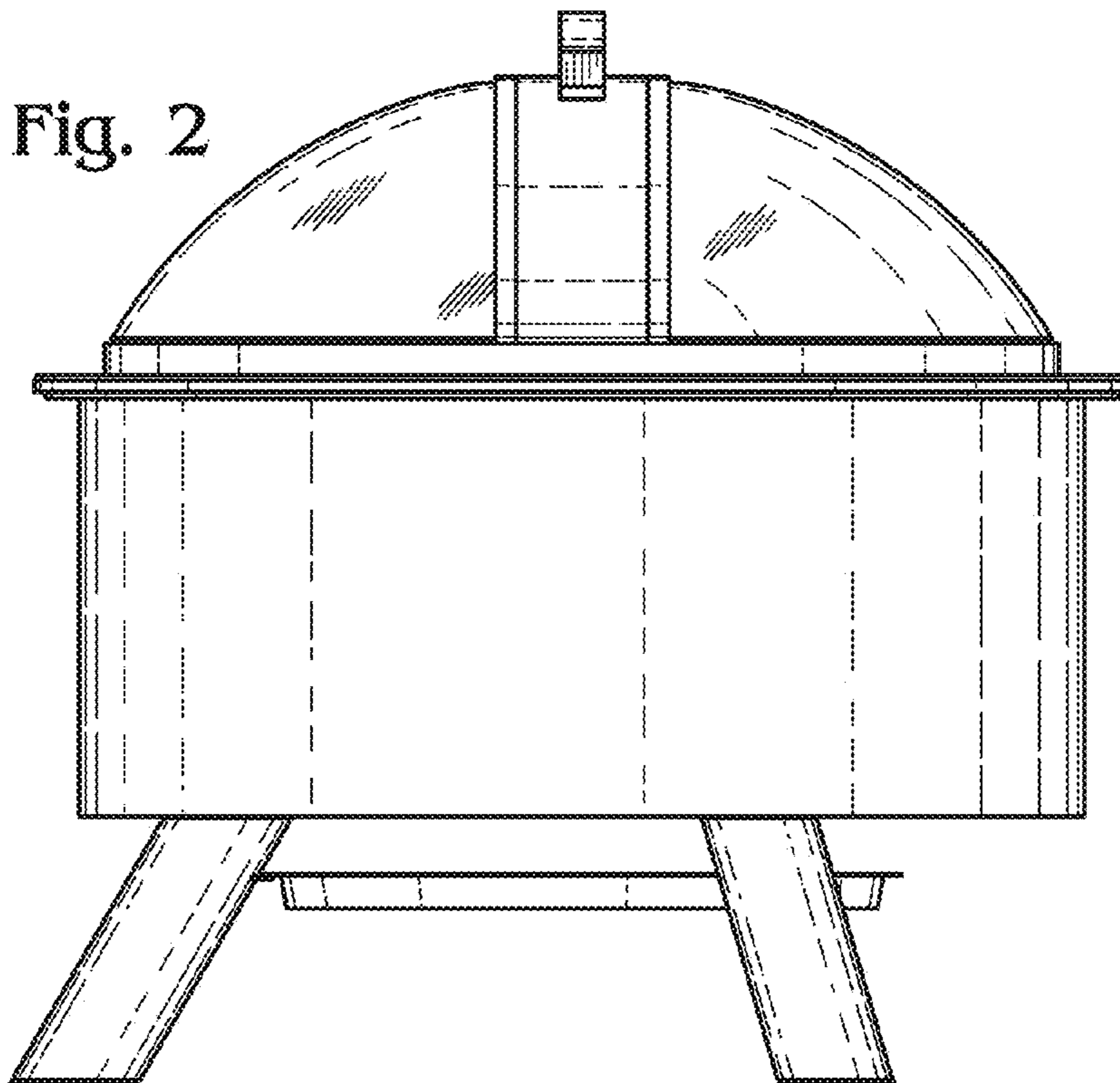


Fig. 3

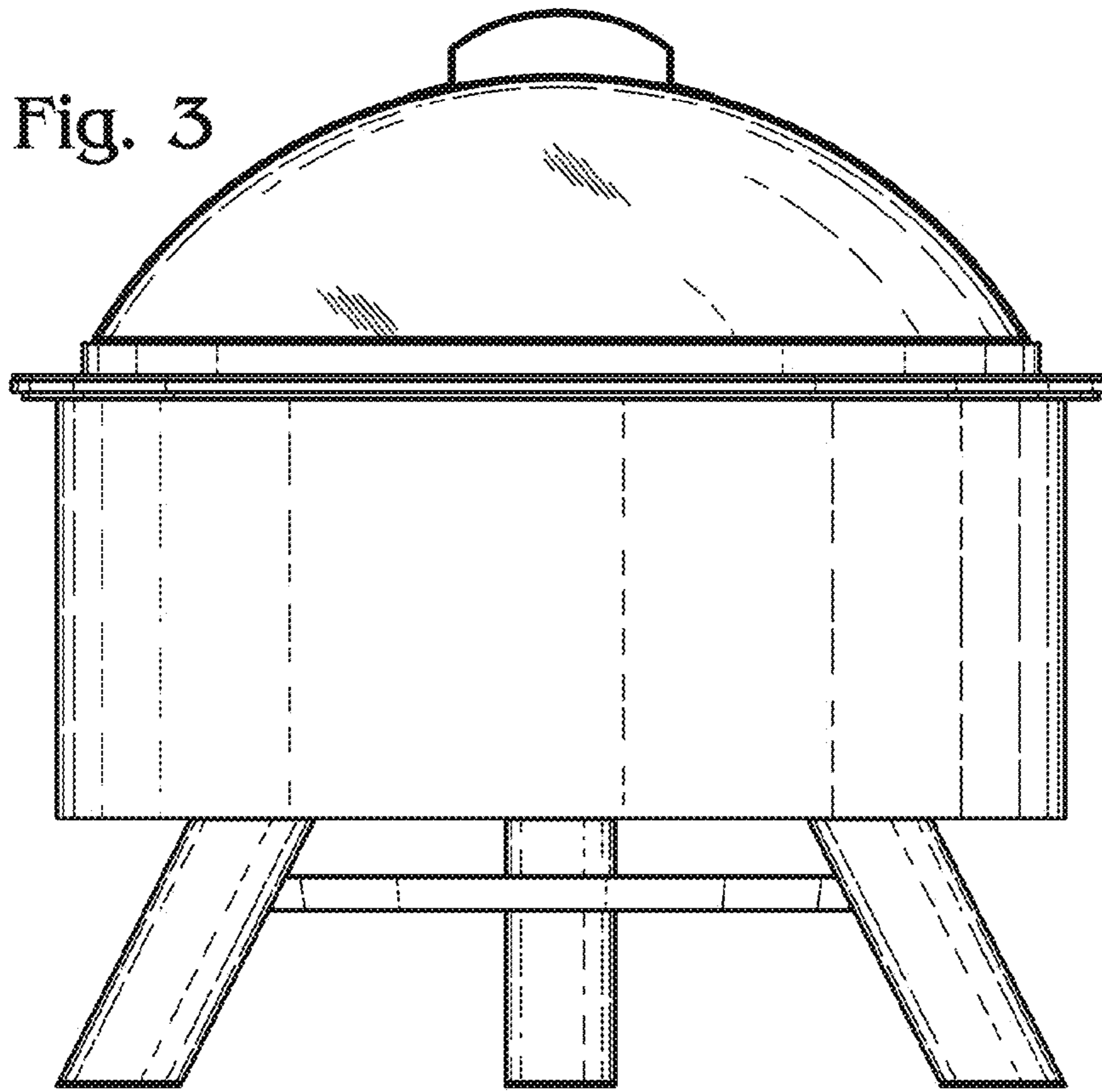


Fig. 4

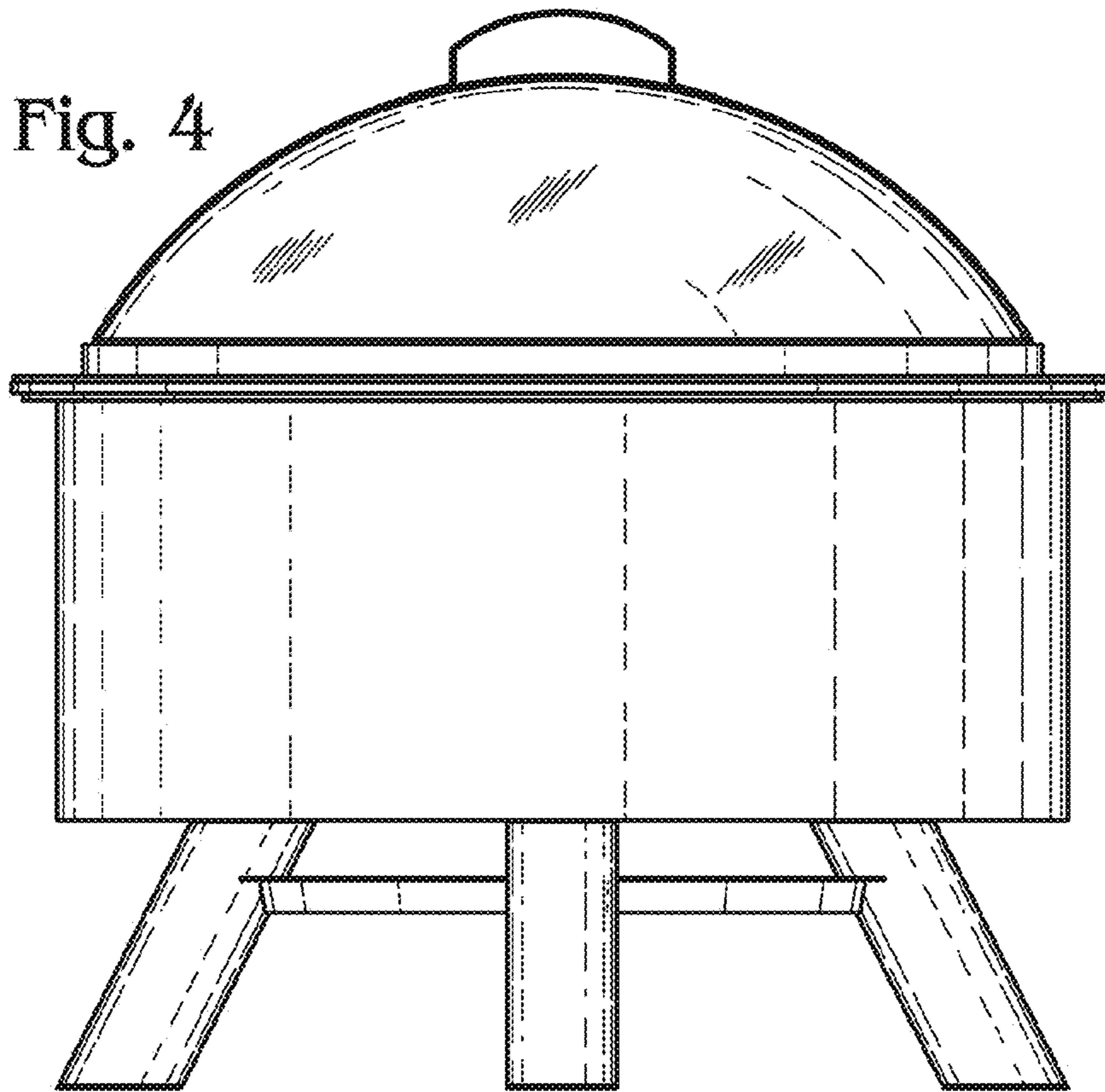


Fig. 5

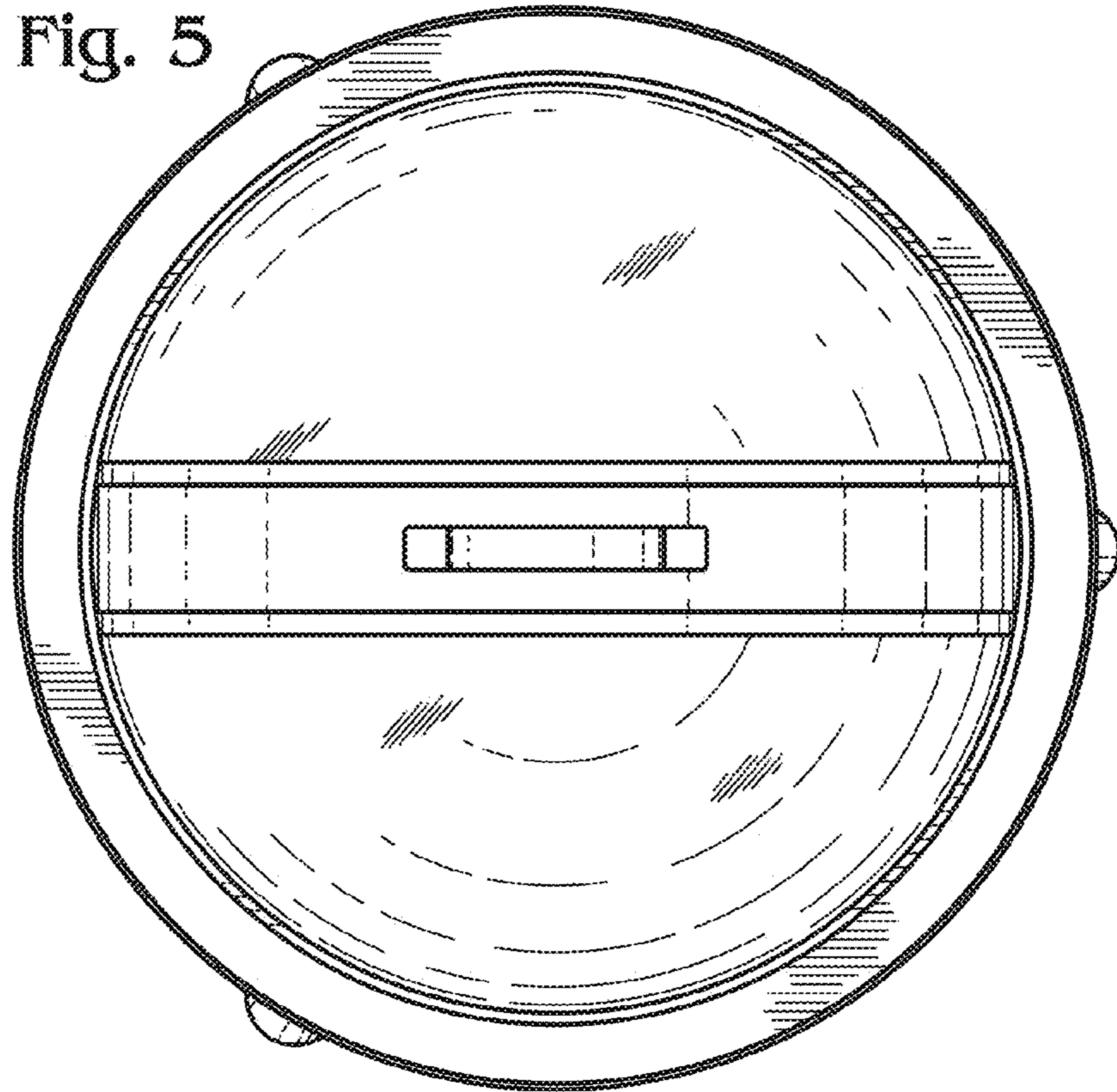


Fig. 6

