



US00D724713S

(12) **United States Design Patent**  
**Fullerton, Jr. et al.**

(10) **Patent No.:** **US D724,713 S**  
(45) **Date of Patent:** **\*\* Mar. 17, 2015**

(54) **TOILET**

*Primary Examiner* — Robert Delehanty

(71) Applicant: **Kohler Co.**, Kohler, WI (US)

(74) *Attorney, Agent, or Firm* — Foley & Lardner LLP

(72) Inventors: **Benjamin B. Fullerton, Jr.**,  
Oconomowoc, WI (US); **Mary J. Reid**,  
Sheboygan, WI (US)

(57) **CLAIM**

We claim the ornamental design for a toilet, as shown and described.

(73) Assignee: **Kohler Co.**, Kohler, WI (US)

(\*\*) Term: **14 Years**

**DESCRIPTION**

(21) Appl. No.: **29/499,577**

FIG. 1 is a perspective view of an exemplary embodiment of the claimed design;

(22) Filed: **Aug. 15, 2014**

FIG. 2 is a side view of the embodiment of the claimed design shown in FIG. 1;

**Related U.S. Application Data**

(62) Division of application No. 29/470,459, filed on Oct. 22, 2013, now Pat. No. Des. 712,525.

FIG. 3 is another side view of the embodiment of the claimed design shown in FIG. 1;

(51) **LOC (10) Cl.** ..... **23-02**

FIG. 4 is a front view of the embodiment of the claimed design shown in FIG. 1;

(52) **U.S. Cl.**

USPC ..... **D23/309**

FIG. 5 is a rear view of the embodiment of the claimed design shown in FIG. 1;

(58) **Field of Classification Search**

USPC ..... D23/295, 301, 303, 309, 313; 4/353,  
4/420, DIG. 15

FIG. 6 is a top view of the embodiment of the claimed design shown in FIG. 1; and,

See application file for complete search history.

FIG. 7 is a bottom view of the embodiment of the claimed design shown in FIG. 1.

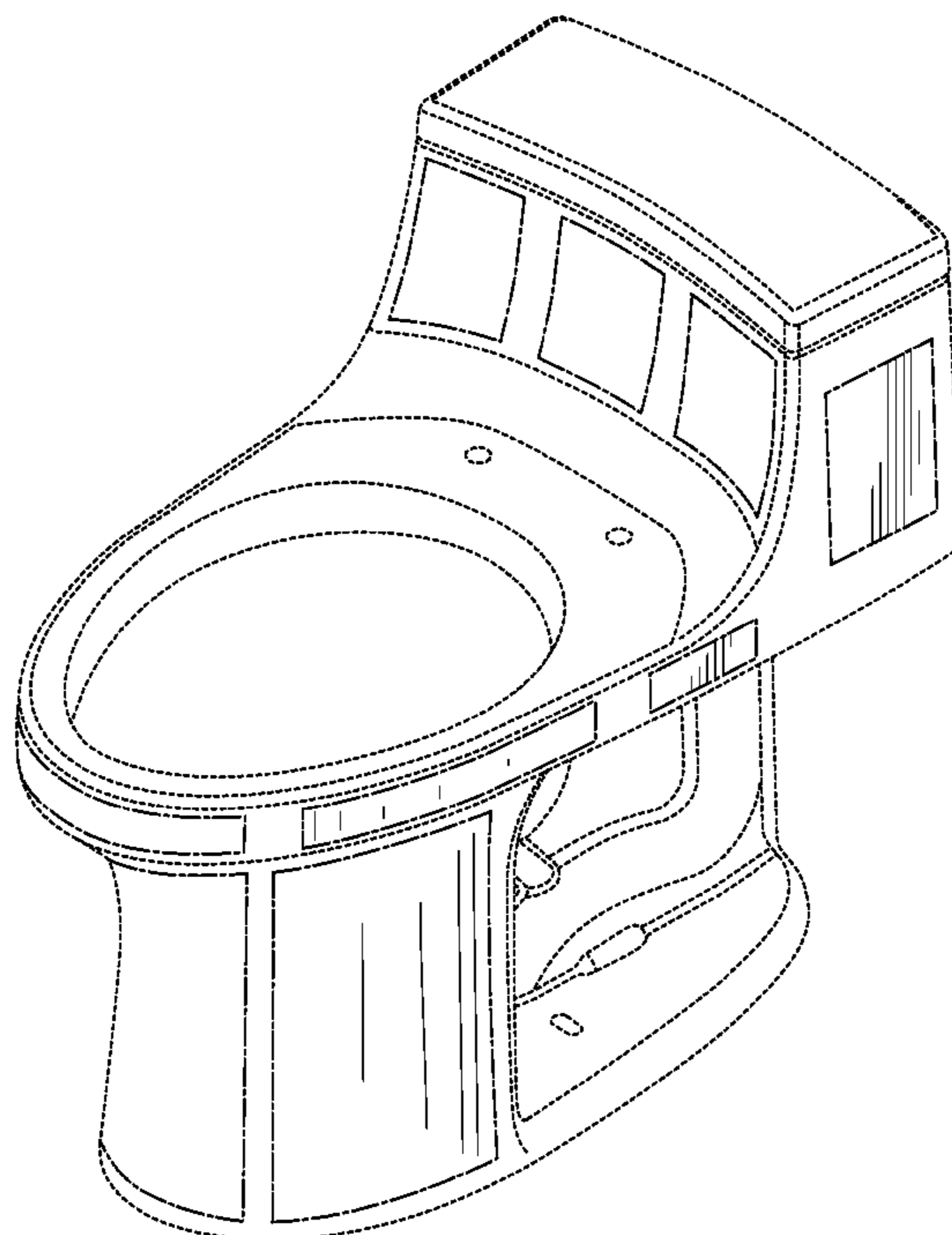
The ornamental design which is claimed is shown in solid lines in the drawings. The broken lines in the drawings are for illustrative purposes only and form no part of the claimed design. Broken lines formed by equal length dashes show unclaimed portions of the design. Broken lines formed of unequal length dashes (i.e., dash-dot) show boundaries between claimed and unclaimed portions of the design.

(56) **References Cited**

**U.S. PATENT DOCUMENTS**

D394,214 S	5/1998	Sang
D437,634 S	2/2001	Hundley
D465,272 S	11/2002	Gordon
D672,441 S	12/2012	Kennedy

**1 Claim, 7 Drawing Sheets**



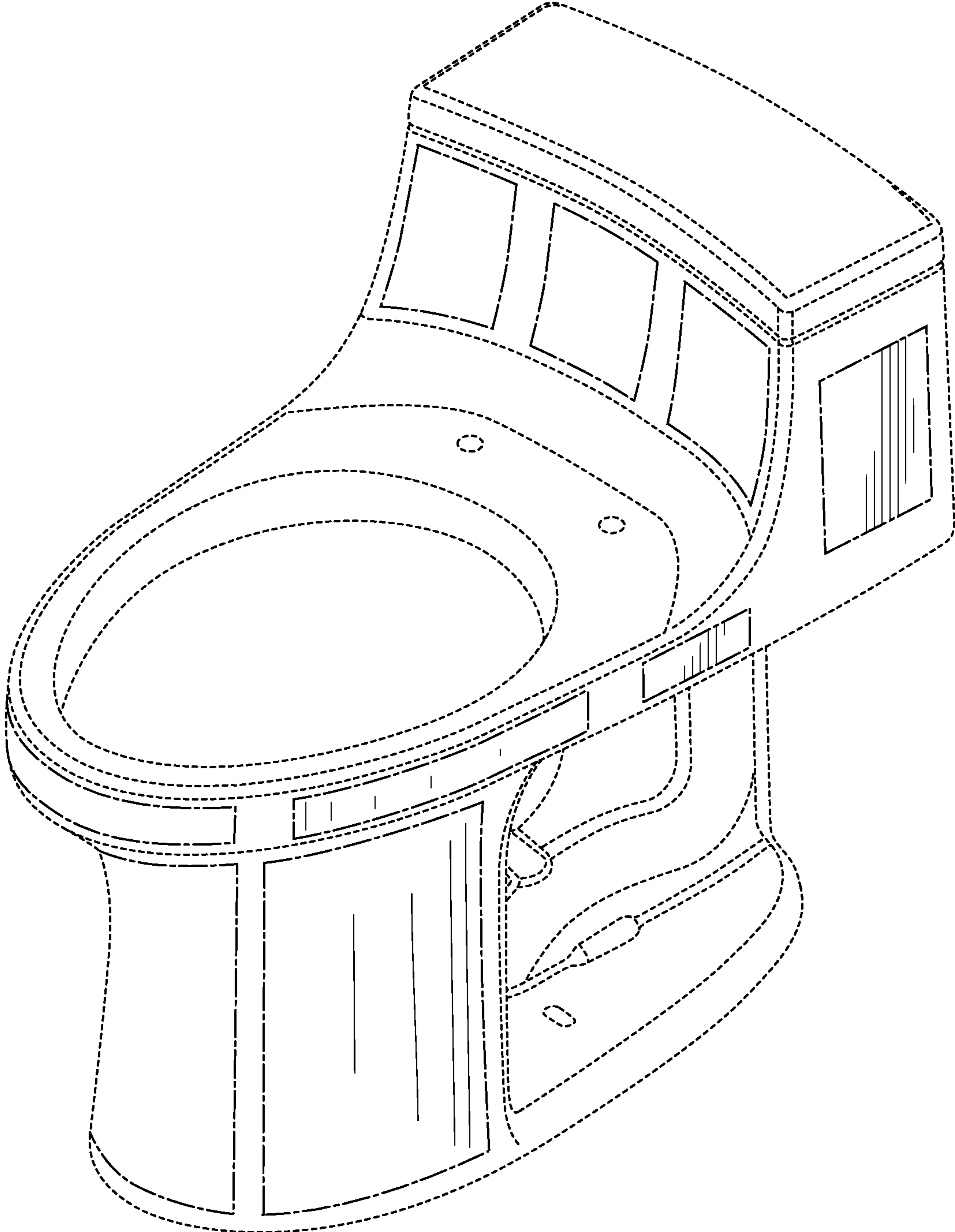


FIG. 1

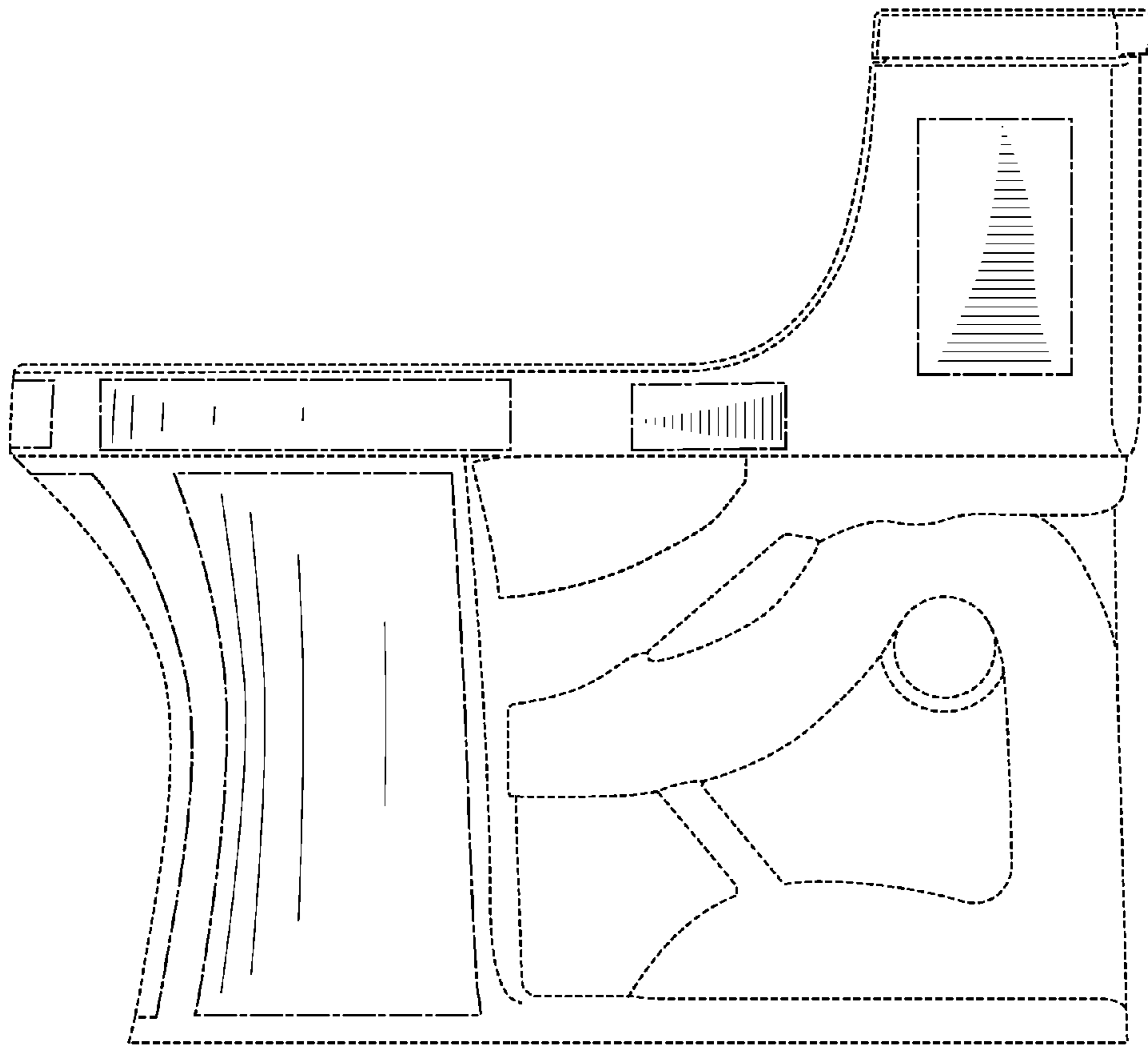


FIG. 2

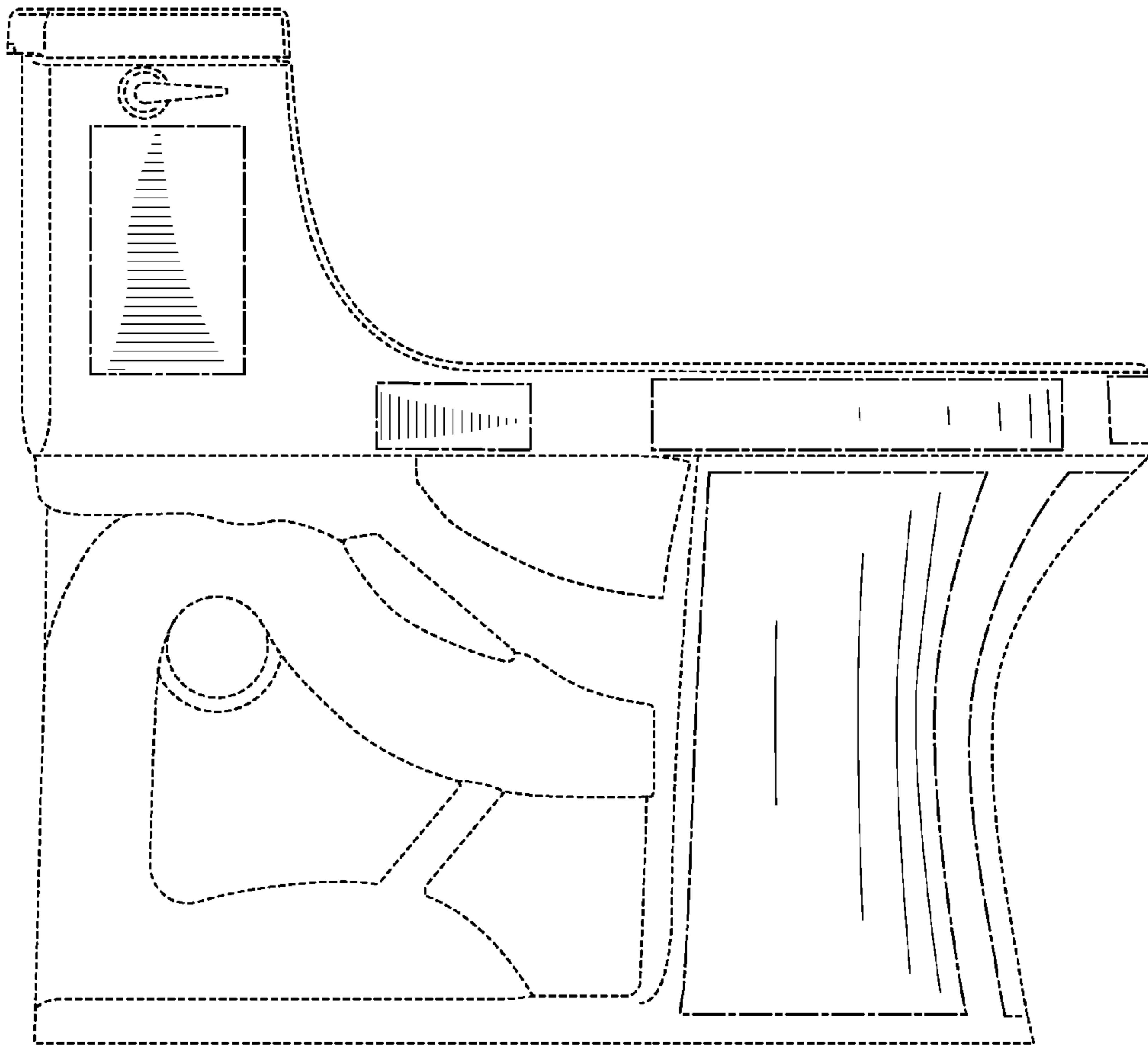


FIG. 3

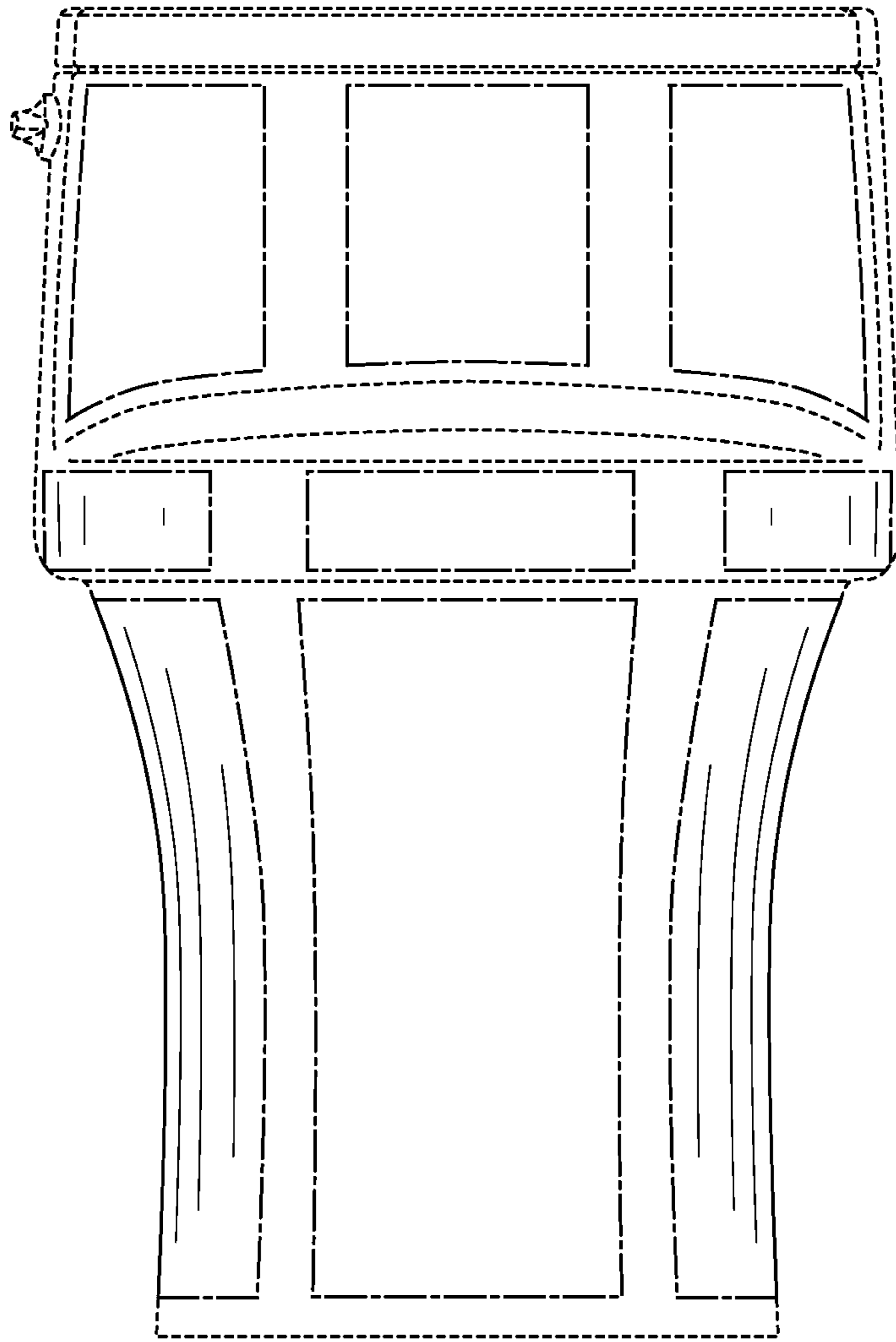


FIG. 4

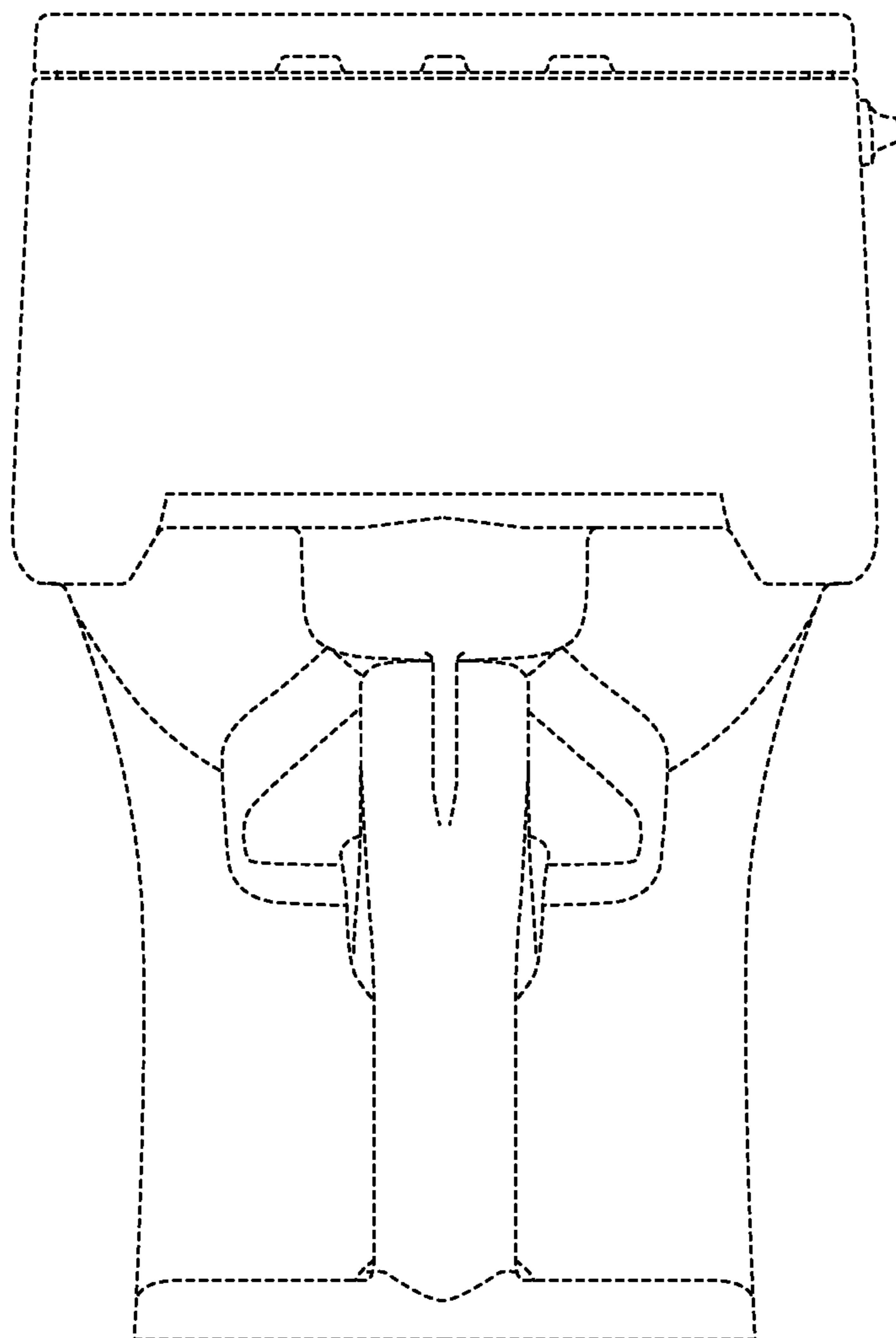


FIG. 5

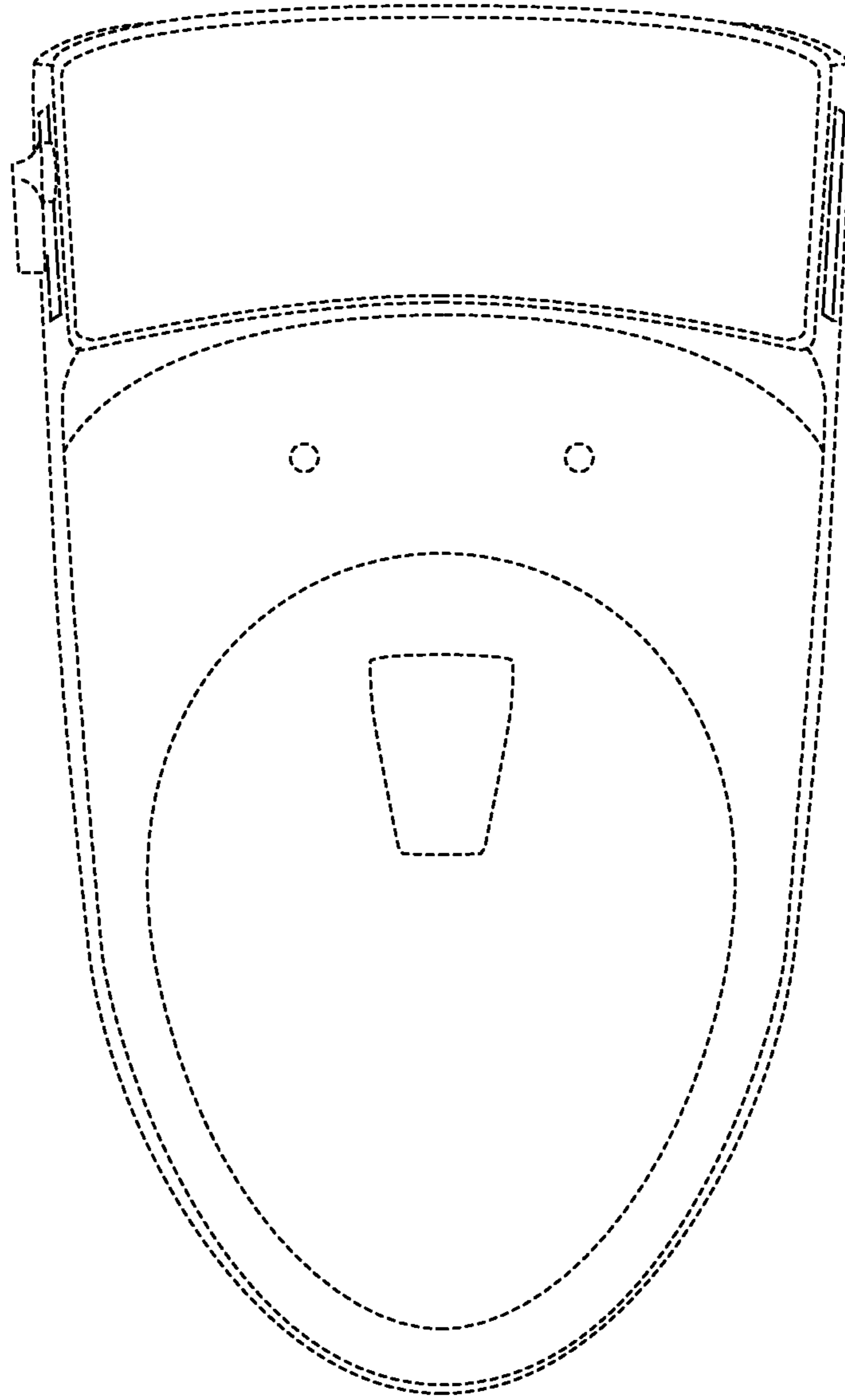


FIG. 6

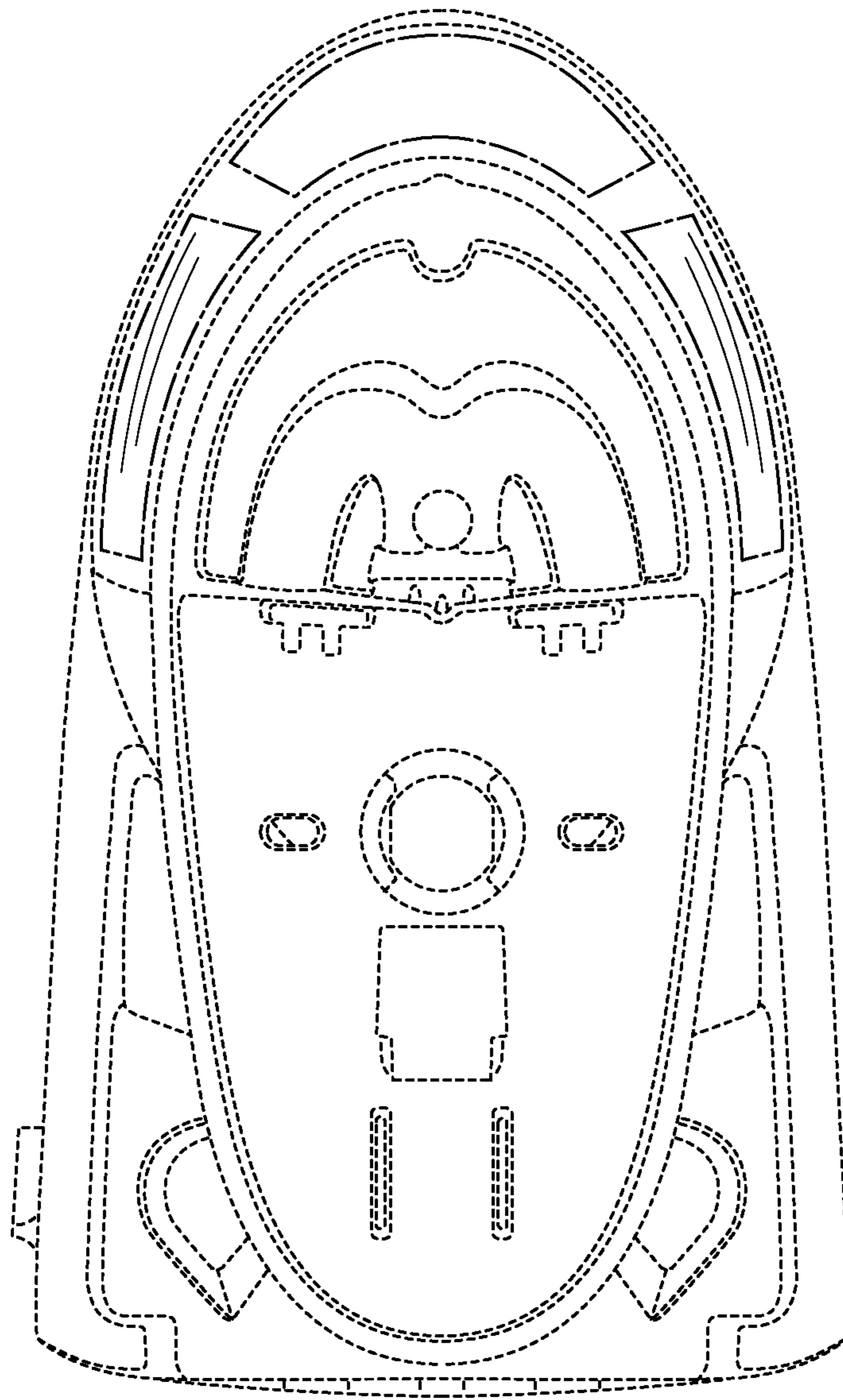


FIG. 7