



US00D724711S

(12) **United States Design Patent**  
**Capraro et al.**

(10) **Patent No.:** **US D724,711 S**  
(45) **Date of Patent:** **\*\* Mar. 17, 2015**

(54) **CHILD POTTY SEAT**

(71) Applicant: **Helen of Troy Limited**, Belleville, St. Michael (BB)

(72) Inventors: **Peter I. Capraro**, San Francisco, CA (US); **Tucker H. Fort**, Brooklyn, NY (US); **Erica Eden Cohen**, New York, NY (US)

(73) Assignee: **Helen of Troy Limited**, Belleville, St. Michael (BB)

(\*\*) Term: **14 Years**

(21) Appl. No.: **29/484,852**

(22) Filed: **Mar. 13, 2014**

(51) **LOC (10) Cl.** ..... **23-02**

(52) **U.S. Cl.**  
USPC ..... **D23/296**

(58) **Field of Classification Search**  
USPC ..... D23/296-297, 303, 309, 311-312;  
4/902, 237

See application file for complete search history.

(56) **References Cited**

**U.S. PATENT DOCUMENTS**

D346,206 S *	4/1994	Crossley et al.	.....	D23/296
D411,290 S *	6/1999	Bergkvist	.....	D23/296
D600,786 S *	9/2009	Lovatt	.....	D23/296
7,631,370 B2 *	12/2009	Dunn et al.	.....	4/239
D621,489 S *	8/2010	Tu	.....	D23/311

\* cited by examiner

*Primary Examiner* — Robert Delehanty

(74) *Attorney, Agent, or Firm* — Rankin, Hill & Clark LLP

(57) **CLAIM**

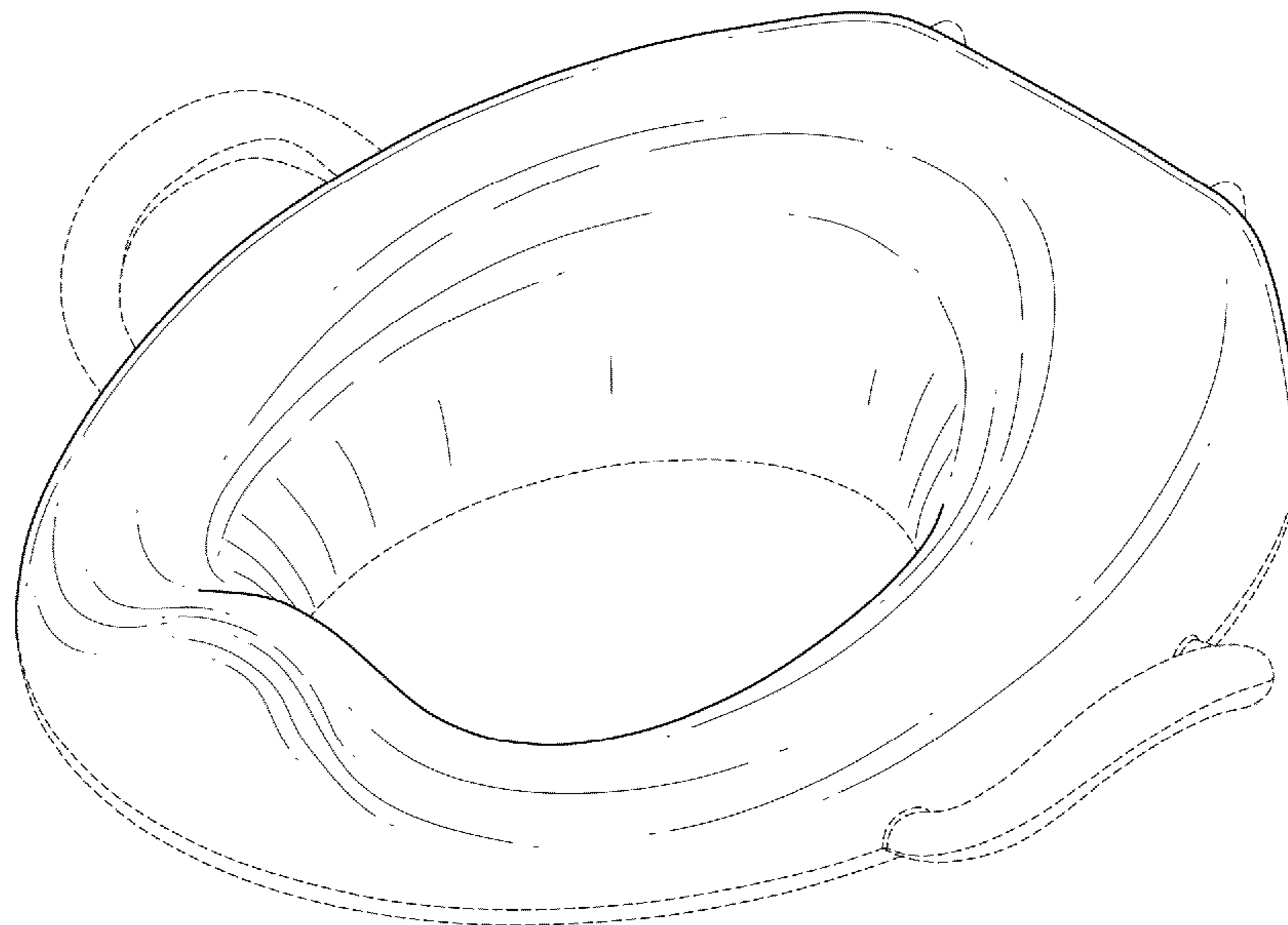
The ornamental design for a child potty seat, as shown and described in FIGS. 1-9, and the ornamental design for a child potty seat, as shown and described in FIGS. 10-18.

**DESCRIPTION**

FIG. 1 is a top perspective view of a child potty seat according to our new design;  
 FIG. 2 is a front bottom perspective view of the child potty seat shown in FIG. 1;  
 FIG. 3 is a rear top perspective view of the child potty seat shown in FIG. 1;  
 FIG. 4 is a front elevation view of the child potty seat shown in FIG. 1;  
 FIG. 5 is a rear elevation view of the child potty seat shown in FIG. 1;  
 FIG. 6 is a left side elevation view of the child potty seat shown in FIG. 1;  
 FIG. 7 is a right side elevation view of the child potty seat shown in FIG. 1;  
 FIG. 8 is a top plan view of the child potty seat shown in FIG. 1; and,  
 FIG. 9 is a bottom plan view of the child potty seat shown in FIG. 1.

The broken lines in the drawings, which illustrate environmental structure or boundaries of the embodiments of the exemplary child potty seat, do not form a part of the claimed design.

**1 Claim, 9 Drawing Sheets**



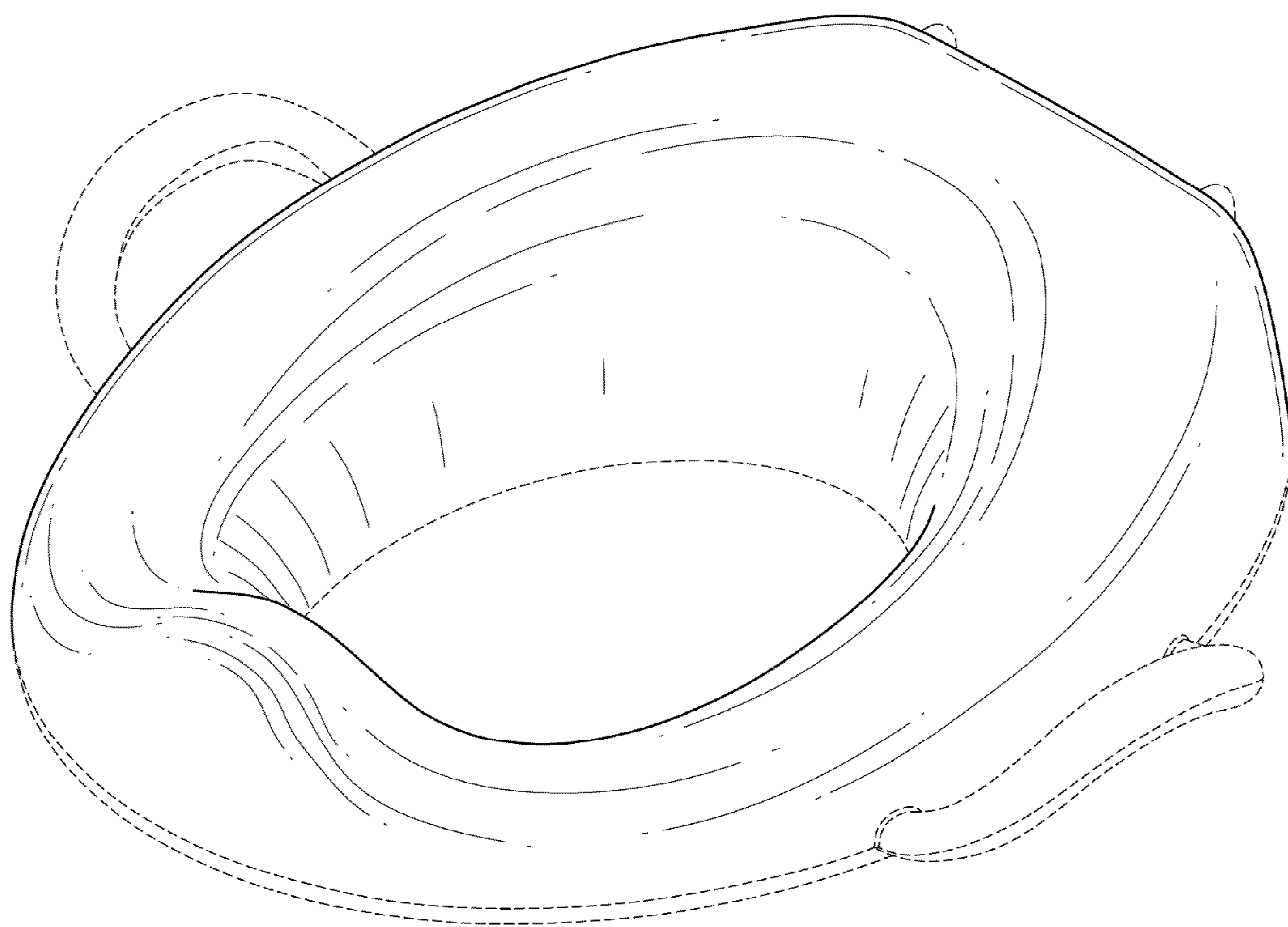


FIG. 1

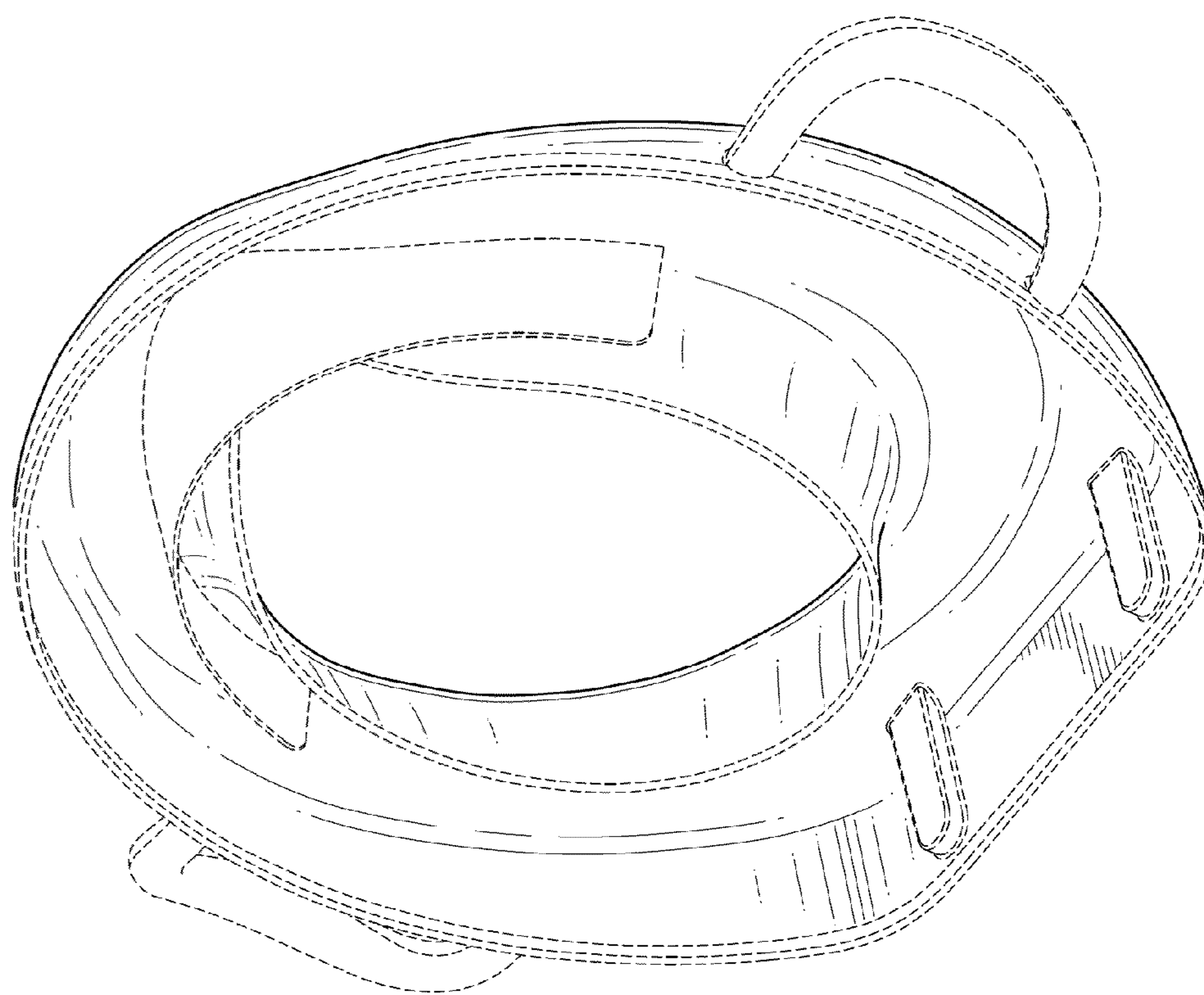


FIG. 2

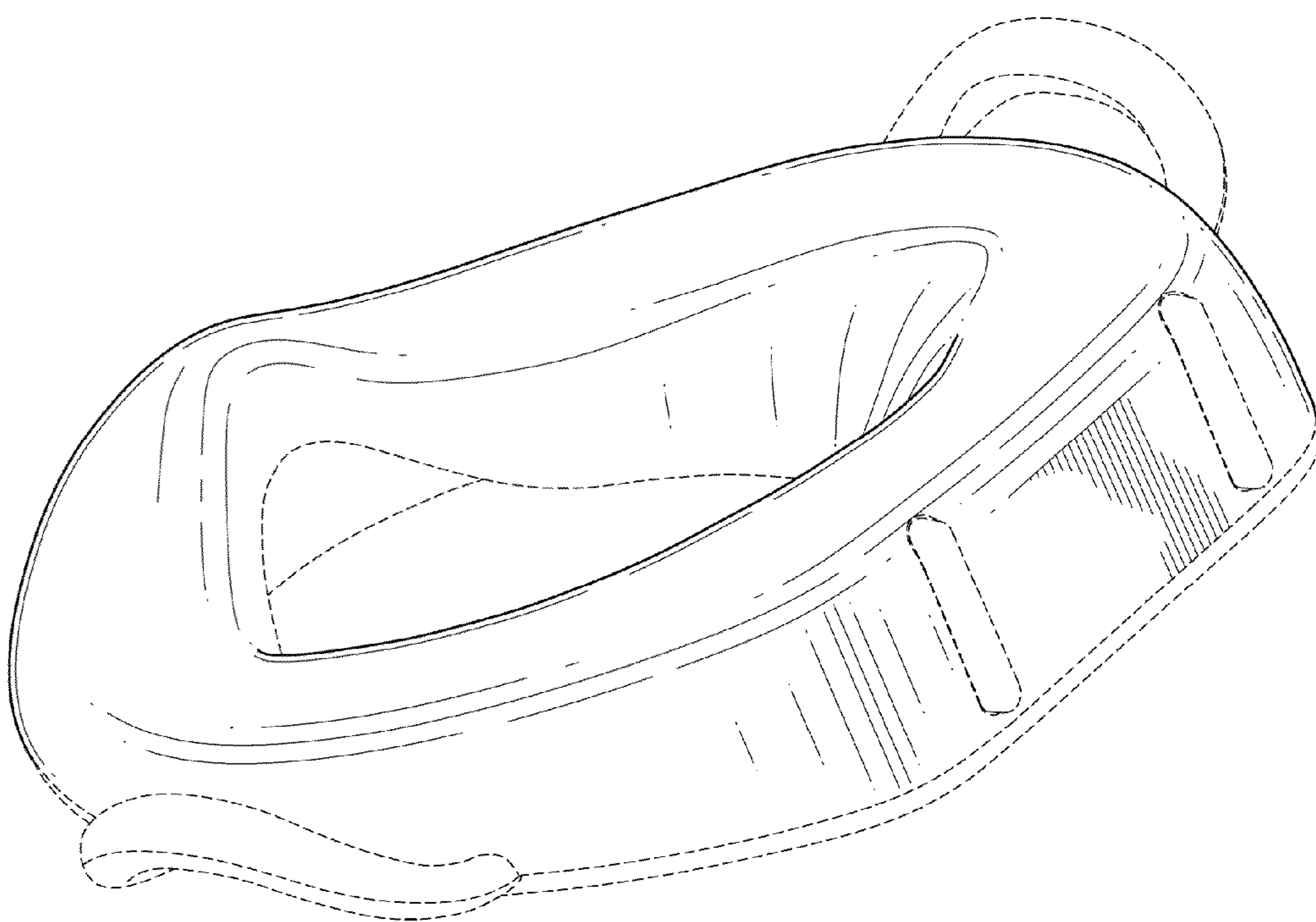


FIG. 3

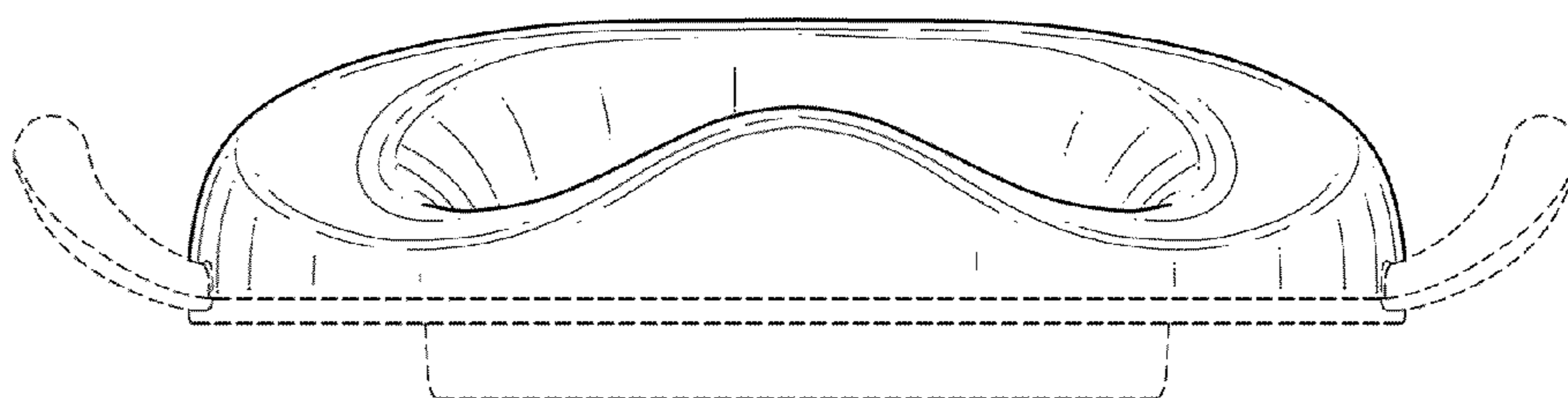


FIG. 4

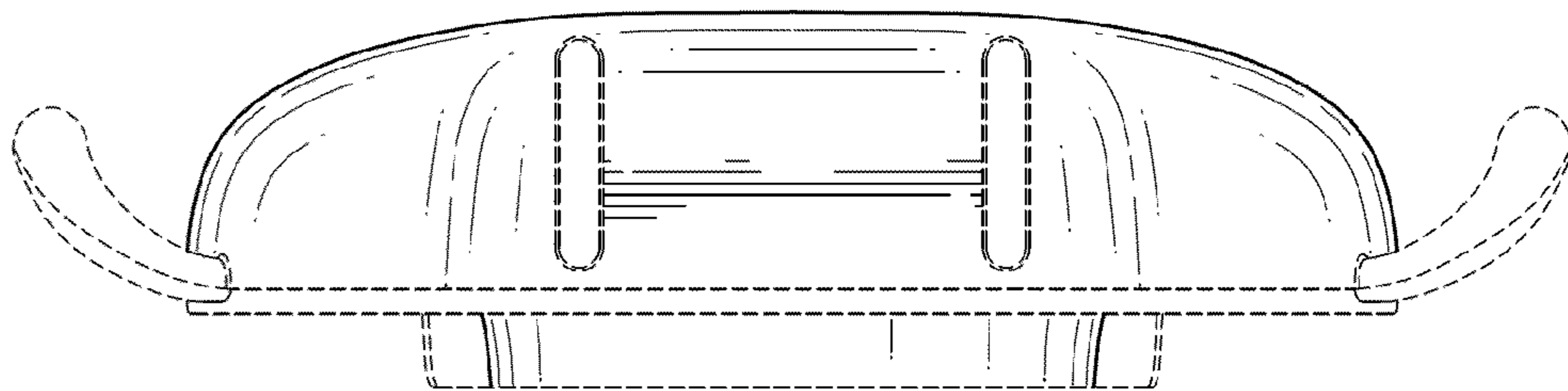


FIG. 5

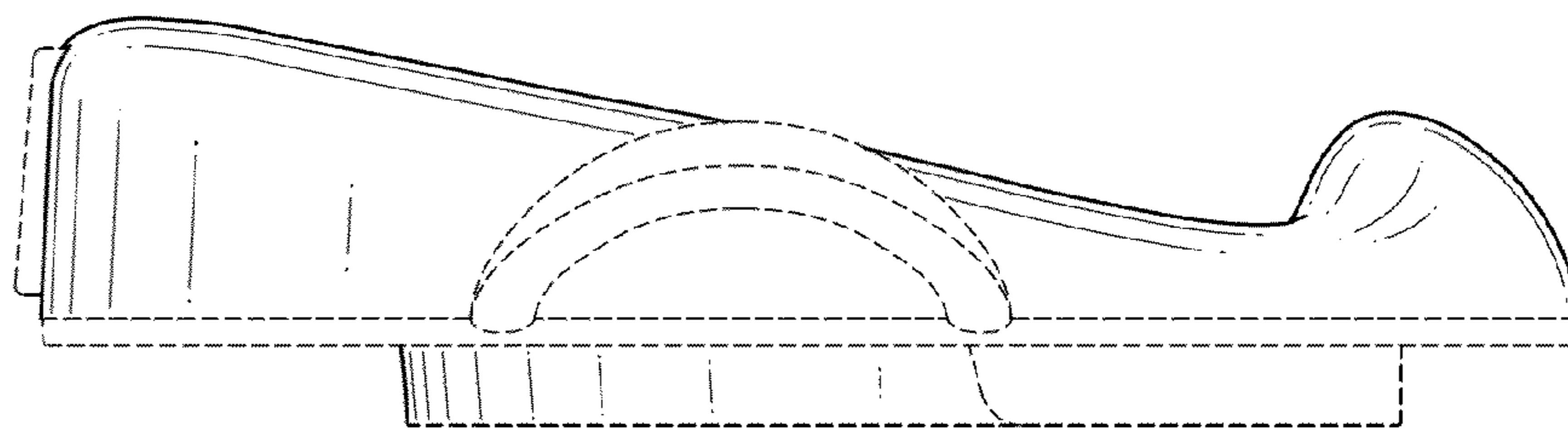


FIG. 6

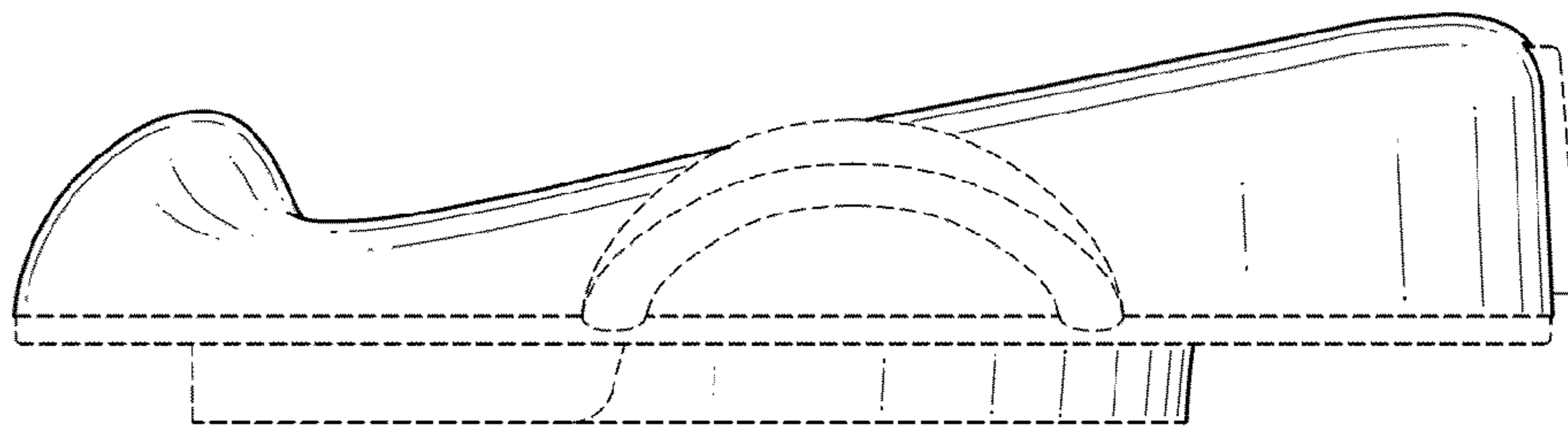


FIG. 7



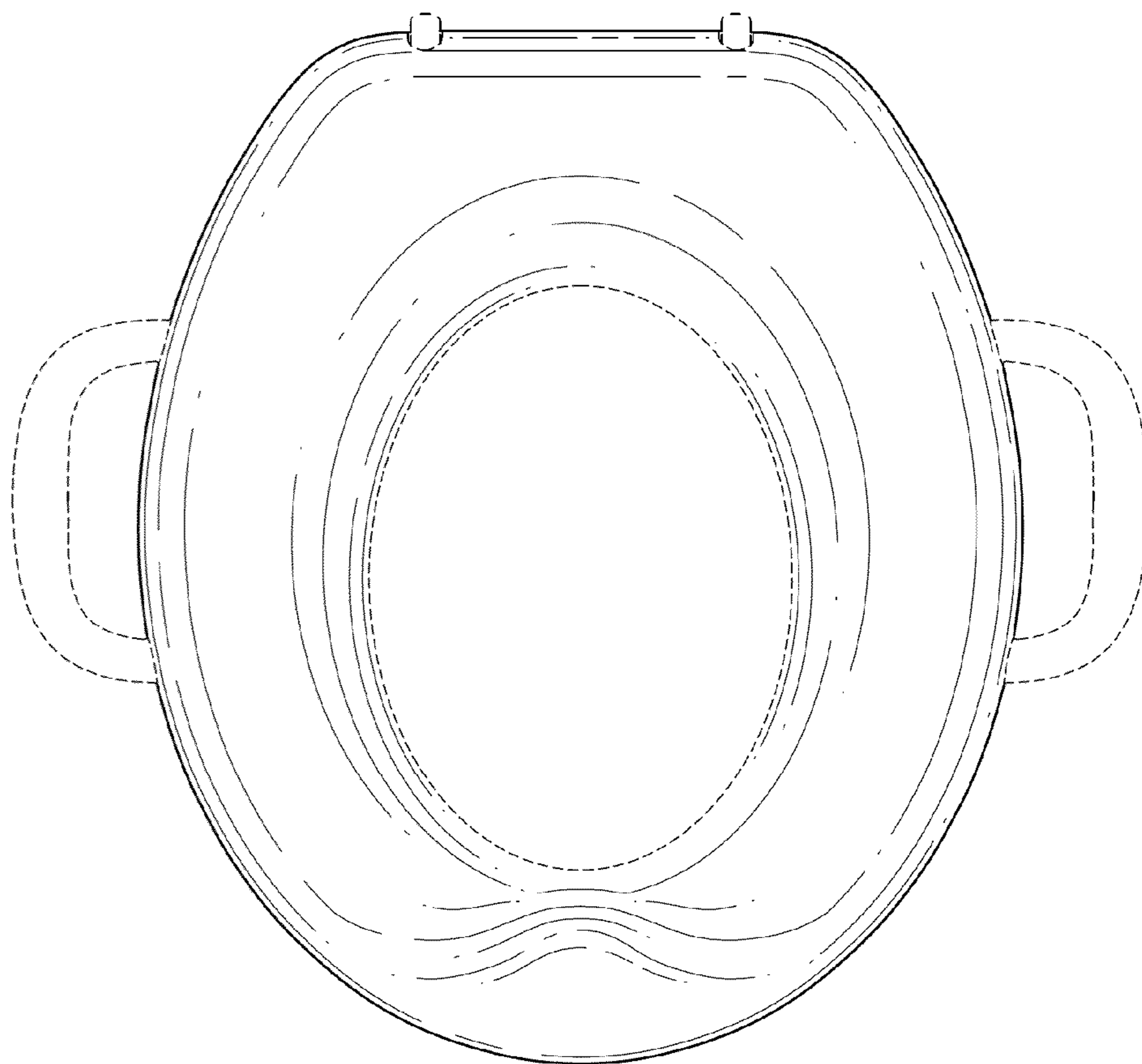


FIG. 8

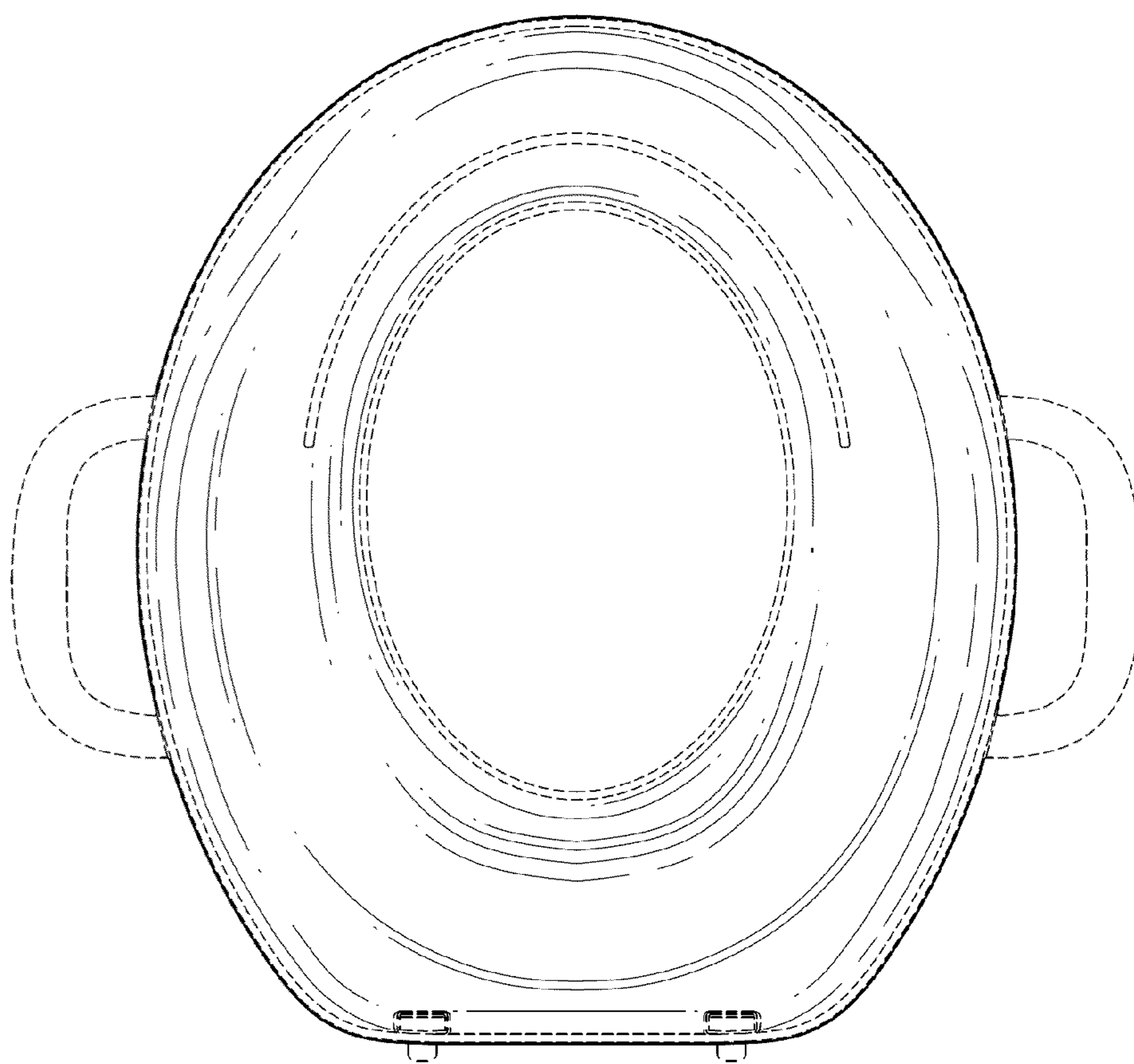


FIG. 9

UNITED STATES PATENT AND TRADEMARK OFFICE  
**CERTIFICATE OF CORRECTION**

PATENT NO. : D724,711 S  
APPLICATION NO. : 29/484852  
DATED : March 17, 2015  
INVENTOR(S) : Peter I. Capraro et al.

Page 1 of 1

It is certified that error appears in the above-identified patent and that said Letters Patent is hereby corrected as shown below:

On the title page Item (57) Claim

delete “, and the ornamental design for a child potty seat, as shown and described in FIGS. 10-18.”

Signed and Sealed this  
Twenty-third Day of June, 2015



Michelle K. Lee  
*Director of the United States Patent and Trademark Office*