



US00D724710S

(12) **United States Design Patent**
Clarke et al.

(10) **Patent No.:** **US D724,710 S**
(45) **Date of Patent:** **** Mar. 17, 2015**

- (54) **LAVATORY**
- (71) Applicant: **Kohler Co.**, Kohler, WI (US)
- (72) Inventors: **Gary N. Clarke**, Sheboygan, WI (US);
Shawn J. Booth, Sheboygan, WI (US)
- (73) Assignee: **Kohler Co.**, Kohler, WI (US)
- (**) Term: **14 Years**
- (21) Appl. No.: **29/501,959**
- (22) Filed: **Sep. 10, 2014**

Related U.S. Application Data

- (62) Division of application No. 29/480,936, filed on Jan. 30, 2014.
- (51) **LOC (10) Cl.** **23-02**
- (52) **U.S. Cl.**
USPC **D23/293.1**
- (58) **Field of Classification Search**
USPC D23/284, 291-292, 293.1, 303, 308,
D23/286; 4/619, 640, 650, 661, 643, 646
See application file for complete search history.

(56) **References Cited**

U.S. PATENT DOCUMENTS

D416,991 S	11/1999	Caplow
D499,797 S	12/2004	Bates
D500,128 S	12/2004	Bates
D500,129 S	12/2004	Bates
D530,409 S	10/2006	Sutopo
D538,903 S	3/2007	Paterson
D560,778 S	1/2008	Paterson
D588,242 S	3/2009	Hanna
D645,125 S	9/2011	Palomba et al.
D687,529 S	8/2013	Stauffer

Primary Examiner — Robert Delehanty
(74) *Attorney, Agent, or Firm* — Foley & Lardner LLP

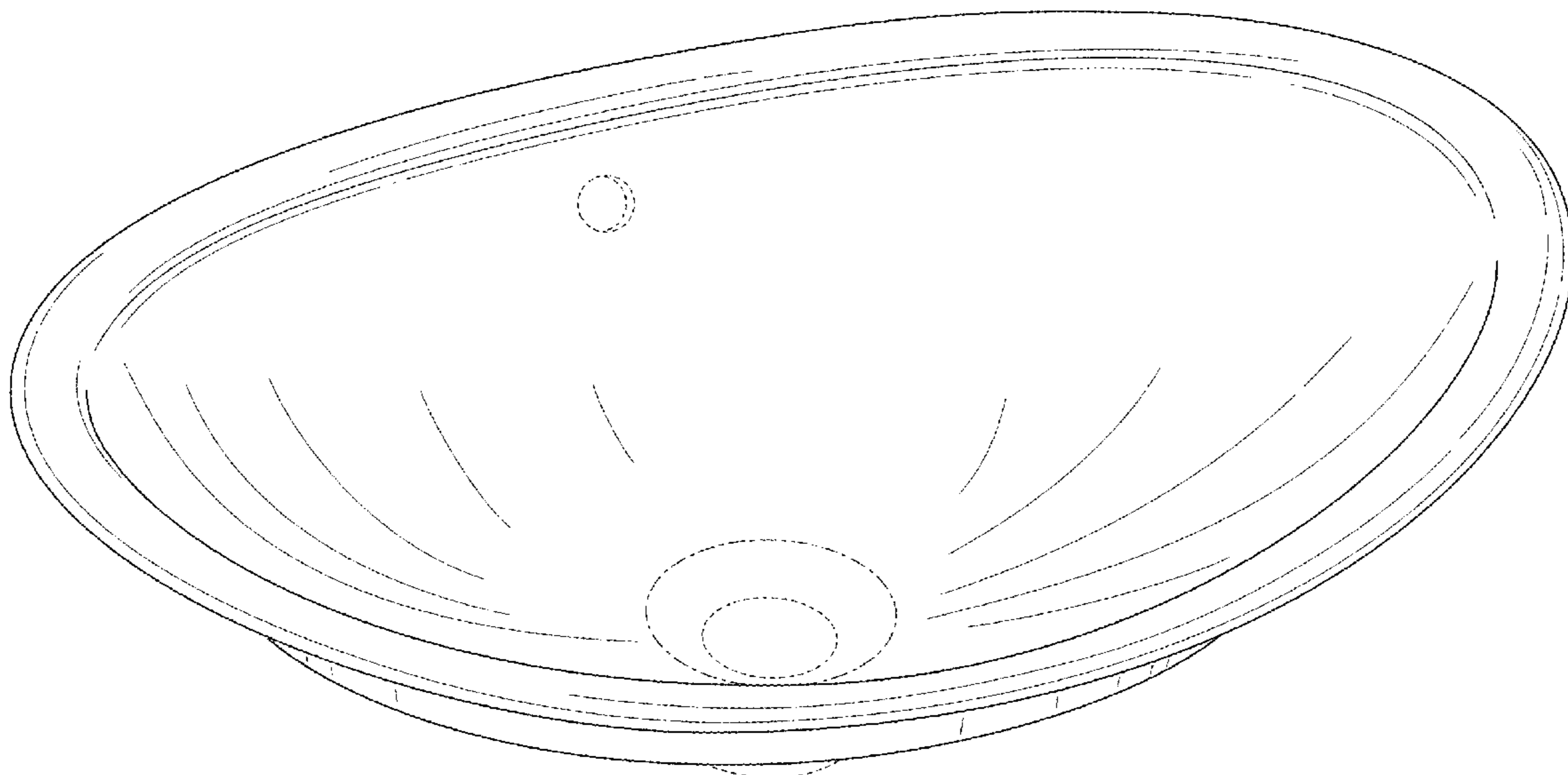
(57) **CLAIM**
We claim the ornamental design for a lavatory, as shown and described.

DESCRIPTION

FIG. 1 is a top perspective view of an embodiment of the claimed design;
 FIG. 2 is a top view of the embodiment of the claimed design shown in FIG. 1;
 FIG. 3 is a bottom view of the embodiment of the claimed design shown in FIG. 1;
 FIG. 4 is a front view of the embodiment of the claimed design shown in FIG. 1;
 FIG. 5 is a rear view of the embodiment of the claimed design shown in FIG. 1;
 FIG. 6 is a side view of the embodiment of the claimed design shown in FIG. 1;
 FIG. 7 is another side view of the embodiment of the claimed design shown in FIG. 1;
 FIG. 8 is a cross-section view of the embodiment of the claimed design shown in FIG. 1; and,
 FIG. 9 is a second cross-section view of the embodiment of the claimed design shown in FIG. 1.

The ornamental design which is claimed is shown in solid lines in the drawings. The broken lines in the drawings are for illustrative purposes only and form no part of the claimed design. Broken lines formed by equal length dashes show unclaimed portions of the design. Broken lines formed of unequal length dashes (i.e., dash-dot) show boundaries between claimed and unclaimed portions of the design.

1 Claim, 9 Drawing Sheets



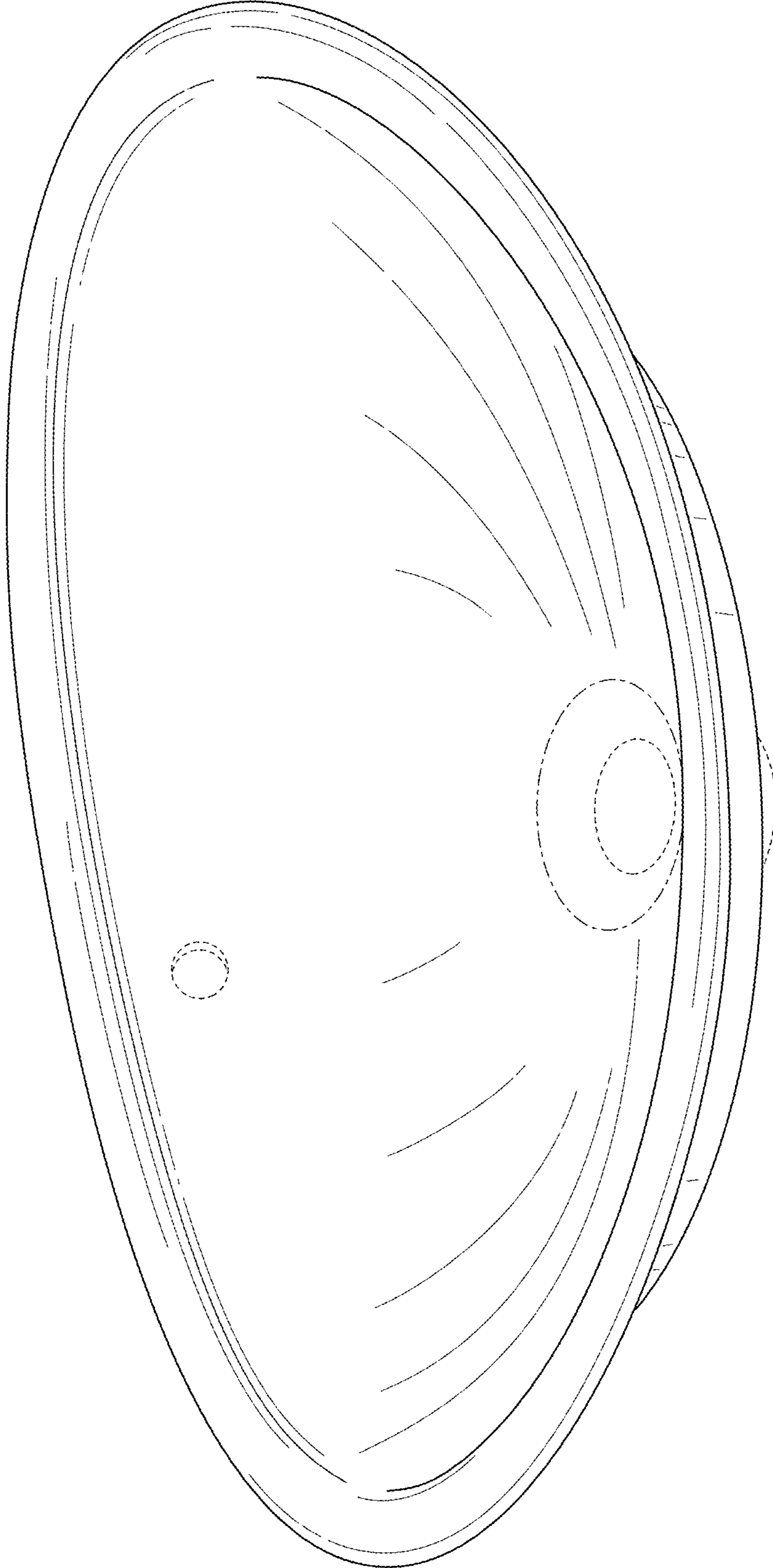


FIG. 1

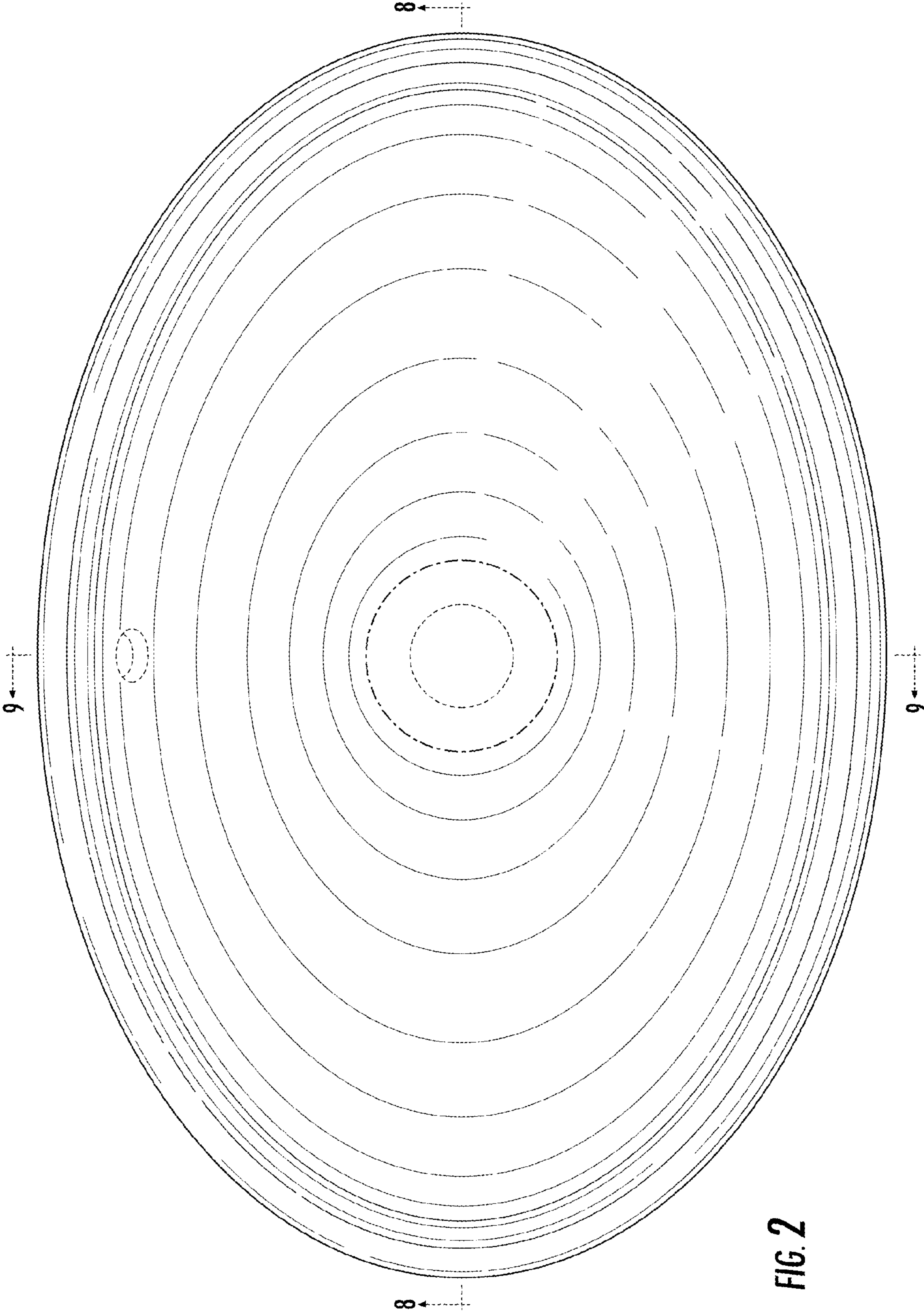


FIG. 2

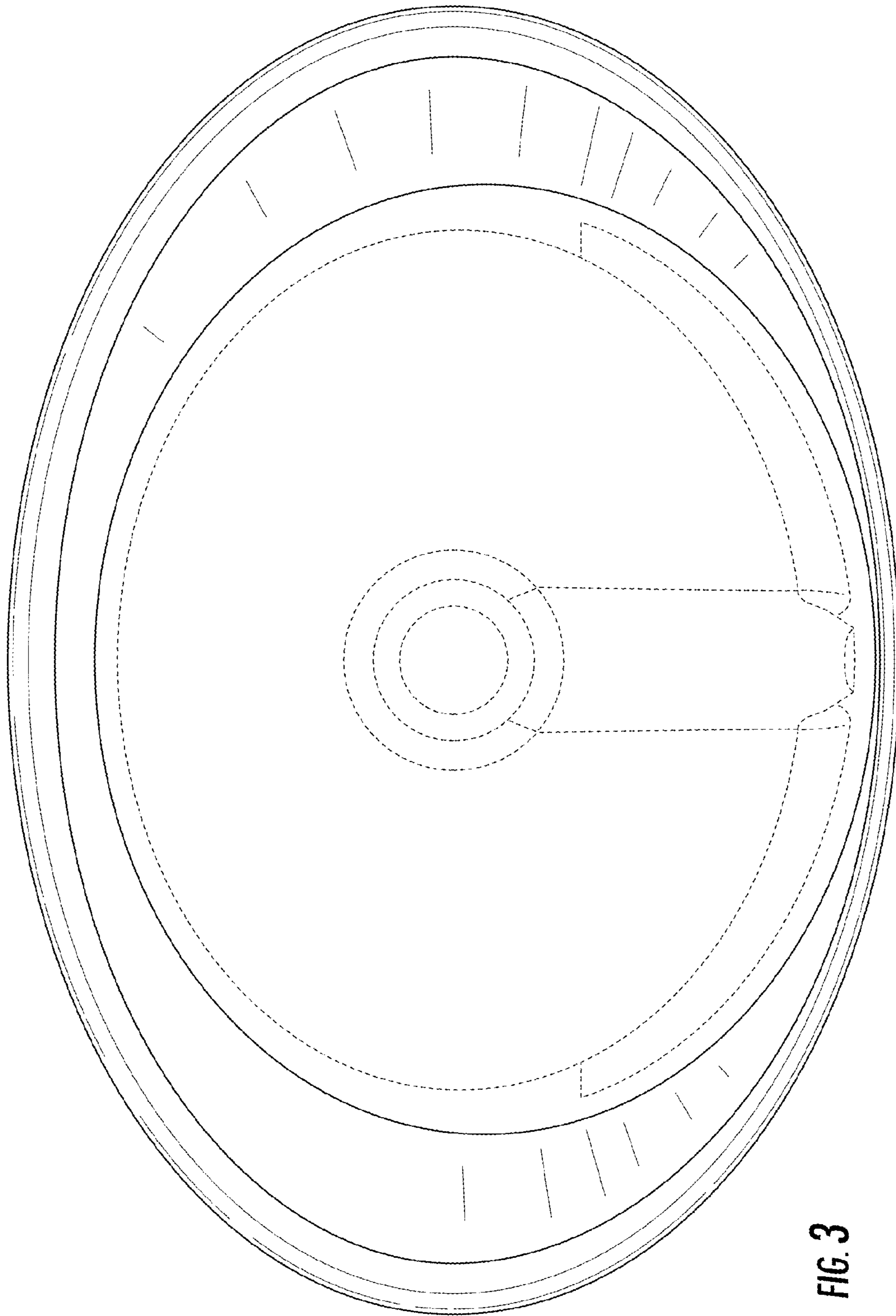


FIG. 3

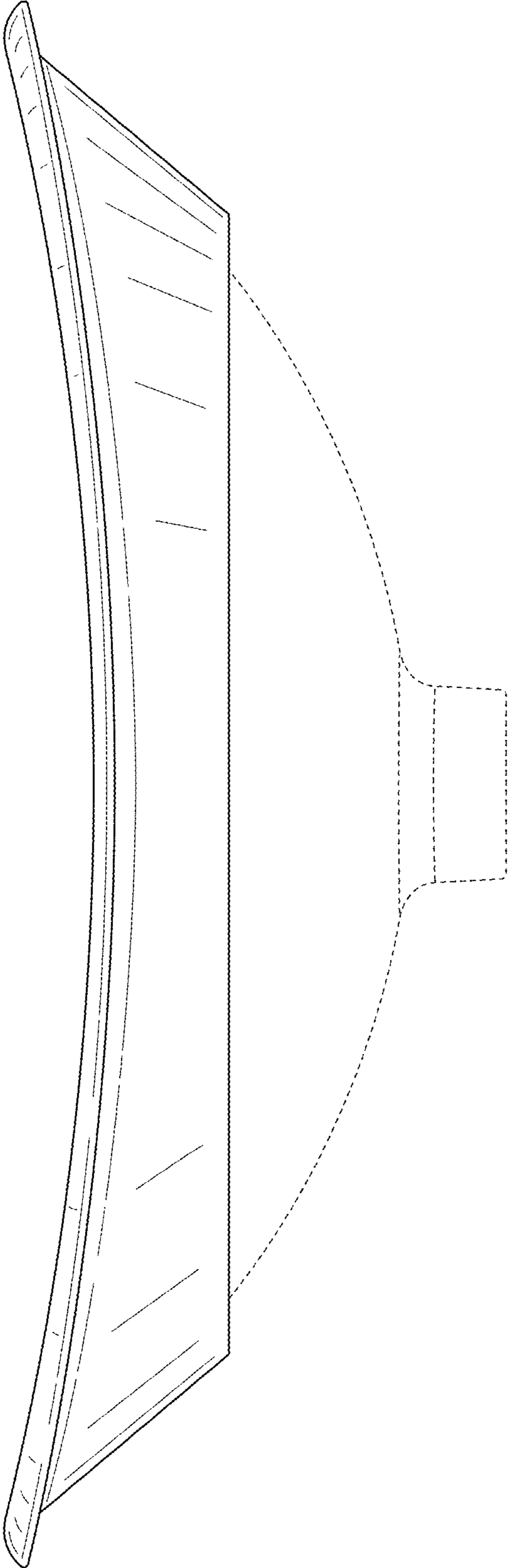


FIG. 4

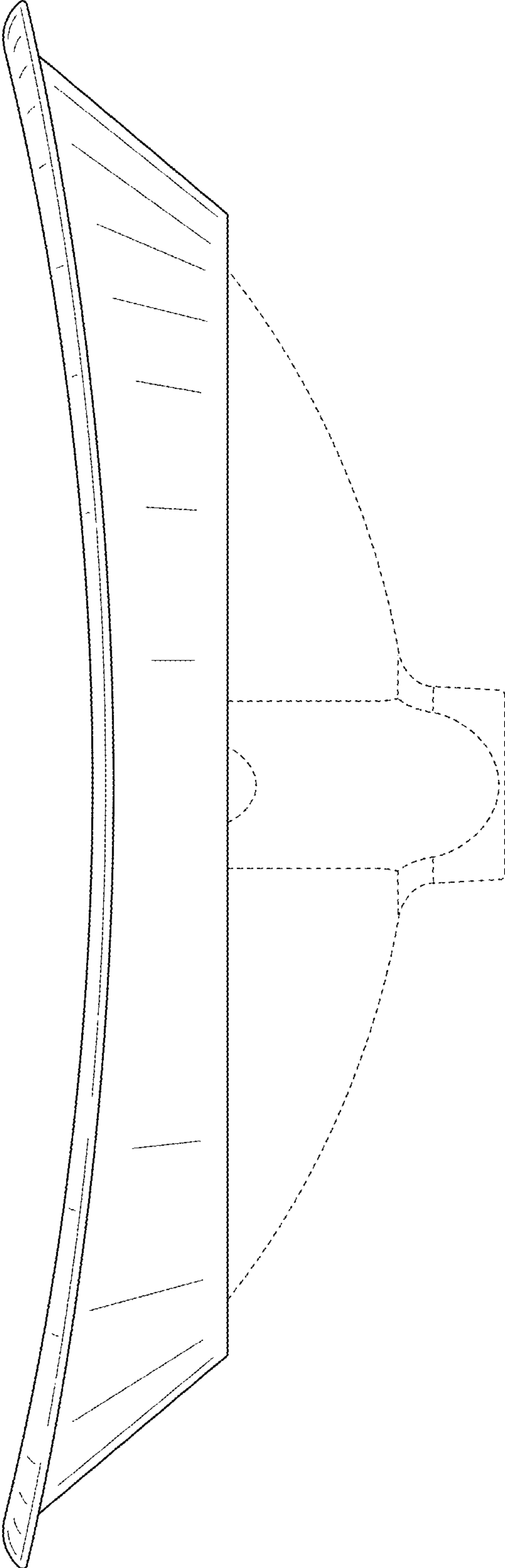


FIG. 5

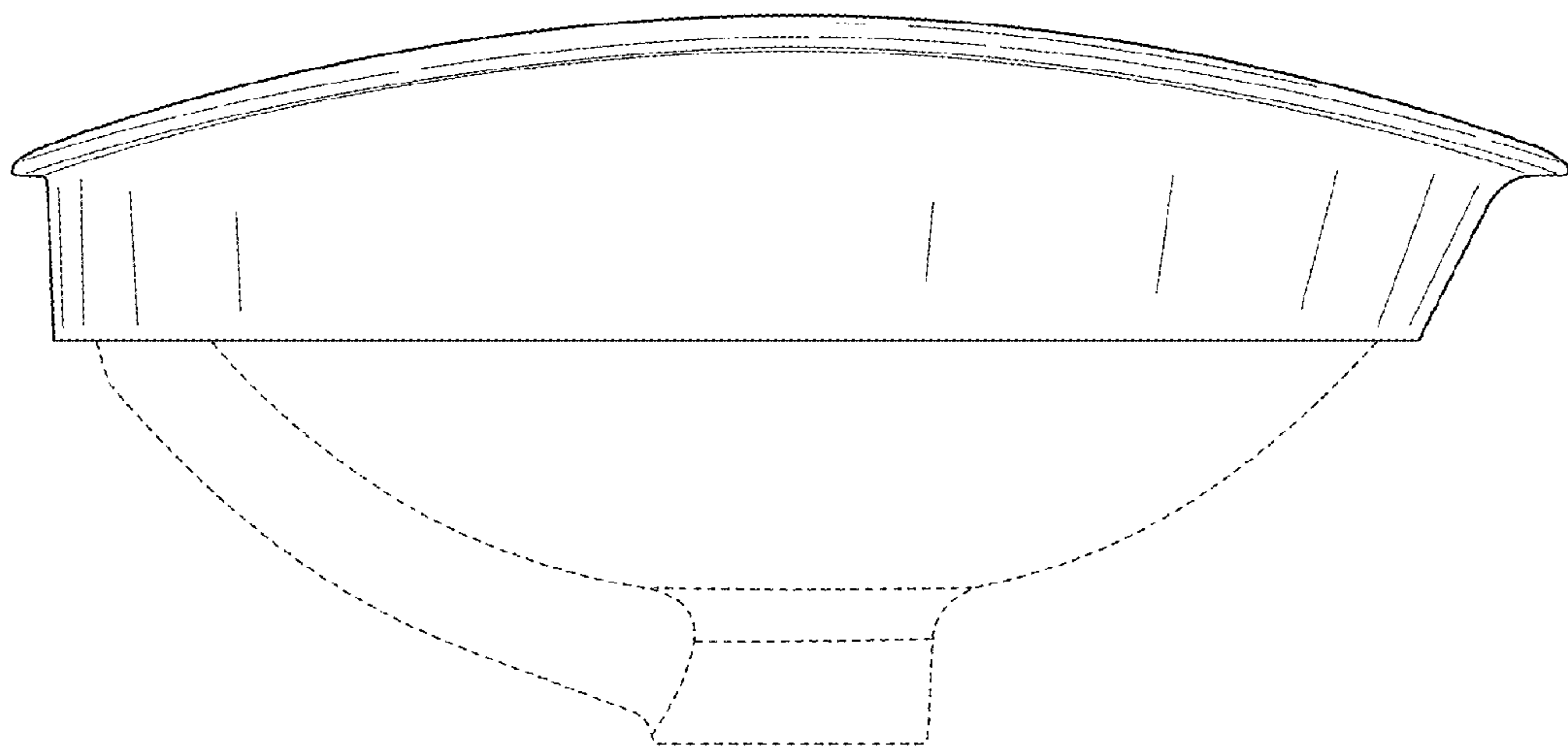


FIG. 6

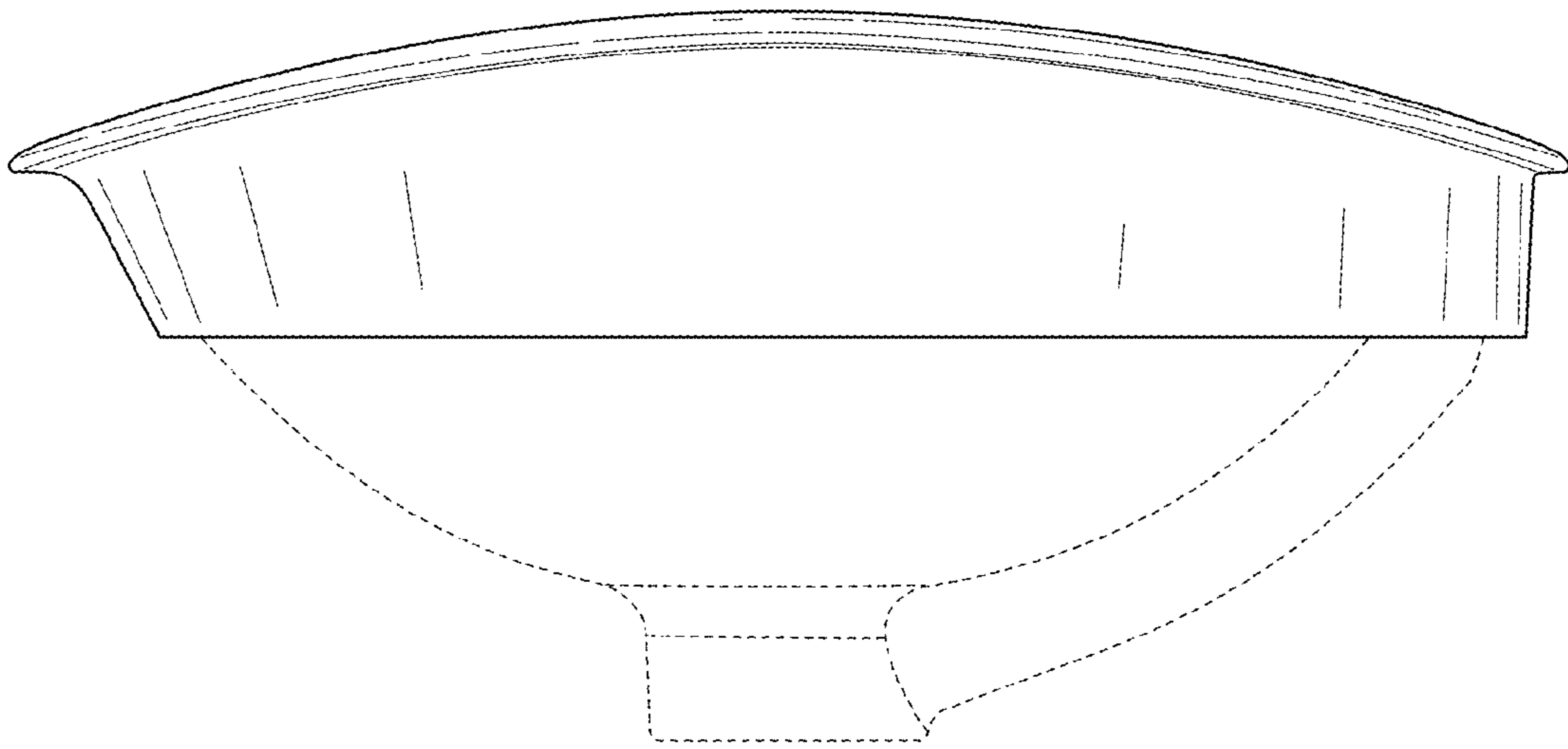


FIG. 7

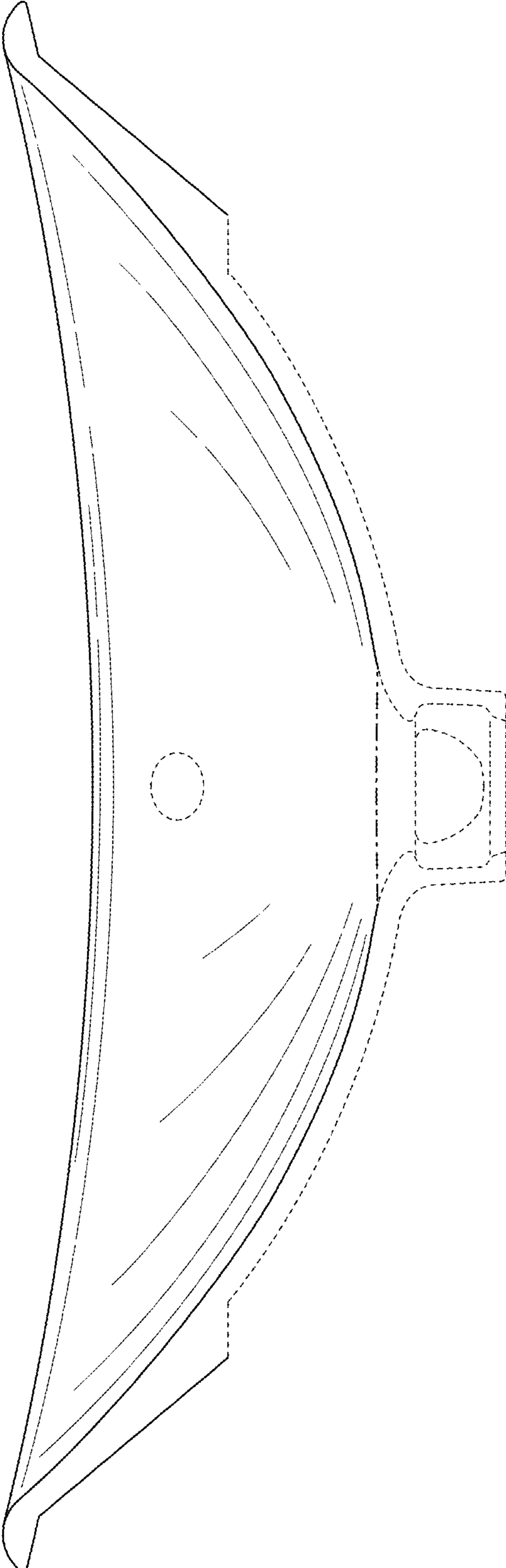


FIG. 8

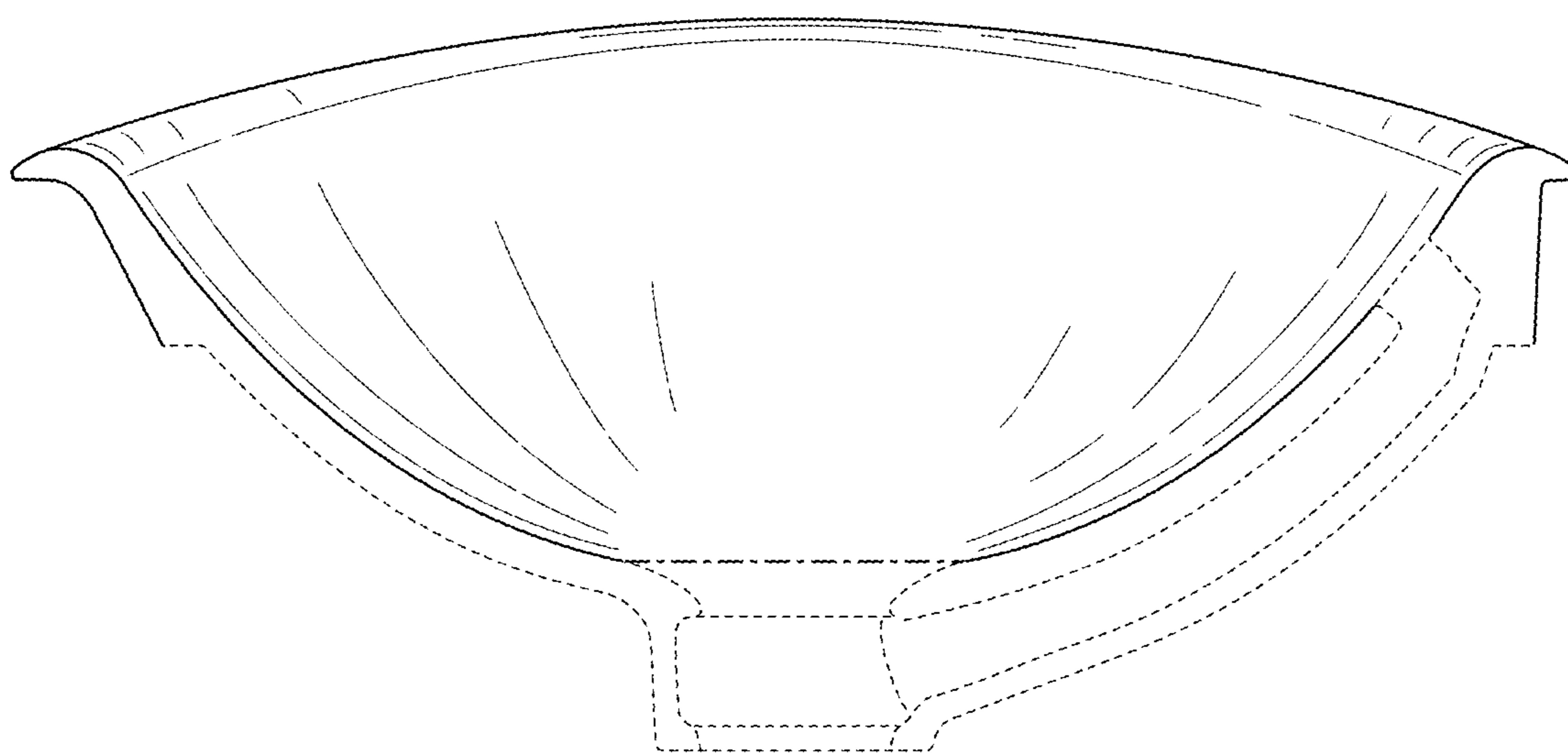


FIG. 9