

US00D724709S

(12) **United States Design Patent**
Macey

(10) **Patent No.:** **US D724,709 S**
(45) **Date of Patent:** **** Mar. 17, 2015**

- (54) **SINK**
- (71) Applicant: **Franke Technology and Trademark Ltd.**, Hergiswil (CH)
- (72) Inventor: **Cory Macey**, Midland, CA (US)
- (73) Assignee: **Franke Technology and Trademark Ltd.**, Hergiswil (CH)
- (**) Term: **14 Years**
- (21) Appl. No.: **29/501,544**
- (22) Filed: **Sep. 5, 2014**

Related U.S. Application Data

- (62) Division of application No. 29/492,049, filed on May 28, 2014, now Pat. No. Des. 715,903, which is a division of application No. 29/483,458, filed on Feb. 28, 2014, now Pat. No. Des. 715,413, which is a division of application No. 29/449,544, filed on Mar. 15, 2013, now Pat. No. Des. 708,305.
- (51) **LOC (10) Cl.** **23-02**
- (52) **U.S. Cl.**
USPC **D23/284**
- (58) **Field of Classification Search**
USPC D23/272-274, 284, 286, 292-293.1, D23/303, 308; 4/619; D24/183, 185, 234
See application file for complete search history.

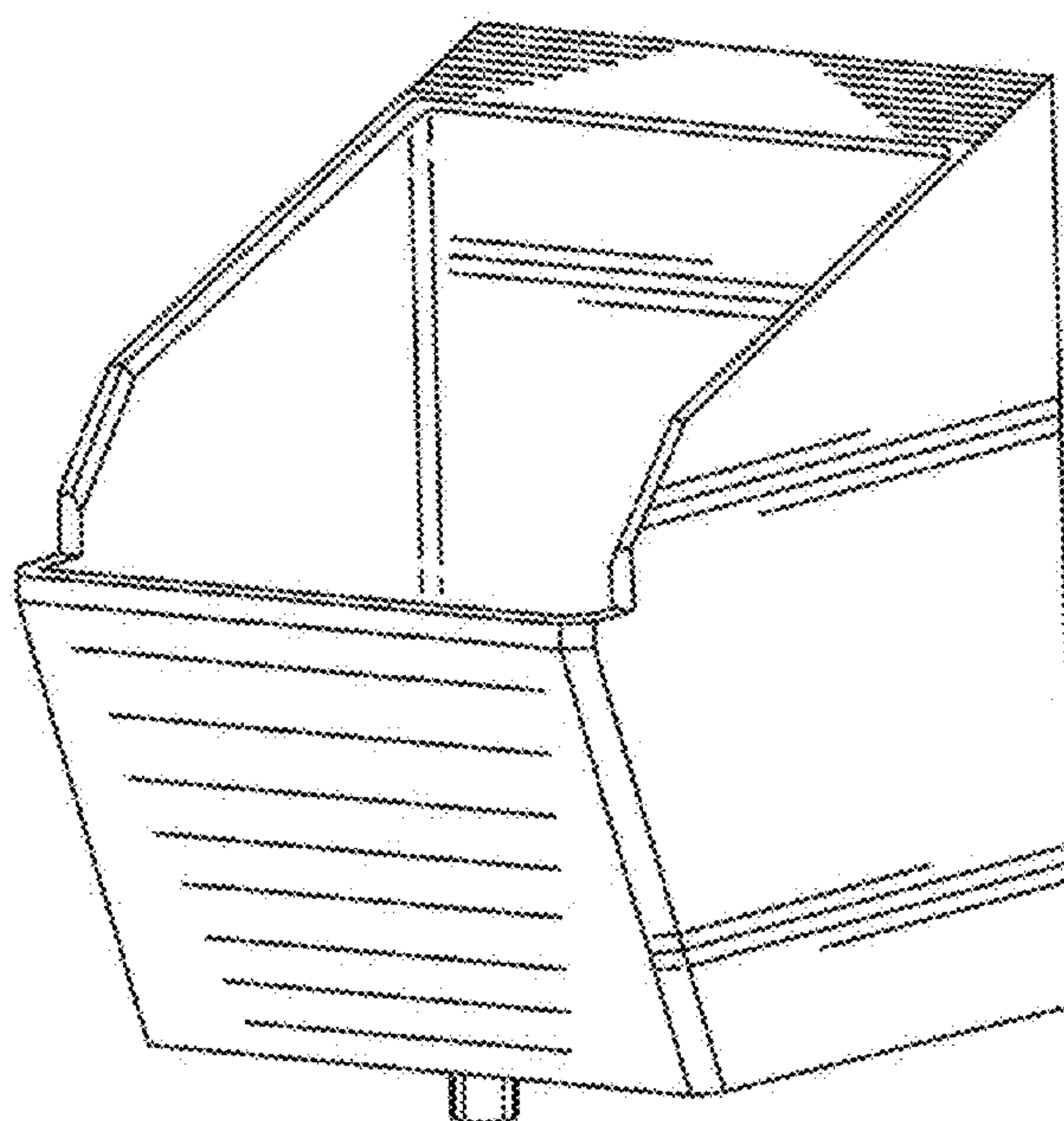
- (56) **References Cited**
U.S. PATENT DOCUMENTS
D119,298 S * 3/1940 Bales D23/291
D119,299 S * 3/1940 Bales D23/291
D244,030 S * 4/1977 Tongish D23/284
D246,315 S * 11/1977 Tongish D23/271
D255,923 S * 7/1980 Rosenkranz D23/284
D321,931 S * 11/1991 Dierkes D23/293.1
* cited by examiner
Primary Examiner — Robert Delehanty
(74) *Attorney, Agent, or Firm* — Marks & Clerk;
Jean-Charles Grégoire

(57) **CLAIM**
The ornamental design for a sink, as shown and described.

DESCRIPTION

FIG. 1 is a front perspective view of a sink according to a first embodiment;
FIG. 2 is a front view thereof;
FIG. 3 is a rear view thereof;
FIG. 4 is a left-side view thereof;
FIG. 5 is a right-side view thereof;
FIG. 6 is a top view thereof;
FIG. 7 is a bottom view thereof;
FIG. 8 is a cross-sectional view along line 8-8 of FIG. 6;
FIG. 9 is a rear perspective view thereof; and,
FIG. 10 is a front view of a sink according to a second embodiment.

1 Claim, 7 Drawing Sheets



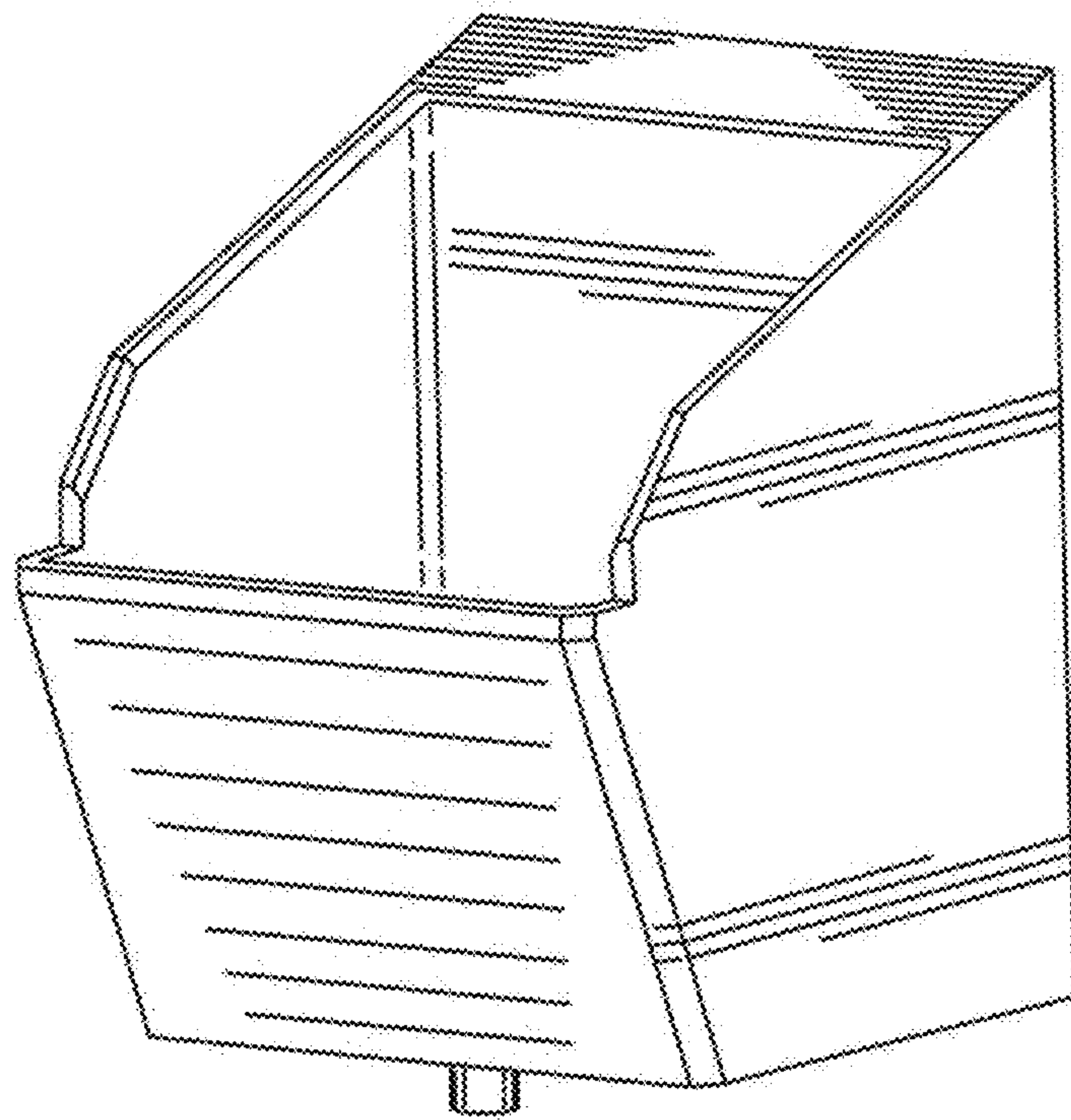


FIG. 1

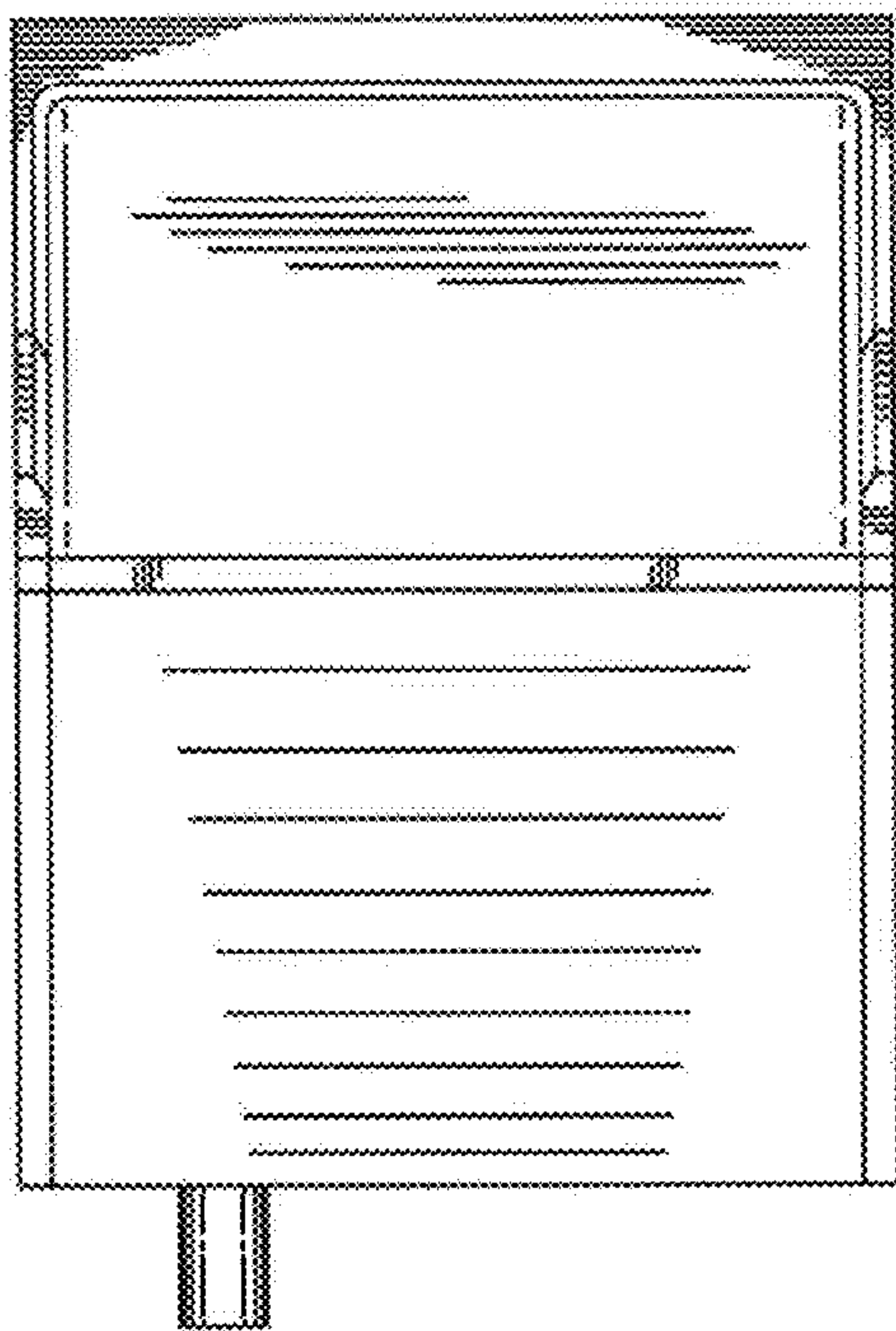


FIG. 2

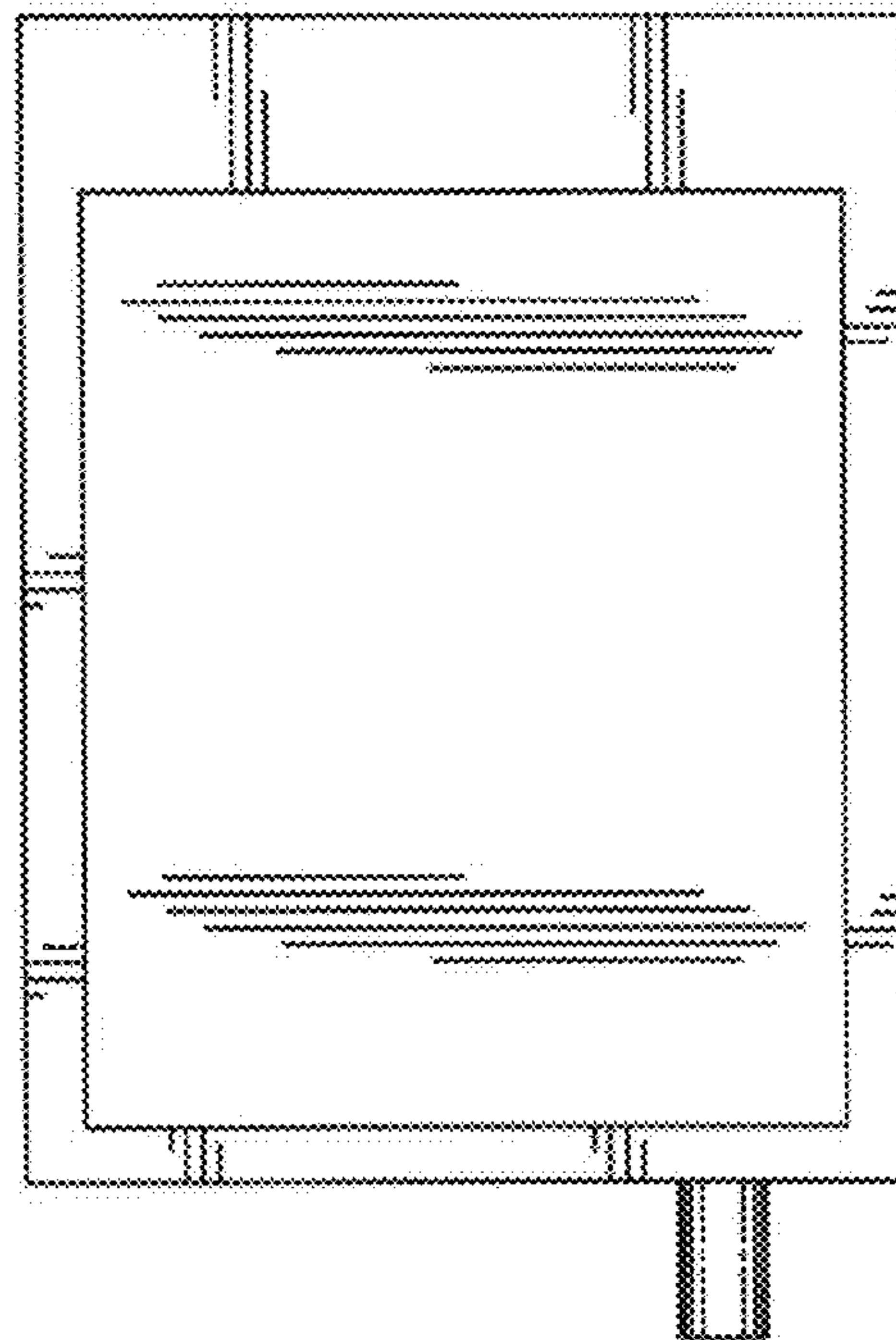


FIG. 3

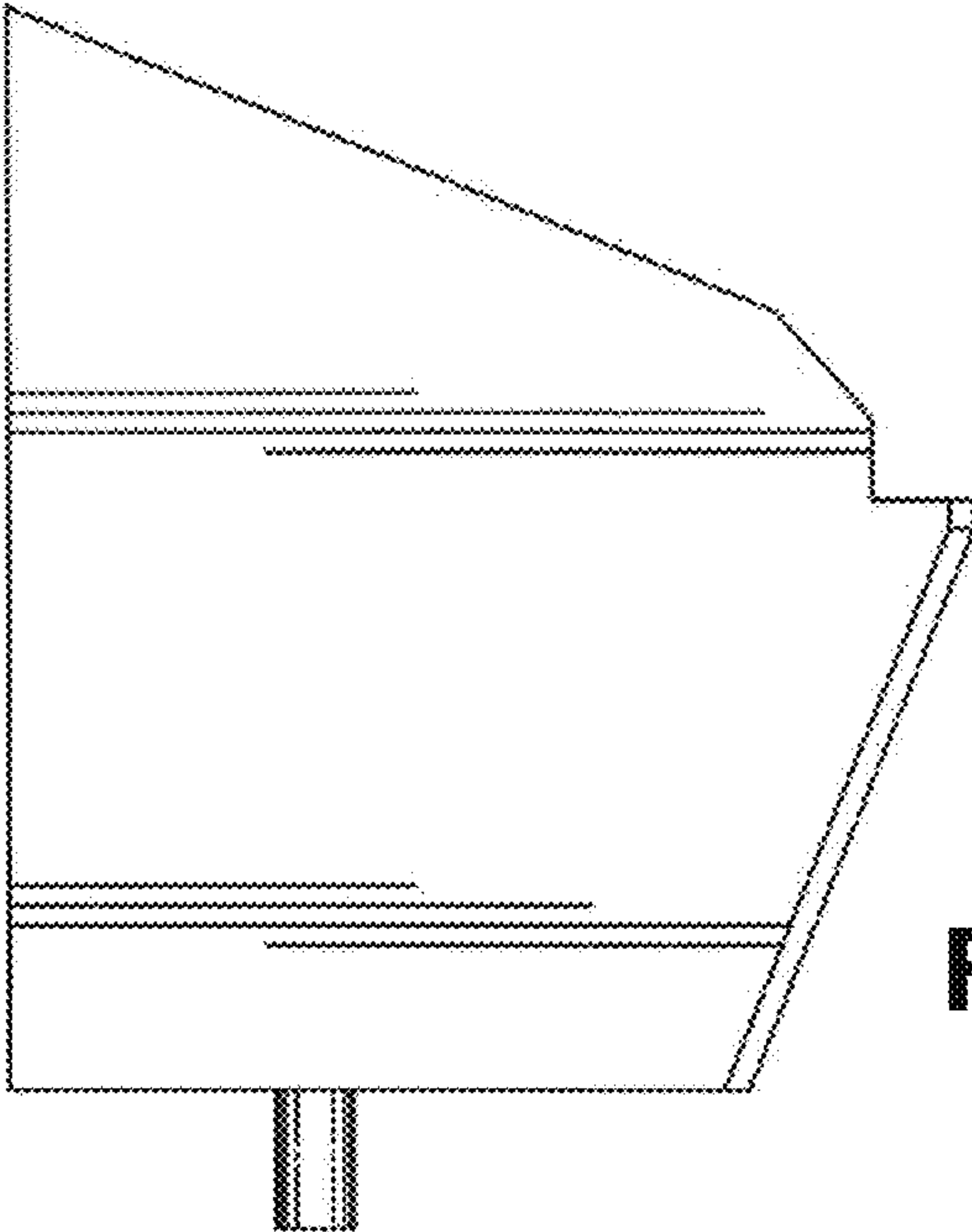


FIG. 4

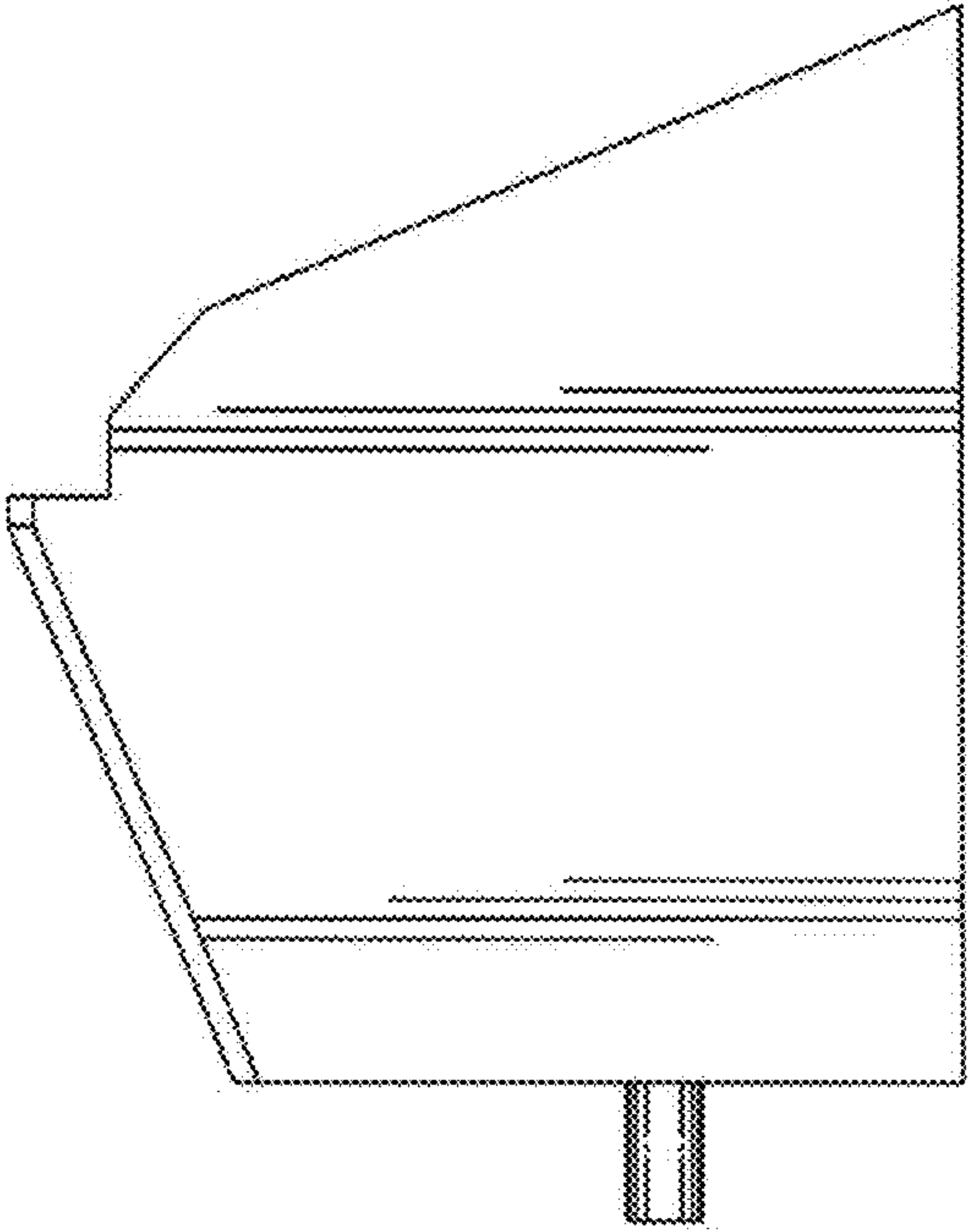


FIG. 5

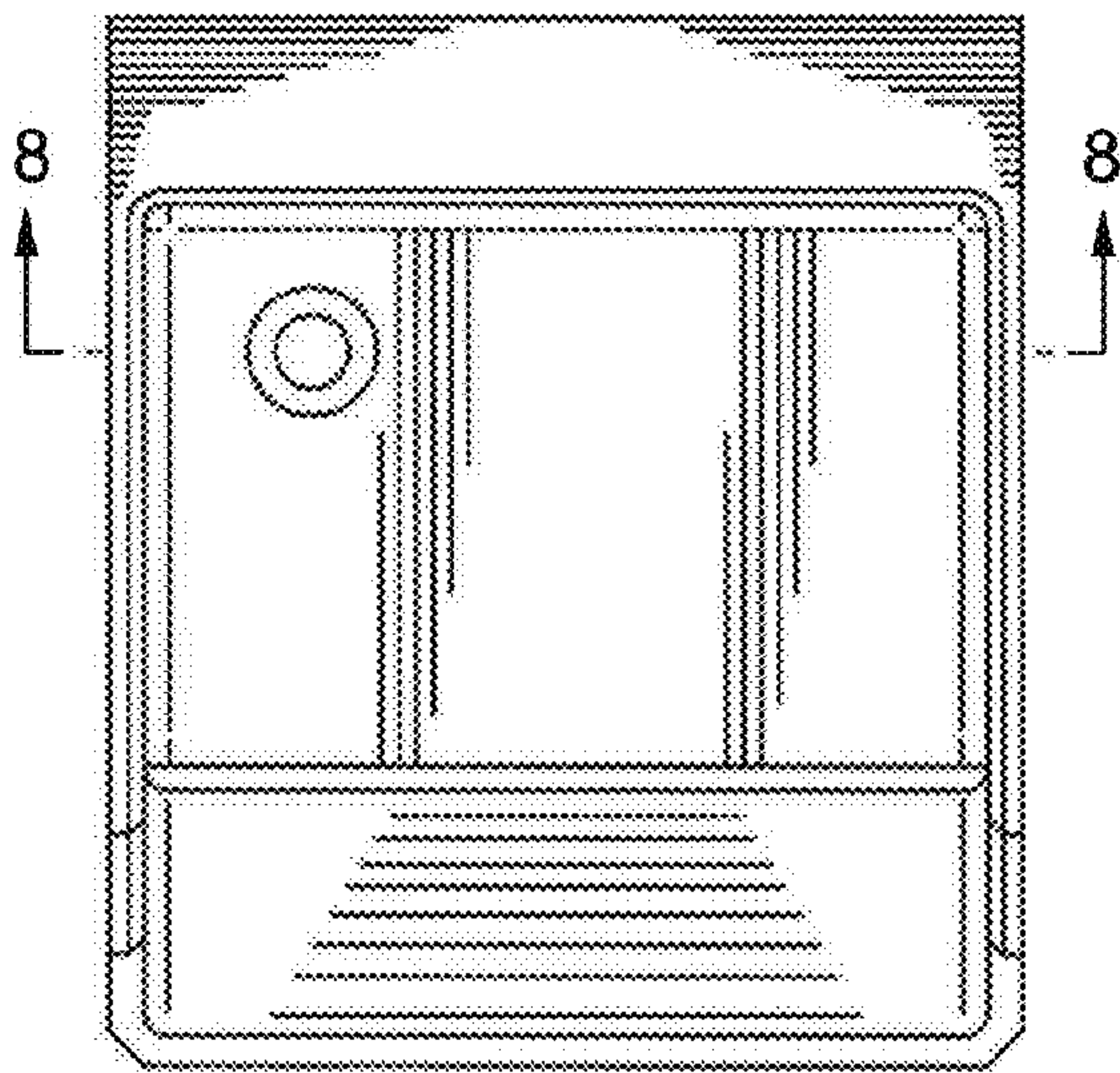


FIG. 6

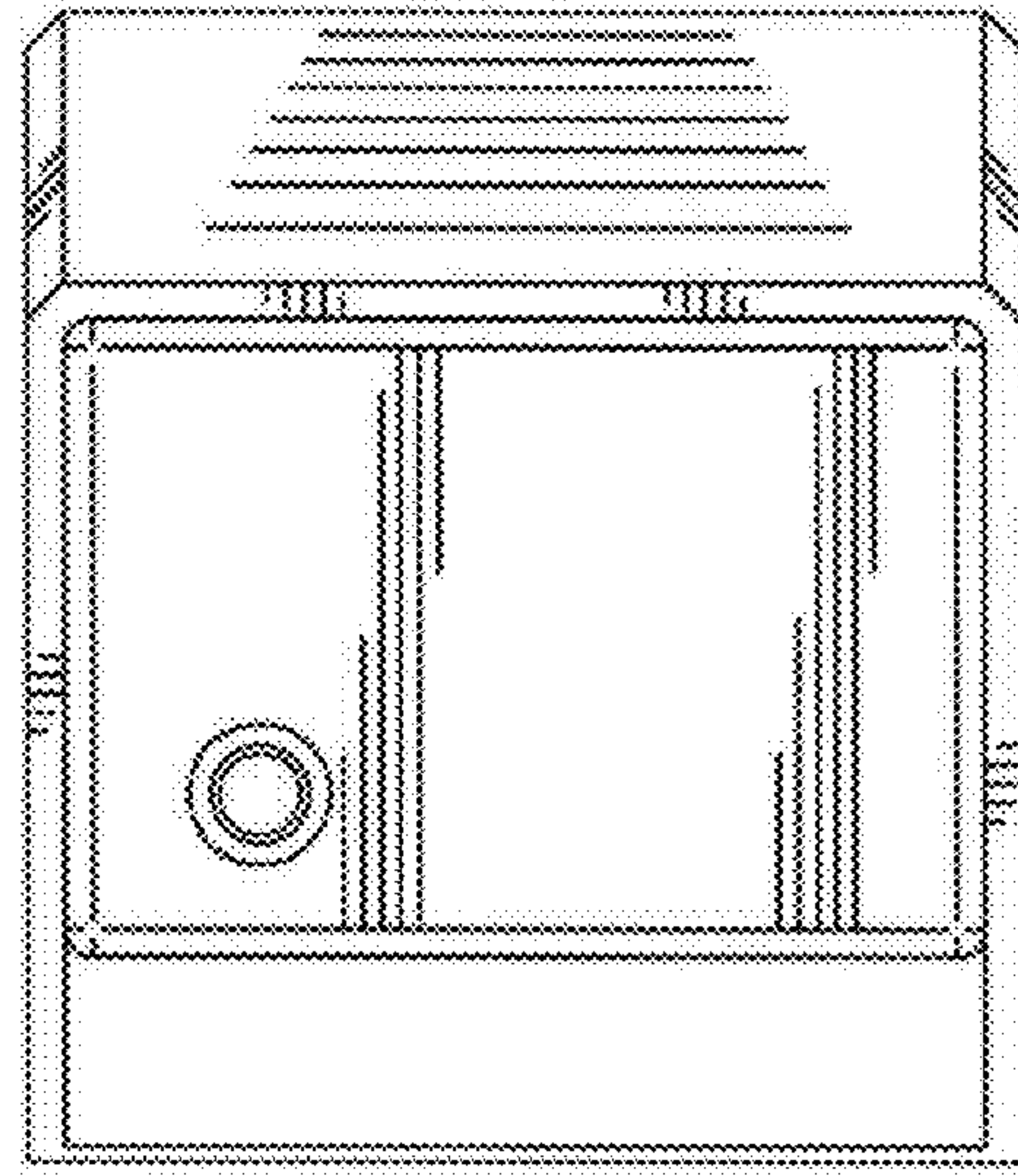


FIG. 7

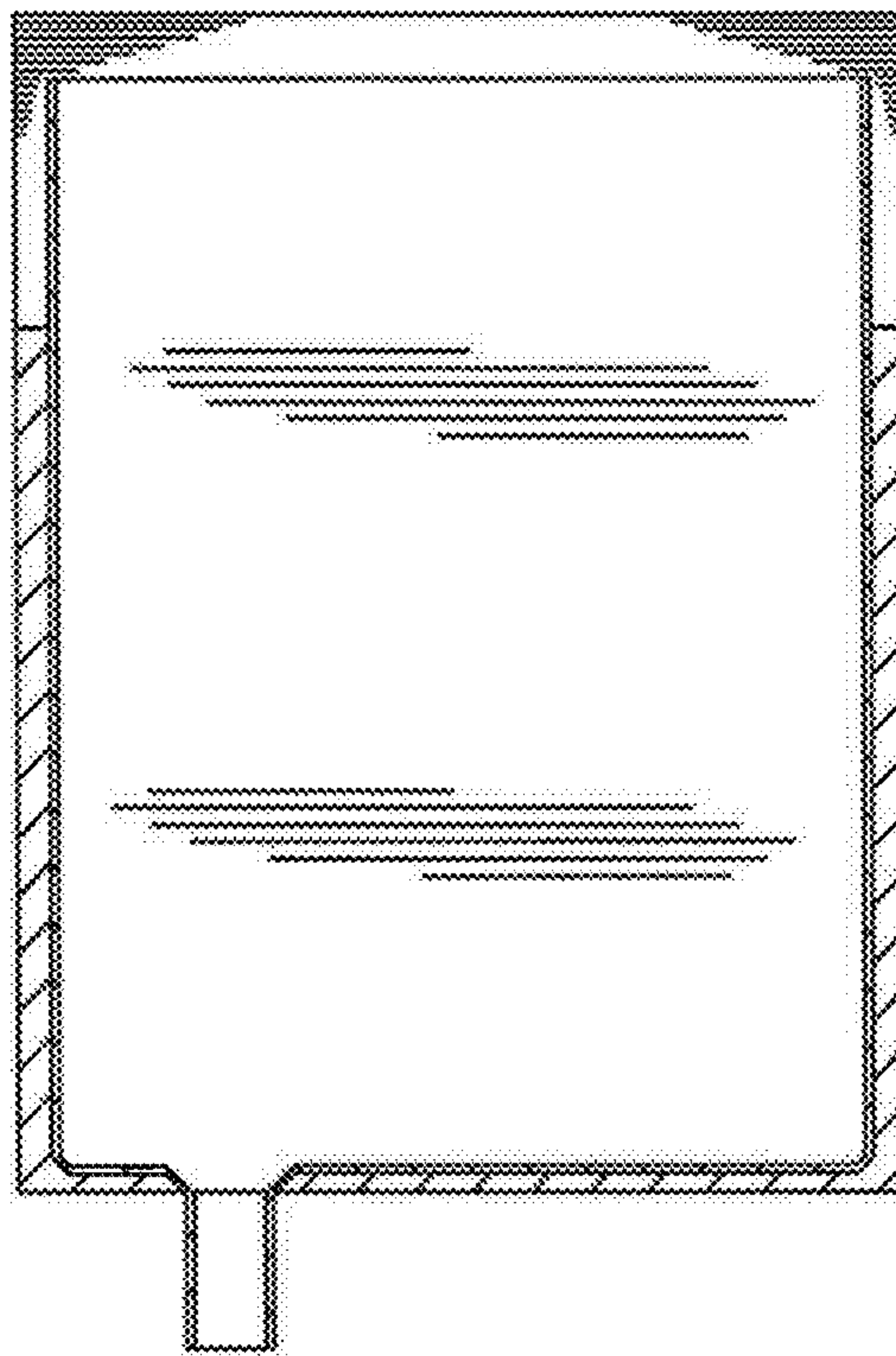


FIG. 8

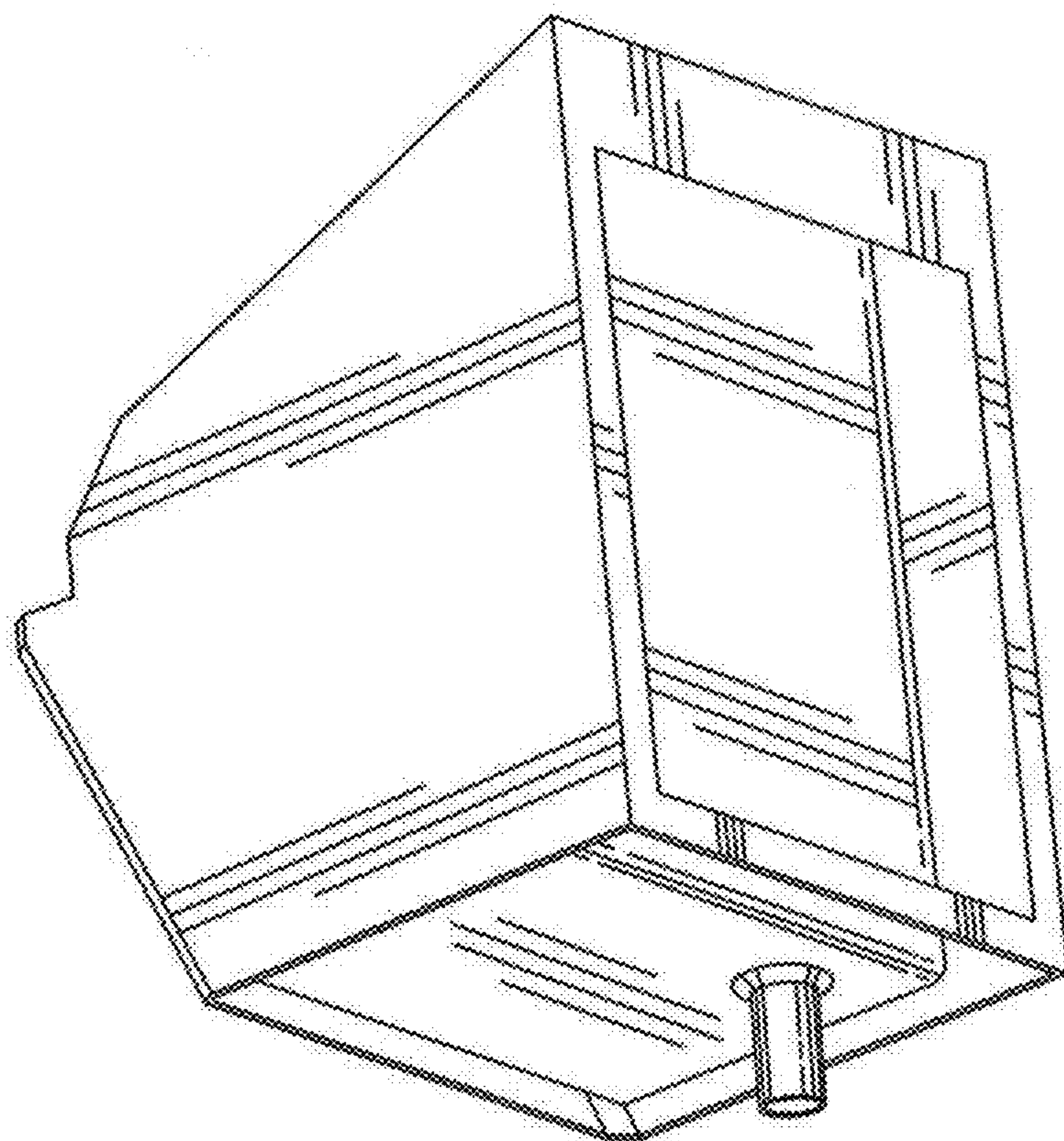


FIG. 9

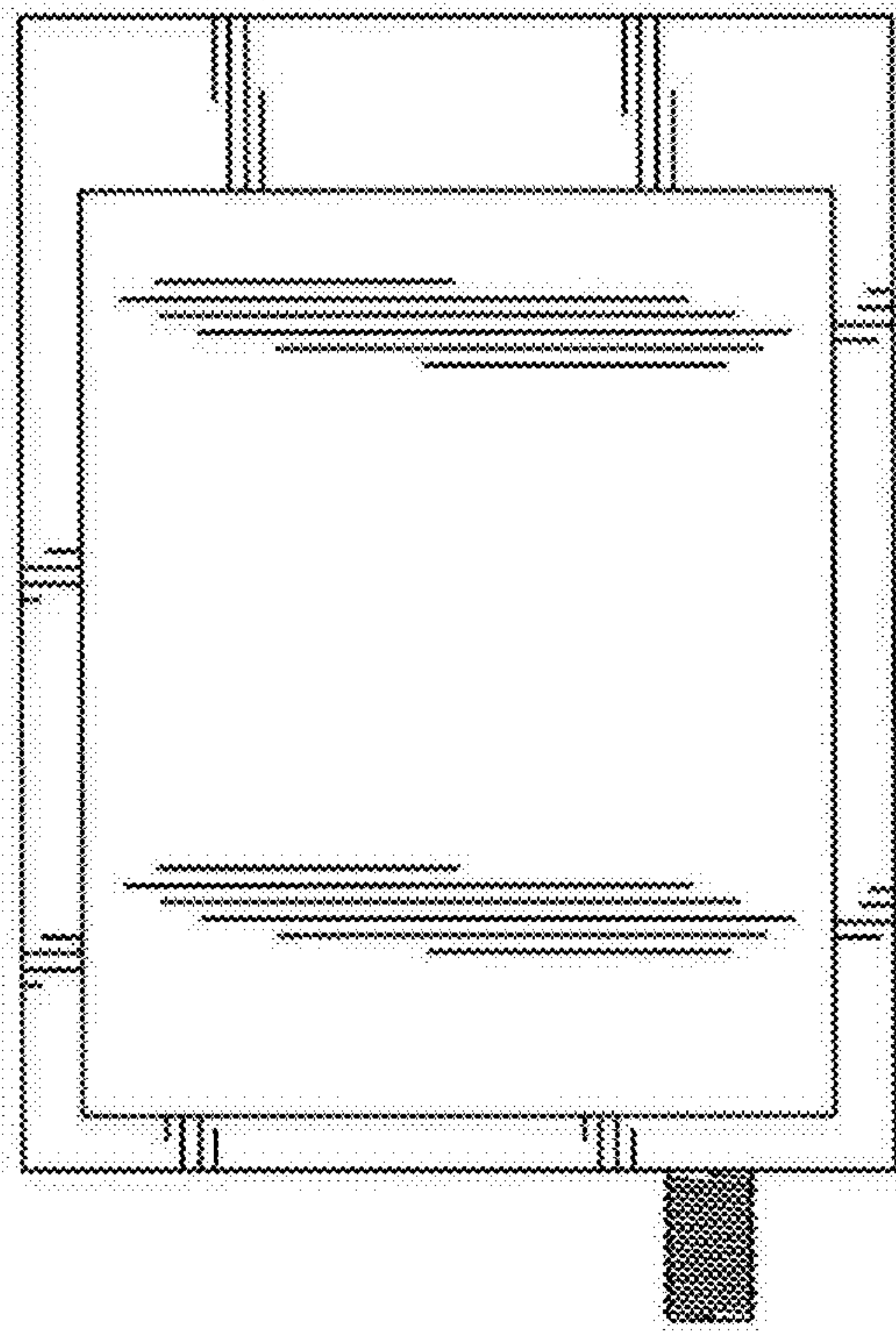


FIG. 10