



US00D724708S

(12) **United States Design Patent**
Hsiao

(10) **Patent No.:** **US D724,708 S**
(45) **Date of Patent:** **** Mar. 17, 2015**

(54) **SINK**

(71) Applicant: **Holimay Corporation**, Bade, Taoyuan
County (TW)

(72) Inventor: **Yu-Ming Hsiao**, Bade (TW)

(73) Assignee: **Holimay Corporation**, Bade, Taoyuan
County (TW)

(**) Term: **14 Years**

(21) Appl. No.: **29/489,749**

(22) Filed: **May 2, 2014**

(30) **Foreign Application Priority Data**

Mar. 31, 2014 (TW) 103301854

(51) **LOC (10) Cl.** **23-02**

(52) **U.S. Cl.**
USPC **D23/284; D24/177**

(58) **Field of Classification Search**
CPC E03C 1/18; E03C 1/14; E03C 1/16;
E03C 1/182
USPC D23/271-274, 284-285, 292-293.1,
D23/303, 308; D24/177

See application file for complete search history.

(56) **References Cited**

U.S. PATENT DOCUMENTS

D337,377 S *	7/1993	Bonnell et al.	D23/284
D353,882 S *	12/1994	Buzby	D23/271
D378,415 S *	3/1997	Irwin et al.	D24/177
D385,353 S *	10/1997	Pate	D24/177
D575,855 S *	8/2008	Slothower	D23/284

* cited by examiner

Primary Examiner — Robert Delehanty

(74) *Attorney, Agent, or Firm* — Muncy, Geissler, Olds &
Lowe, P.C.

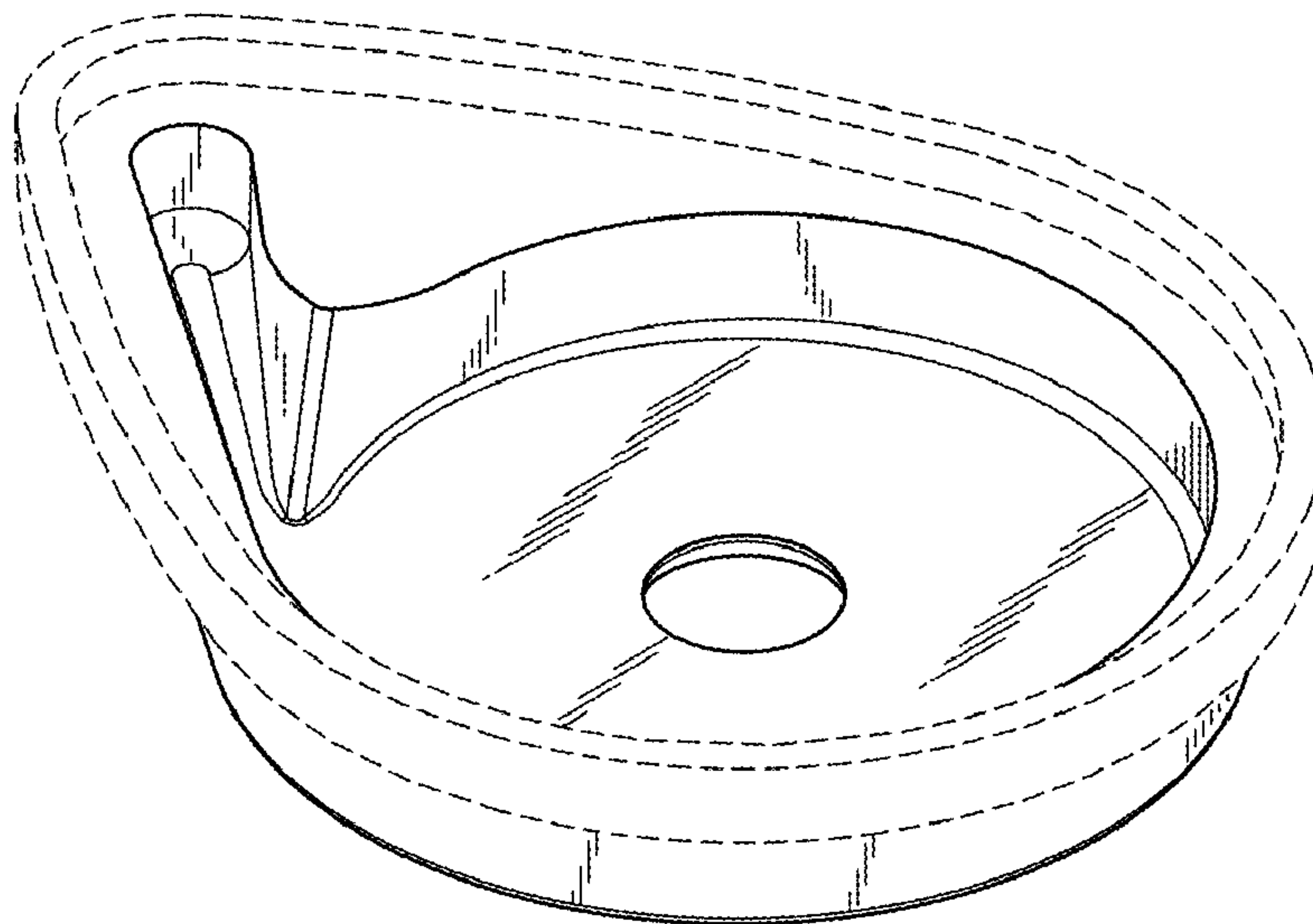
(57) **CLAIM**

The ornamental design for a sink, as shown and described.

DESCRIPTION

FIG. 1 shows a perspective view of the present design.
FIG. 2 shows a front view of the present design,
FIG. 3 shows a rear view of the present design.
FIG. 4 shows a left side view of the present design
FIG. 5 shows a right side view of the present design.
FIG. 6 shows a top view of the present design; and,
FIG. 7 shows a bottom view of the present design.
The broken lines showing of structural feature is indeed for
the purpose of illustrating non-claimed subject matter and
forms no part of the claimed design.

1 Claim, 4 Drawing Sheets



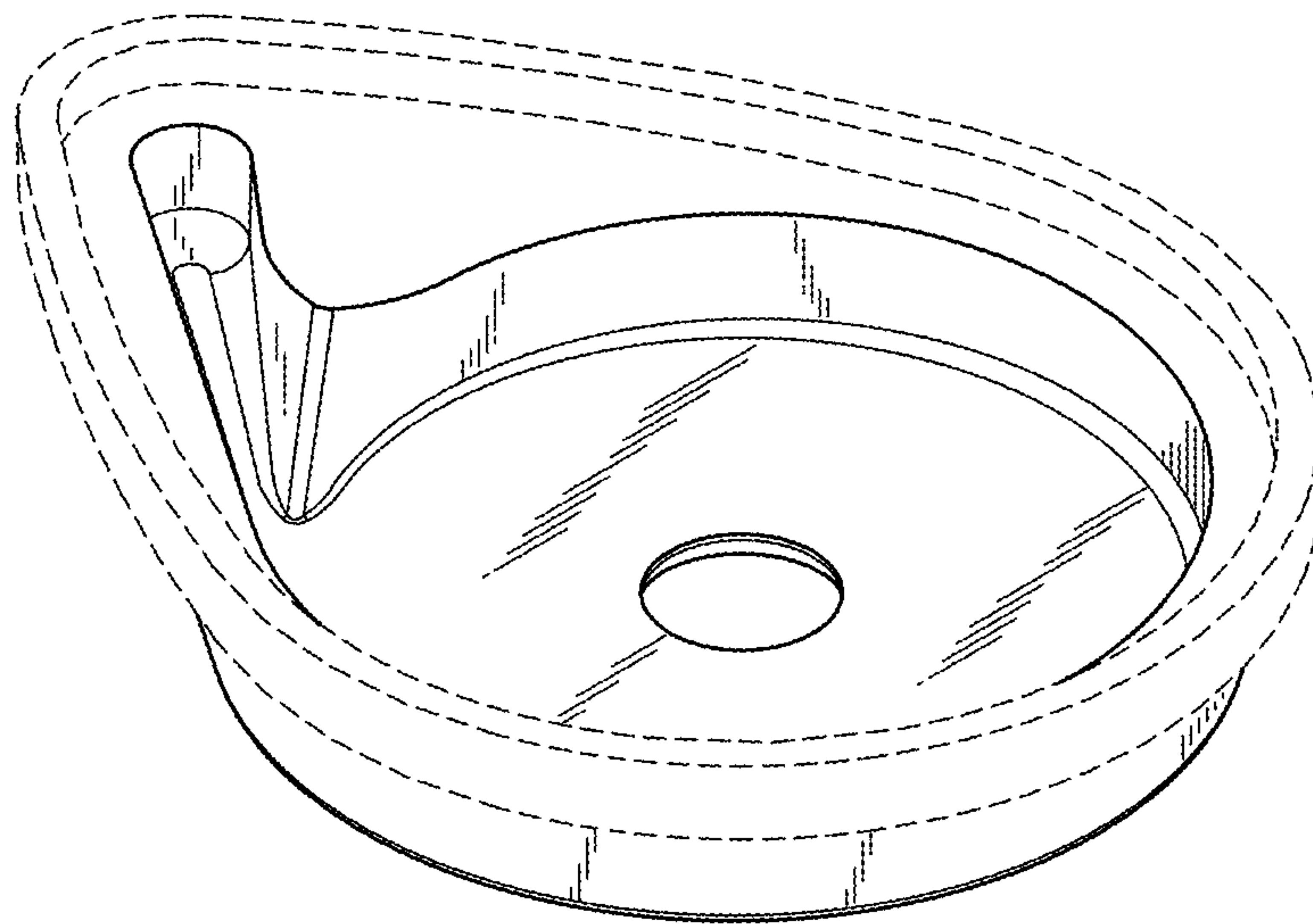


FIG. 1

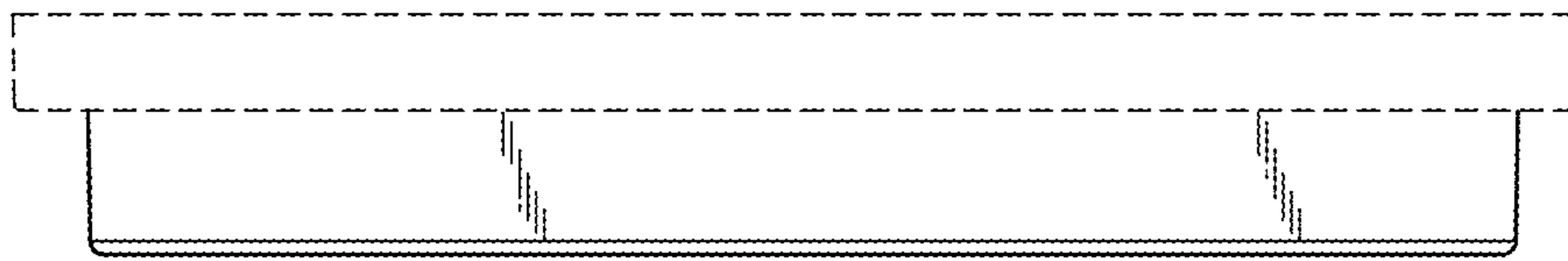


FIG. 2

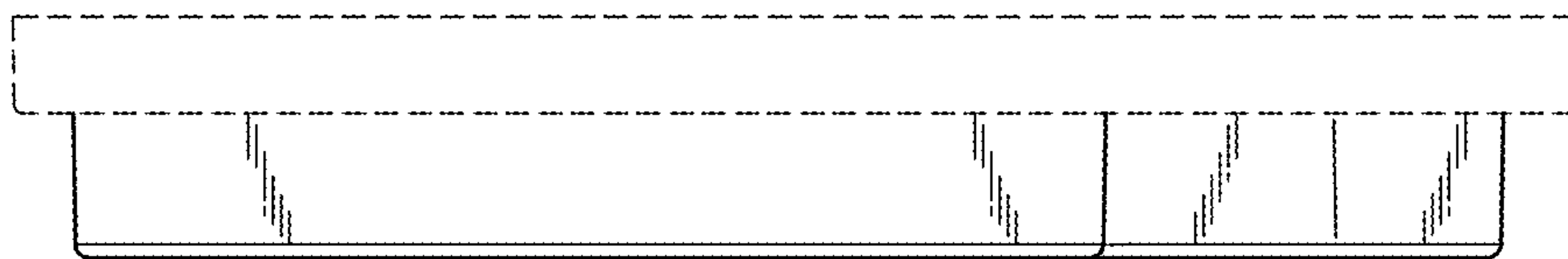


FIG. 3

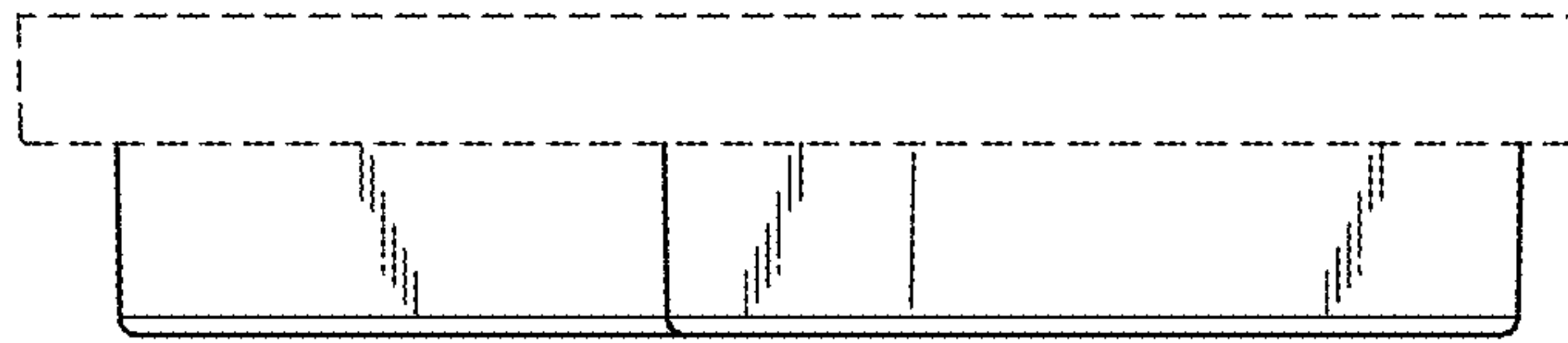


FIG. 4

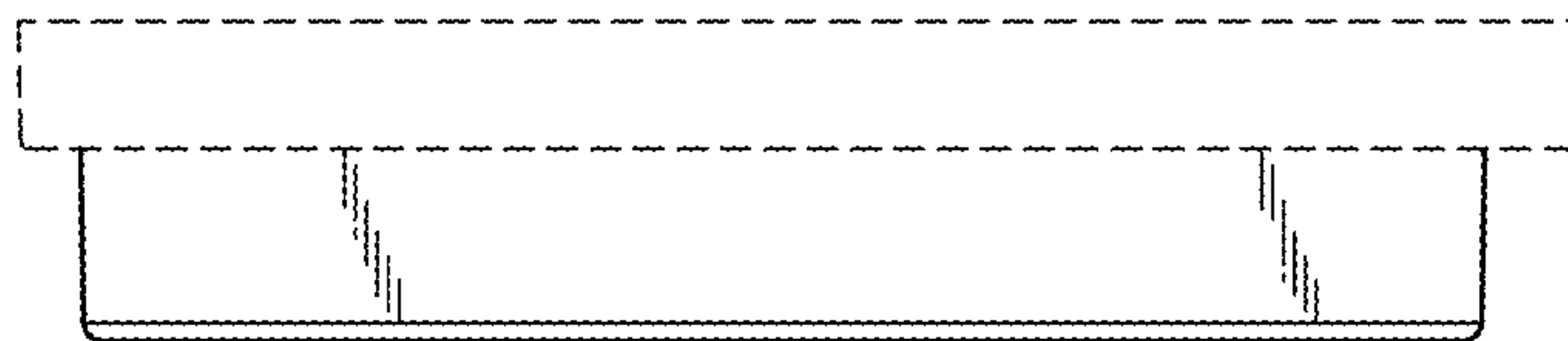


FIG. 5

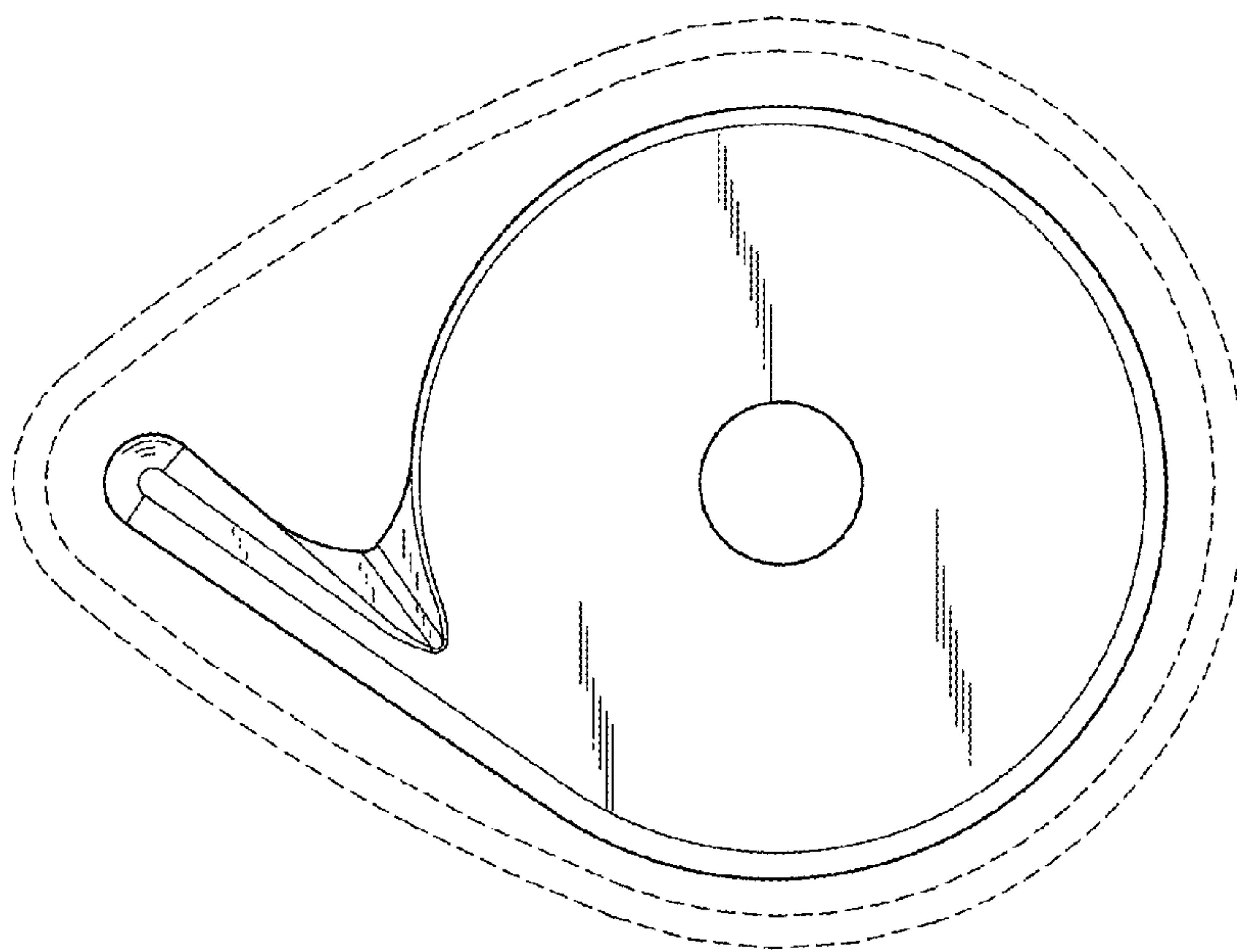


FIG. 6

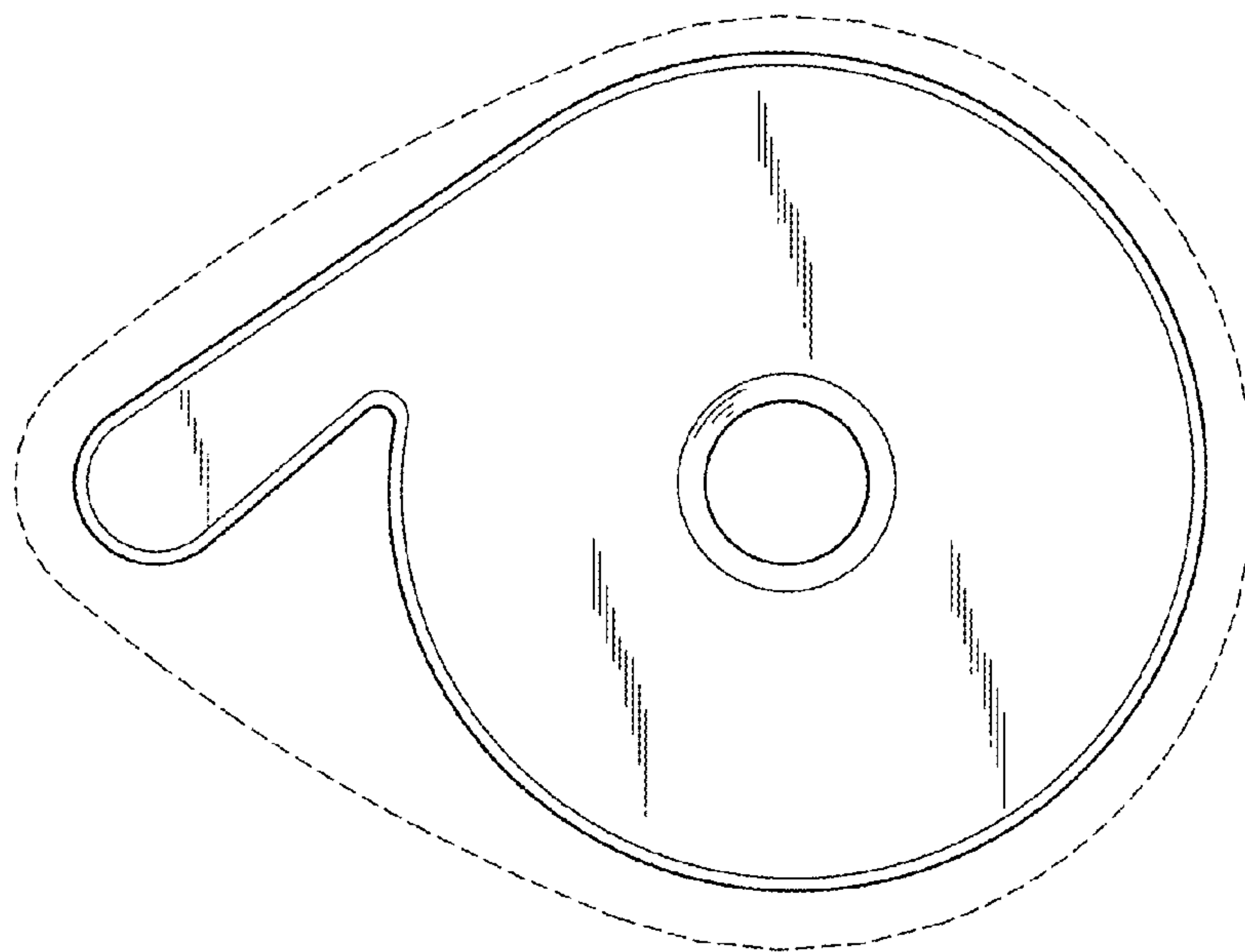


FIG. 7