



US00D724706S

(12) **United States Design Patent**
Meneghello et al.

(10) **Patent No.:** **US D724,706 S**
(45) **Date of Patent:** **** Mar. 17, 2015**

(54) **BATH TUB**

(71) Applicant: **Victoria & Albert Baths Ltd.**, West Midlands (GB)
(72) Inventors: **Sandro Meneghello**, Milan (IT); **Marco Paolelli**, Milan (IT)
(73) Assignee: **Victoria and Albert Baths Limited**, Wombourne, Wolverhampton, Staffordshire (GB)
(**) Term: **14 Years**

(21) Appl. No.: **29/492,768**

(22) Filed: **Jun. 3, 2014**

(30) **Foreign Application Priority Data**

Dec. 3, 2013 (EP) 001391460

(51) **LOC (10) Cl.** **23-02**

(52) **U.S. Cl.**
USPC **D23/277**

(58) **Field of Classification Search**
CPC A47K 4/00; A47K 3/02
USPC D23/275, 277, 280.1, 303-304, 306;
4/663-665, 538

See application file for complete search history.

(56) **References Cited**

U.S. PATENT DOCUMENTS

D611,127 S * 3/2010 Urquiola D23/277
D694,866 S * 12/2013 Quigley D23/277

* cited by examiner

Primary Examiner — Robert Delehanty

(74) *Attorney, Agent, or Firm* — Blank Rome LLP

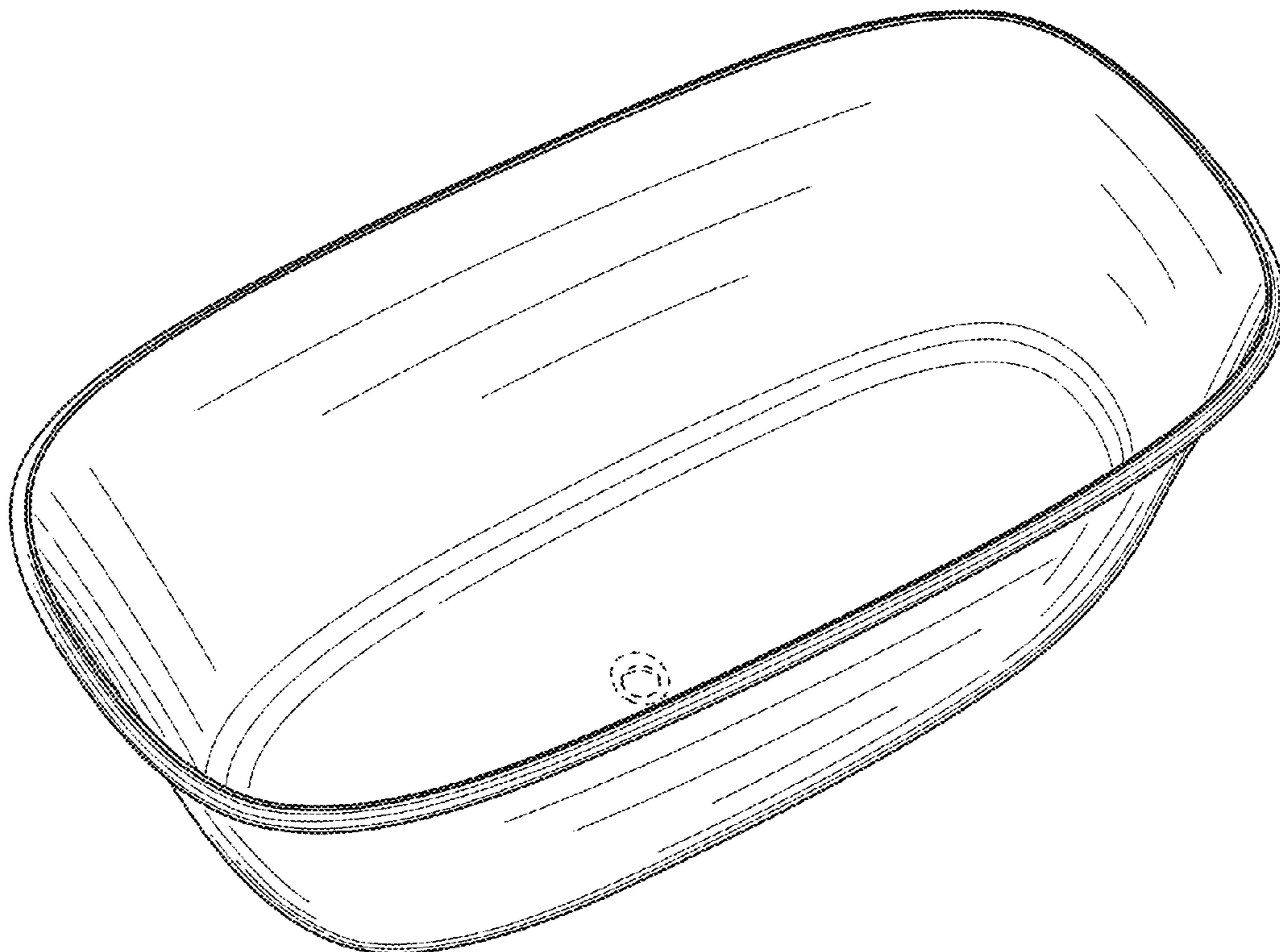
(57) **CLAIM**

We claim an ornamental design for a bath tub, as shown and described.

DESCRIPTION

FIG. 1 is a top, perspective view of a bath tub of the present design;
FIG. 2 is a side, perspective view of the bath tub of FIG. 1;
FIG. 3 is a first side view of the bath tub of FIG. 1, a second side view being a mirror image thereof; and
FIG. 4 is a first end view of the bath tub of FIG. 1,
FIG. 5 is a second end view of the bath tub of FIG. 1, the second end view being opposite the first end view;
FIG. 6 is a top view of the bath tub of FIG. 1; and,
FIG. 7 is a bottom view of the bath tub of FIG. 1.
The shading in the figures show contour, not surface ornamentation, and form no part of the claimed design.
The dashed lines shown in the figures are for illustration only and form no part of the claimed design.

1 Claim, 6 Drawing Sheets



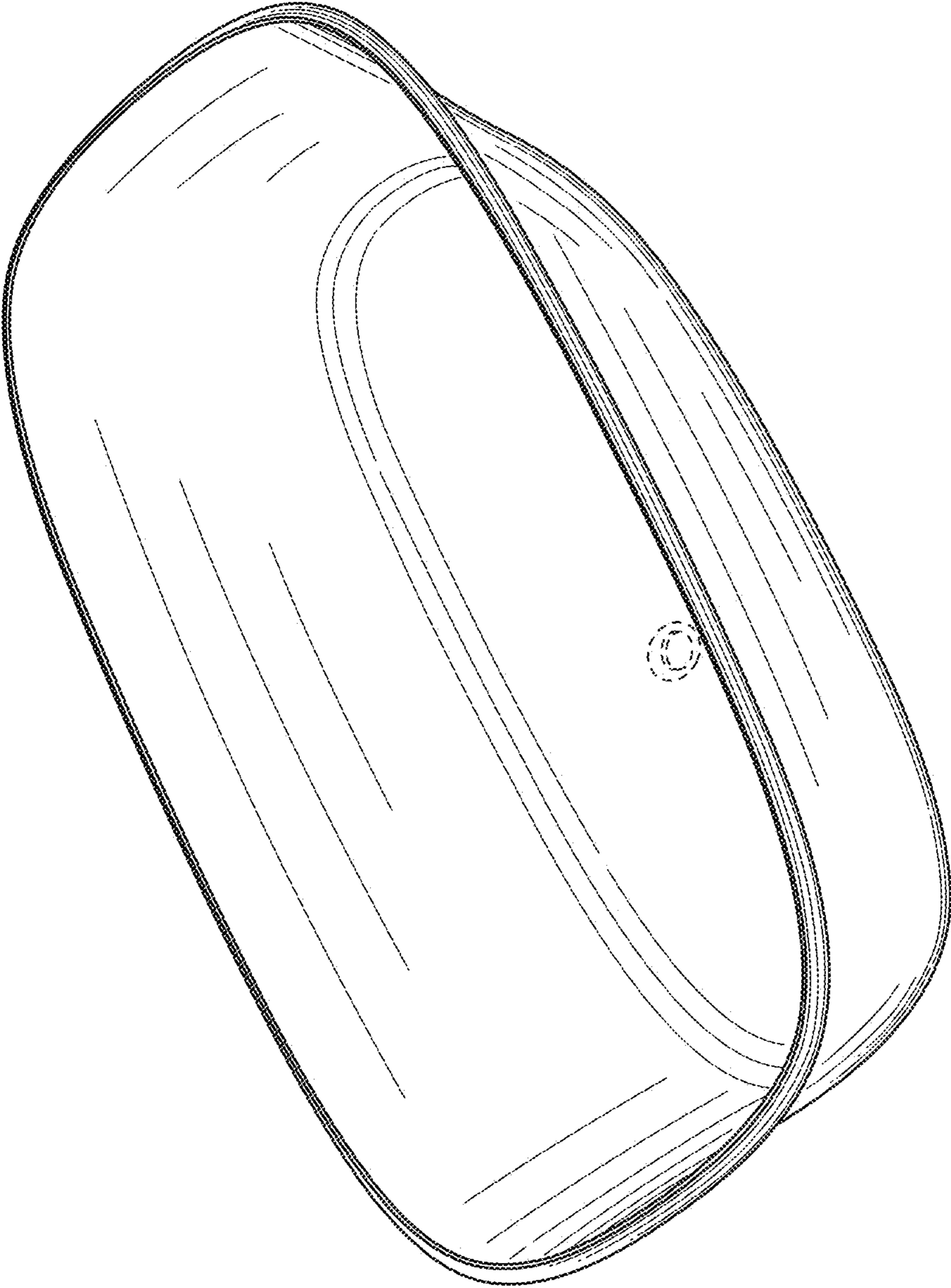


Fig. 1



Fig. 2

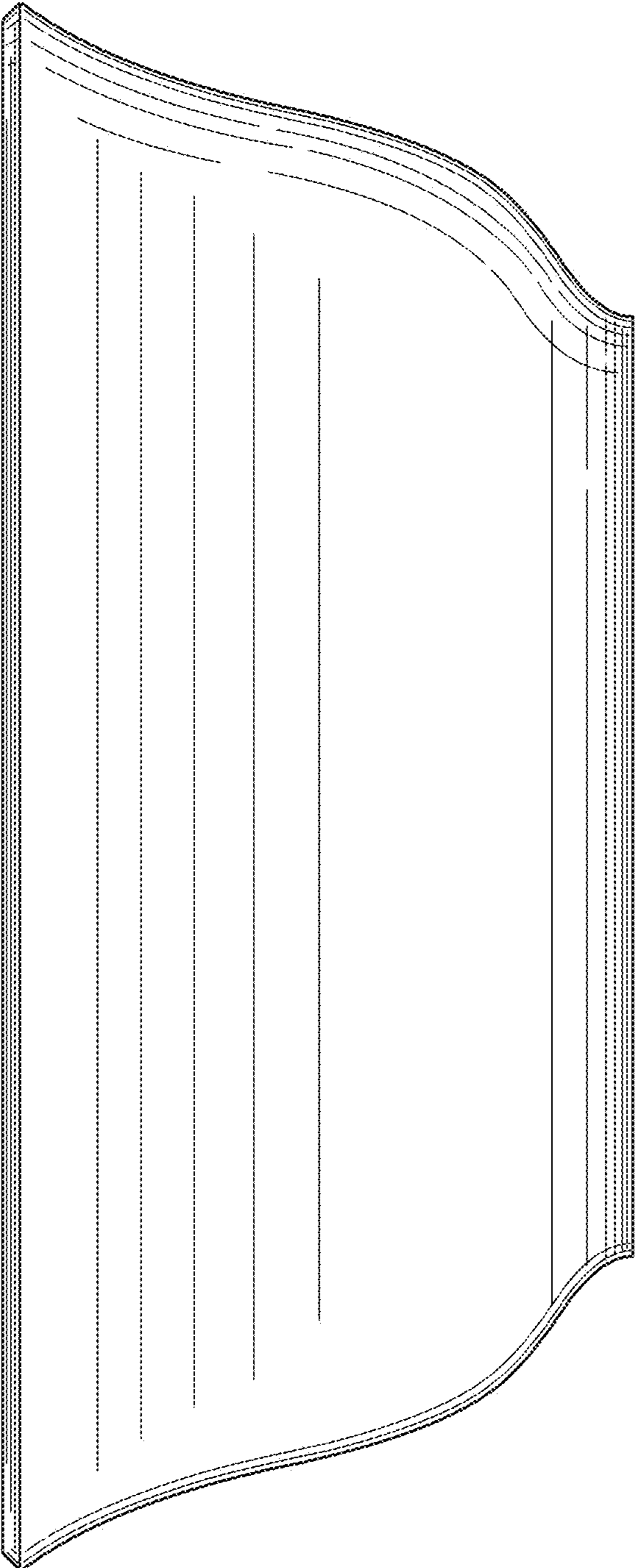


Fig. 3

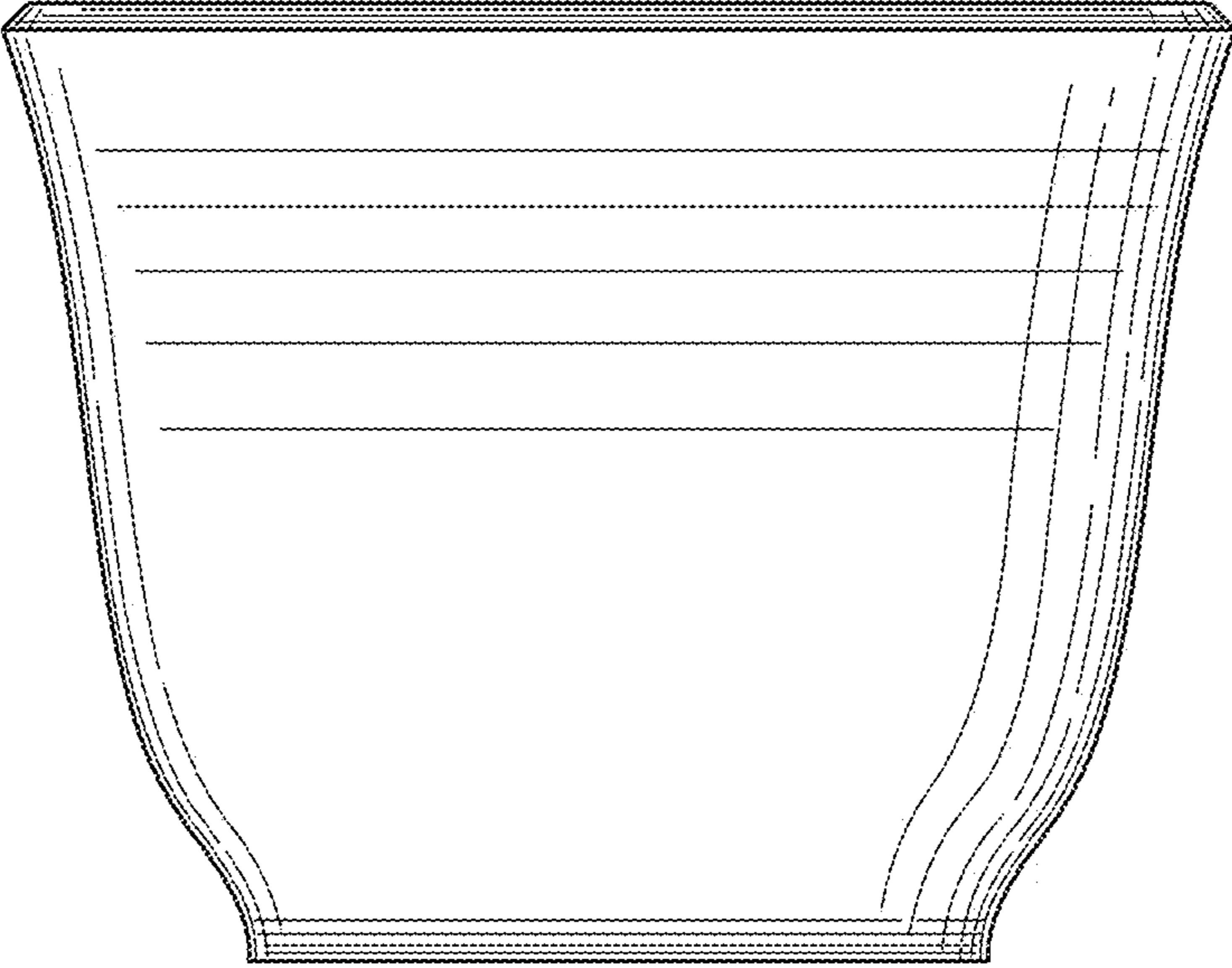


Fig. 4

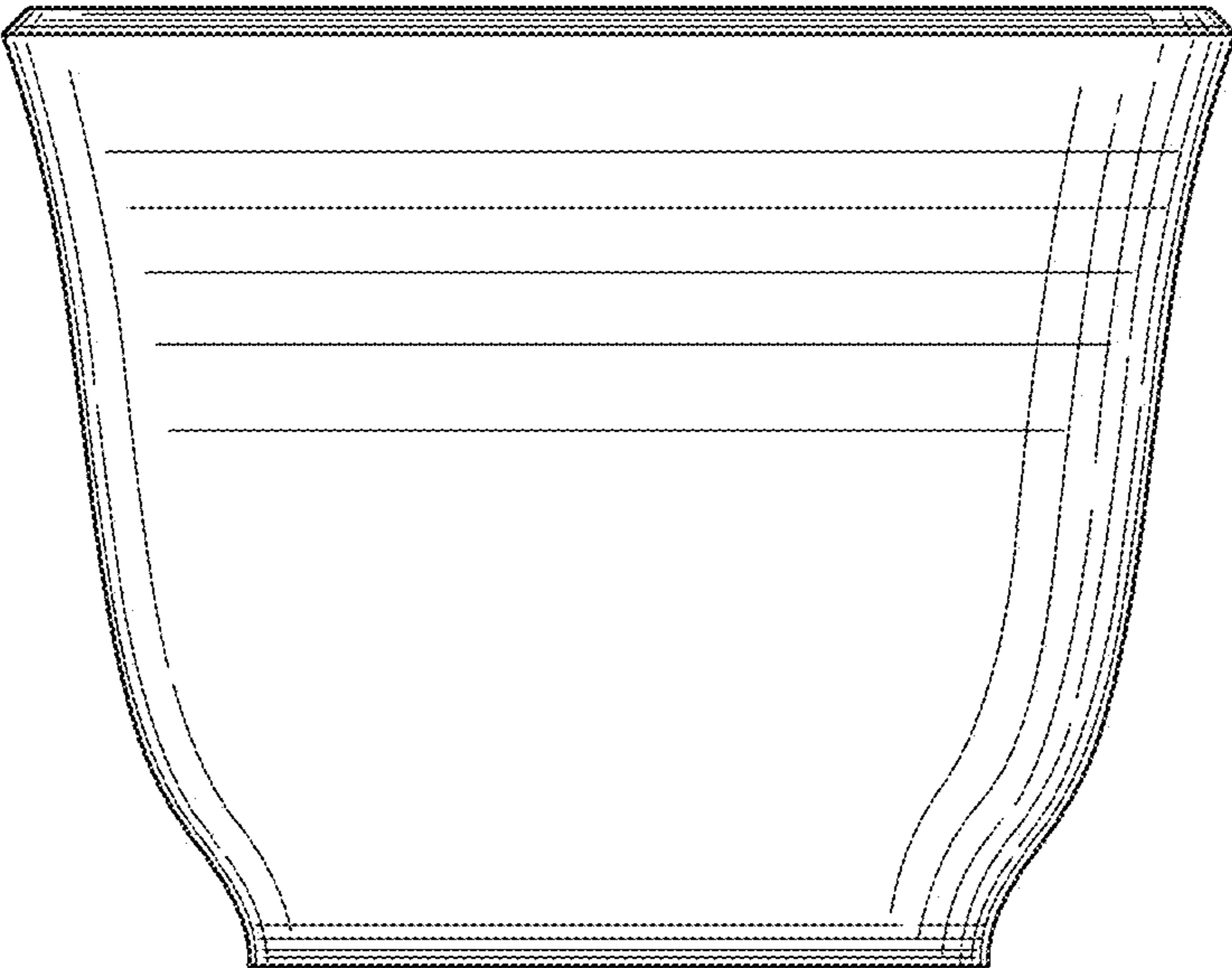


Fig. 5

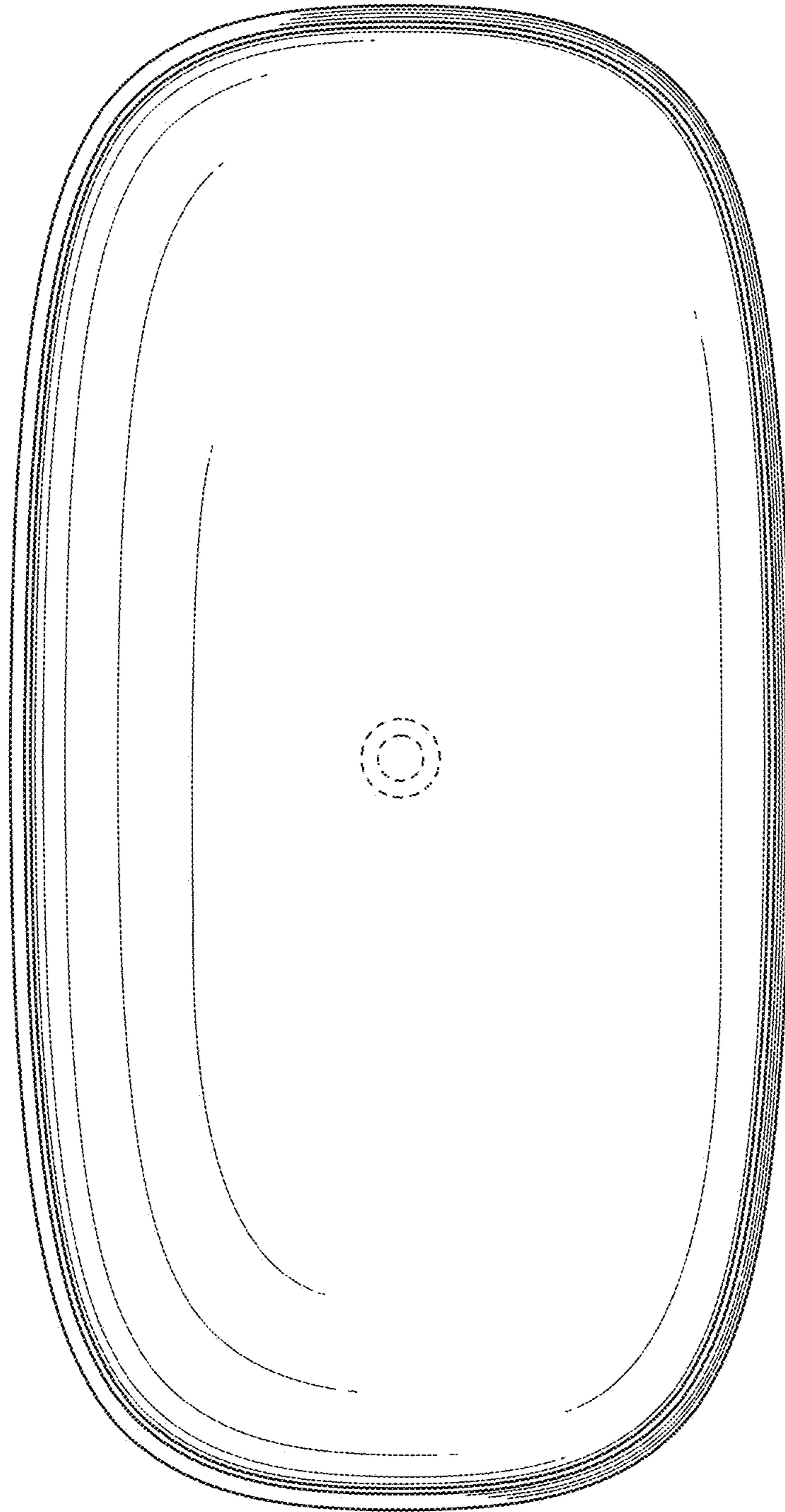


Fig. 6

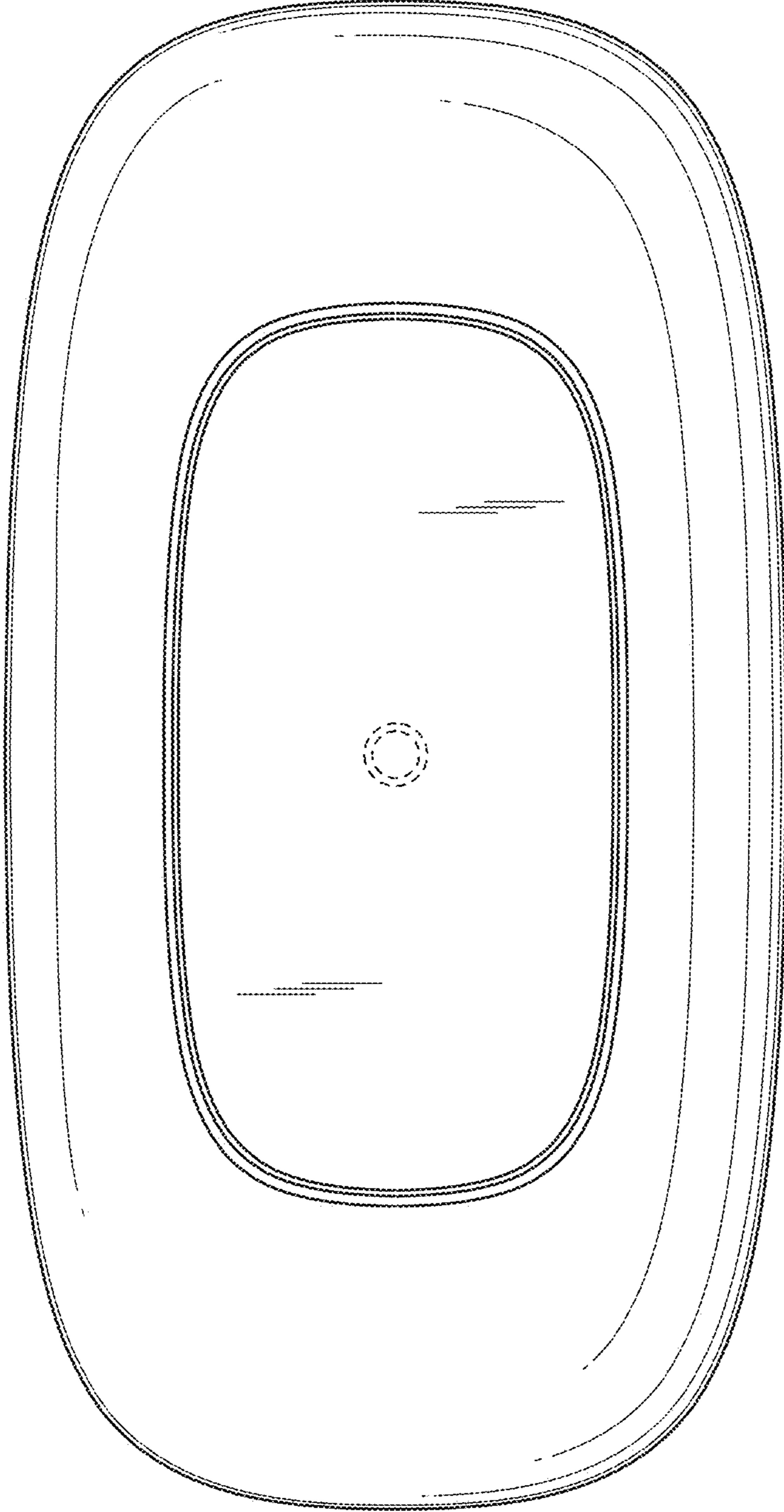


Fig. 7