

US00D724704S

(12) **United States Design Patent**
Douglass, III et al.

(10) **Patent No.:** **US D724,704 S**
(45) **Date of Patent:** **** Mar. 17, 2015**

(54) **CORRUGATED FOUNDATION DRAINAGE TILE**

(71) Applicants: **Carl Raymond Douglass, III**, Spicer, MN (US); **Jeremy N. Duinick**, Willmar, MN (US)

(72) Inventors: **Carl Raymond Douglass, III**, Spicer, MN (US); **Jeremy N. Duinick**, Willmar, MN (US)

(73) Assignee: **Prinsco, Inc.**, Willmar, MN (US)

(**) Term: **14 Years**

(21) Appl. No.: **29/479,622**

(22) Filed: **Jan. 17, 2014**

(51) **LOC (10) Cl.** **23-01**

(52) **U.S. Cl.**
USPC **D23/266**

(58) **Field of Classification Search**
USPC D23/205, 213, 223, 224, 228, 229, 230, D23/259, 262, 263, 266, 269, 330; D24/129; D13/155; 138/103, 105, 109, 138/118, 118.1, 119, 121, 122, 126, 128, 138/140, 154, 155, 157, 158, 167, 173, 138/177; 285/58, 83, 124.1, 124.5, 179, 285/179.1

See application file for complete search history.

(56) **References Cited**

U.S. PATENT DOCUMENTS

D41,811 S * 9/1911 McKeown et al. D23/330
3,578,777 A * 5/1971 DeGain 138/121
3,958,425 A * 5/1976 Maroschak 405/49
D299,162 S * 12/1988 Fredblad D23/266
5,120,162 A 6/1992 Parker

5,224,799 A 7/1993 Parker
D341,654 S * 11/1993 Wortham D23/338
5,466,092 A 11/1995 Semensz et al.
5,474,400 A 12/1995 Kliefoth et al.
D397,193 S * 8/1998 Boyle et al. D23/330
D423,090 S * 4/2000 Barbosa D23/330
6,223,777 B1 * 5/2001 Smith et al. 138/109
6,263,157 B1 * 7/2001 De' Longhi 392/378
7,017,614 B2 * 3/2006 Handley 138/109
D530,412 S * 10/2006 Aydin D23/330
7,174,953 B2 * 2/2007 Chiba 165/153
D624,166 S * 9/2010 Zanolin et al. D23/330
7,866,097 B1 1/2011 Moyher
7,886,774 B1 * 2/2011 Popp 138/121
D666,701 S * 9/2012 Smith D23/269
D684,245 S * 6/2013 Dong D23/330
D698,014 S * 1/2014 Dong D23/330
8,627,615 B2 * 1/2014 Moyher 52/169.5
2009/0000682 A1 * 1/2009 Kisu et al. 138/121

* cited by examiner

Primary Examiner — Eric Goodman

Assistant Examiner — Daniel J Domino

(74) *Attorney, Agent, or Firm* — Schroeder & Siegfried, P.A.

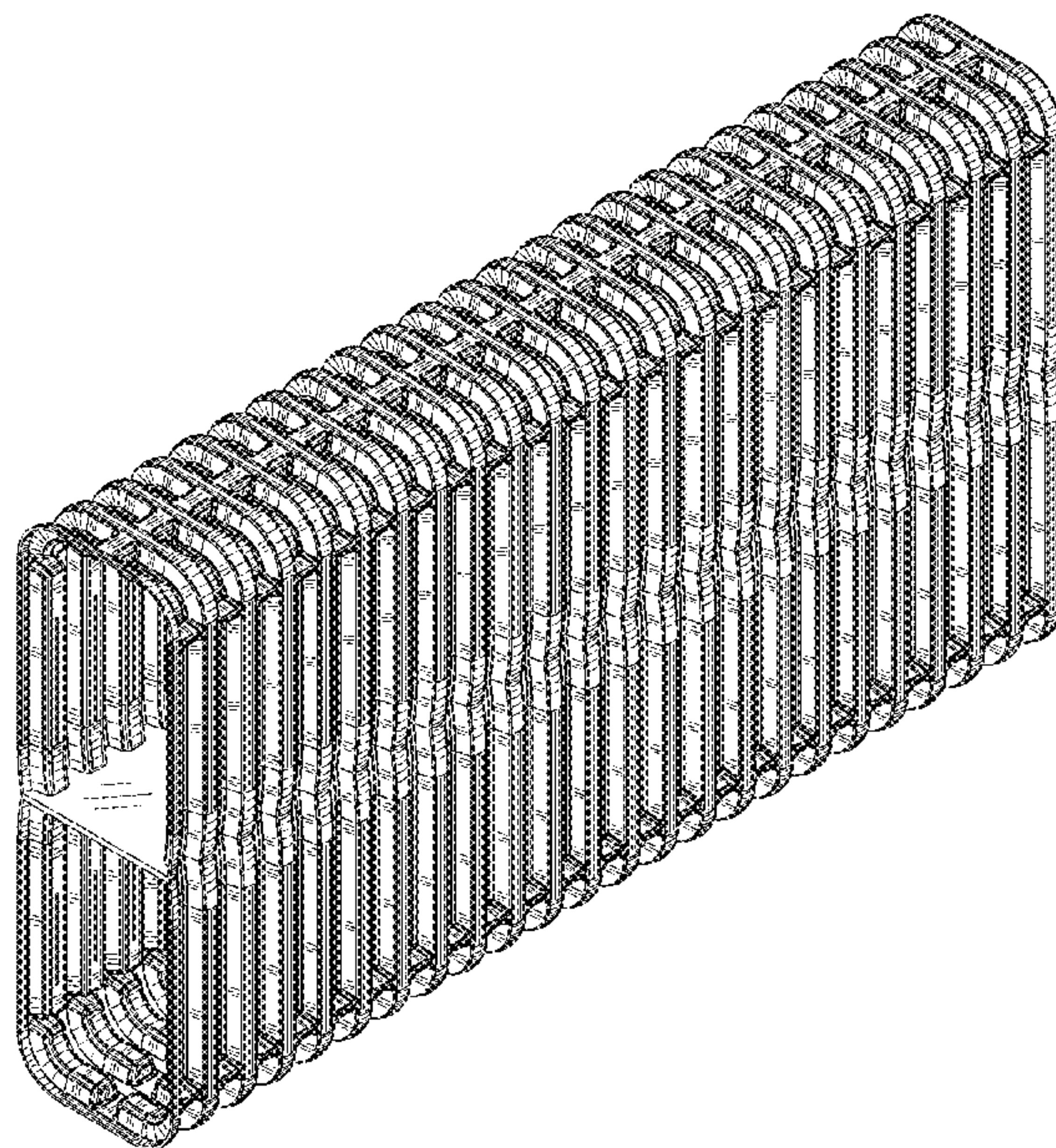
(57) **CLAIM**

The ornamental design for a corrugated foundation drainage tile, as shown and described.

DESCRIPTION

FIG. 1 is a perspective view of a corrugated foundation drainage tile showing our new design; FIG. 2 is a front elevational view, the rear elevational view being the mirror image thereof; FIG. 3 is a top plan view, the bottom plan view being the mirror image thereof; and, FIG. 4 is a right side elevational view, the left side elevational view being the mirror image thereof.

1 Claim, 4 Drawing Sheets



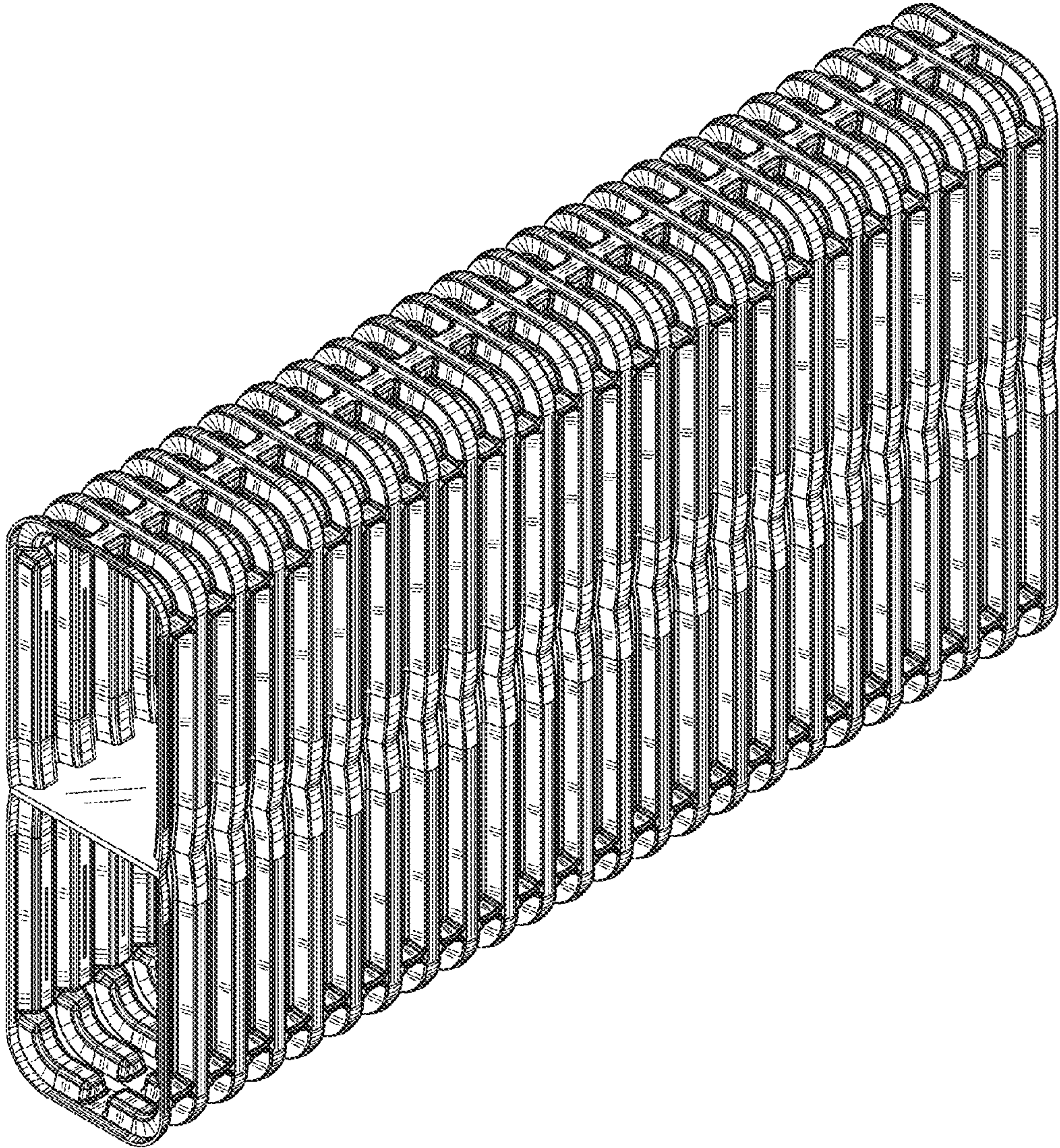


Fig. 1

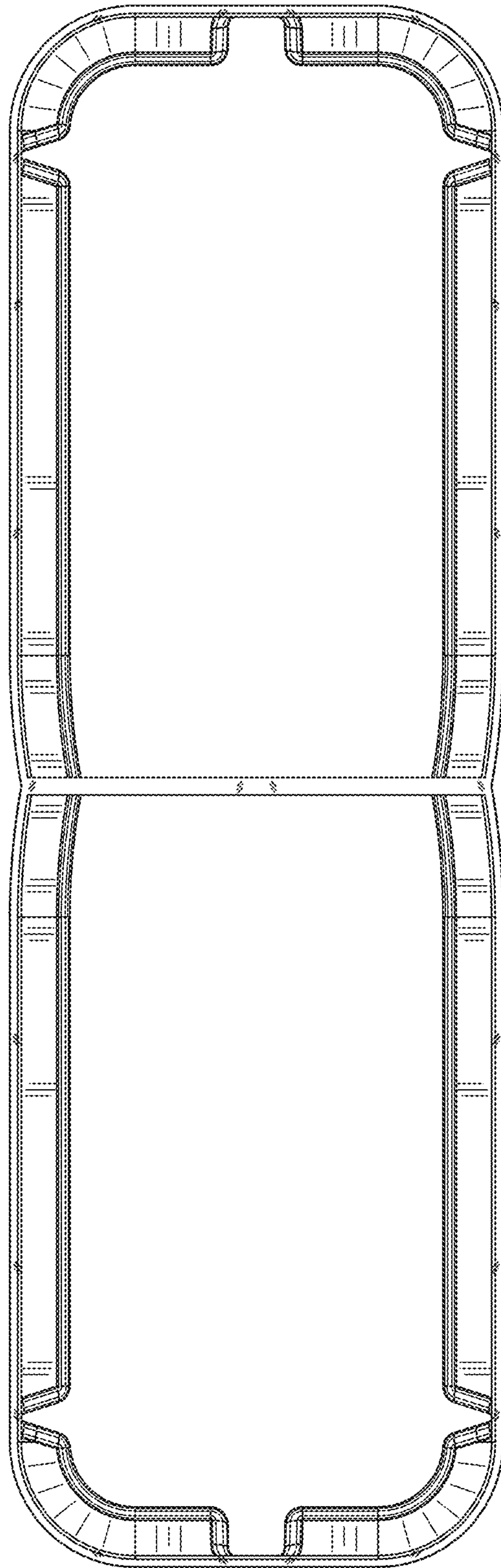


Fig. 2

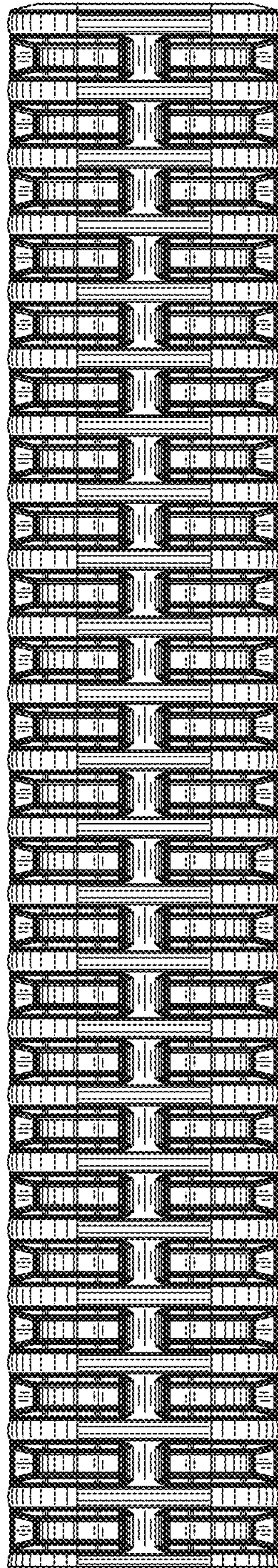


Fig. 3

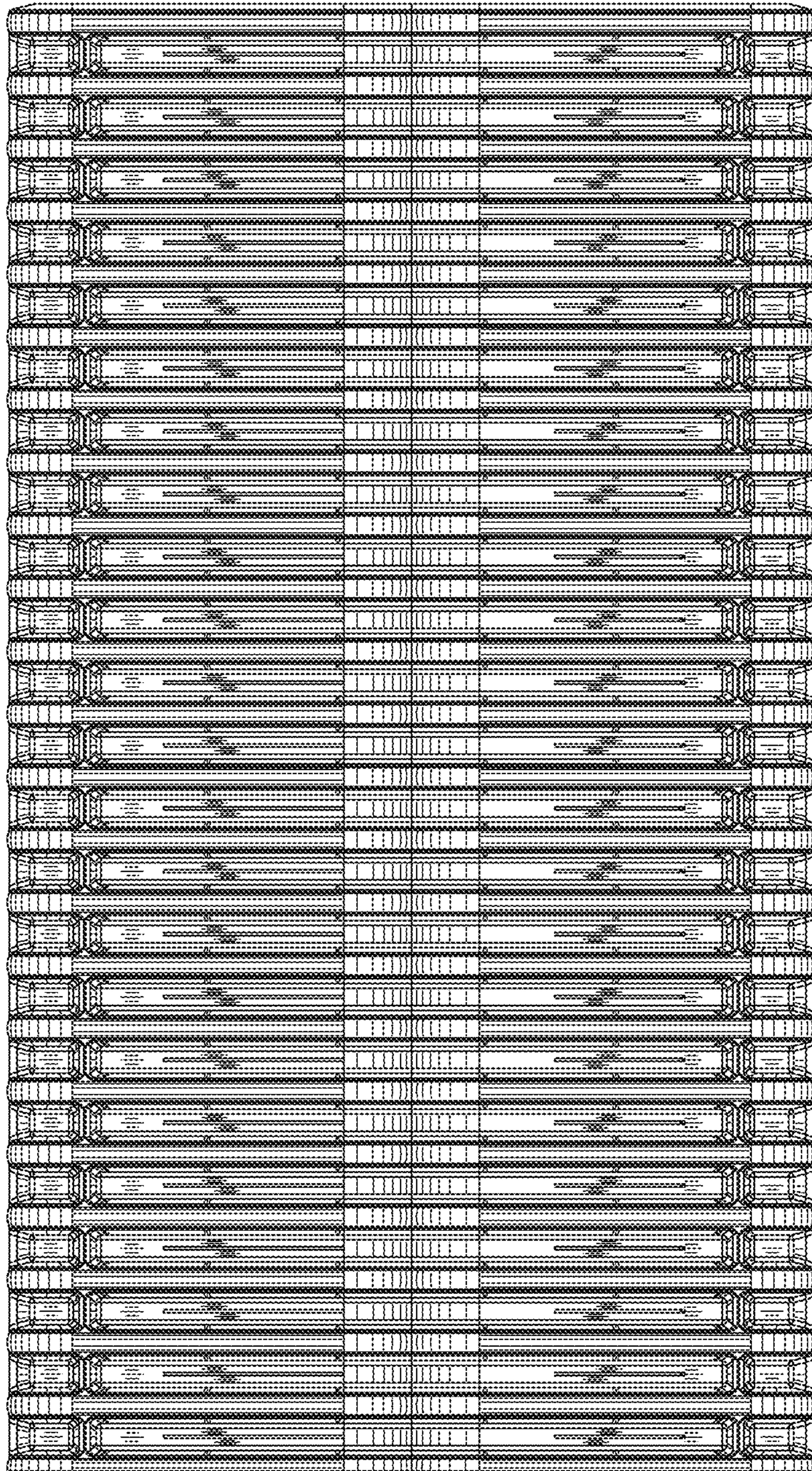


Fig. 4