



US00D724703S

(12) **United States Design Patent**  
**Downs**

(10) **Patent No.:** **US D724,703 S**  
(45) **Date of Patent:** **\*\* Mar. 17, 2015**

- (54) **COUPLER WITH A SIDE PORT**
- (75) Inventor: **Dennis Daniel Downs**, Andover, MN  
(US)
- (73) Assignee: **Colder Products Company**, Saint Paul,  
MN (US)
- (\*\*) Term: **14 Years**
- (21) Appl. No.: **29/428,564**
- (22) Filed: **Aug. 1, 2012**
- (51) **LOC (10) Cl.** ..... **23-01**
- (52) **U.S. Cl.**  
USPC ..... **D23/262**
- (58) **Field of Classification Search**  
USPC ..... D23/213, 223, 224, 229, 230, 259, 260,  
D23/262, 263, 266, 268; D24/129;  
D13/155; 138/103, 105, 109, 118,  
138/118.1, 122, 128, 154, 155, 157, 167,  
138/177; 285/58, 83, 179, 179.1  
See application file for complete search history.

7,434,842	B2 *	10/2008	Schmidt .....	285/91
D608,424	S *	1/2010	Katsuta et al. ....	D23/266
D627,431	S *	11/2010	Escoto et al. ....	D23/213
D636,079	S *	4/2011	Leypold et al. ....	D24/129
D636,844	S *	4/2011	Herre et al. ....	D23/213
D654,573	S *	2/2012	Lombardi et al. ....	D23/262
D661,785	S *	6/2012	Johnson .....	D23/262
D673,674	S *	1/2013	Ho .....	D24/129
D687,528	S *	8/2013	Meyer .....	D23/262
2005/0001425	A1 *	1/2005	deCler et al. ....	285/305
2009/0145503	A1 *	6/2009	Green et al. ....	138/89
2012/0291880	A1 *	11/2012	Eckardt et al. ....	137/341
2014/0261837	A1 *	9/2014	van der Meijden et al. ..	138/109

\* cited by examiner

*Primary Examiner* — Eric Goodman  
*Assistant Examiner* — Daniel J Domino  
(74) *Attorney, Agent, or Firm* — Merchant & Gould P.C.

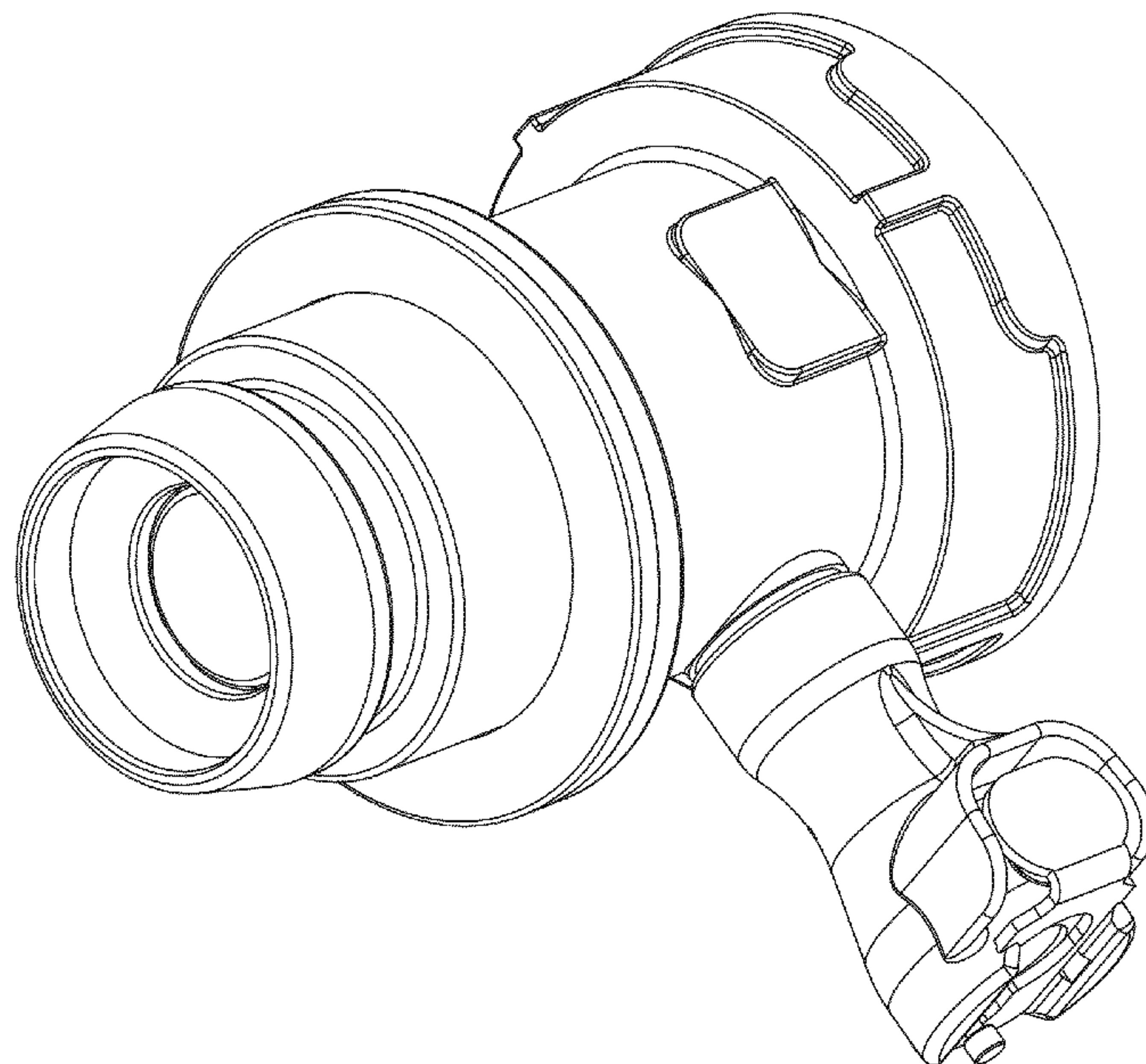
(57) **CLAIM**  
The ornamental design for a coupler with a side port, as shown and described.

**DESCRIPTION**

FIG. 1 is a first perspective view of a coupler with a side port. FIG. 2 is a second perspective view of the coupler of FIG. 1. FIG. 3 is a third perspective view of the coupler of FIG. 1. FIG. 4 is a fourth perspective view of the coupler of FIG. 1. FIG. 5 is first side view of the coupler of FIG. 1. FIG. 6 is a second side view of the coupler of FIG. 1. FIG. 7 is a top view of the coupler of FIG. 1. FIG. 8 is a bottom view of the coupler of FIG. 1. FIG. 9 is first end view of the coupler of FIG. 1; and, FIG. 10 is a second end view of the coupler of FIG. 1. The broken lines illustrating the unclaimed portions of the coupler with the side port form no part of the claimed design.

**1 Claim, 10 Drawing Sheets**

- (56) **References Cited**  
U.S. PATENT DOCUMENTS
- D145,538 S \* 9/1946 Richards et al. .... D23/213
- 5,540,255 A \* 7/1996 Trueb et al. .... 137/375
- D384,731 S \* 10/1997 Ramacier et al. .... D23/262
- D412,738 S \* 8/1999 Kuwabara .....



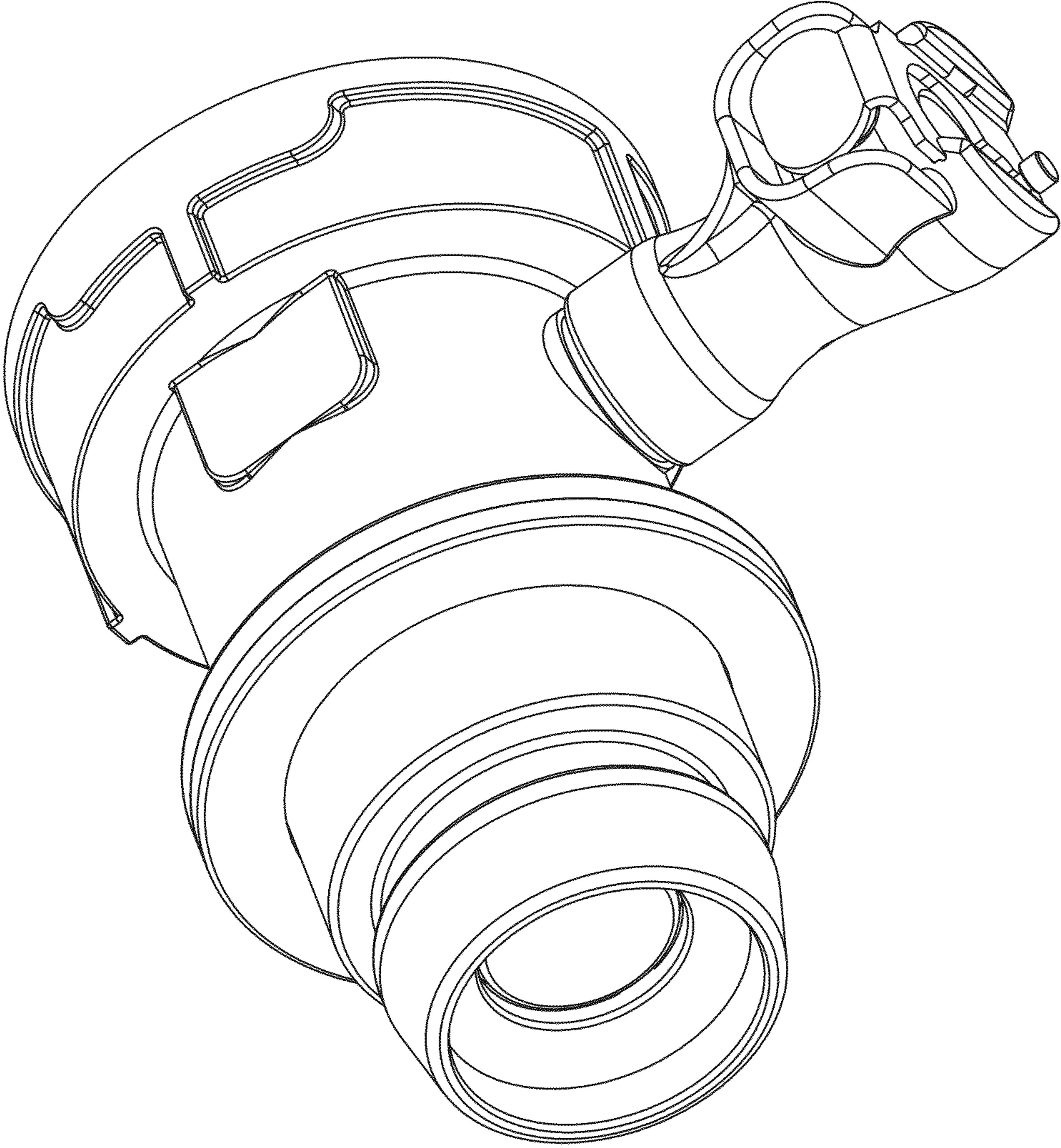


FIG. 1



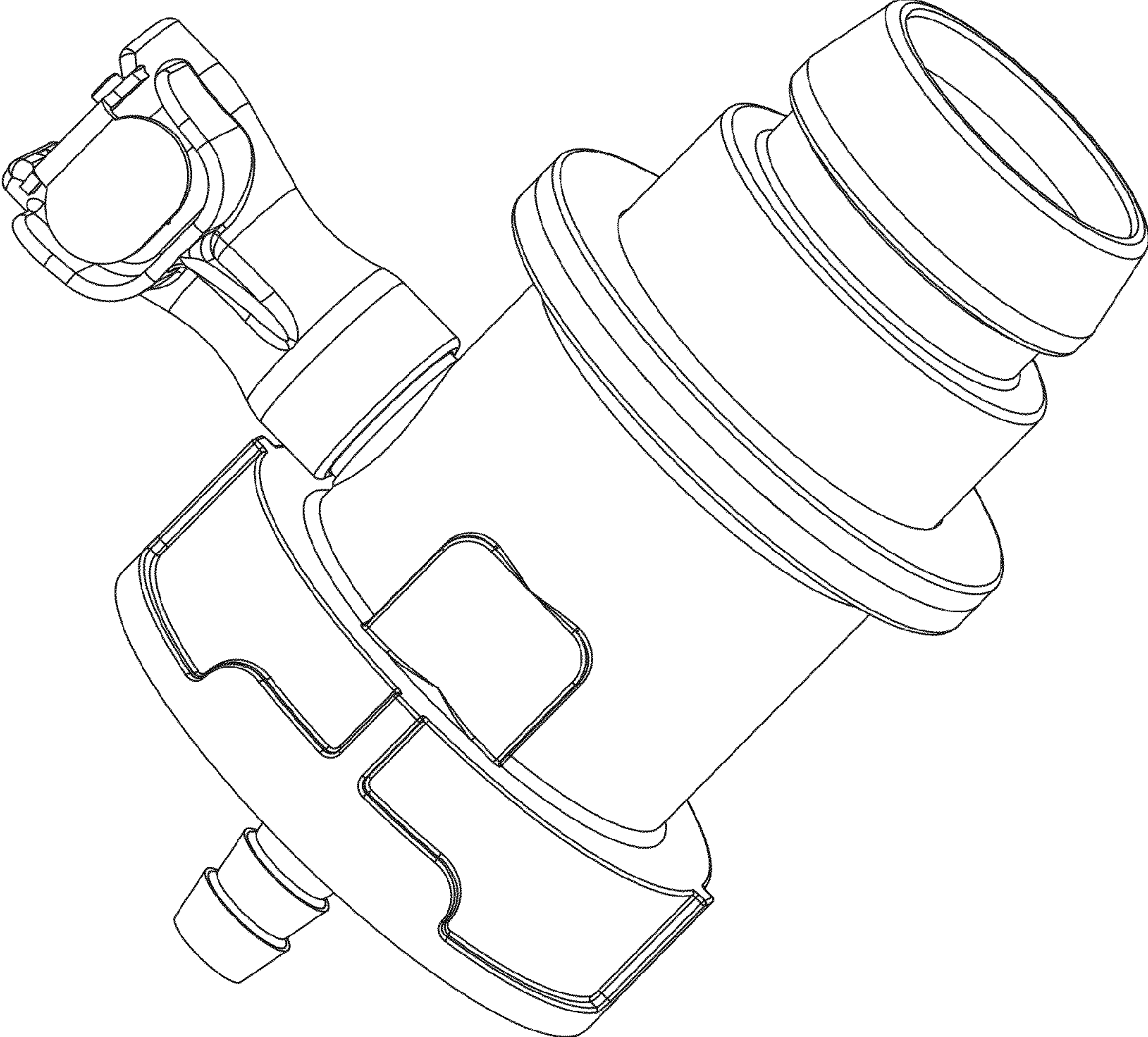


FIG. 2

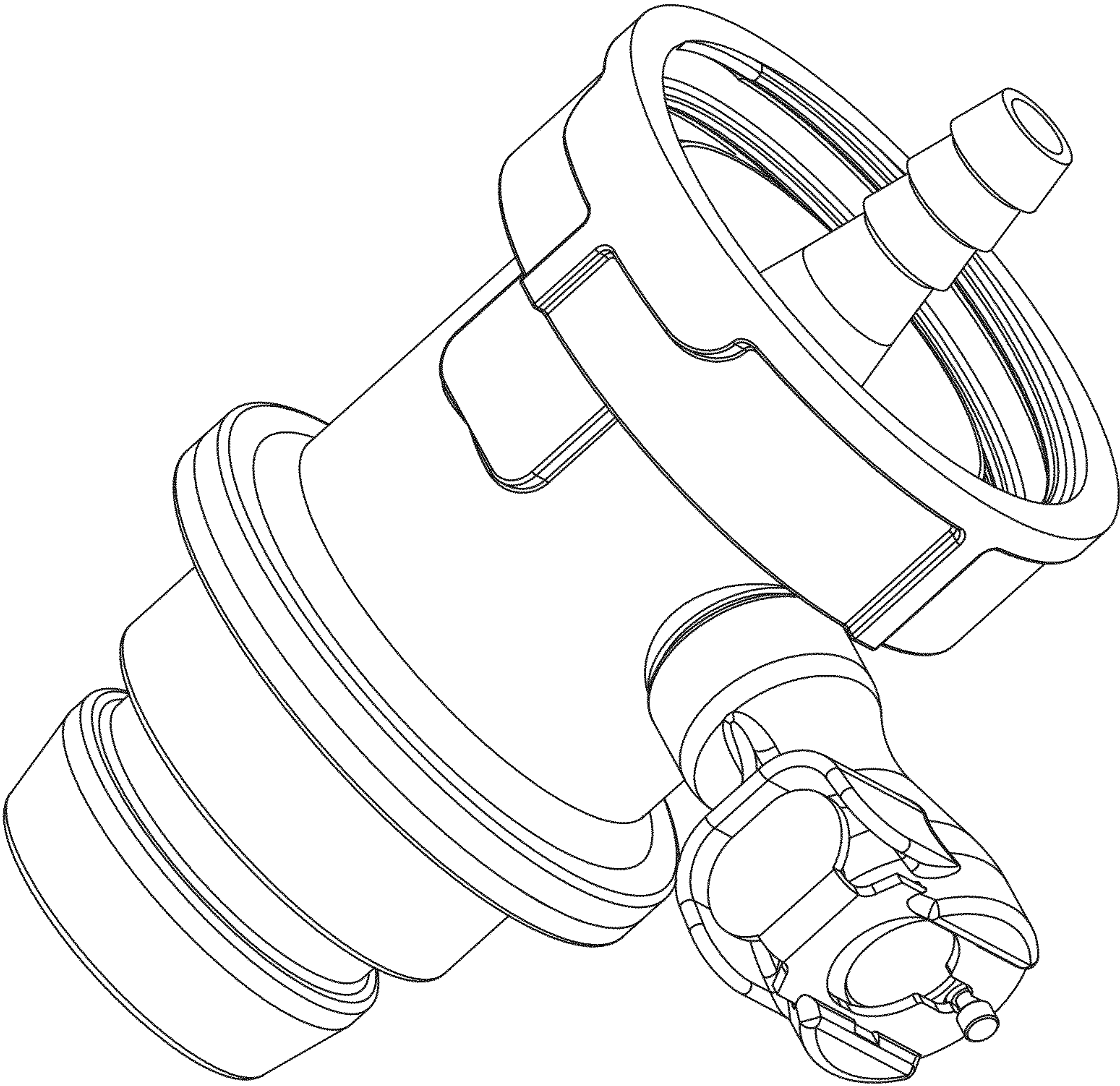


FIG. 3

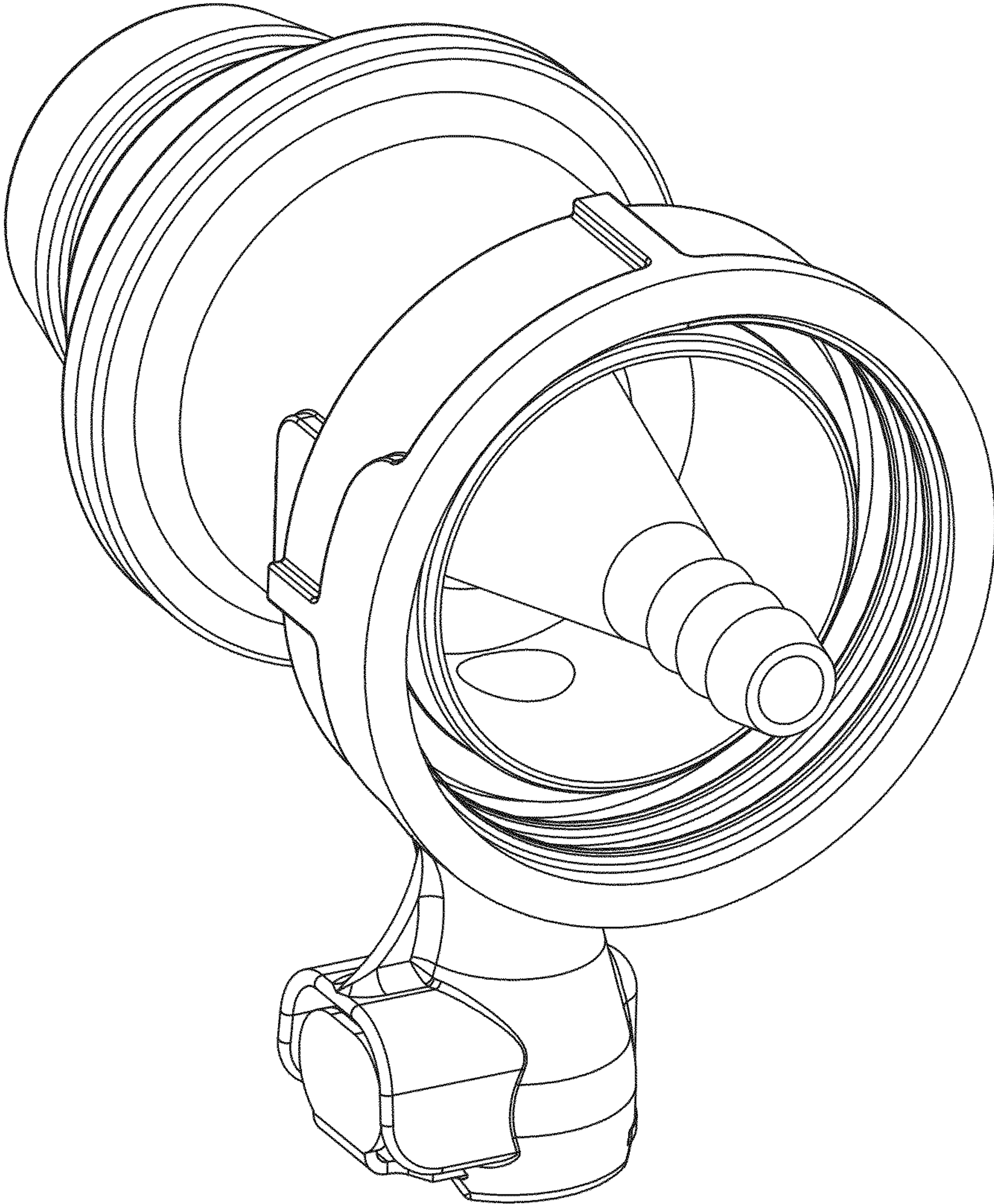


FIG. 4



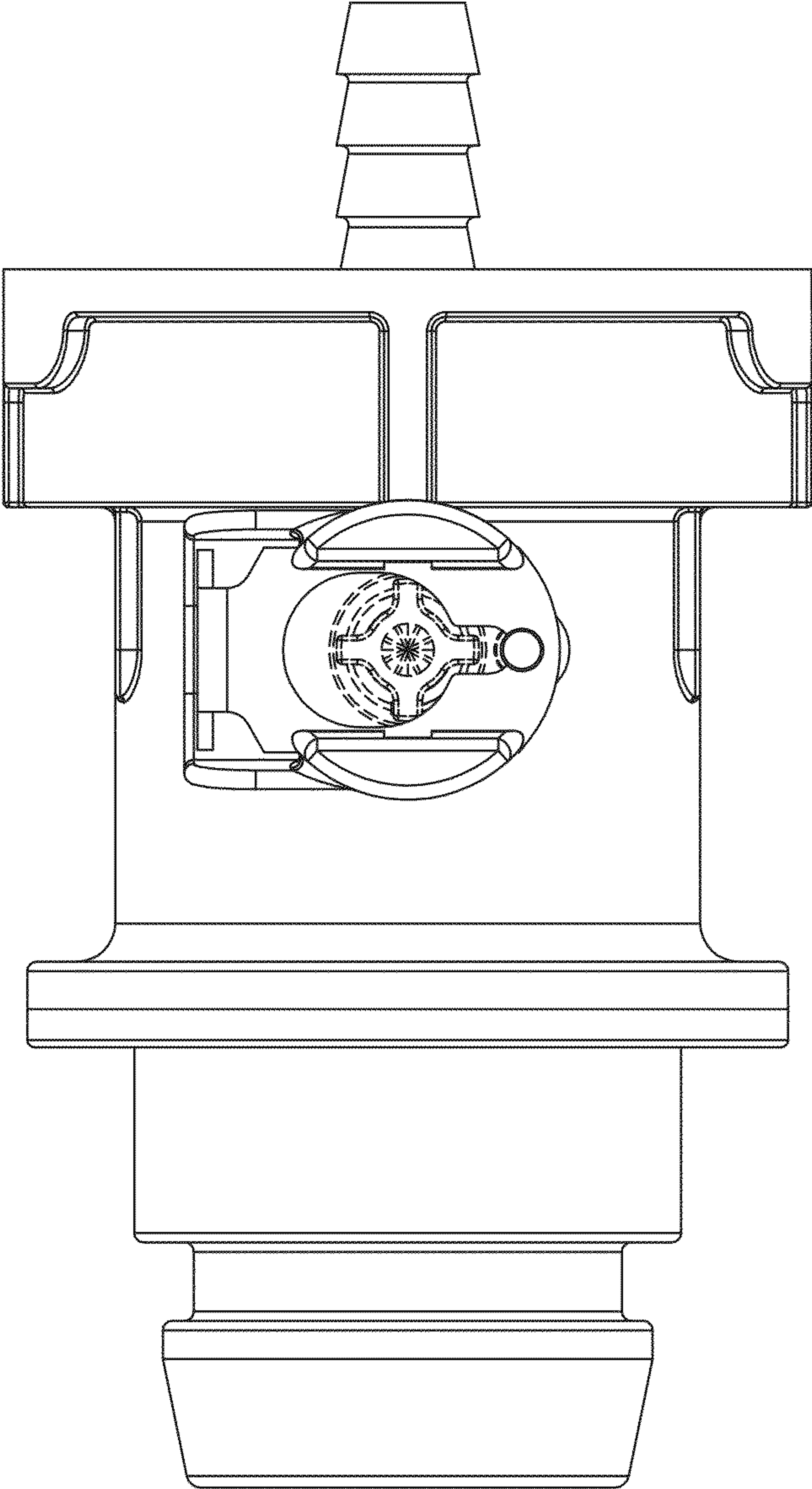


FIG. 5

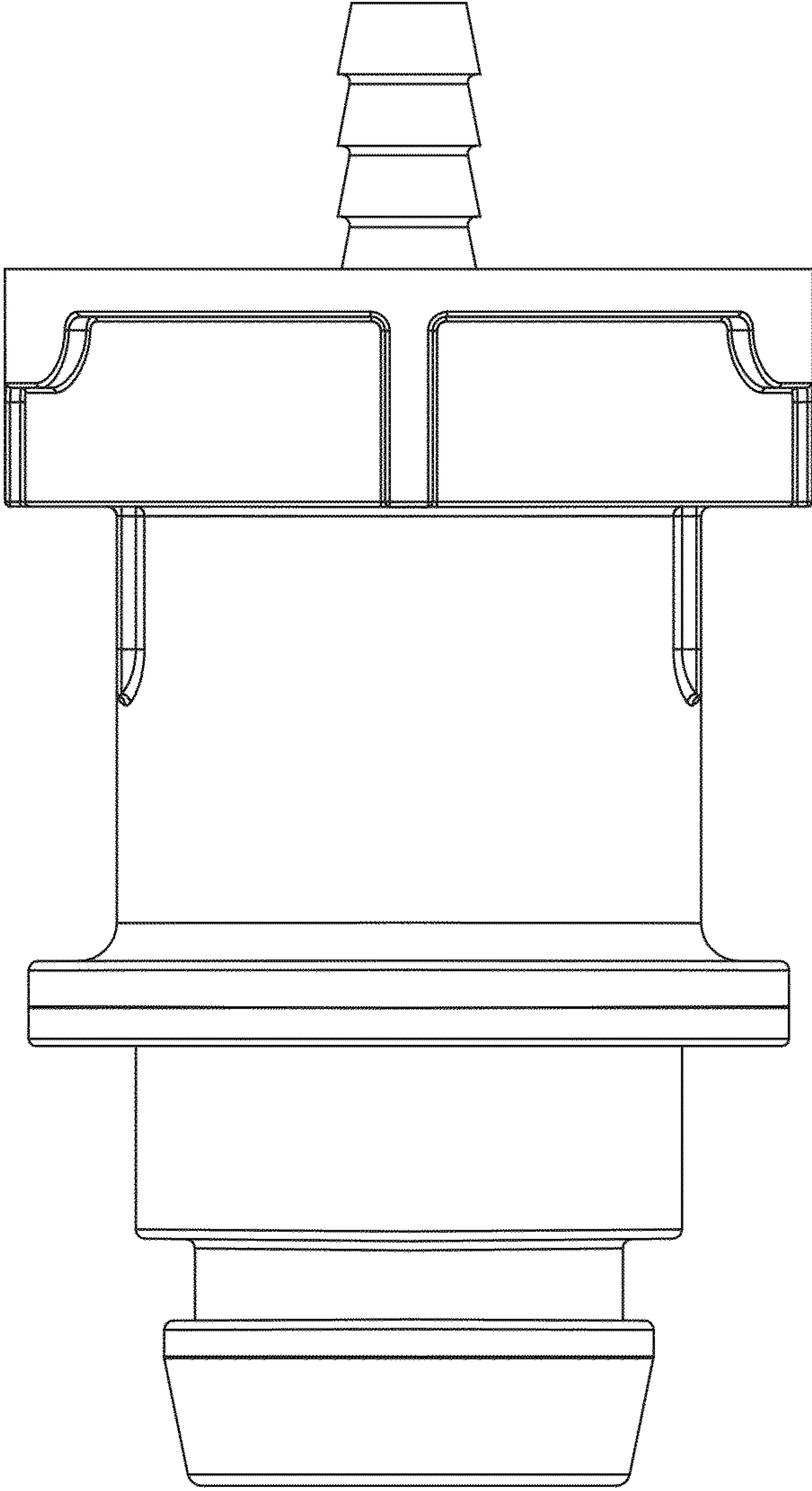


FIG. 6

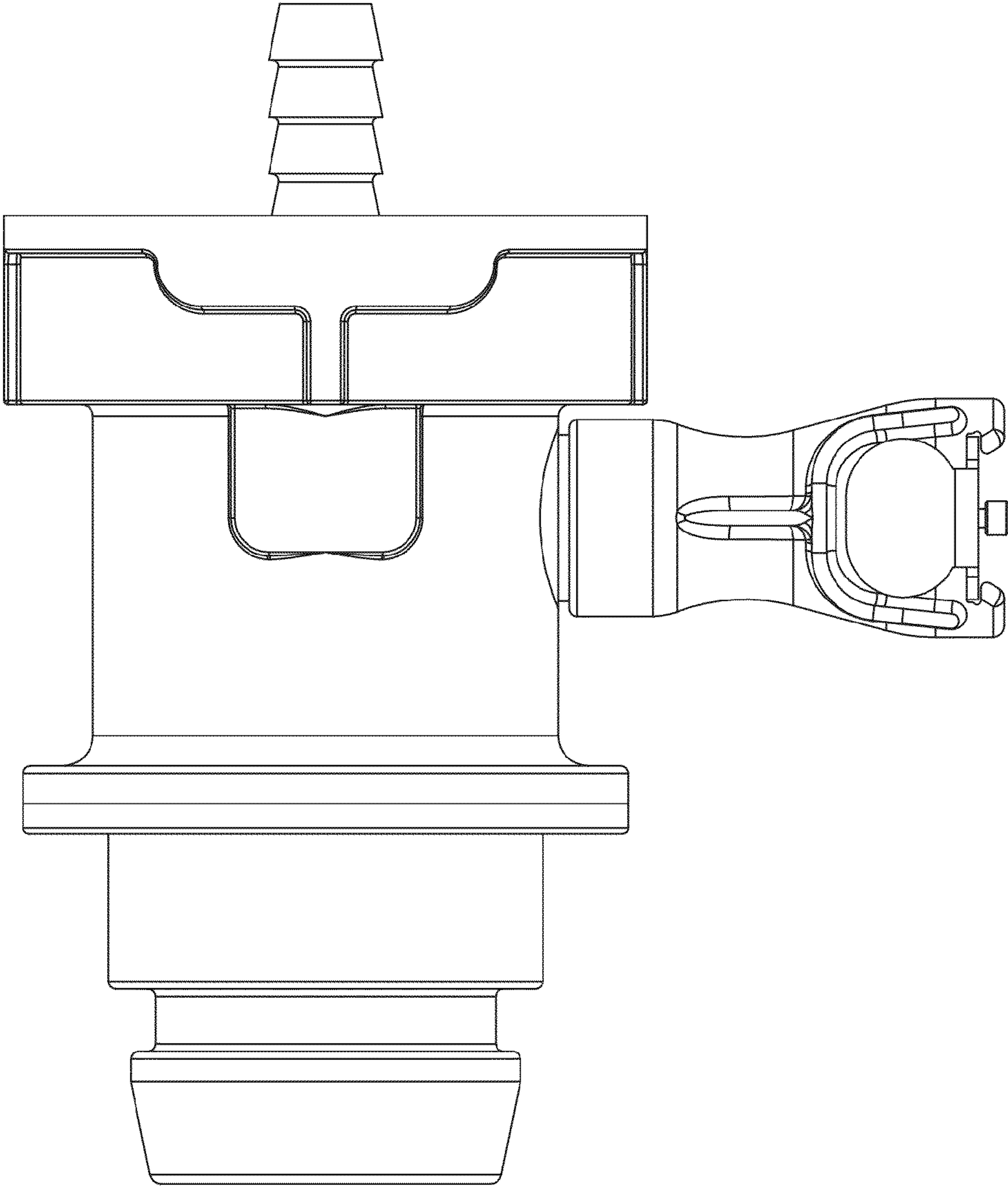


FIG. 7



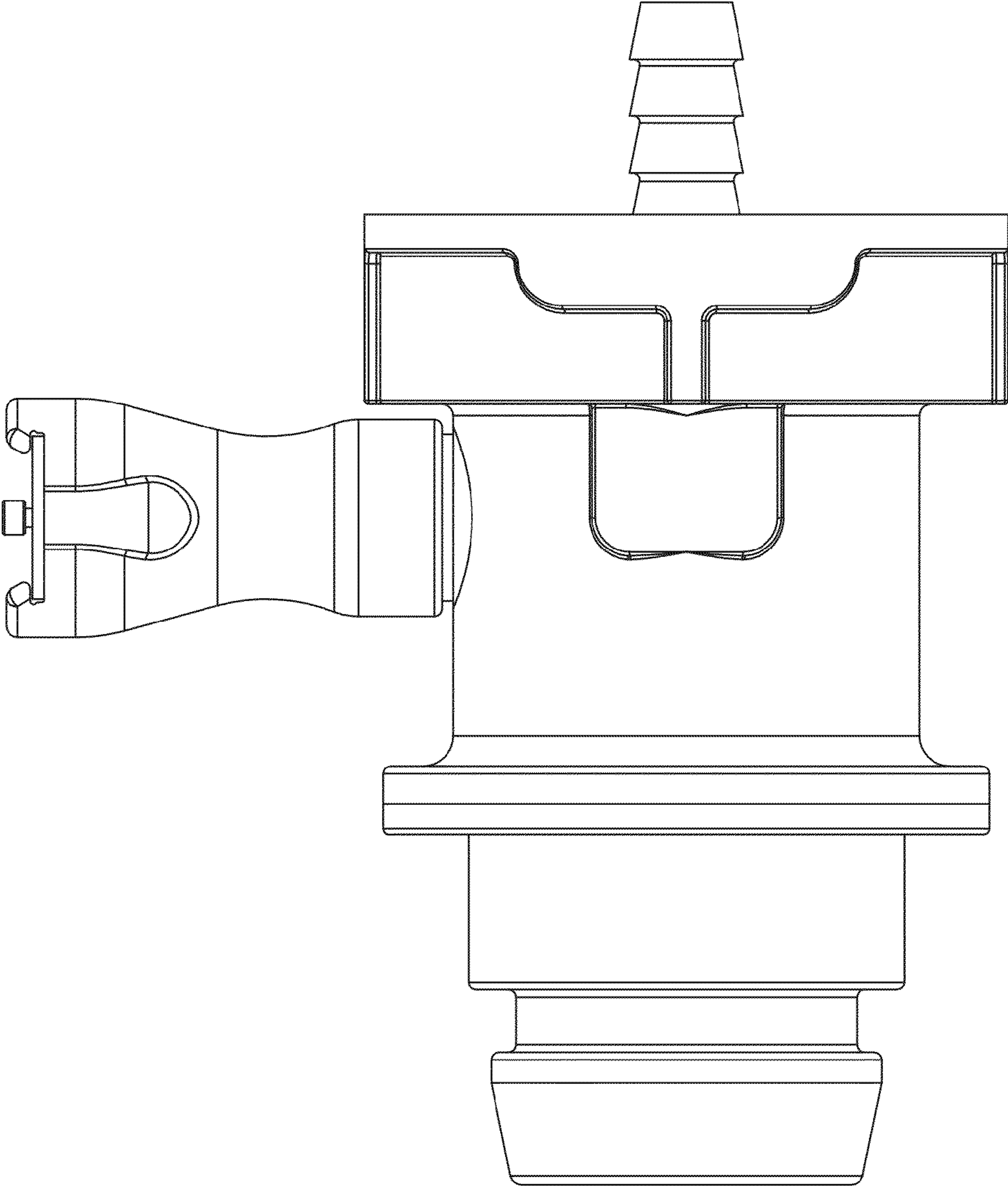


FIG. 8

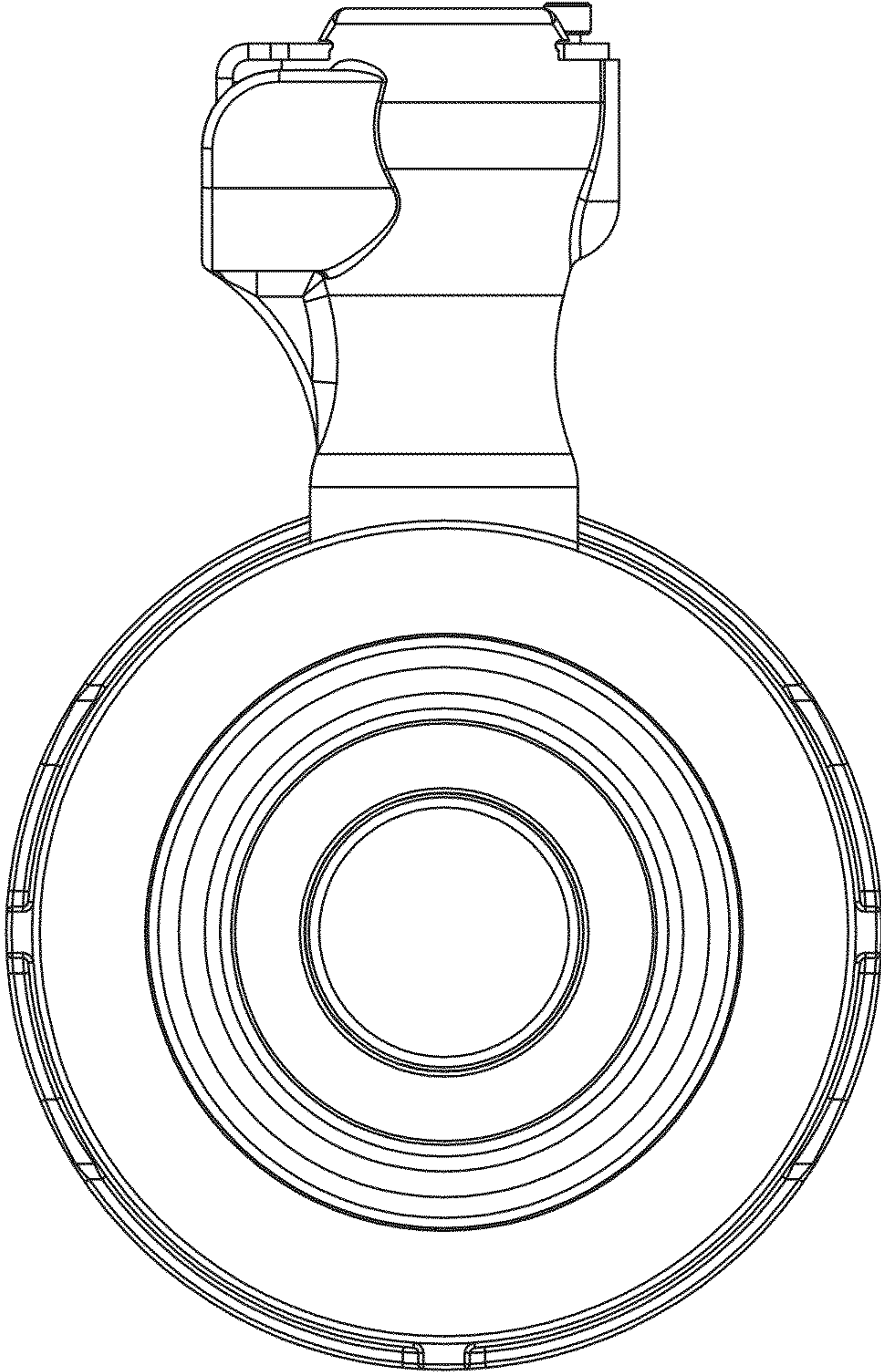
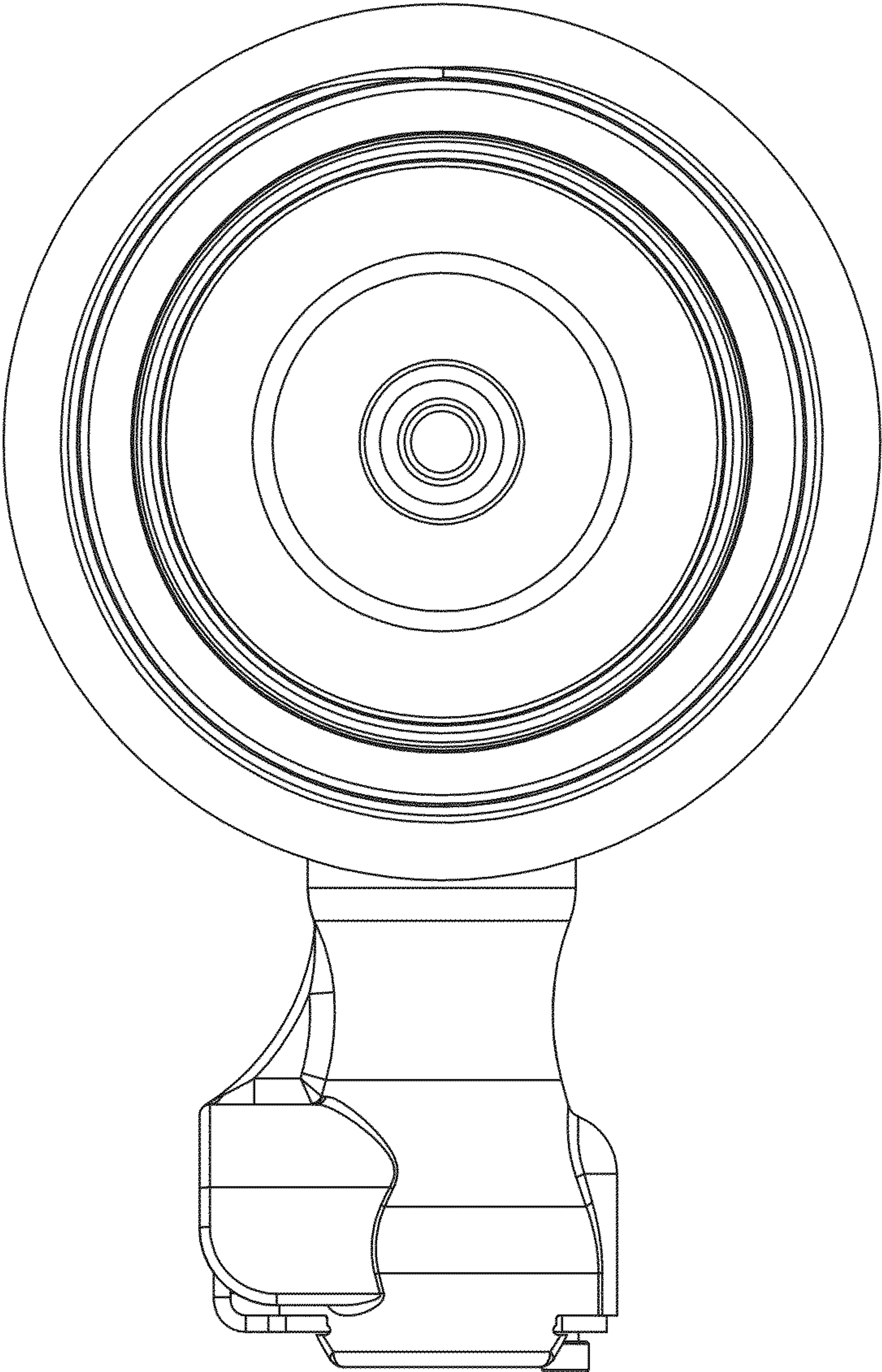


FIG. 9

FIG. 10





UNITED STATES PATENT AND TRADEMARK OFFICE  
**CERTIFICATE OF CORRECTION**

PATENT NO. : D724,703 S  
APPLICATION NO. : 29/428564  
DATED : March 17, 2015  
INVENTOR(S) : Downs et al.

Page 1 of 1

It is certified that error appears in the above-identified patent and that said Letters Patent is hereby corrected as shown below:

Title Page, Item (12) delete "Downs" and insert --Downs et al.--.

Title Page, Item (75) Inventor, should read

--(75) Inventors: Dennis Daniel Downs, Andover, MN (US); Mark Francis Schmidt, Forest Lake,  
MN (US)--.

Signed and Sealed this  
Twenty-first Day of June, 2016



Michelle K. Lee  
*Director of the United States Patent and Trademark Office*