



US00D724699S

(12) **United States Design Patent**
Wyne

(10) **Patent No.:** **US D724,699 S**
(45) **Date of Patent:** **** Mar. 17, 2015**

(54) **NOZZLE ADAPTOR**

(71) Applicant: **Mark W. Wyne**, Chesterfield, MO (US)

(72) Inventor: **Mark W. Wyne**, Chesterfield, MO (US)

(**) Term: **14 Years**

(21) Appl. No.: **29/442,096**

(22) Filed: **Dec. 5, 2012**

(51) **LOC (10) Cl.** **23-01**

(52) **U.S. Cl.**
USPC **D23/259**

(58) **Field of Classification Search**
USPC D23/259-269; D8/382, 387; D13/155;
D24/129; 285/58, 83

See application file for complete search history.

(56) **References Cited**

U.S. PATENT DOCUMENTS

2,866,473	A *	12/1958	Schutter	137/560
3,346,279	A *	10/1967	Stachiw et al.	285/353
D258,526	S *	3/1981	Nederman	D23/262
4,423,526	A *	1/1984	Izzi, Sr.	4/252.5
4,609,811	A *	9/1986	Danner	392/396
D344,242	S *	2/1994	Weise et al.	D10/80
D397,413	S *	8/1998	Sapp	D23/262
D402,354	S *	12/1998	Strong et al.	D23/259
D452,343	S *	12/2001	Pan	D26/138
6,488,845	B1 *	12/2002	Neufeld et al.	210/232
D543,947	S *	6/2007	Phung et al.	D13/151
D554,067	S *	10/2007	Phung et al.	D13/151
D576,258	S *	9/2008	Ribers	D23/262

D676,943	S *	2/2013	Kluss et al.	D23/262
D688,283	S *	8/2013	Choi	D15/152
2002/0134854	A1 *	9/2002	Jones	239/99

OTHER PUBLICATIONS

Forney 75533 Brass Fitting Reducer Adapter, Jul. 24, 2010, Amazon.com, <http://amzn.com/B003X5VKP8>.
Watts 12P-08 Poly Alloy PEX Male Adapter, May 13, 2009, Amazon.com, <http://amzn.com/B0029T3VWE>.

* cited by examiner

Primary Examiner — Eric Goodman

Assistant Examiner — John Reickel

(74) *Attorney, Agent, or Firm* — Paul M. Denk

(57) **CLAIM**

The ornamental design for the nozzle adaptor, as shown and described.

DESCRIPTION

FIG. 1 is a side view of a nozzle adaptor;

FIG. 2 is a top view;

FIG. 3 is a opposite side view;

FIG. 4 is a bottom view;

FIG. 5 is a front view;

FIG. 6 is a back view;

FIG. 7 is a side view of a further nozzle adaptor;

FIG. 8 is a top view;

FIG. 9 is an opposite side view;

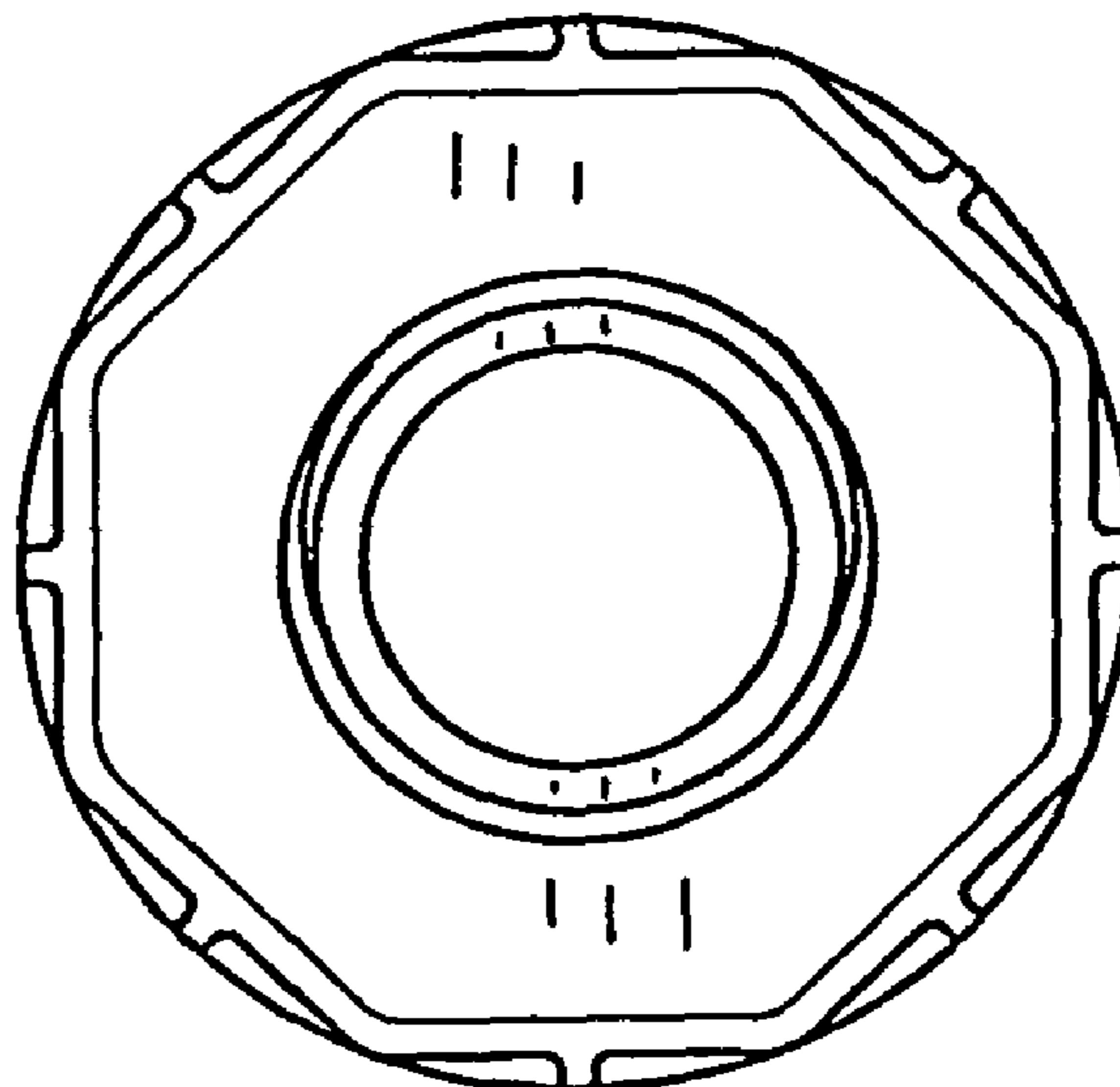
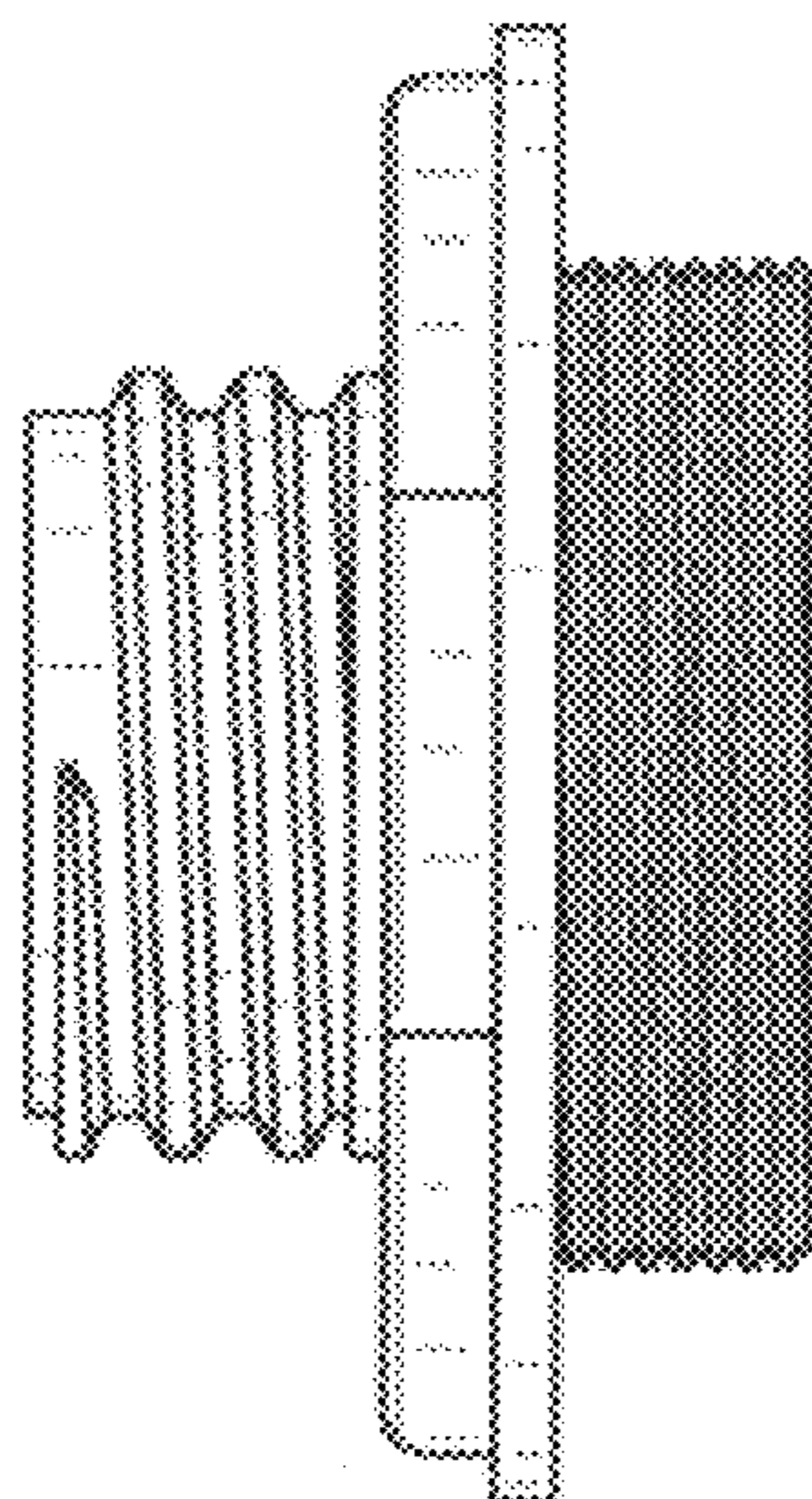
FIG. 10 is a bottom view;

FIG. 11 is a front view; and,

FIG. 12 is a back view.

The broken line showing of the interior is included for the purpose of illustrating portions of the article and forms no part of the claimed designed.

1 Claim, 2 Drawing Sheets



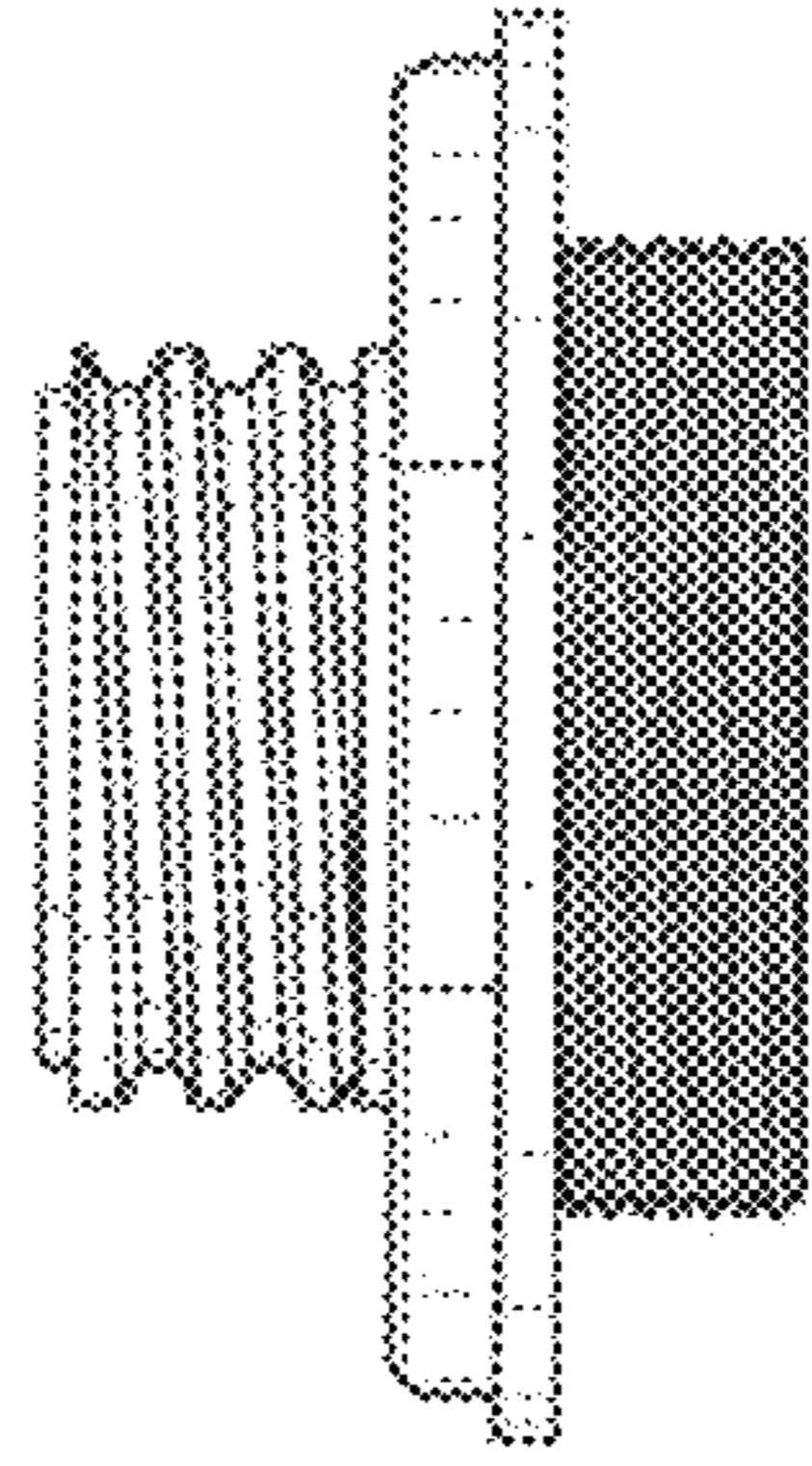


FIG. 1

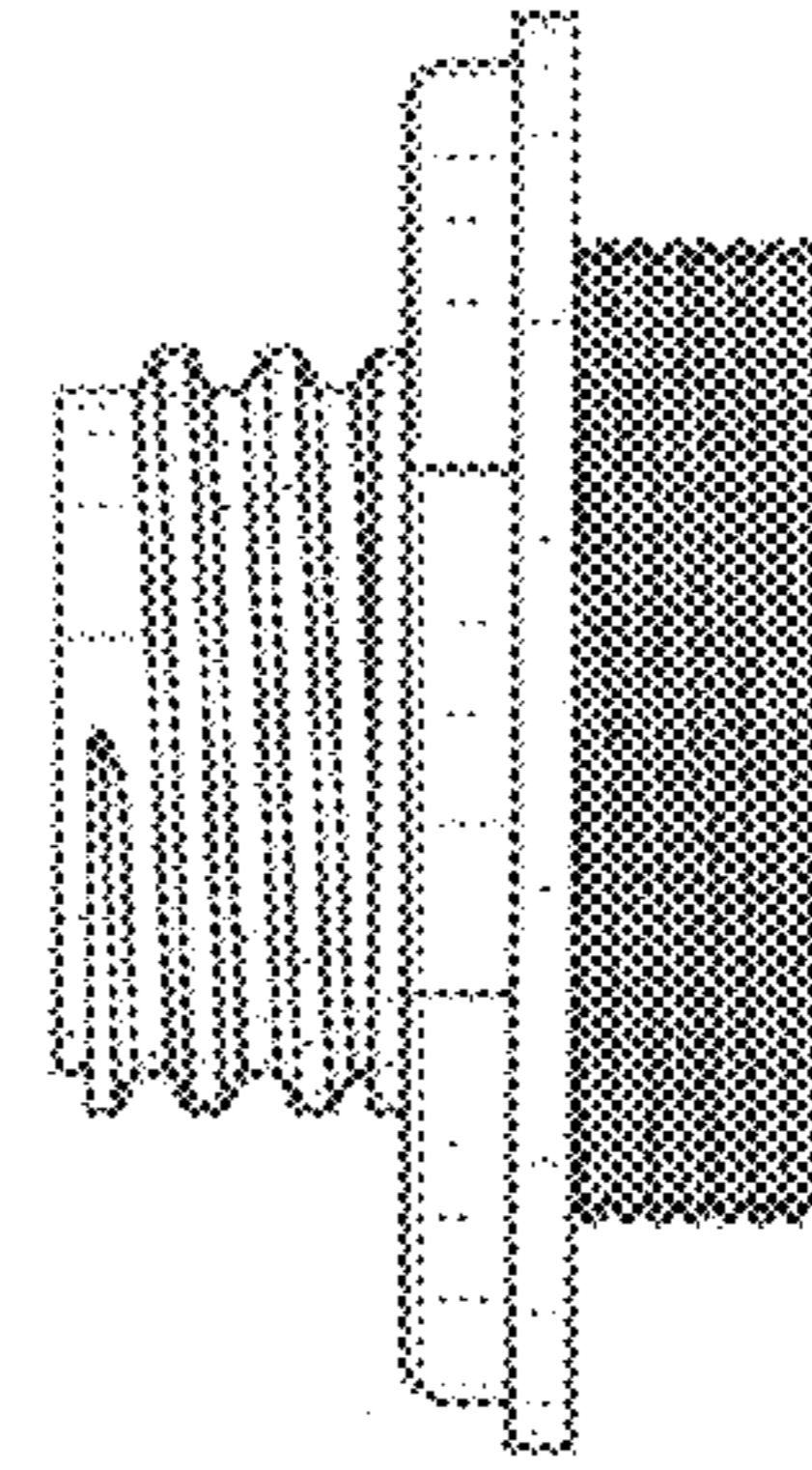


FIG. 2

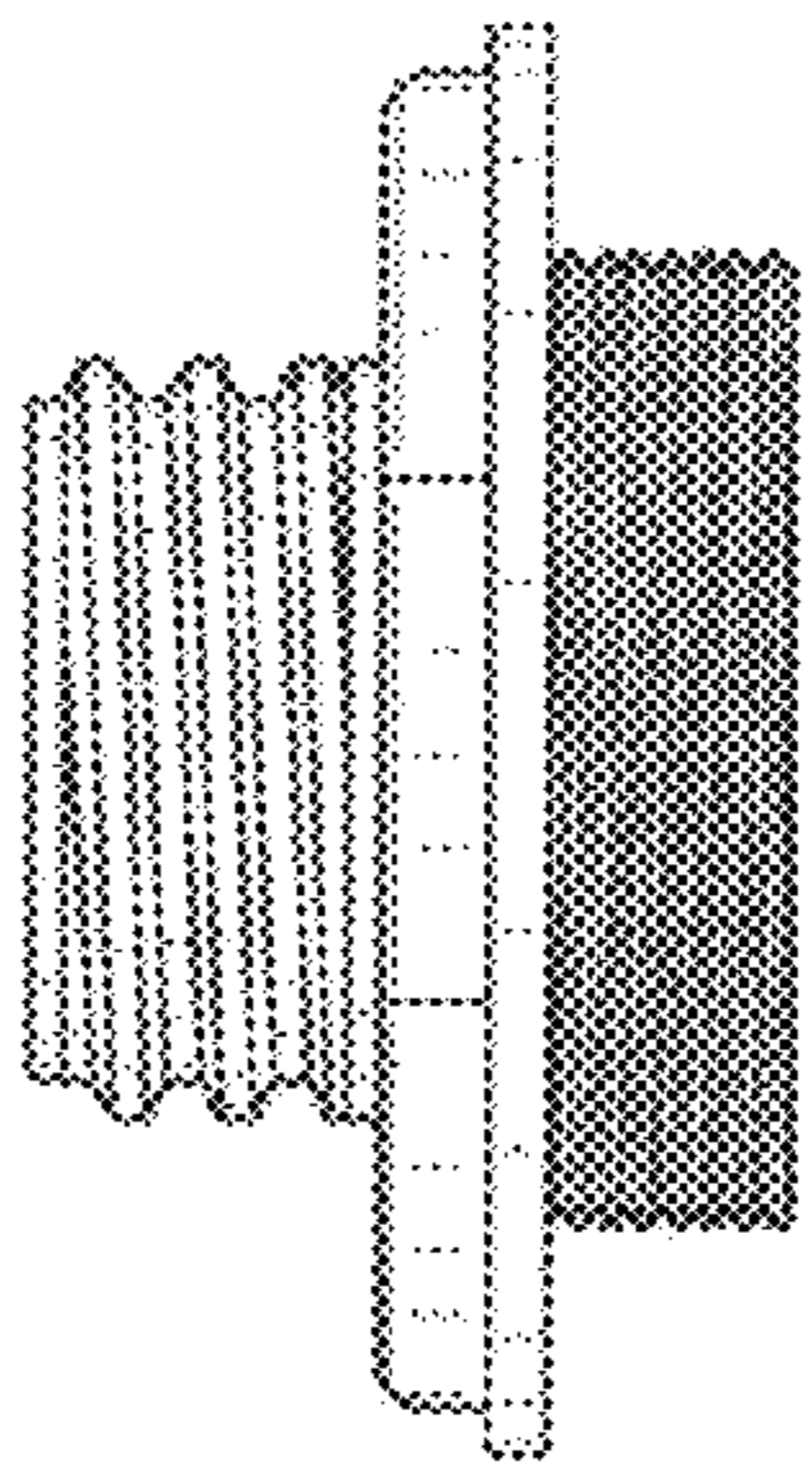


FIG. 3

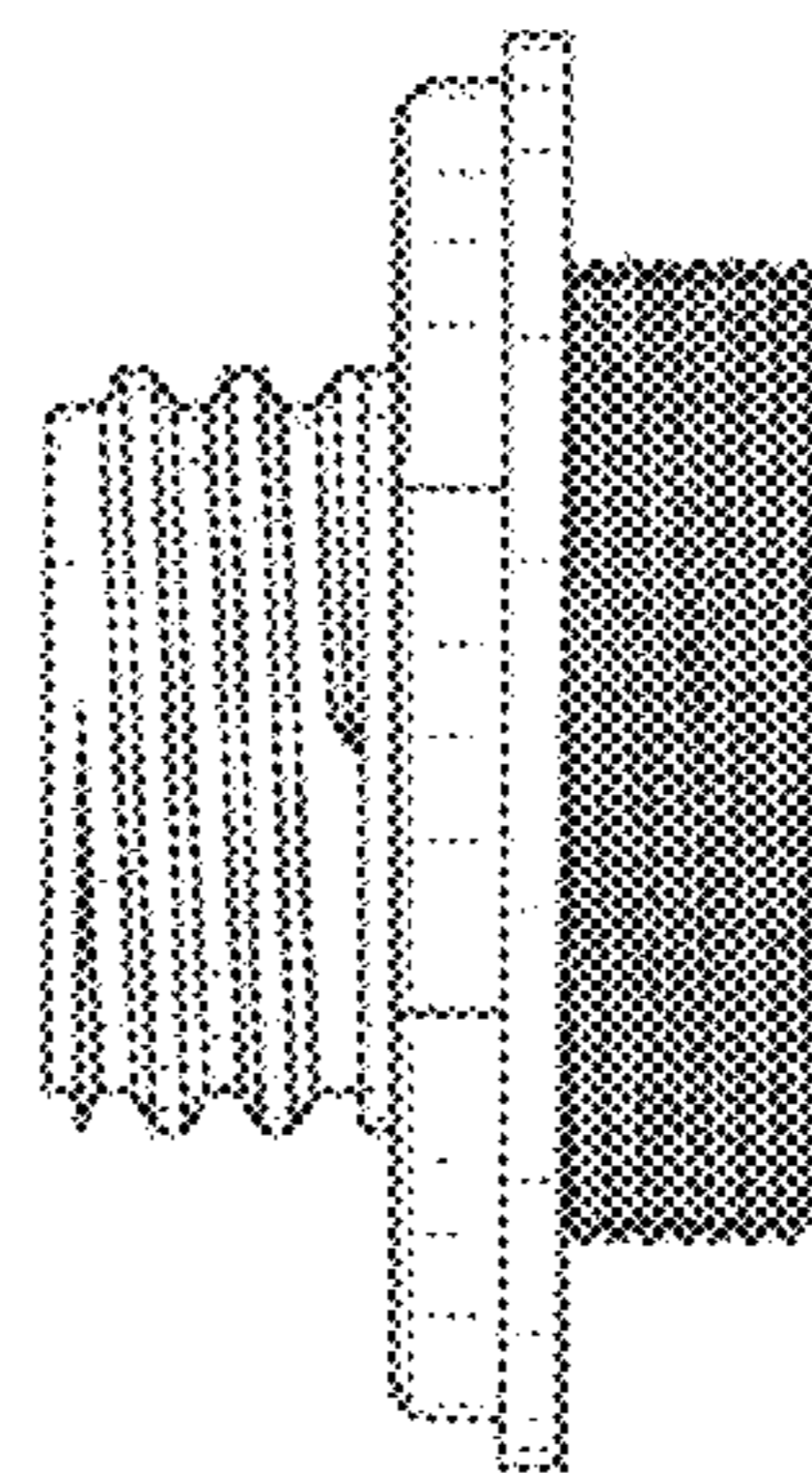


FIG. 4

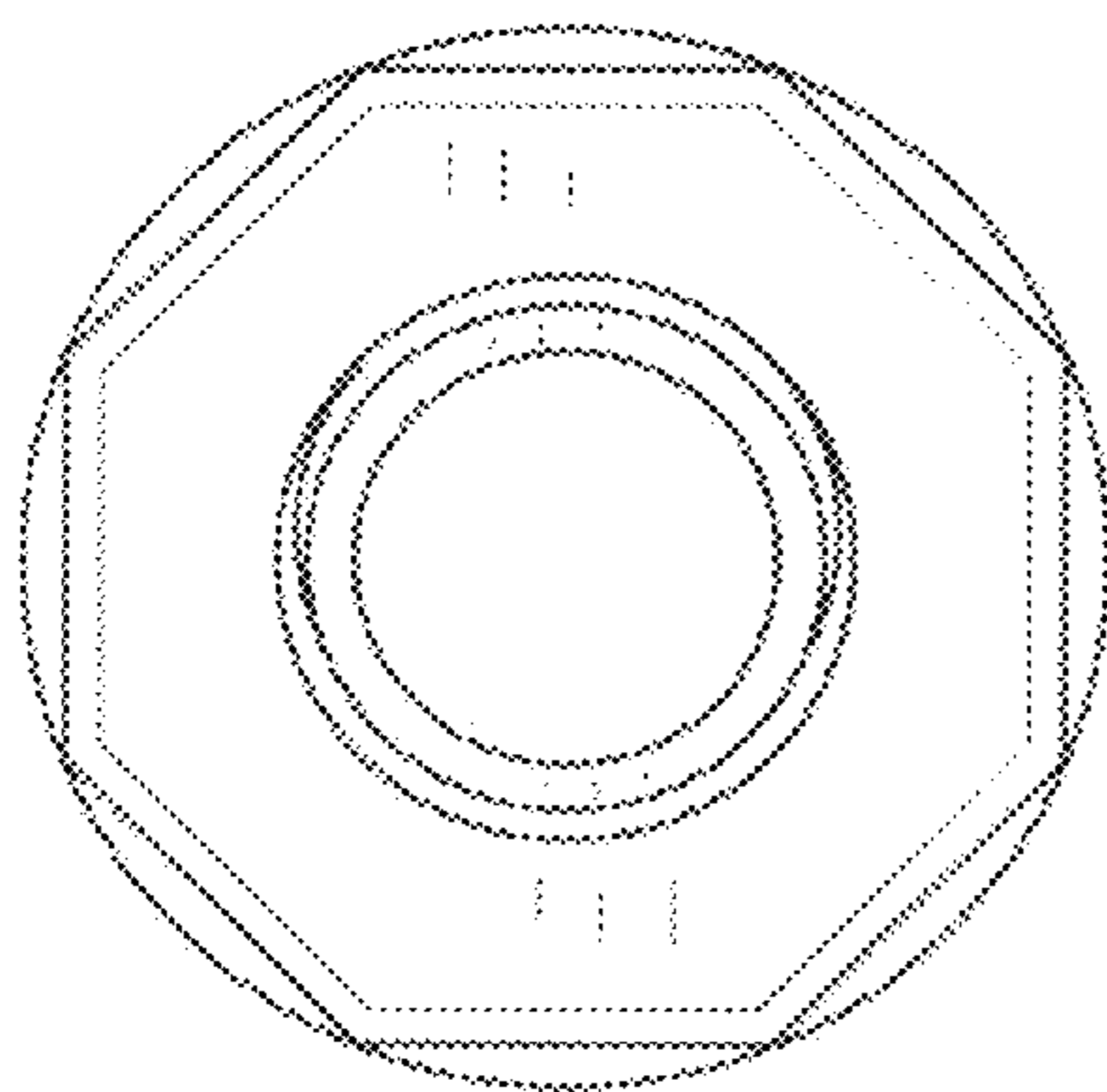


FIG. 5

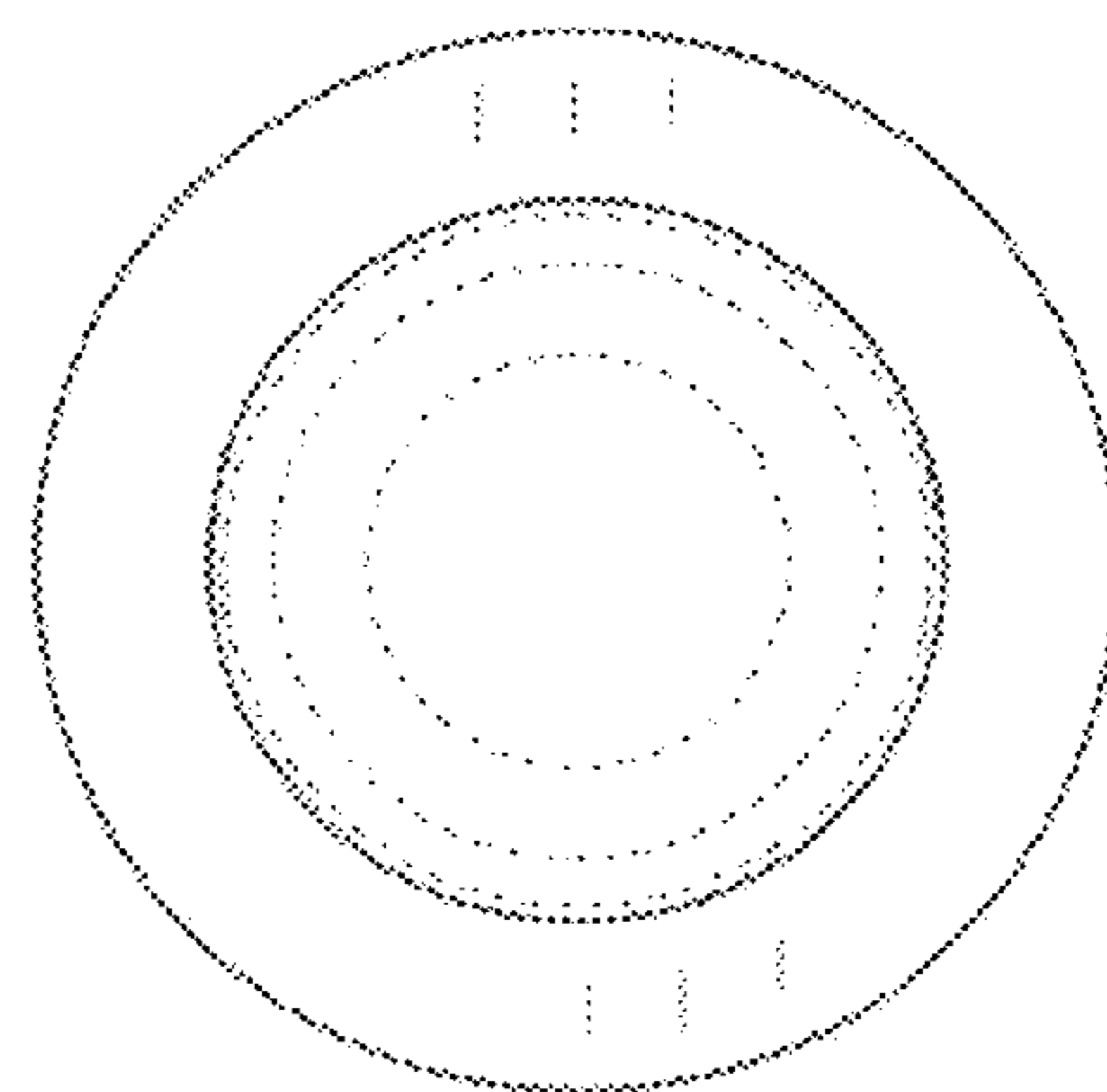


FIG. 6

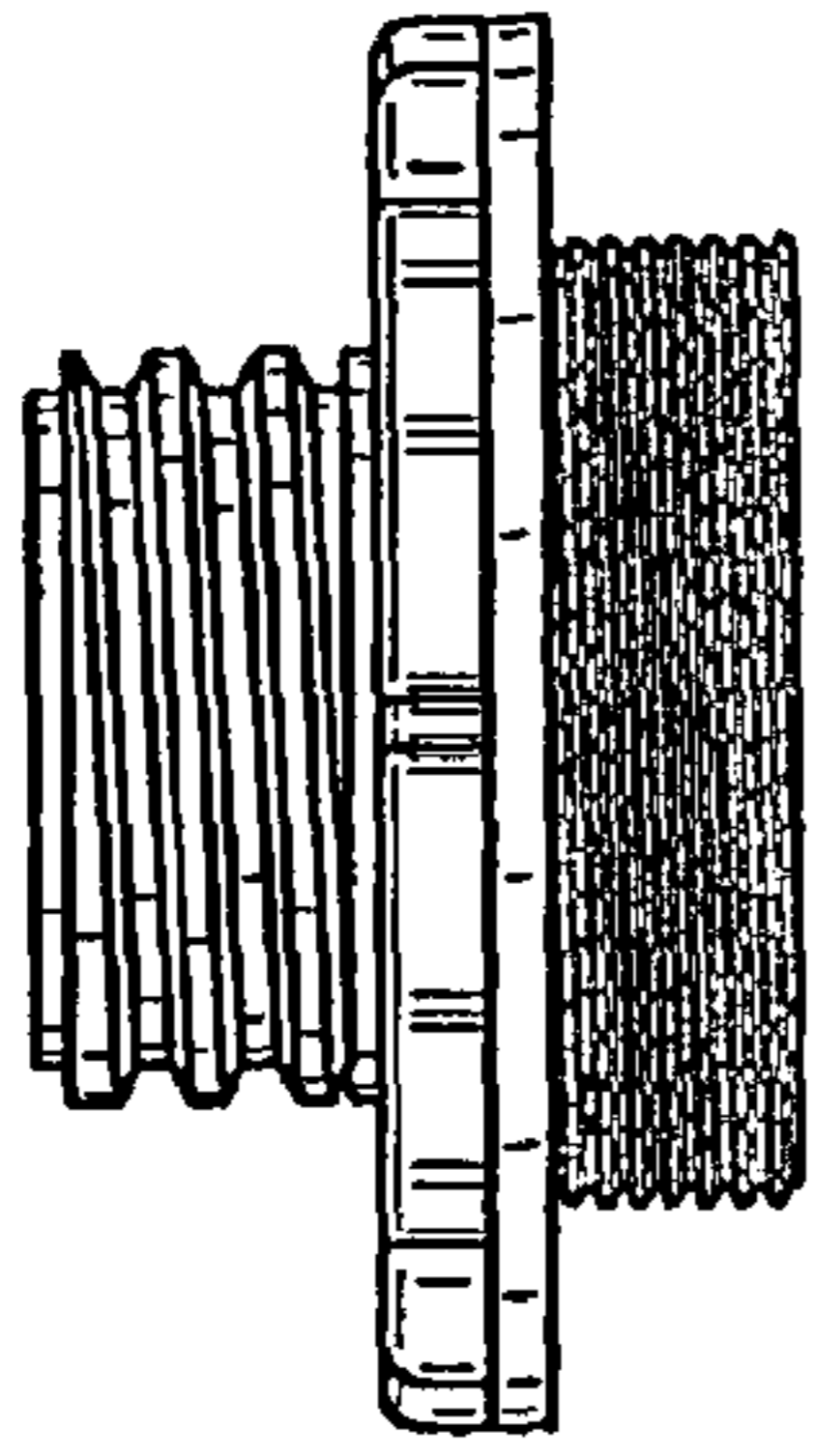


FIG. 7

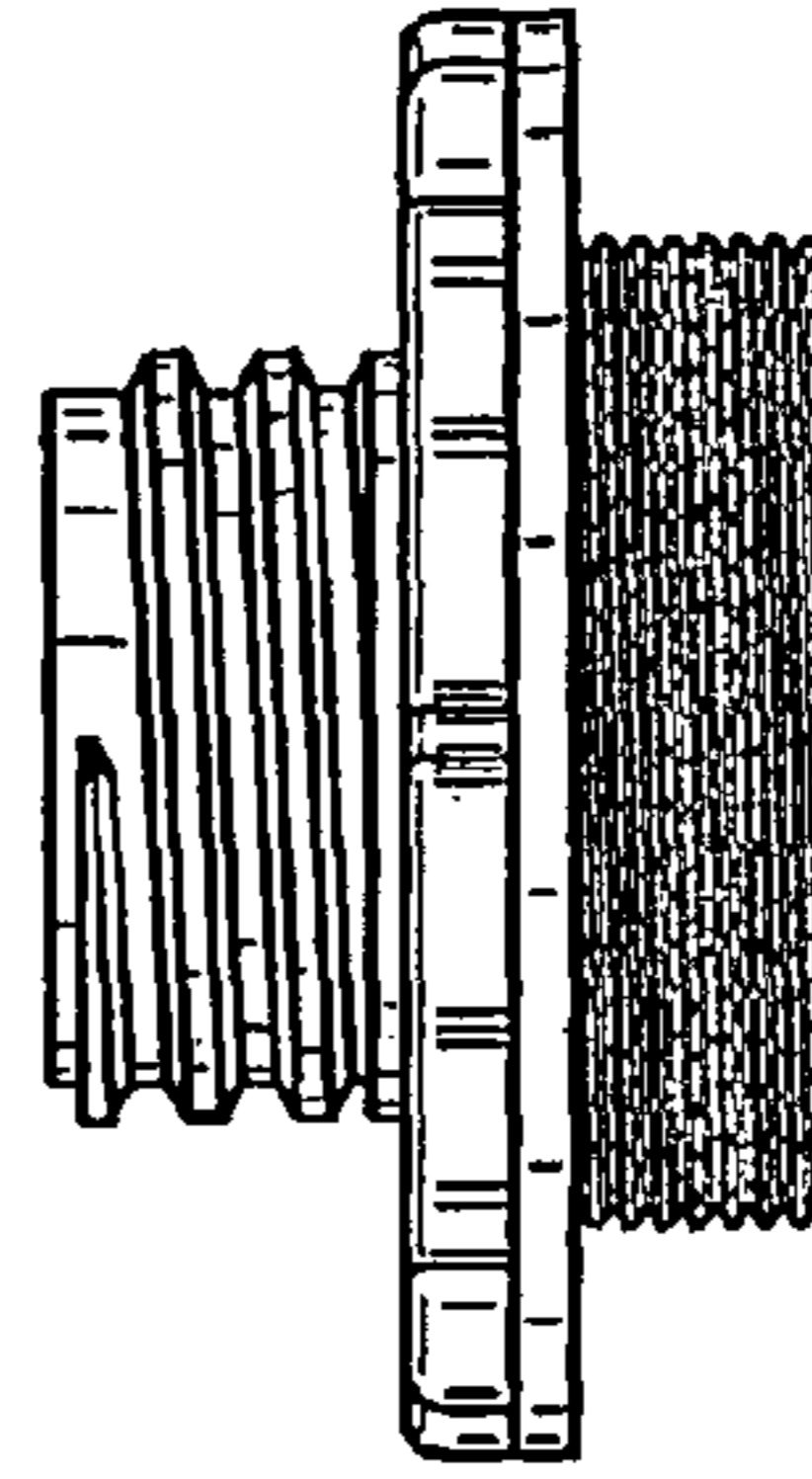


FIG. 8

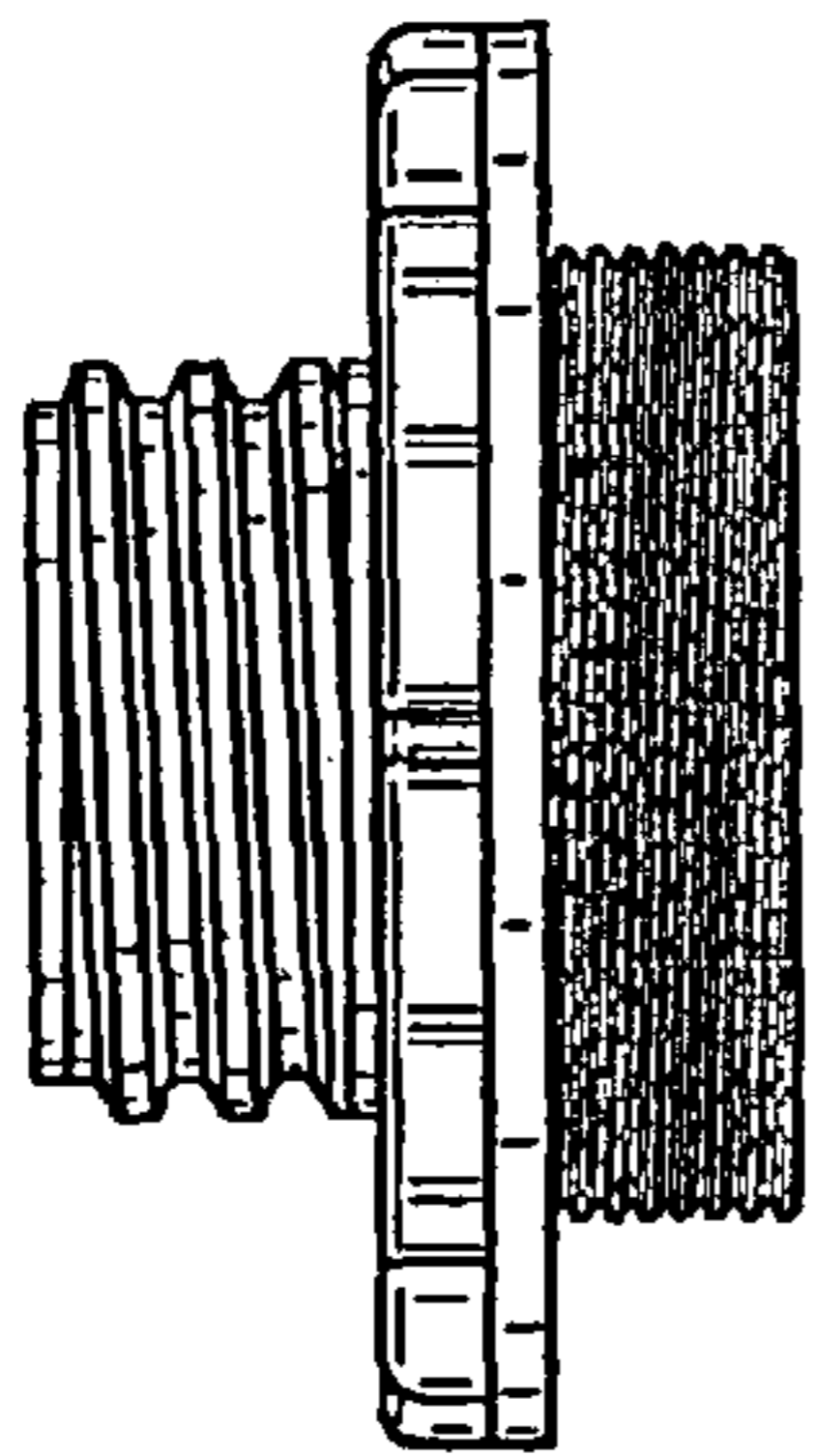


FIG. 9

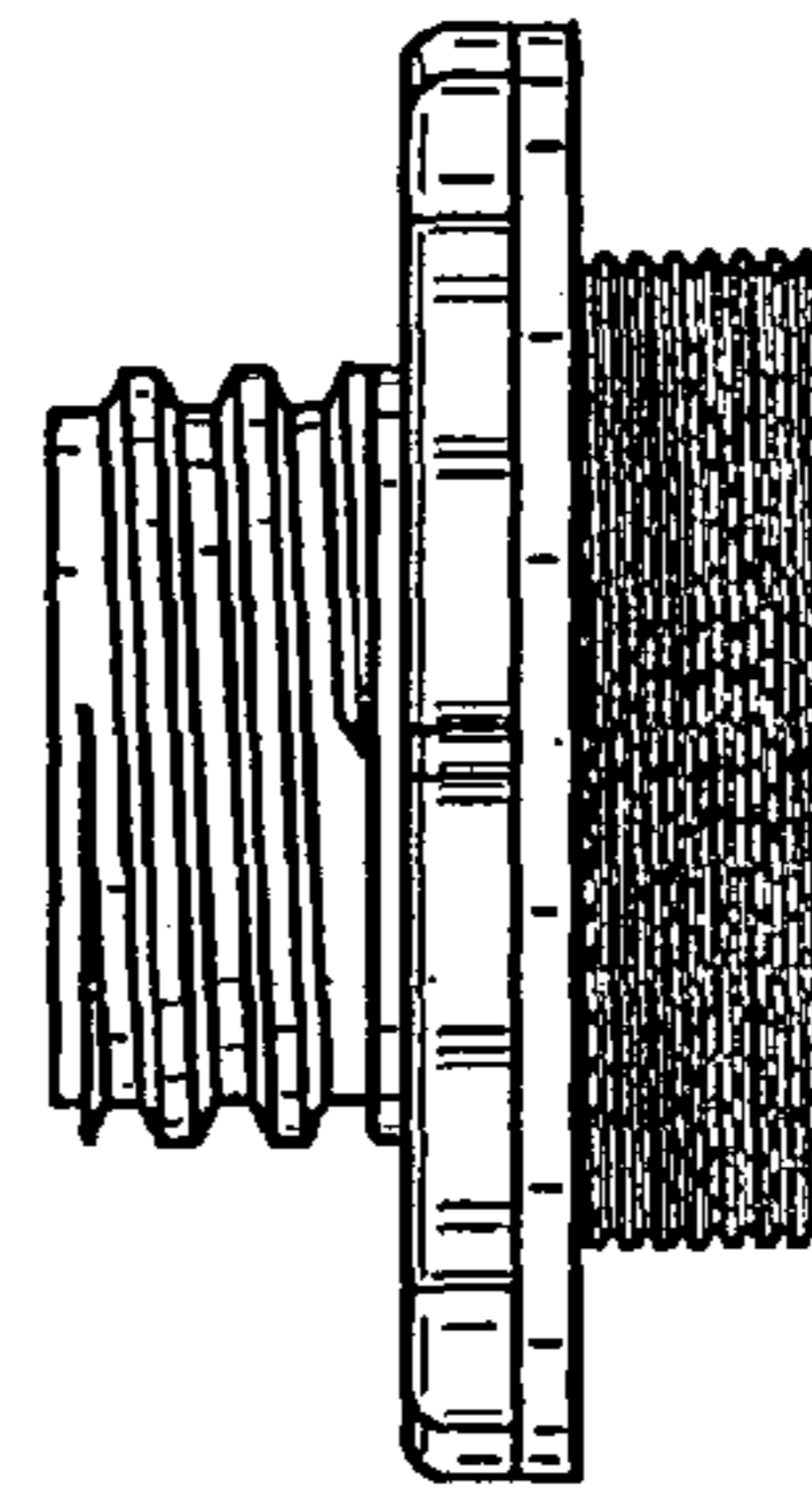


FIG. 10

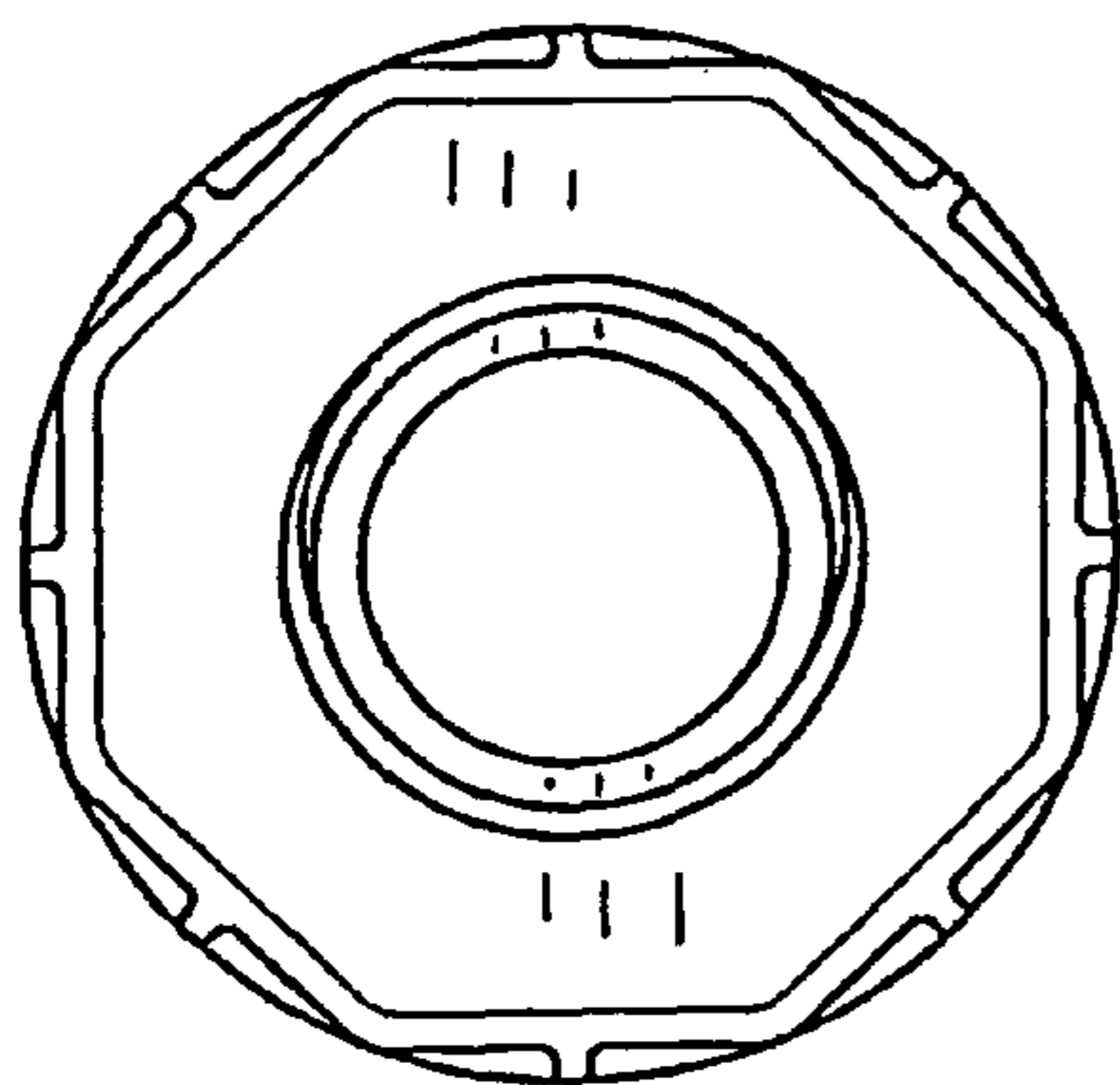


FIG. 11

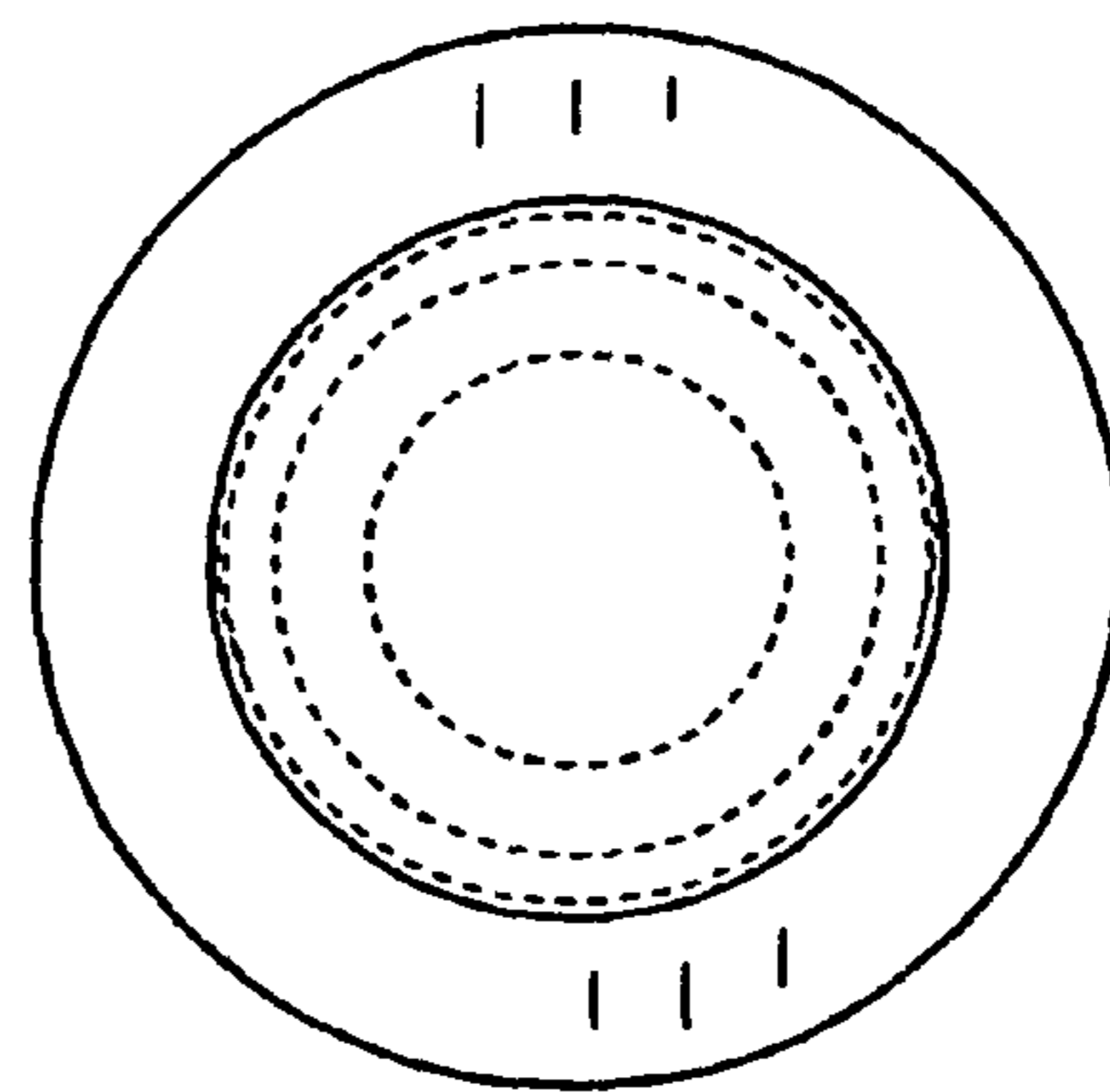


FIG. 12