



US00D724698S

(12) **United States Design Patent**  
**Kulig**

(10) **Patent No.:** **US D724,698 S**  
(45) **Date of Patent:** **\*\* Mar. 17, 2015**

- (54) **FAUCET HANDLE**
- (71) Applicant: **Graff Faucets**, Milwaukee, WI (US)
- (72) Inventor: **Zbigniew Kulig**, Wadsworth, IL (US)
- (73) Assignee: **Graff Faucets**, Milwaukee, WI (US)
- (\*\*) Term: **14 Years**
- (21) Appl. No.: **29/495,331**
- (22) Filed: **Jun. 30, 2014**
- (51) **LOC (10) Cl.** ..... **23-01**
- (52) **U.S. Cl.**  
USPC ..... **D23/252**
- (58) **Field of Classification Search**  
CPC ..... E03C 1/04; E03C 1/0401; E03C 1/0402;  
E03C 1/0404  
USPC ..... D23/238, 241–243, 249–250, 252, 254  
See application file for complete search history.

- D624,991 S 10/2010 Kulig
- D636,061 S 4/2011 Kulig
- D636,463 S 4/2011 Kulig
- 8,826,932 B2\* 9/2014 Seal et al. .... 4/678

**OTHER PUBLICATIONS**

Blanco America, Decorative Bar Faucets [http://www.blancoamerica.com/bar\\_13\\_faucets.html](http://www.blancoamerica.com/bar_13_faucets.html) (pp. 1-2) (May 12, 2004).  
Blanco America, Kitchen Faucets [http://www.blancoamerica.com/kitchen\\_faucets.html](http://www.blancoamerica.com/kitchen_faucets.html) (pp. 1-3) (May 12, 2004).

\* cited by examiner

*Primary Examiner* — Robert Delehanty  
(74) *Attorney, Agent, or Firm* — Boyle Fredrickson, S.C.

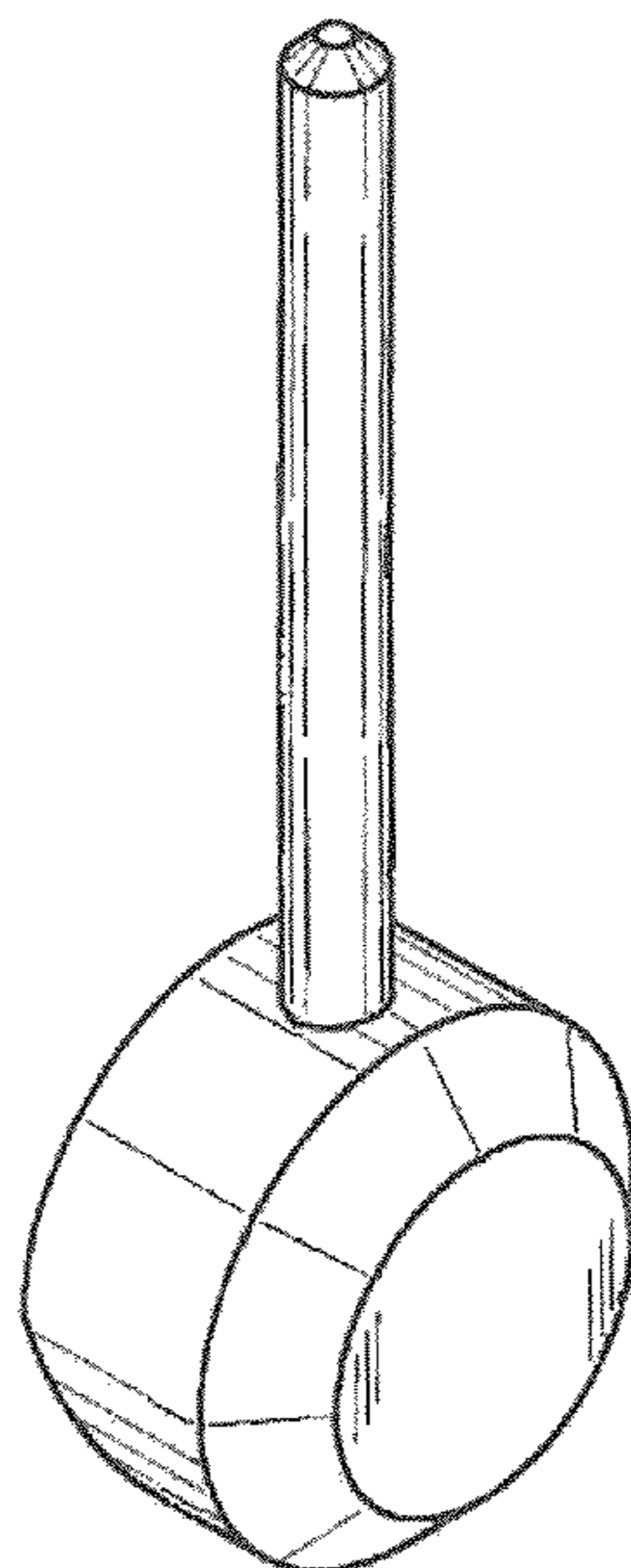
(57) **CLAIM**  
The ornamental design for a faucet handle, as shown and described.

**DESCRIPTION**

FIG. 1 is a perspective view of a faucet handle incorporating my new design, viewed from in front of, above, and from the right side of the handle;  
FIG. 2 is a front elevation view thereof;  
FIG. 3 is a rear elevation view thereof;  
FIG. 4 is a left-side elevation view thereof, with the right side being a mirror image of the left side;  
FIG. 5 is a top plan view thereof;  
FIG. 6 is a bottom plan view thereof; and,  
FIG. 7 is a perspective view of a handle as installed in relation to a faucet, viewed from in front of, above, and from the right side of the handle.  
The broken lines in FIGS. 3 and 7 are for illustrative purposes only and form no part of the claimed design.

**1 Claim, 7 Drawing Sheets**

- (56) **References Cited**  
U.S. PATENT DOCUMENTS
- D468,398 S \* 1/2003 Ziemann ..... D23/238
- D477,052 S \* 7/2003 Kollmann et al. .... D23/238
- D511,200 S 11/2005 Kulig et al.
- D511,202 S 11/2005 Kulig
- D511,560 S 11/2005 Kulig et al.
- D512,124 S 11/2005 Kulig et al.
- D512,765 S 12/2005 Kulig
- D534,246 S \* 12/2006 Chu et al. .... D23/238
- D534,622 S \* 1/2007 Chu et al. .... D23/238
- D597,175 S 7/2009 Kulig
- D611,124 S \* 3/2010 Schoenherr et al. .... D23/238



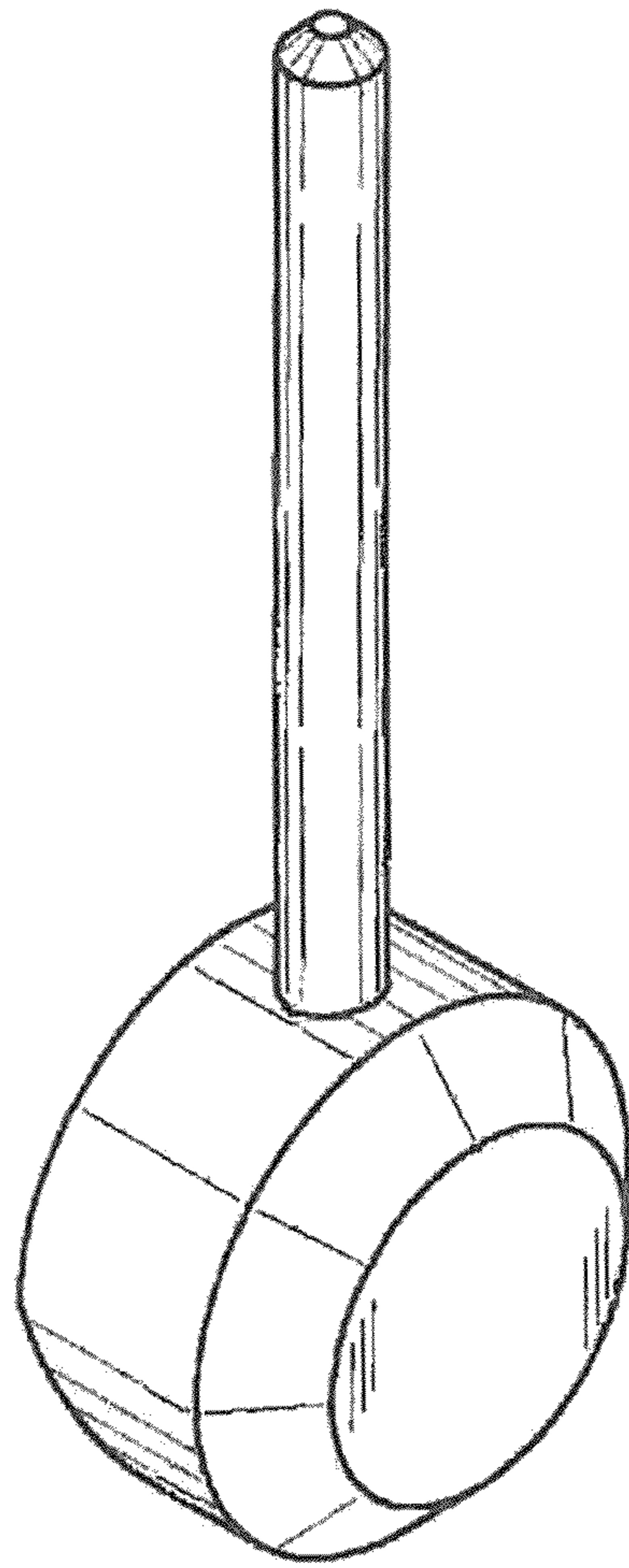


FIG. 1

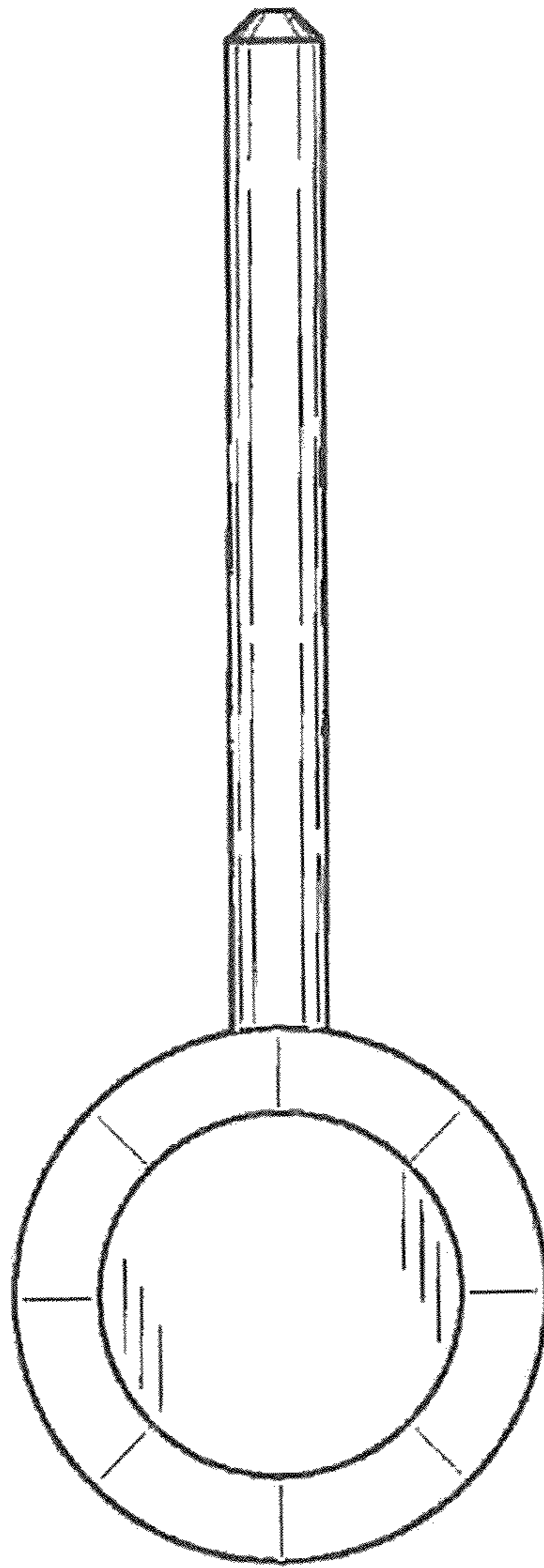


FIG. 2

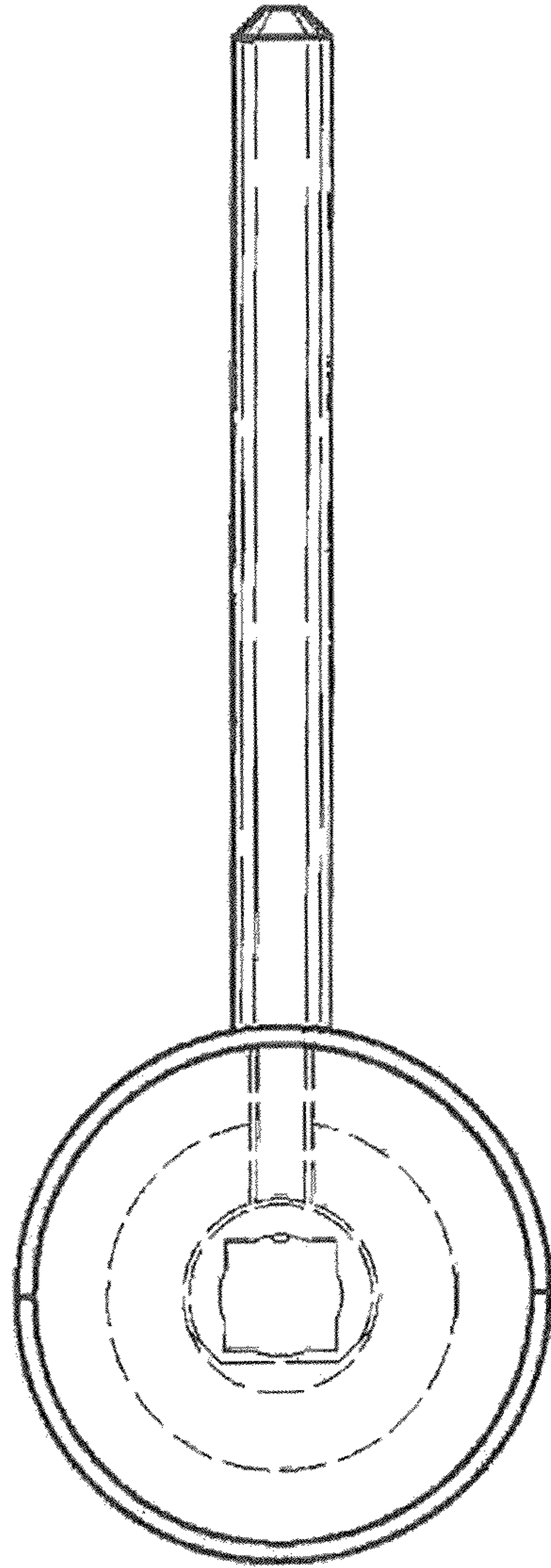


FIG. 3

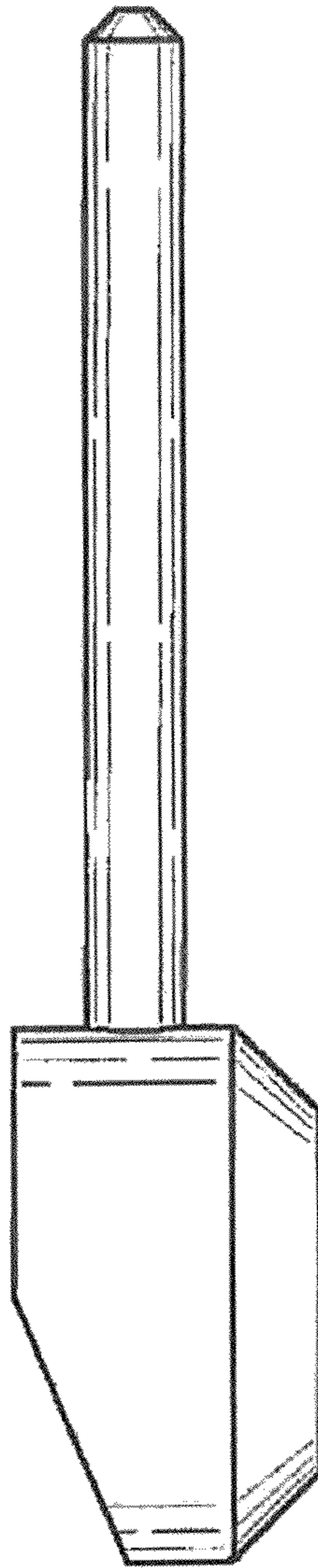


FIG. 4

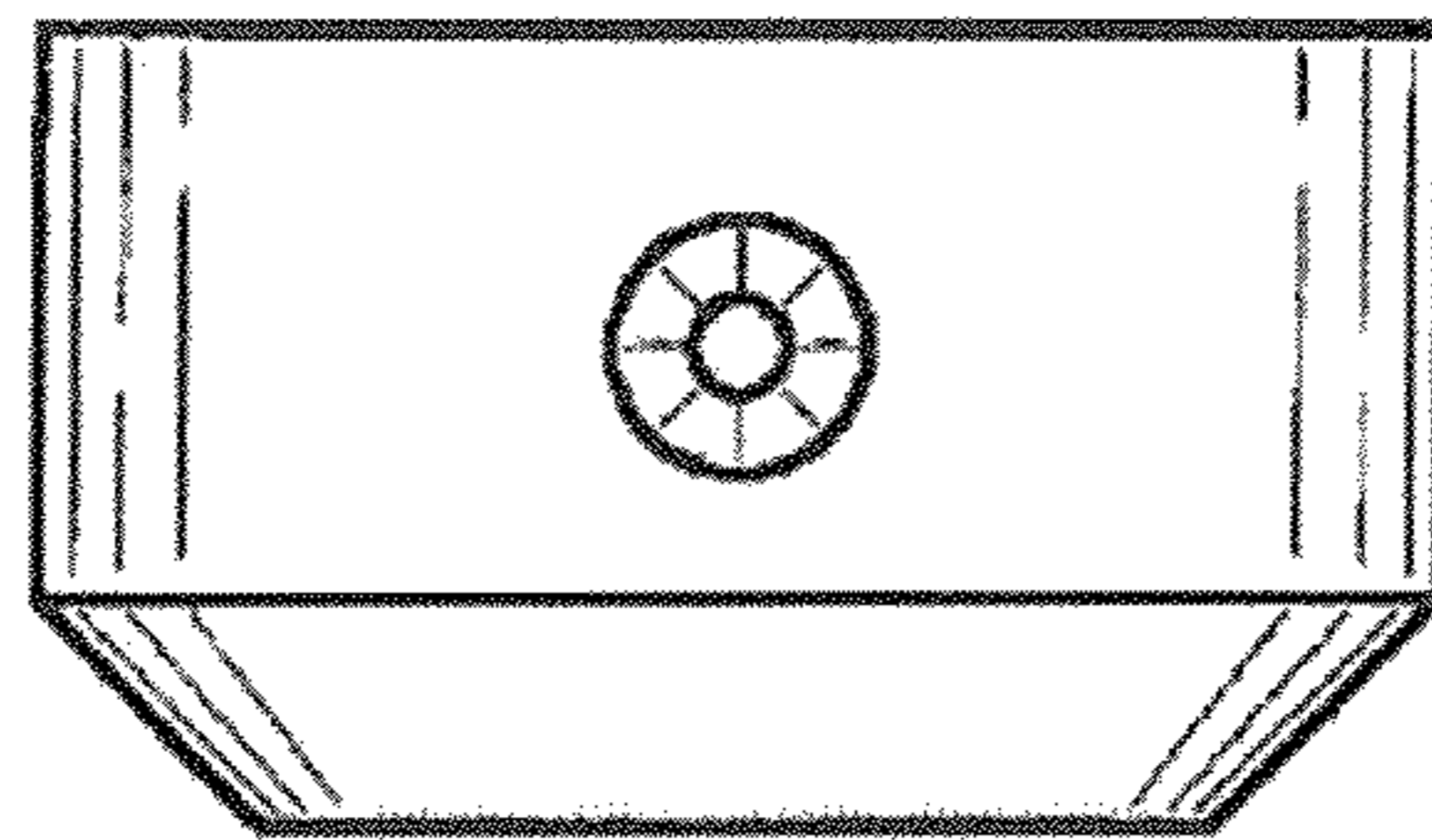


FIG. 5

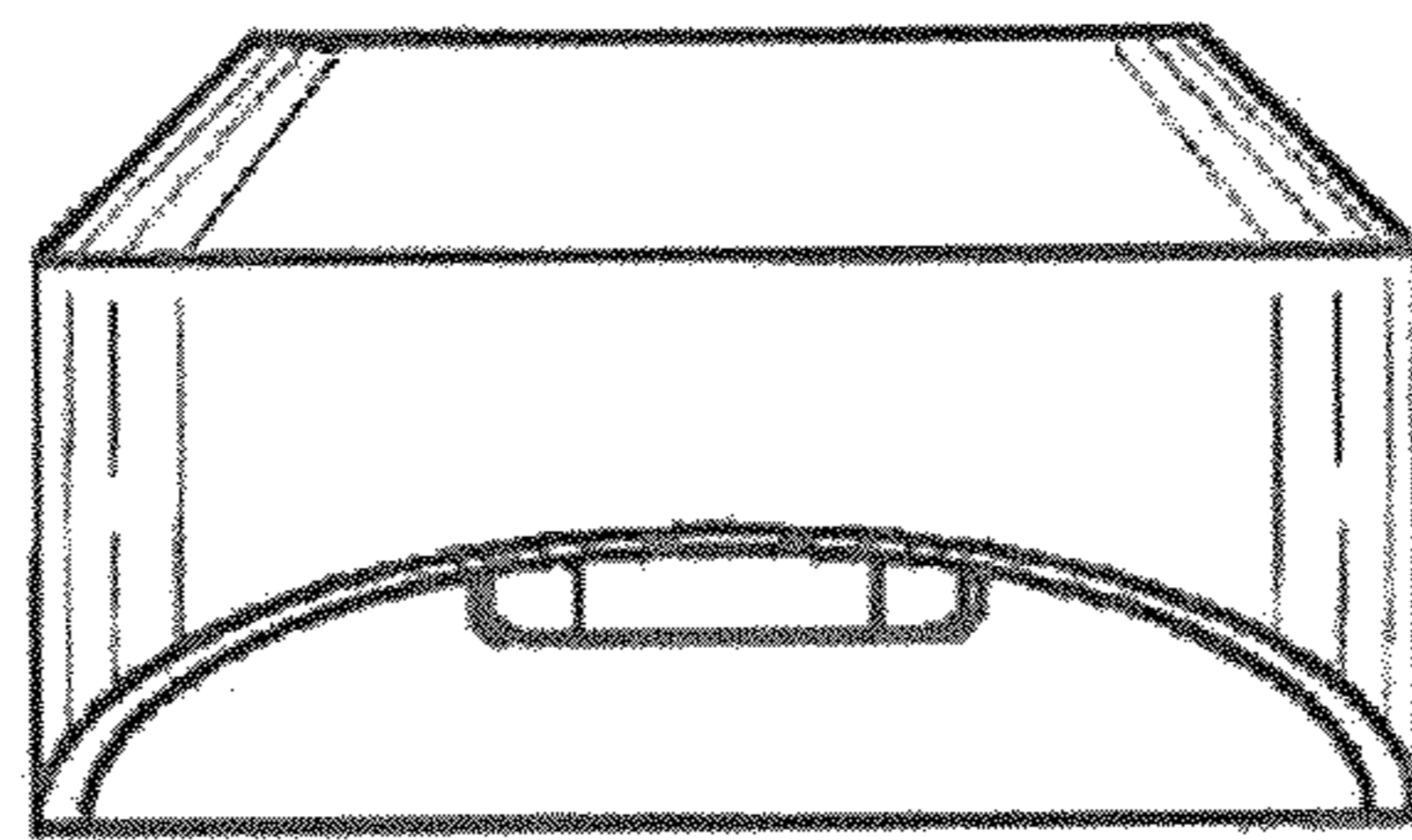


FIG. 6

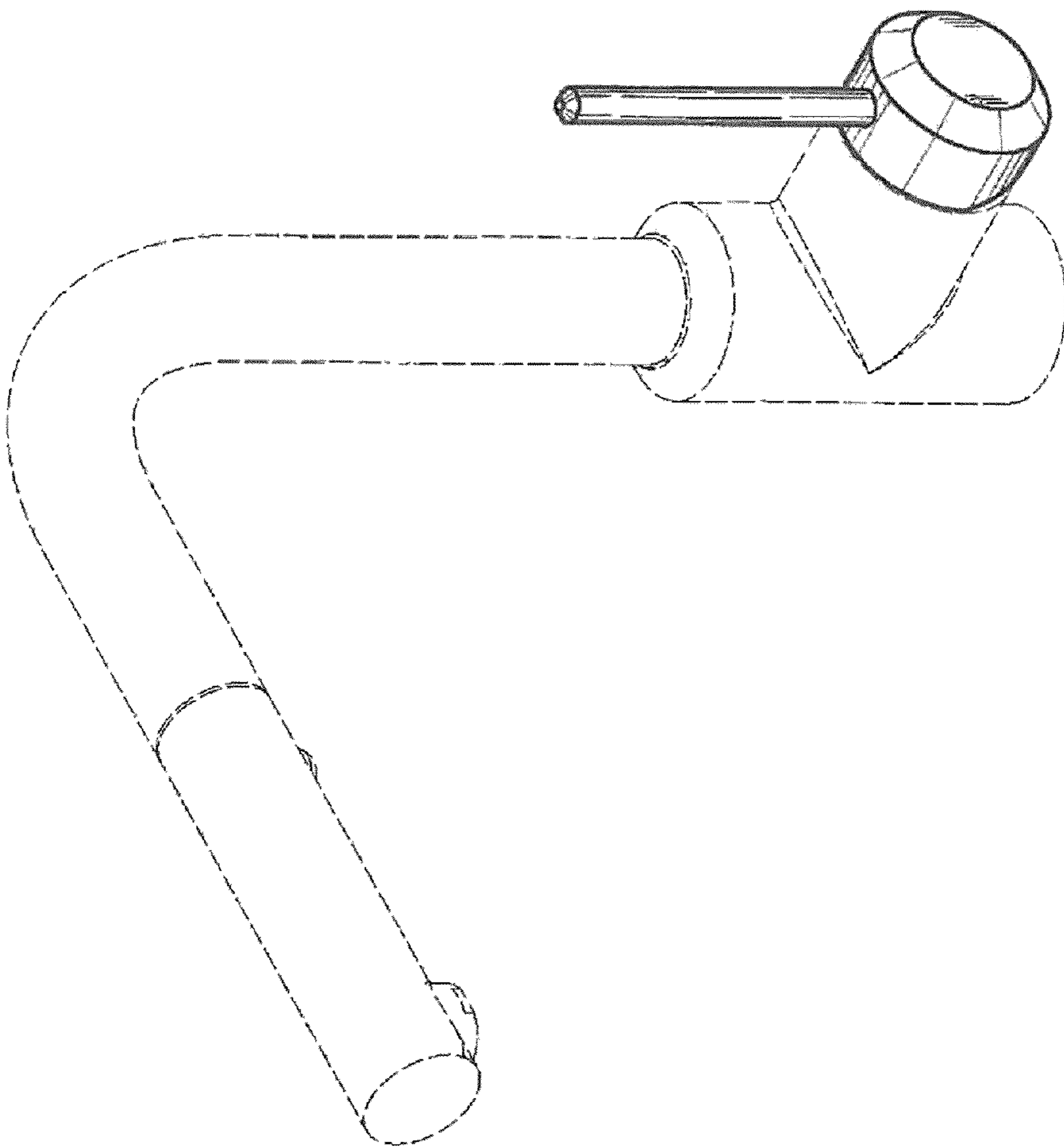


FIG. 7