



US00D724696S

(12) **United States Design Patent**
Barmoav et al.

(10) **Patent No.:** **US D724,696 S**
(45) **Date of Patent:** **** Mar. 17, 2015**

(54) **POP-UP SPRAY HEAD**

(71) Applicant: **Sovi Square Ltd.**, Reishon Lezion (IL)

(72) Inventors: **Felix Barmoav**, Rishon Lezion (IL);
Haim Slotin, Oranit (IL); **Omri Avraham**, Ramat Hashoron (IL)

(73) Assignee: **Sovi Square Ltd.**, Rishon Leziyon (IL)

(**) Term: **14 Years**

(21) Appl. No.: **29/468,563**

(22) Filed: **Oct. 1, 2013**

Related U.S. Application Data

(63) Continuation-in-part of application No. 13/585,626, filed on Aug. 14, 2012.

(51) **LOC (10) Cl.** **23-01**

(52) **U.S. Cl.**
USPC **D23/214**

(58) **Field of Classification Search**
USPC D23/213, 214, 218; 239/200–206, 500;
169/37
See application file for complete search history.

(56) **References Cited**

U.S. PATENT DOCUMENTS

1,510,930 A	10/1924	Enell
1,593,918 A	7/1926	Stanton
1,618,538 A	2/1927	Kittinger
1,726,490 A	8/1929	Irving et al.
1,766,514 A	6/1930	Henry
1,799,243 A	4/1931	Miller
1,827,961 A	10/1931	Thompson
1,862,381 A	6/1932	Le Moon
1,881,409 A	10/1932	Le Moon
1,882,922 A	10/1932	Robinson
1,931,761 A	10/1933	Hertel

1,938,838 A	12/1933	Jacobson
1,962,824 A	6/1934	Lindquist
2,048,125 A	7/1936	Irving
2,076,753 A	4/1937	Thompson
2,128,552 A	8/1938	Rader
2,434,767 A	1/1948	Hertel
2,475,537 A	7/1949	Ashworth

(Continued)

OTHER PUBLICATIONS

Patent Cooperation Treaty: PCT International Search Report including "Written Opinion of the International Searching Authority" (PCT Rule 43bis.1) for the corresponding International Patent Application No. PCT/US2012/050801; Date of Mailing: Dec. 27, 2012.

Primary Examiner — Robin V Webster

(74) *Attorney, Agent, or Firm* — M&B IP Analysts, LLC

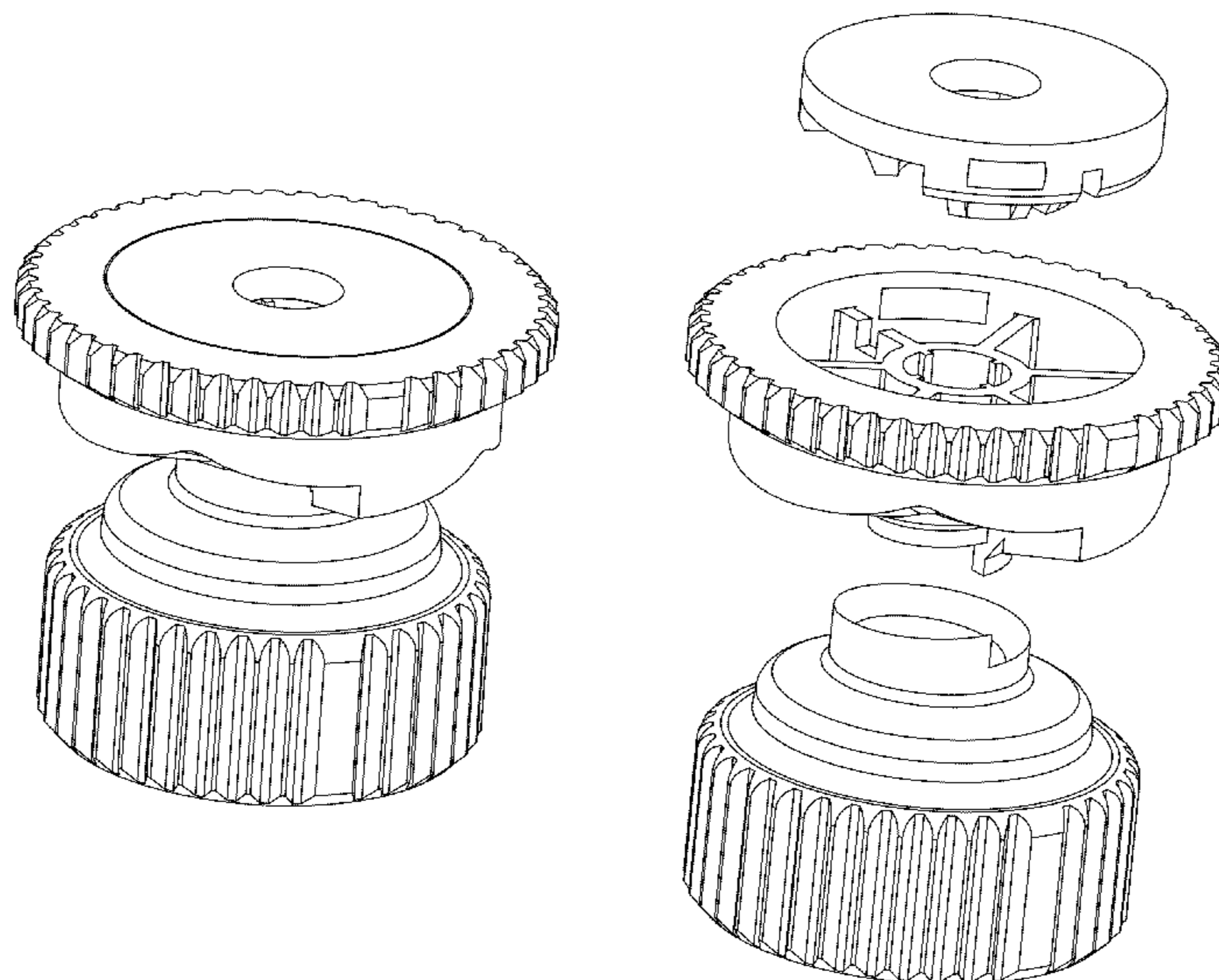
(57) **CLAIM**

The ornamental design for a pop-up spray head, as shown and described.

DESCRIPTION

FIG. 1 is a perspective view of a pop-up spray head showing an embodiment of our new design;
FIG. 2 is a top plan view thereof;
FIG. 3 is a front elevational view thereof;
FIG. 4 is a rear elevational view thereof;
FIG. 5 is a right side elevational view thereof;
FIG. 6 is a left side elevational view thereof;
FIG. 7 is a bottom plan view thereof;
FIG. 8 is an exploded perspective view of the pop-up spray head shown in FIG. 1, showing a base, a deflector, and a cap;
FIG. 9 is a top plan view of the base shown in FIG. 8;
FIG. 10 is a side elevational view thereof;
FIG. 11 is a top plan view of the deflector shown in FIG. 8;
FIG. 12 is a side elevational view thereof; and,
FIG. 13 is a bottom plan view thereof.

1 Claim, 10 Drawing Sheets



(56)

References Cited

U.S. PATENT DOCUMENTS

2,571,763 A	10/1951	Robbins	5,322,223 A	6/1994	Hadar
2,601,559 A	6/1952	Riblet	5,556,036 A	9/1996	Chase
2,935,266 A	5/1960	Coleondro et al.	5,669,449 A	9/1997	Polan et al.
2,943,798 A	7/1960	Rienks	5,829,532 A	11/1998	Meyer et al.
2,954,171 A	9/1960	Hruby, Jr	6,145,758 A	11/2000	Ogi et al.
2,999,643 A	9/1960	Kennedy	6,223,999 B1	5/2001	Lemelshtich
3,006,558 A	10/1961	Jacobs	6,443,372 B1	9/2002	Hsu
3,095,148 A	6/1963	Smith	D473,284 S *	4/2003	Pong D23/213
3,362,641 A	1/1968	Barnes	D473,286 S *	4/2003	Bonzer D23/213
3,398,894 A	8/1968	D'Agaro	6,799,732 B2 *	10/2004	Sirkin 239/205
3,452,930 A	7/1969	Karbo	6,820,825 B1	11/2004	Wang
3,940,066 A	2/1976	Hunter	6,899,285 B2 *	5/2005	Goettl et al. 239/200
4,079,762 A	3/1978	Hanson, Jr.	6,976,543 B1	12/2005	Fischer
4,154,404 A	5/1979	Clawson	D516,669 S *	3/2006	Antonucci et al. D23/214
4,189,099 A	2/1980	Bruninga	7,429,005 B2	9/2008	Schapper et al.
D276,453 S *	11/1984	DeVroom D23/214	7,581,687 B2	9/2009	Feith et al.
D276,743 S *	12/1984	Clivio et al. D23/218	7,584,802 B1	9/2009	Fischer
4,579,285 A	4/1986	Hunter	7,621,467 B1	11/2009	Garcia
4,580,729 A	4/1986	Pounder	D616,962 S *	6/2010	Allen et al. D23/214
4,625,917 A	12/1986	Torney	7,988,071 B2	8/2011	Bredberg
D293,815 S *	1/1988	Scott et al. D23/218	8,122,969 B1	2/2012	Fischer
D299,156 S *	12/1988	Heren D23/214	8,366,020 B2 *	2/2013	Wang et al. 239/237
4,834,292 A	5/1989	Dyck	2002/0130202 A1	9/2002	Kah, Jr. et al.
D319,489 S *	8/1991	Han et al. D23/214	2005/0161534 A1	7/2005	Kah et al.
5,083,709 A	1/1992	Iwanowski	2007/0267516 A1	11/2007	Feith et al.
5,205,491 A	4/1993	Hadar	2009/0008484 A1	1/2009	Feith et al.
5,226,602 A	7/1993	Cochran et al.	2009/0108088 A1	4/2009	Bredberg
5,267,689 A	12/1993	Forer	2010/0038444 A1	2/2010	Coppersmith
			2010/0065656 A1	3/2010	Grant
			2011/0024526 A1	2/2011	Feith et al.

* cited by examiner

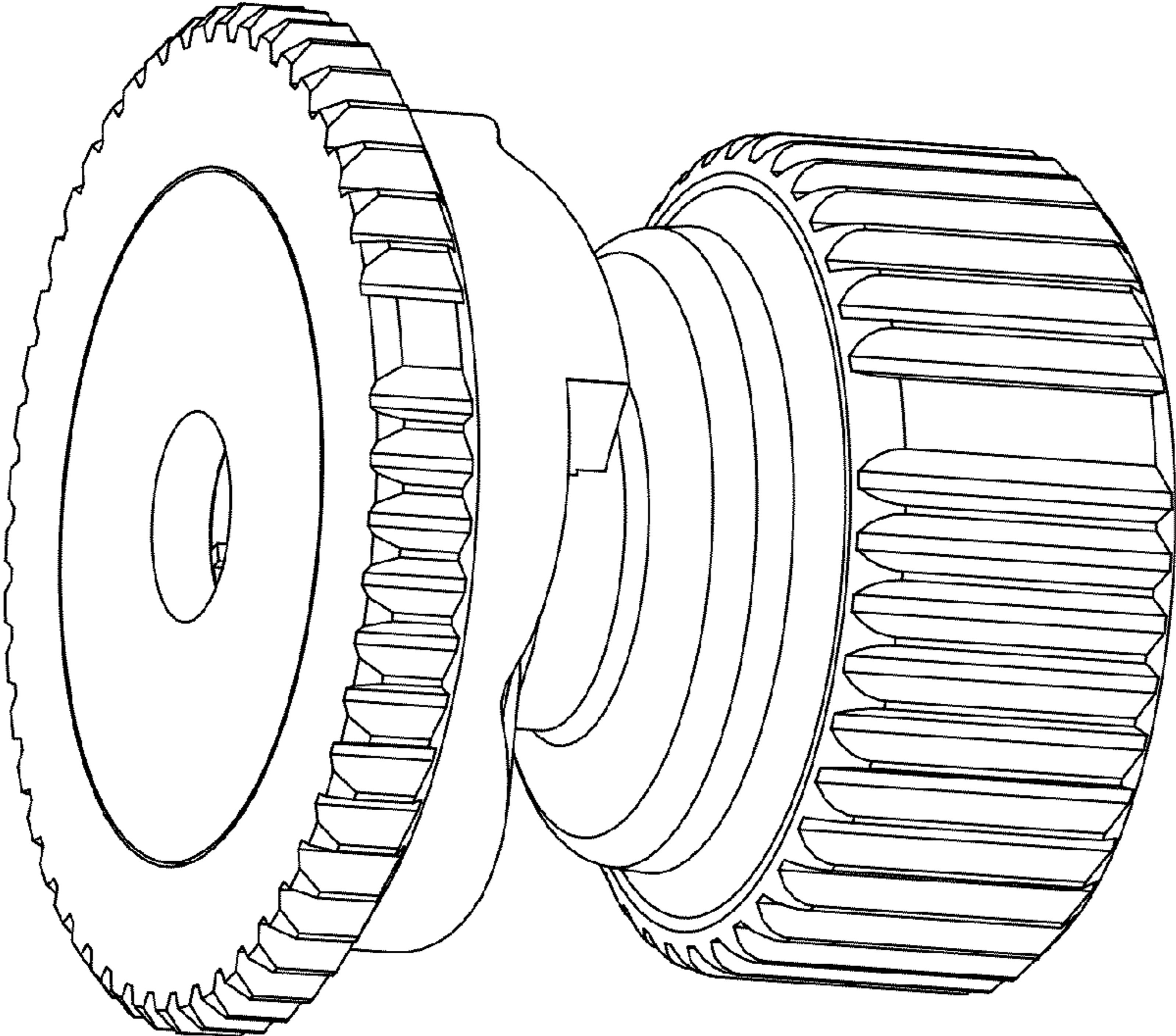


FIG. 1

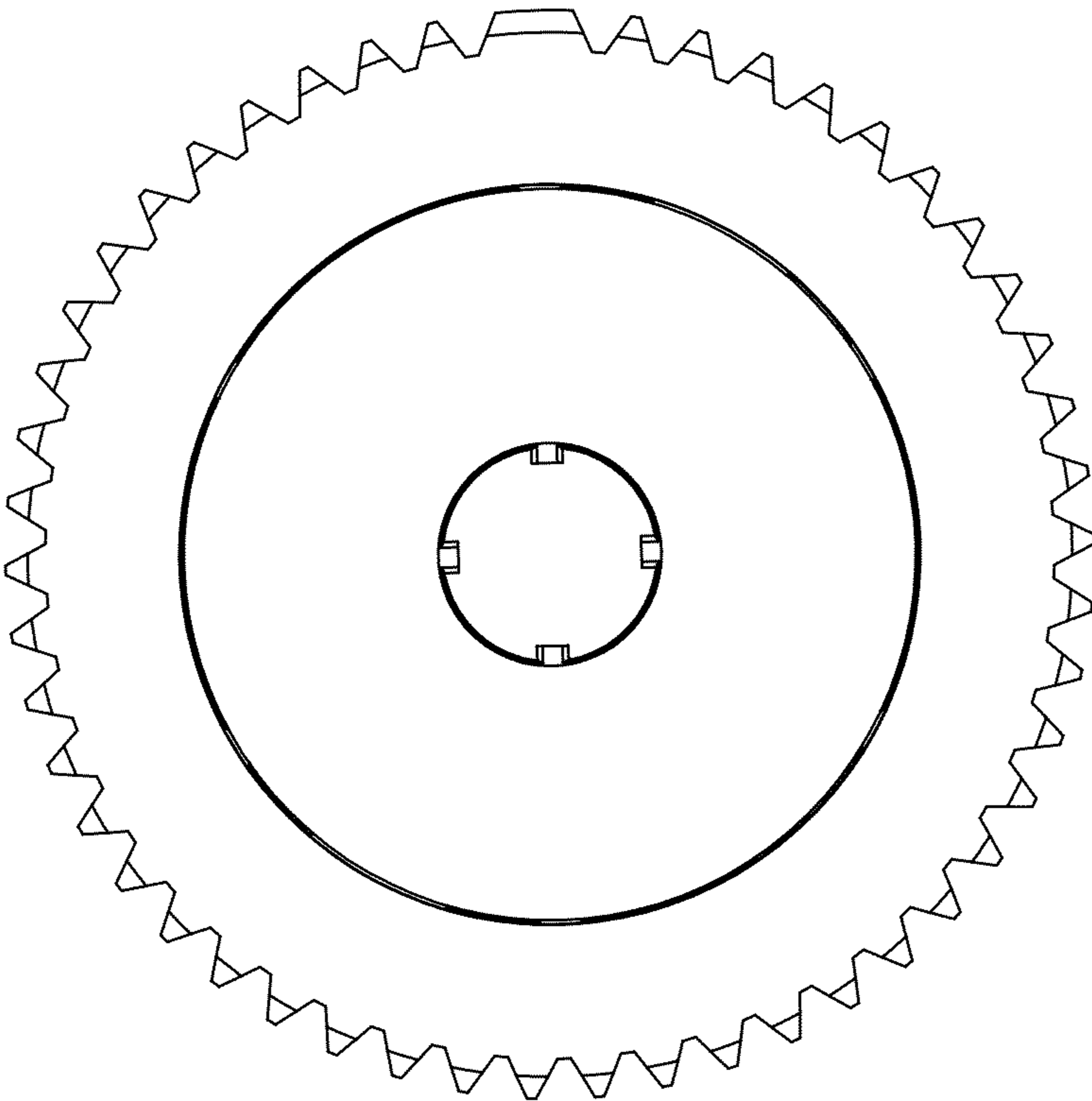


FIG. 2

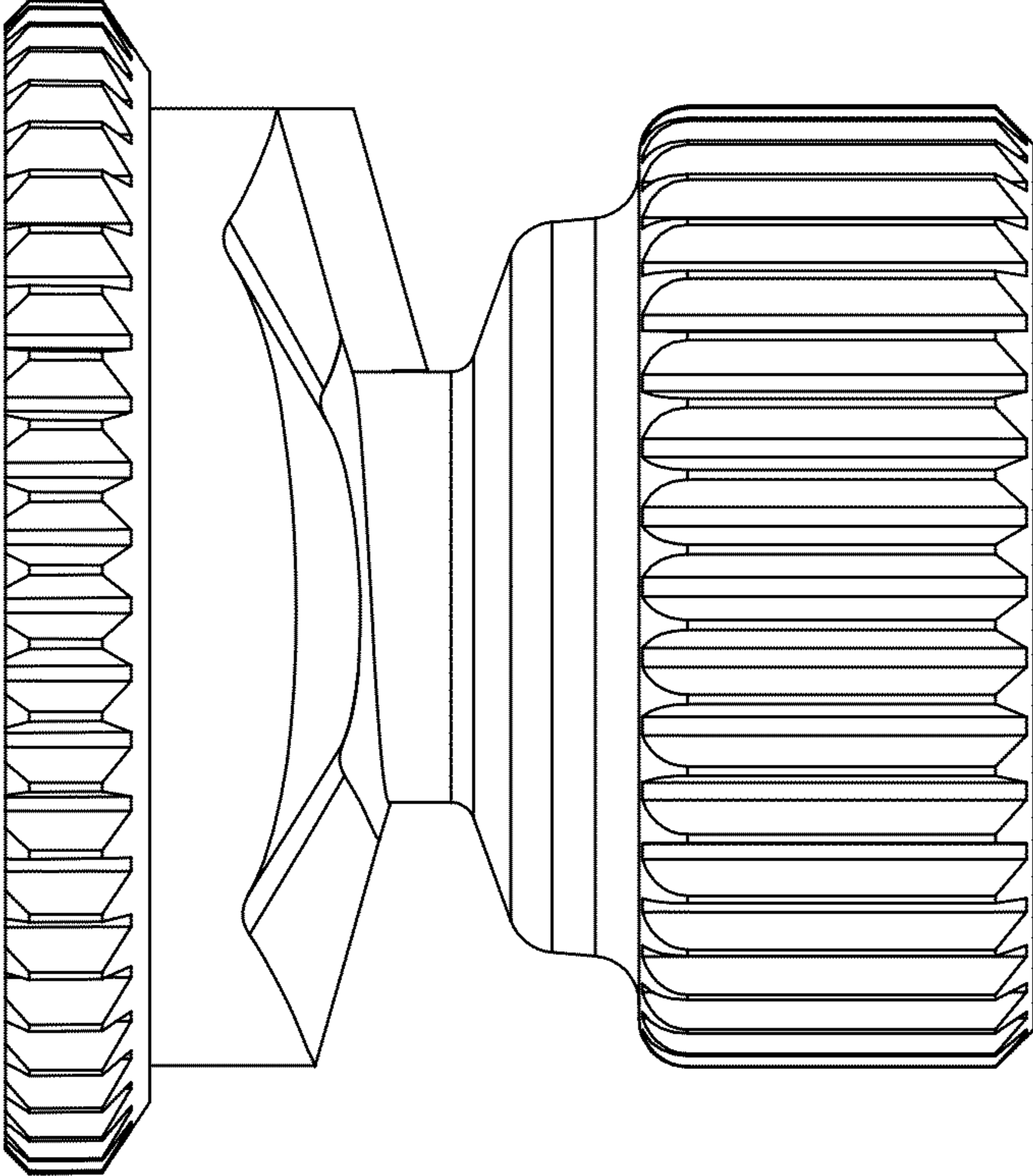


FIG. 3

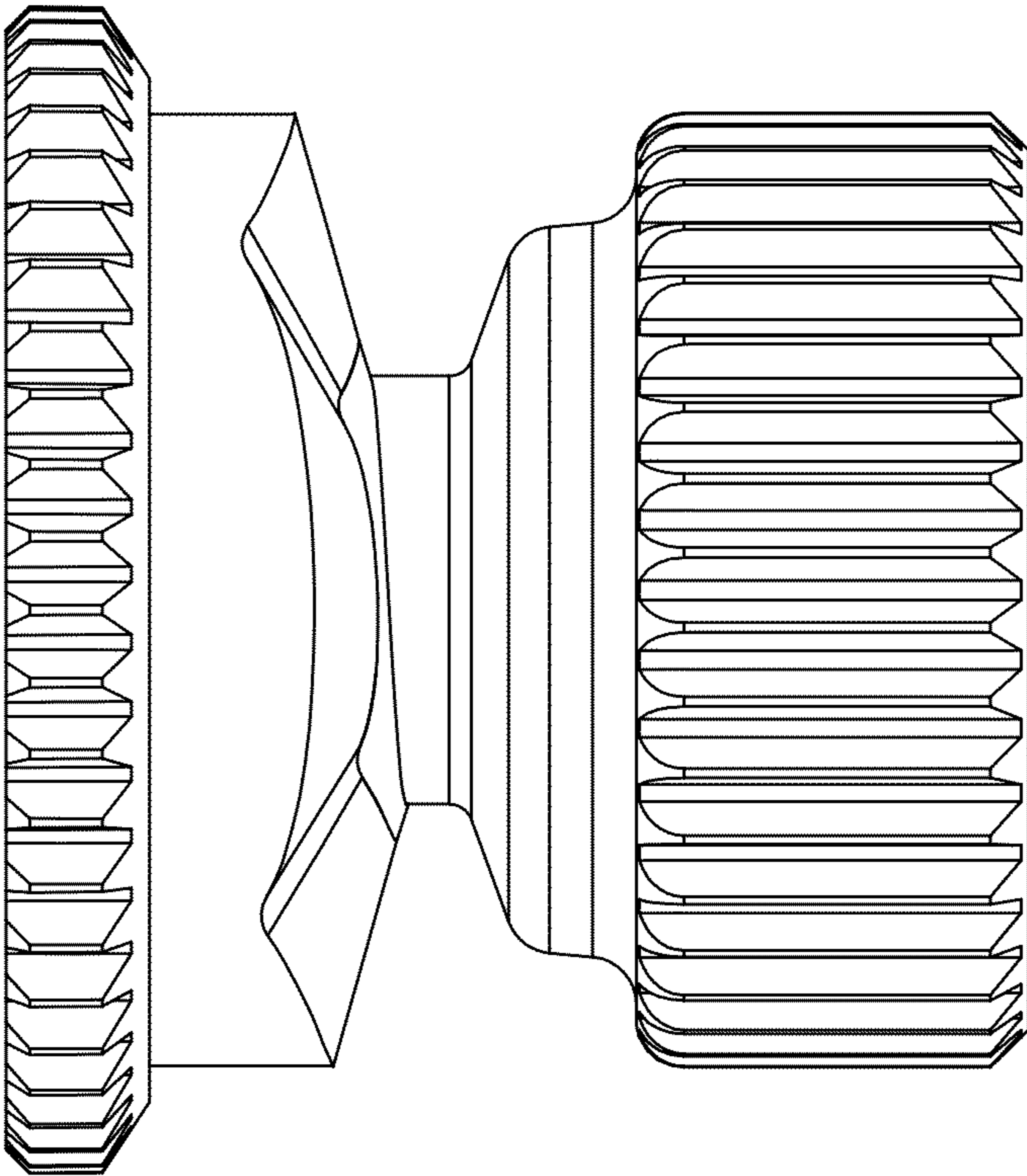


FIG. 4

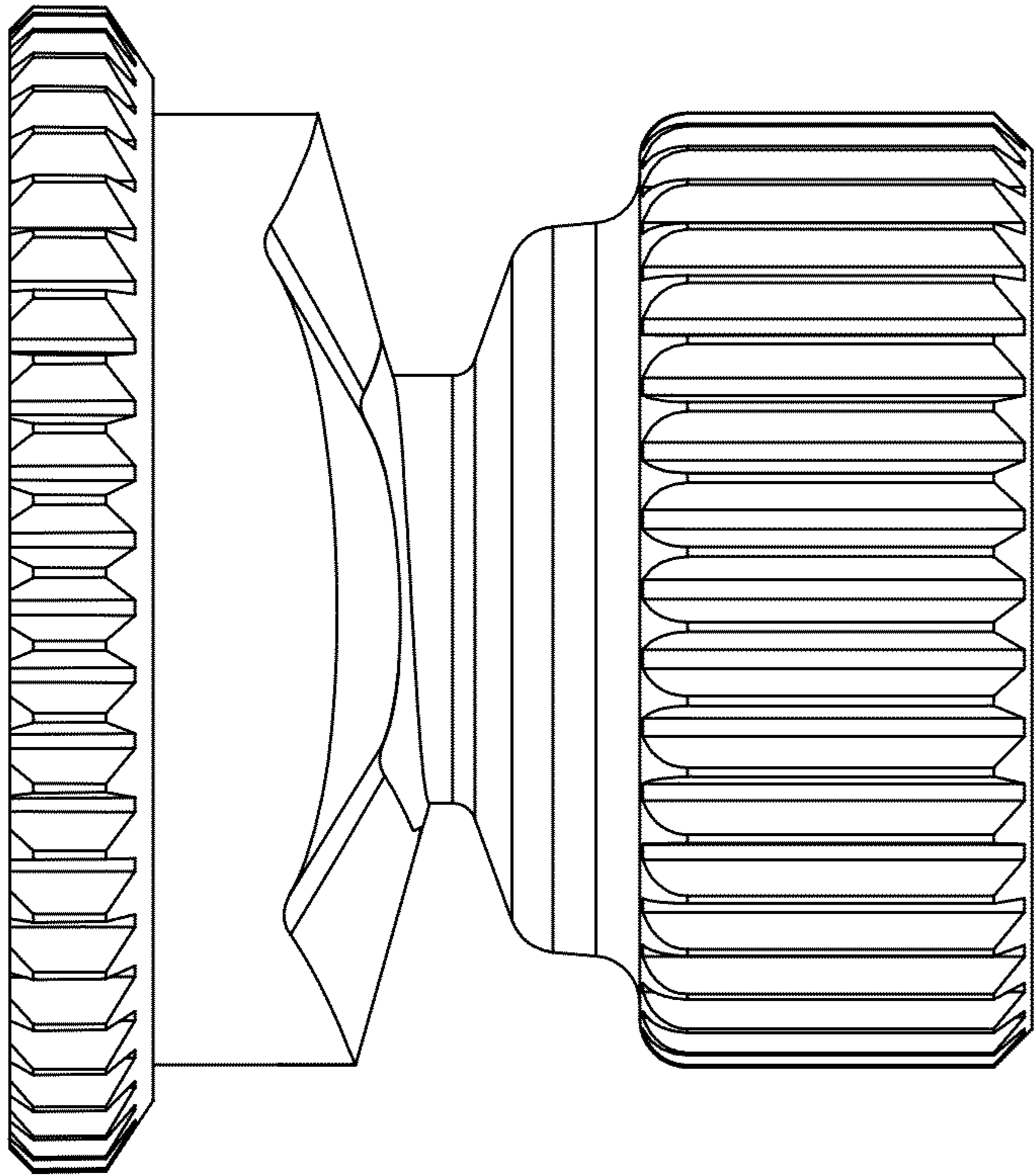


FIG. 5

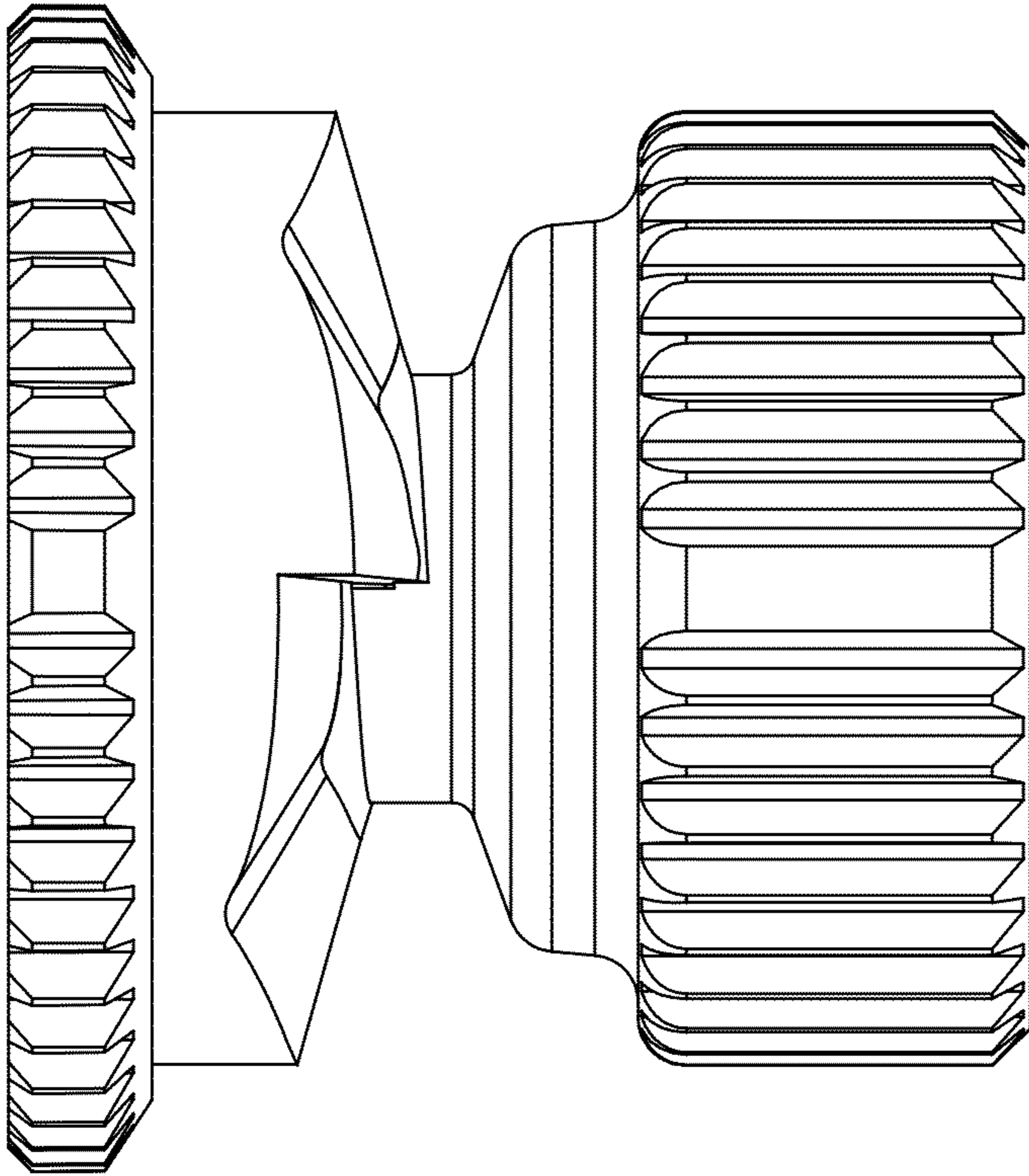


FIG. 6

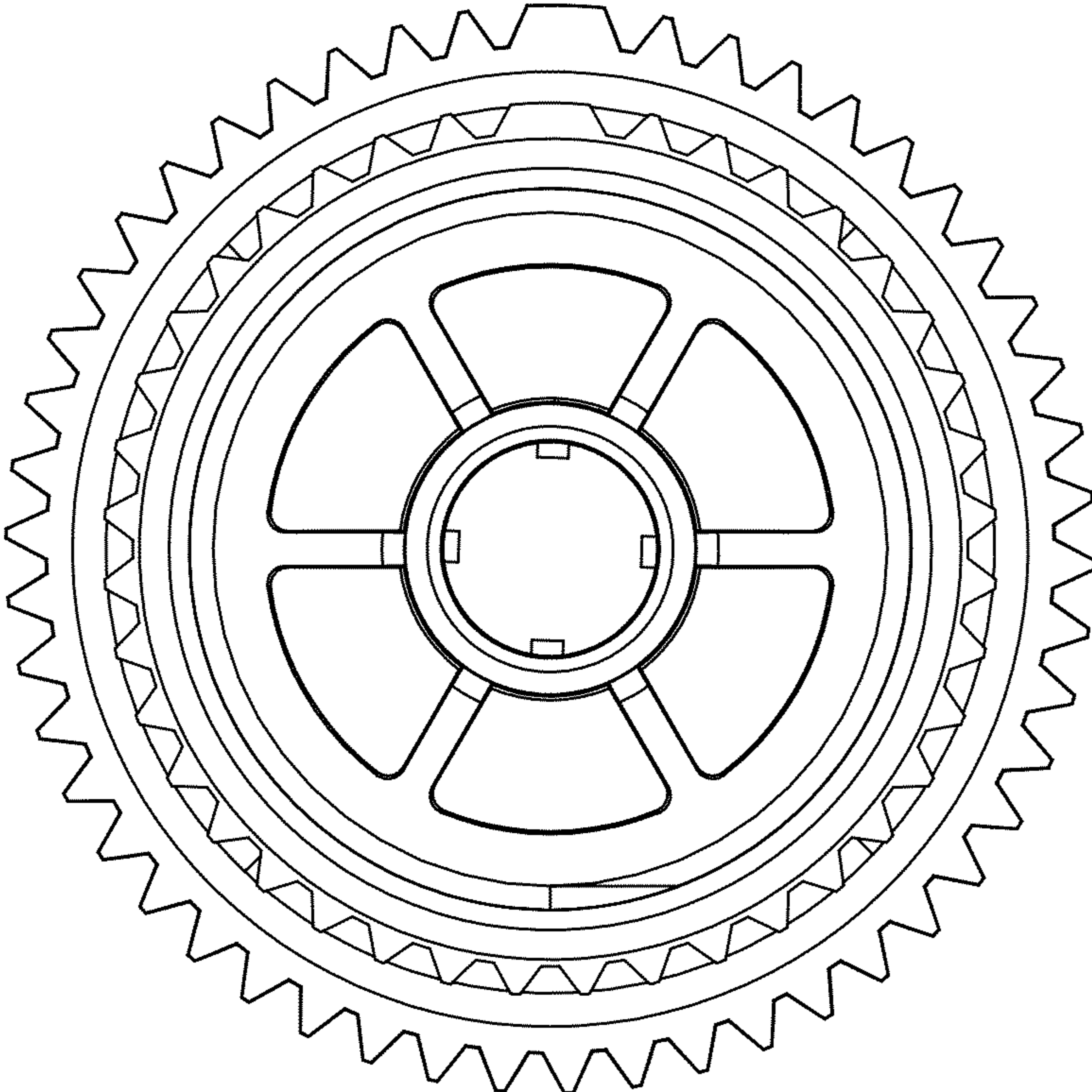


FIG. 7

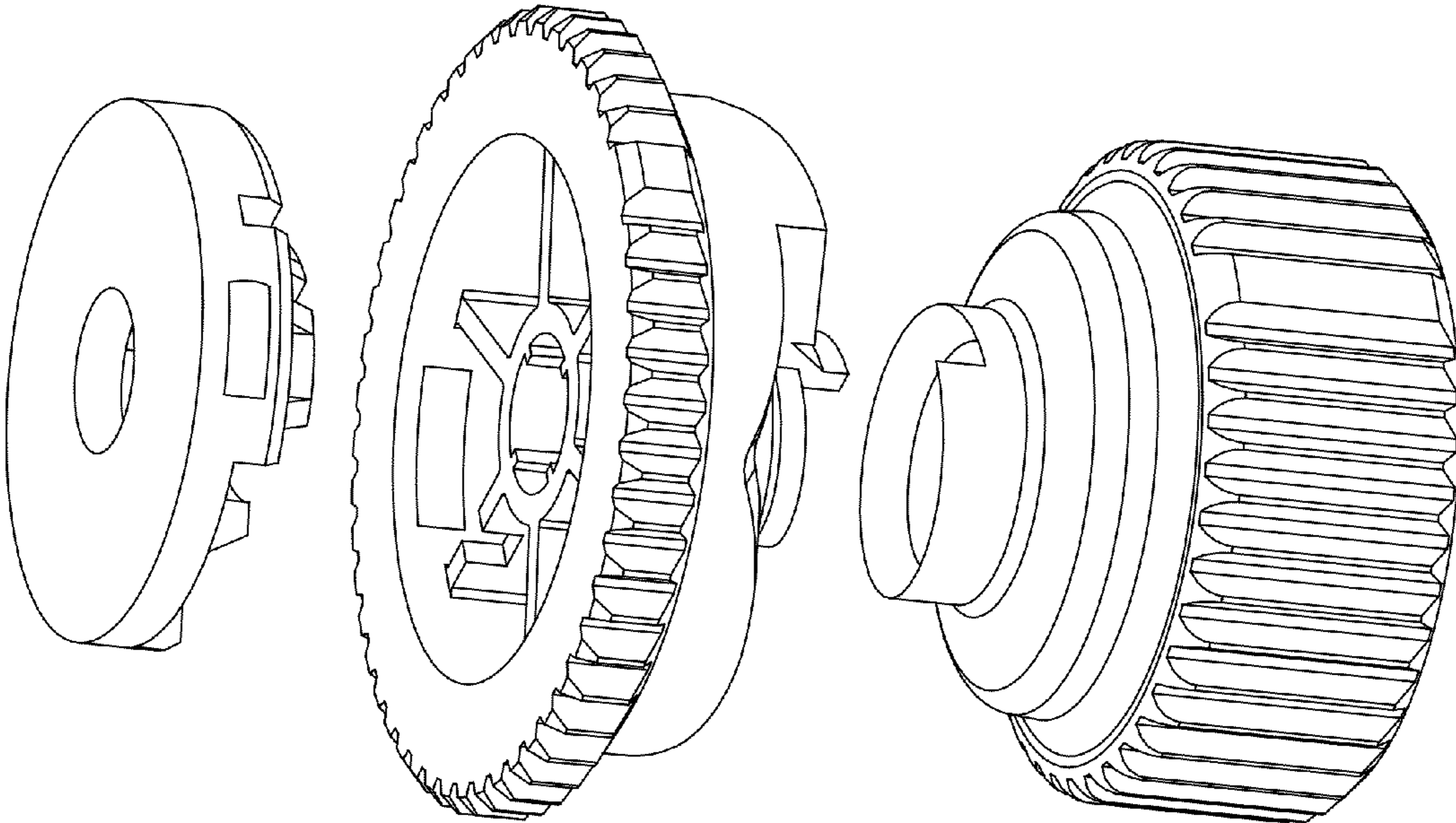


FIG. 8

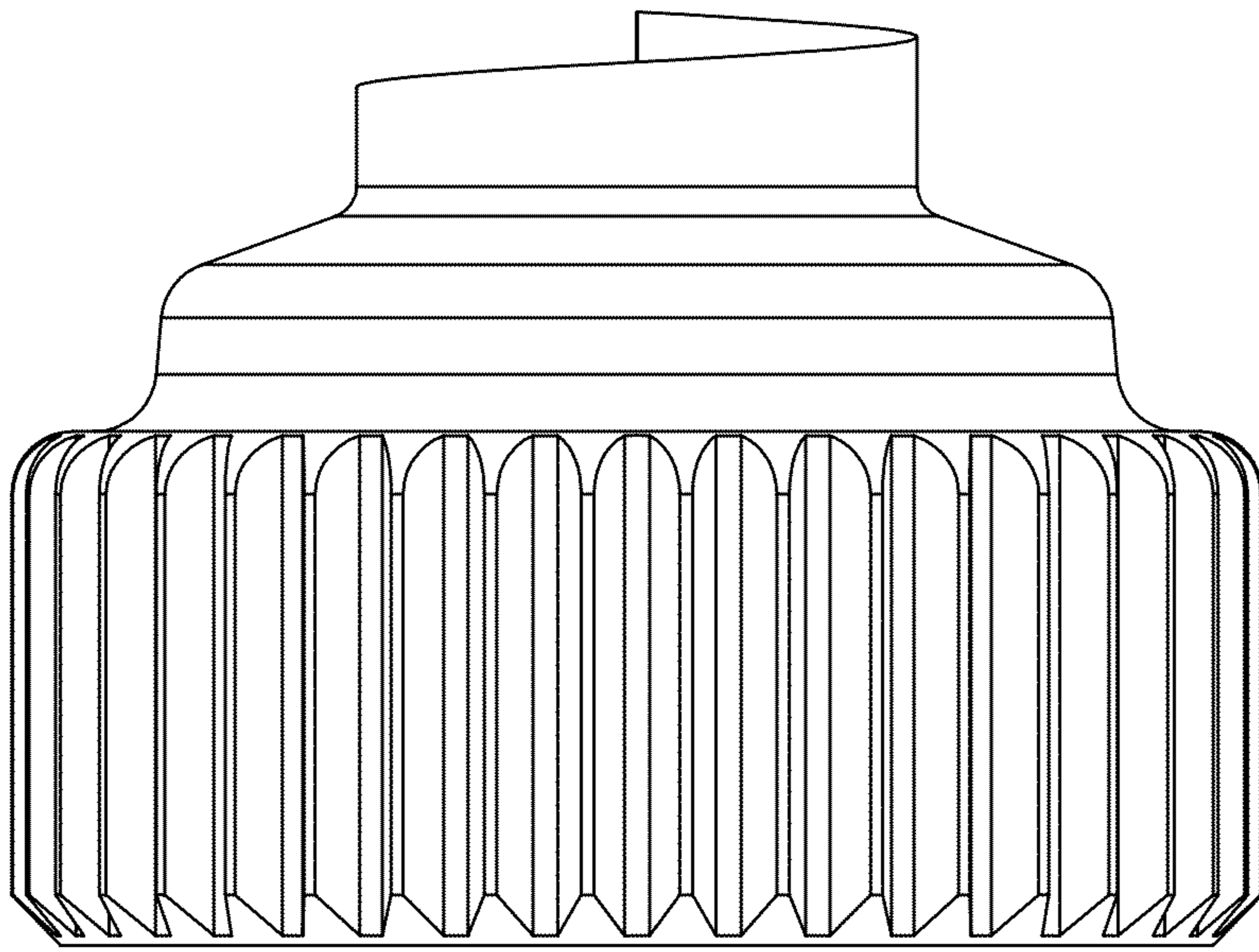


FIG. 10

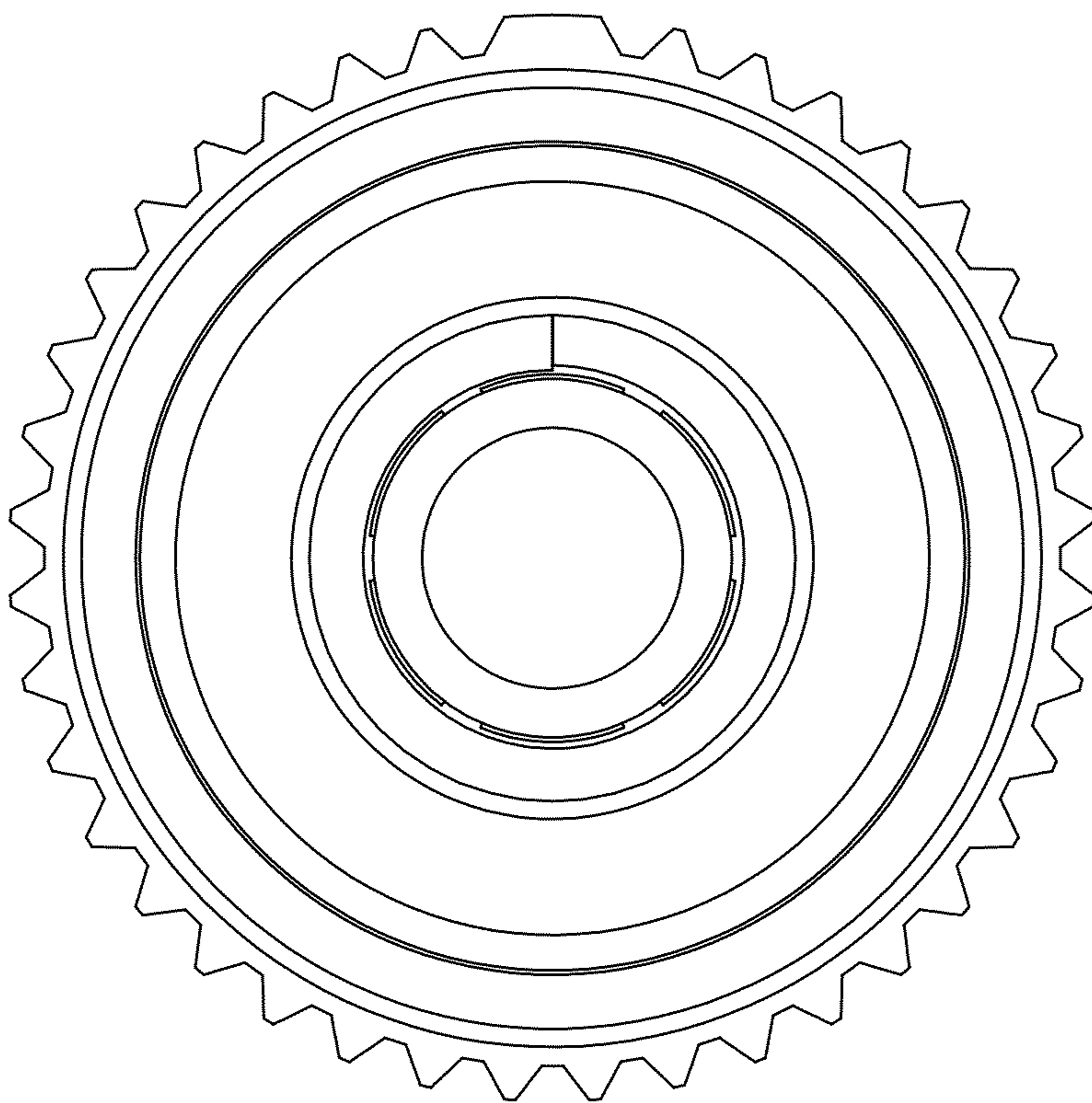


FIG. 9

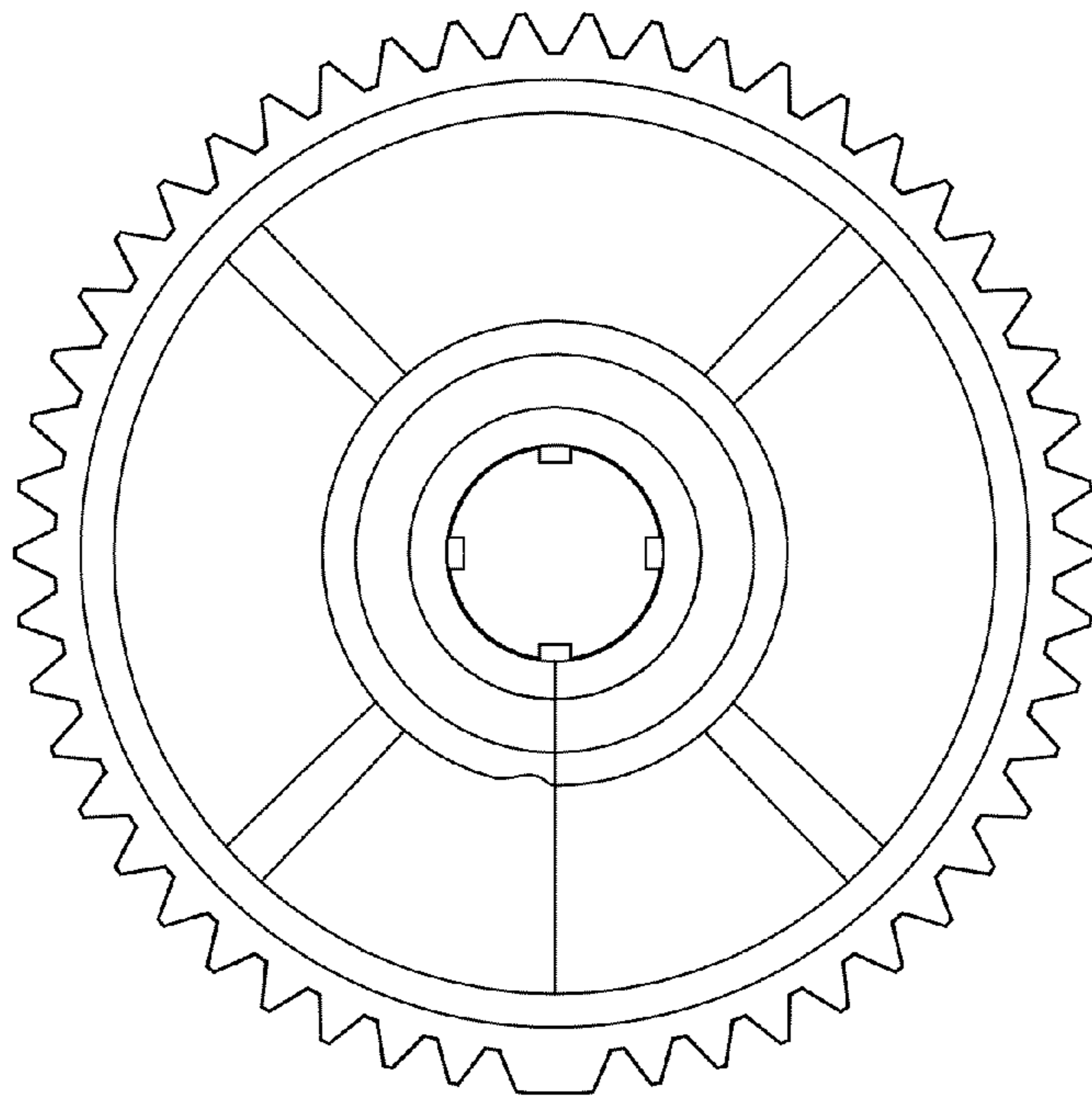


FIG. 11

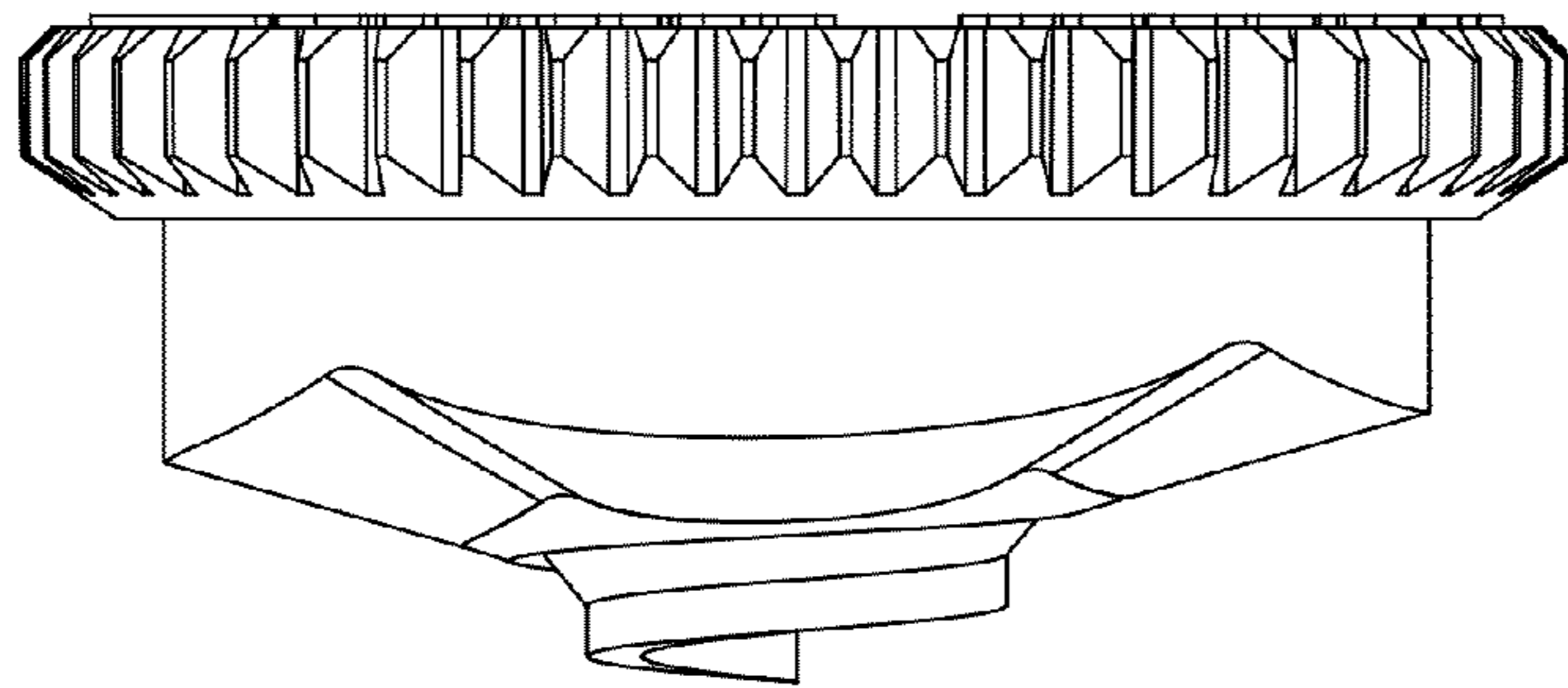


FIG. 12

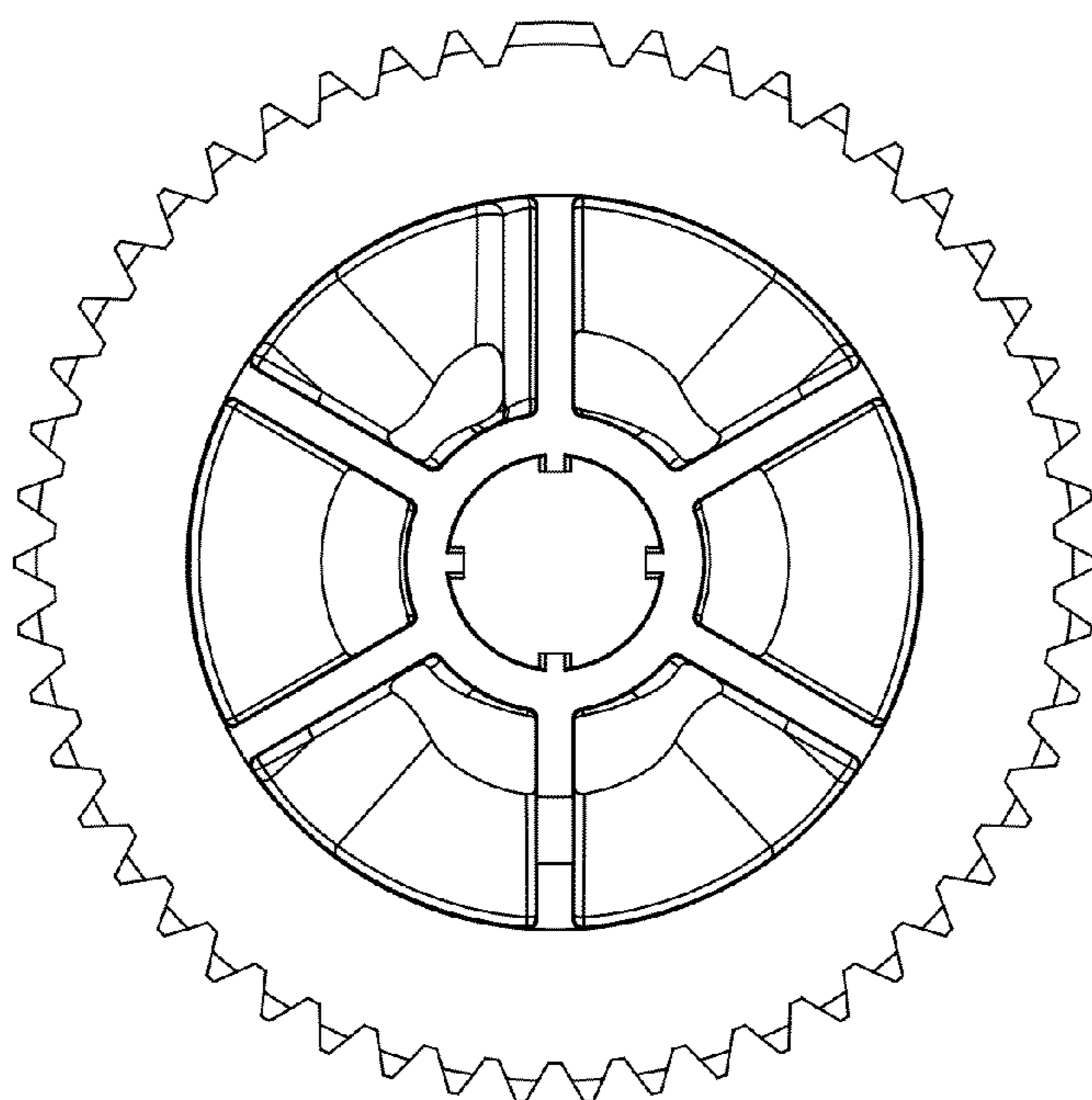


FIG. 13

UNITED STATES PATENT AND TRADEMARK OFFICE
CERTIFICATE OF CORRECTION

PATENT NO. : D724,696 S
APPLICATION NO. : 29/468563
DATED : March 17, 2015
INVENTOR(S) : Barmoav et al.

Page 1 of 1

It is certified that error appears in the above-identified patent and that said Letters Patent is hereby corrected as shown below:

On the title page item (72), line 3, "Avraham" should read --Abraham--.

Signed and Sealed this
Seventeenth Day of November, 2015



Michelle K. Lee
Director of the United States Patent and Trademark Office