



US00D724693S

(12) **United States Design Patent**
Nago

(10) **Patent No.:** **US D724,693 S**
(45) **Date of Patent:** **** Mar. 17, 2015**

(54) **FISHING REEL PORTION**

(71) Applicant: **Shimano Inc.**, Sakai, Osaka (JP)

(72) Inventor: **Akira Nago**, Osaka (JP)

(73) Assignee: **Shimano Inc.**, Osaka (JP)

(**) Term: **14 Years**

(21) Appl. No.: **29/488,294**

(22) Filed: **Apr. 17, 2014**

(30) **Foreign Application Priority Data**

Nov. 11, 2013 (JP) 2013-026290

(51) **LOC (10) Cl.** **22-05**

(52) **U.S. Cl.**
USPC **D22/141**

(58) **Field of Classification Search**
CPC A01K 89/00; A01K 89/01; A01K 89/06;
A01K 89/003; A01K 89/006; A01K 89/012;
A01K 89/016; A01K 89/017; A01K 89/0102;
A01K 89/033; A01K 91/02
USPC D22/140-141, 137-139; 43/19-21;
242/233, 223, 310, 314, 322, 370
See application file for complete search history.

(56) **References Cited**

U.S. PATENT DOCUMENTS

D294,380 S *	2/1988	Robbins et al.	D22/140
D336,325 S *	6/1993	Asano	D22/140
D348,919 S *	7/1994	Sato et al.	D22/140
D367,515 S *	2/1996	Robbins et al.	D22/140
D420,091 S *	2/2000	Kim et al.	D22/140
D494,248 S	8/2004	Sakurai		
D661,774 S	6/2012	Nago et al.		

* cited by examiner

Primary Examiner — Catheri Oliver-Garcia

(74) *Attorney, Agent, or Firm* — Global IP Counselors

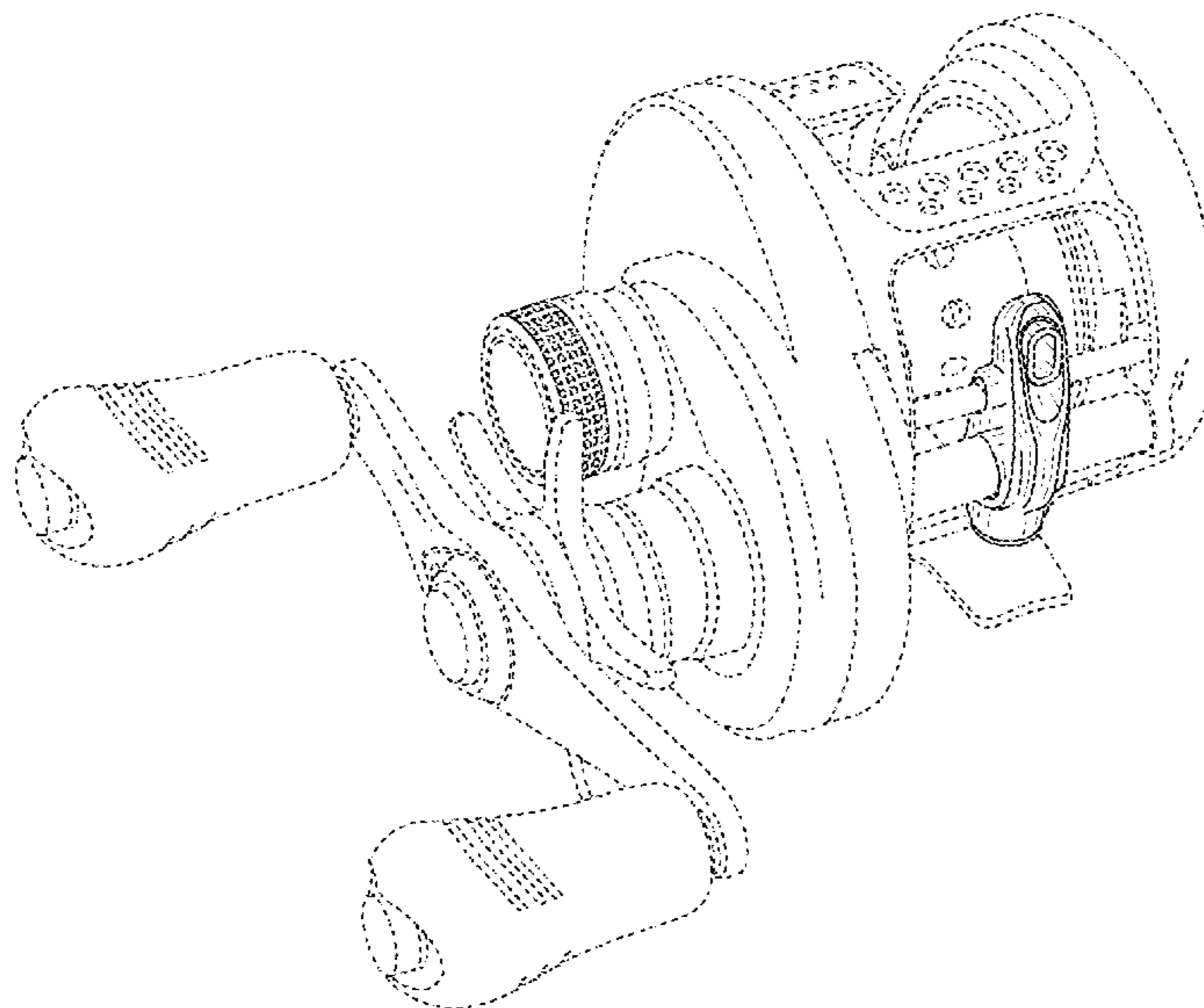
(57) **CLAIM**

The ornamental design for fishing reel portion, as shown and described.

DESCRIPTION

FIG. 1 is a first perspective view of a fishing reel including a fishing reel portion in accordance with my new design; FIG. 2 is a second perspective view of the fishing reel illustrated in FIG. 1 with the fishing reel portion; FIG. 3 is a first (front) end elevational view of the fishing reel illustrated in FIG. 1 with the fishing reel portion; FIG. 4 is a second (rear) end elevational view of the fishing reel illustrated in FIG. 1 with the fishing reel portion completely hidden from sight; FIG. 5 is a top plan view of the fishing reel illustrated in FIG. 1 with the fishing reel portion; FIG. 6 is a bottom plan view of the fishing reel illustrated in FIG. 1 with the fishing reel portion completely hidden from sight; FIG. 7 is a first side elevational view of the fishing reel illustrated in FIG. 1 with the fishing reel portion; FIG. 8 is a second side elevational view of the fishing reel illustrated in FIG. 1 with the fishing reel portion; FIG. 9 is an enlarged, partial perspective view of FIG. 1 illustrating the fishing reel portion illustrated in FIG. 1; and, FIG. 10 is an enlarged, partial perspective view of FIG. 2 illustrating the fishing reel portion illustrated in FIG. 1. In the drawings, the broken line illustration of the environmental structure (the remaining structure of the fishing reel) in the drawings is not part of the claimed design.

1 Claim, 6 Drawing Sheets



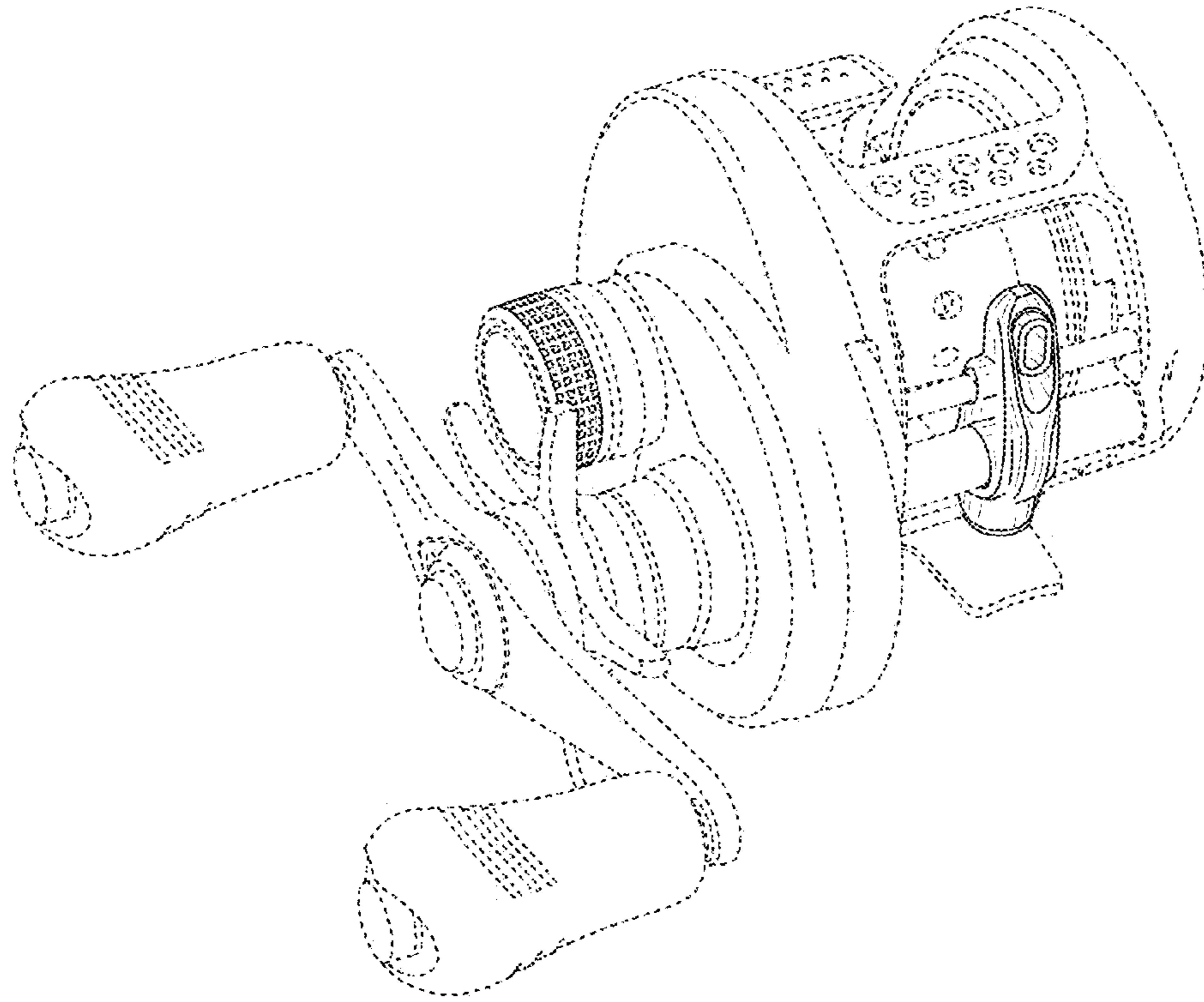


FIG. 1

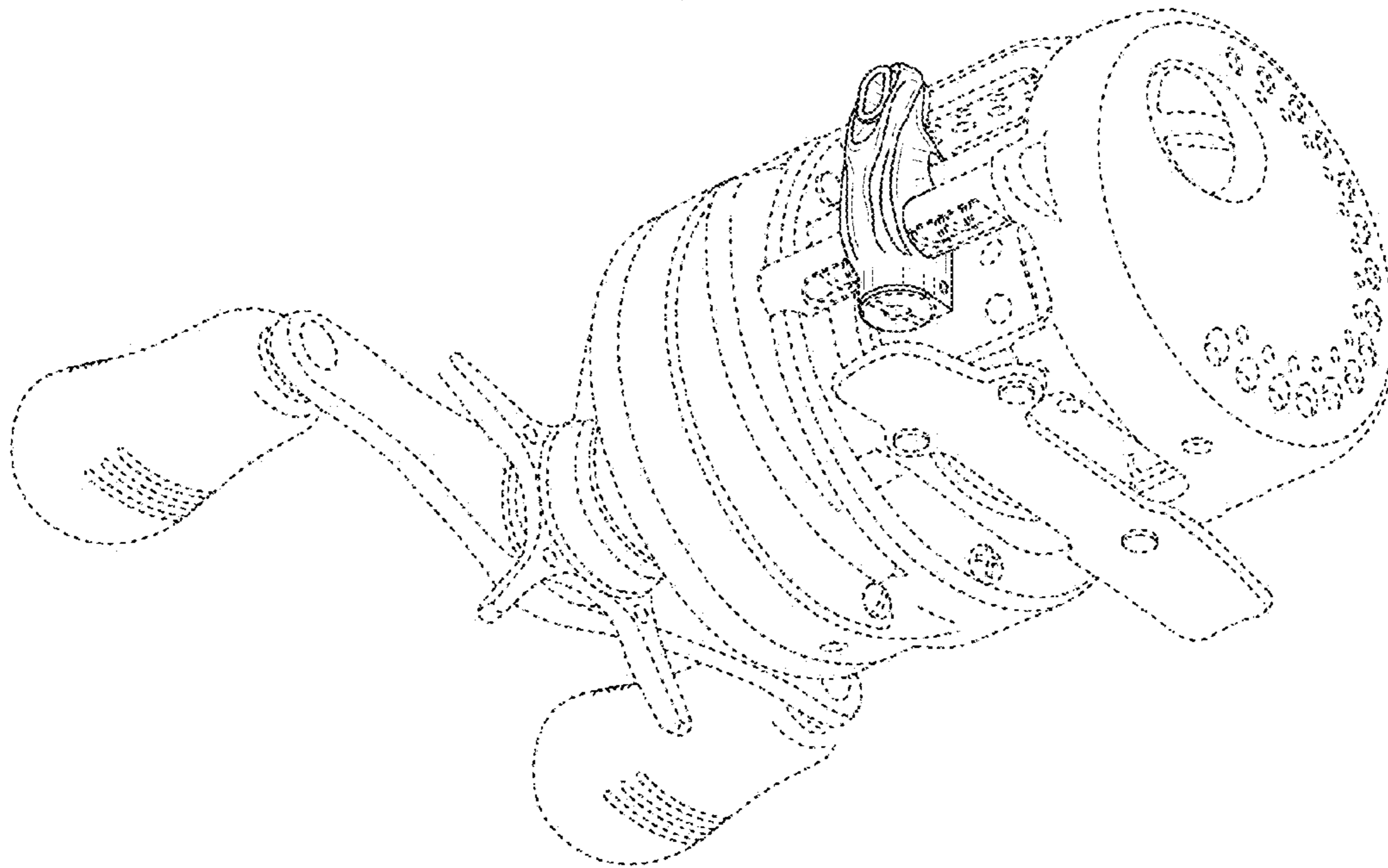


FIG. 2

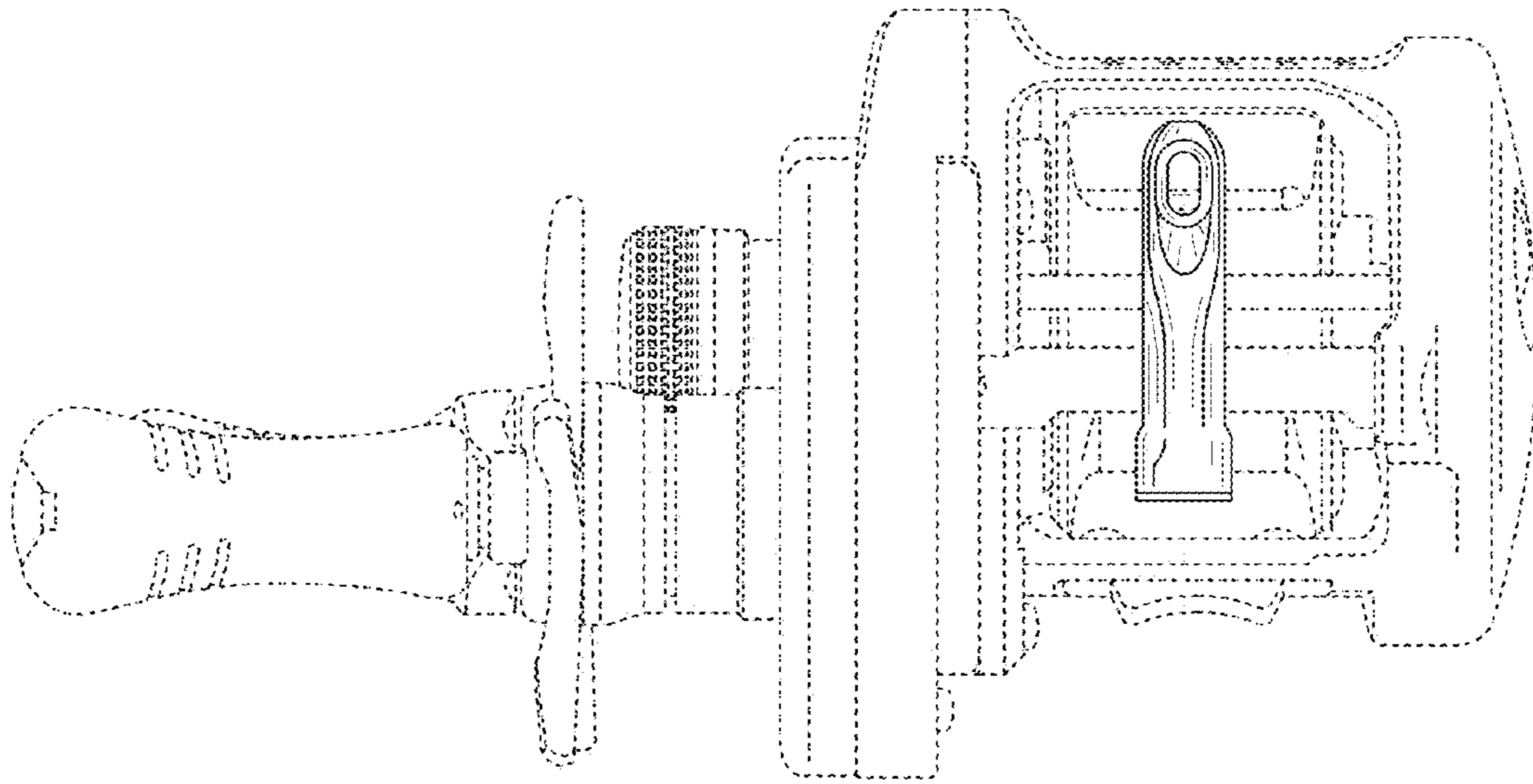


FIG. 3

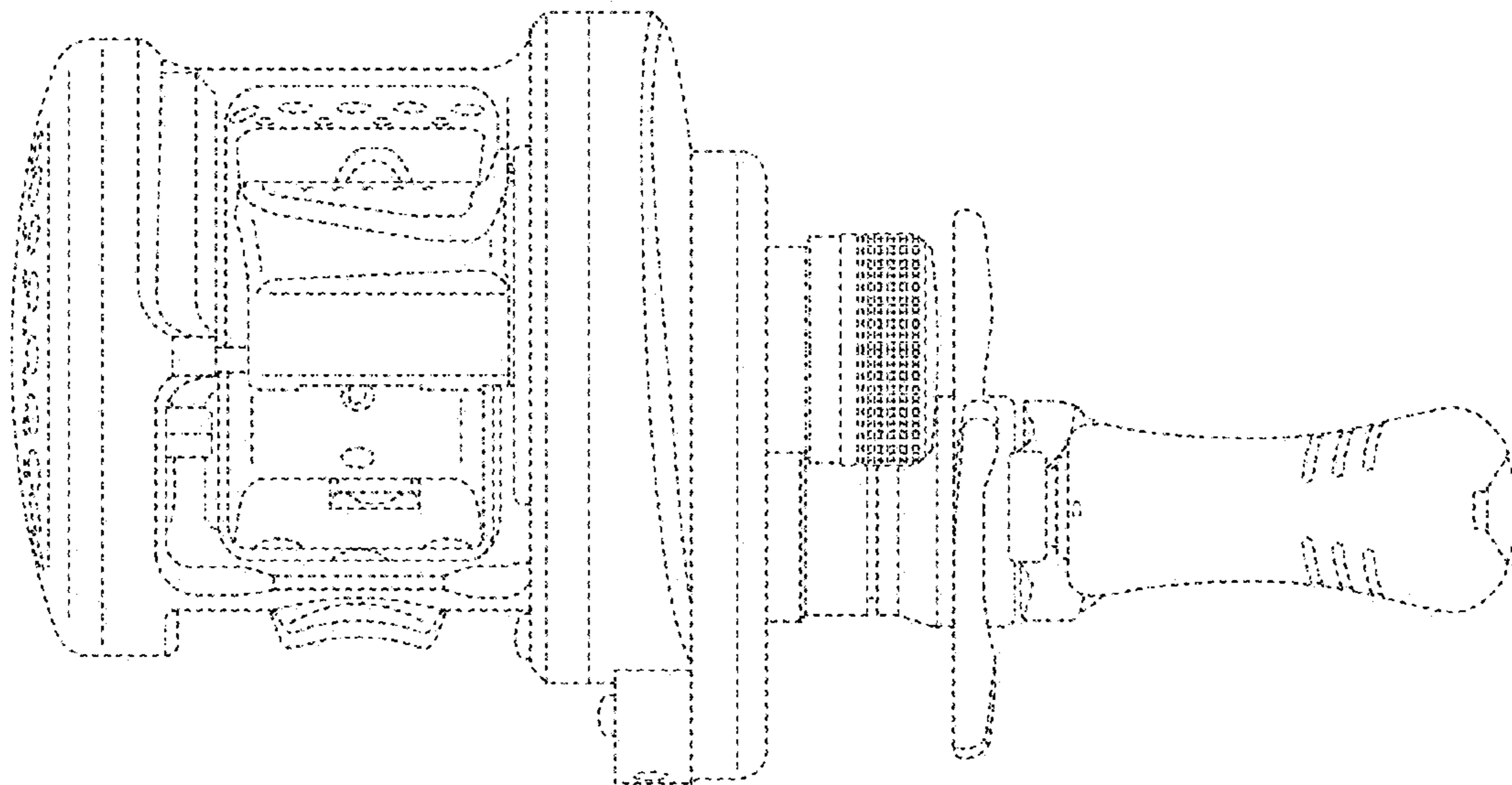


FIG. 4

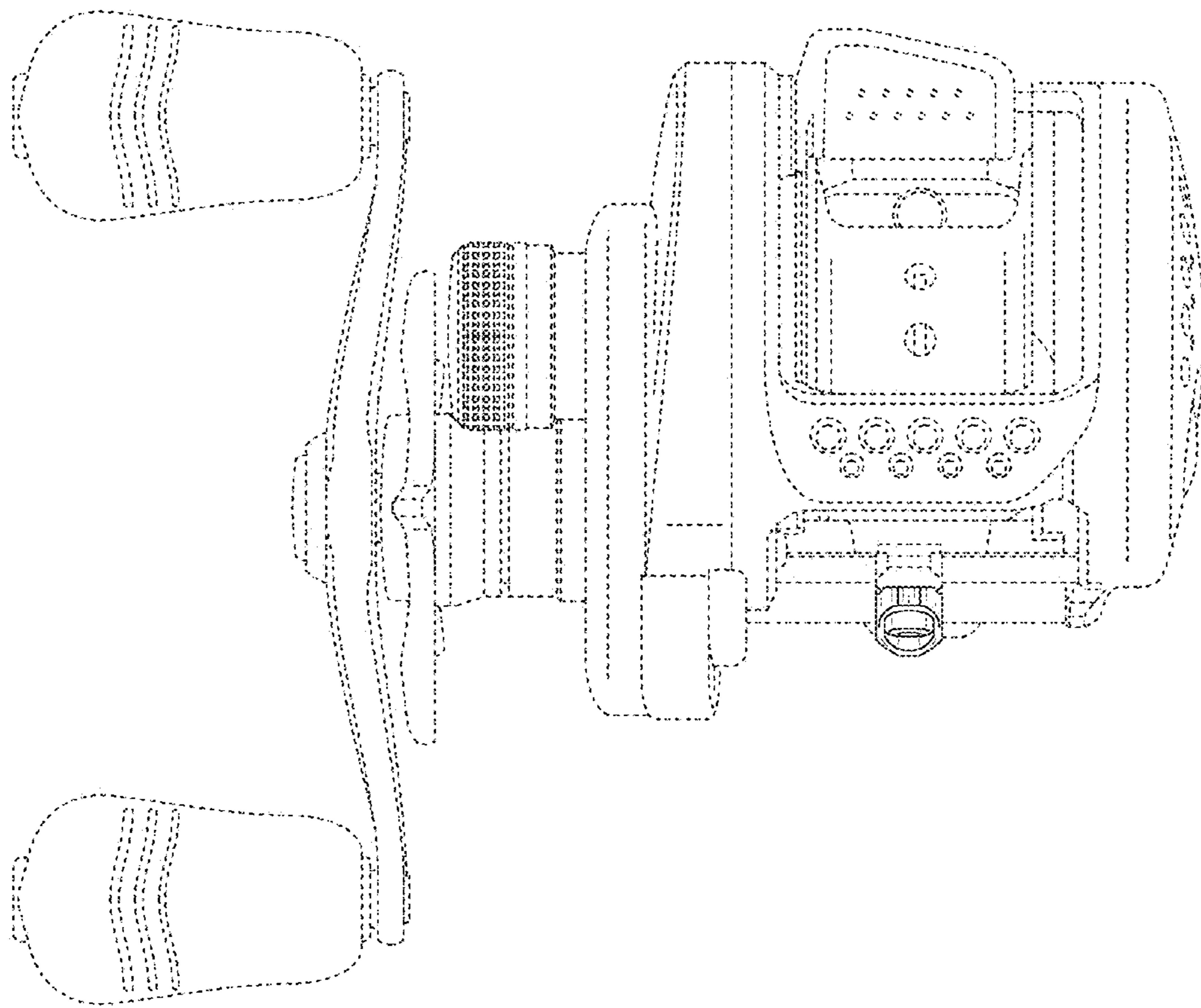


FIG. 5

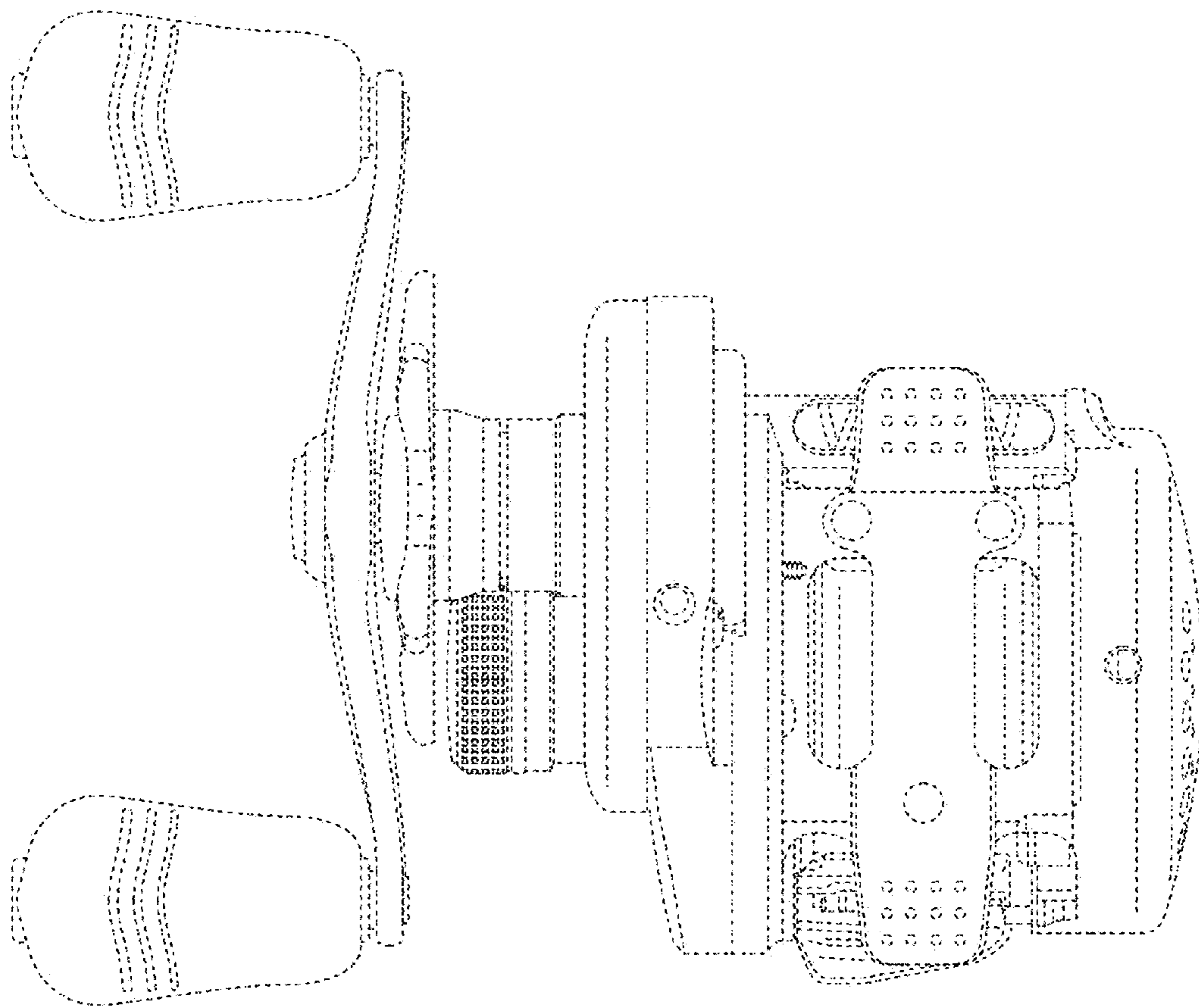


FIG. 6

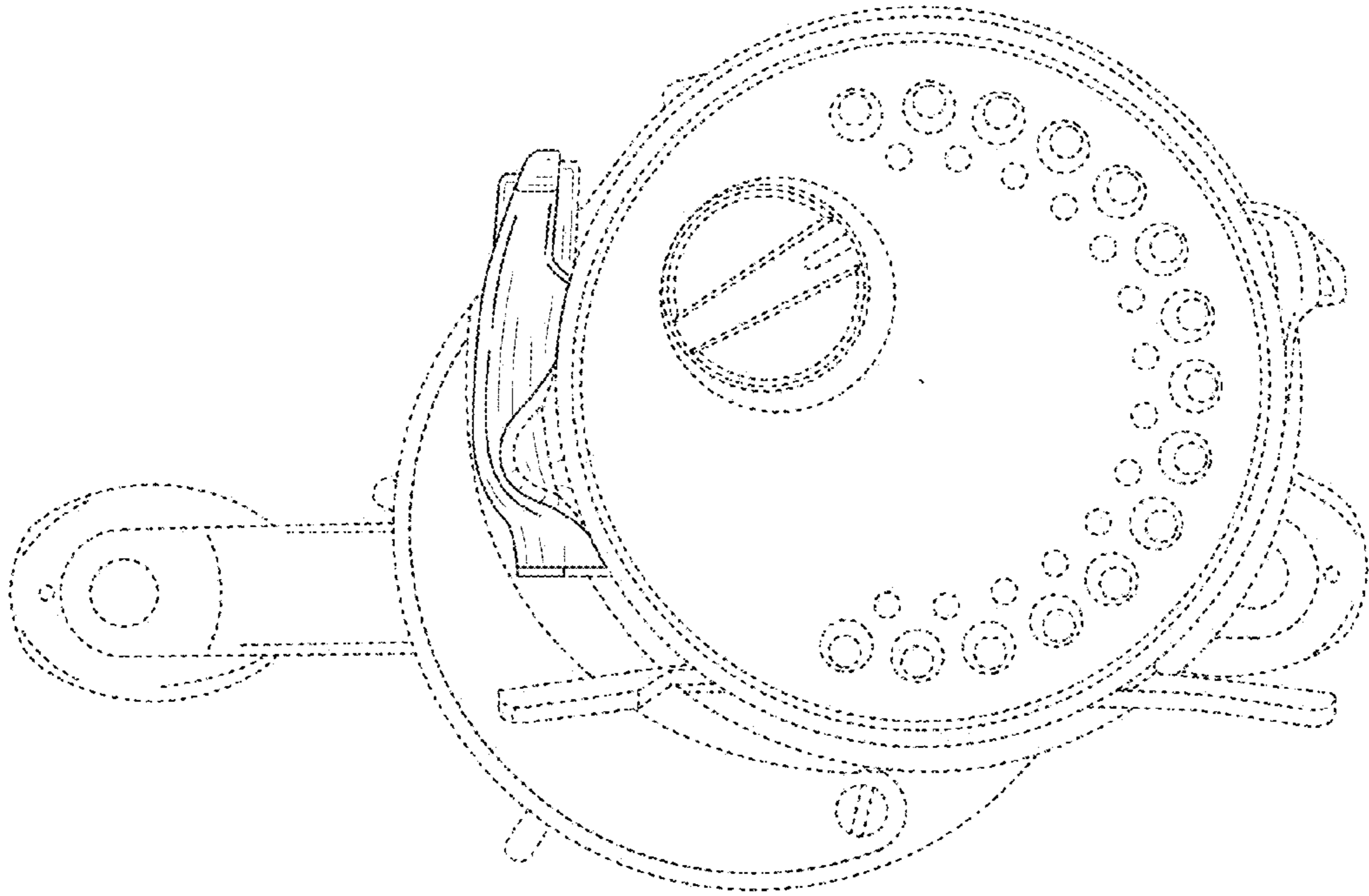


FIG. 7

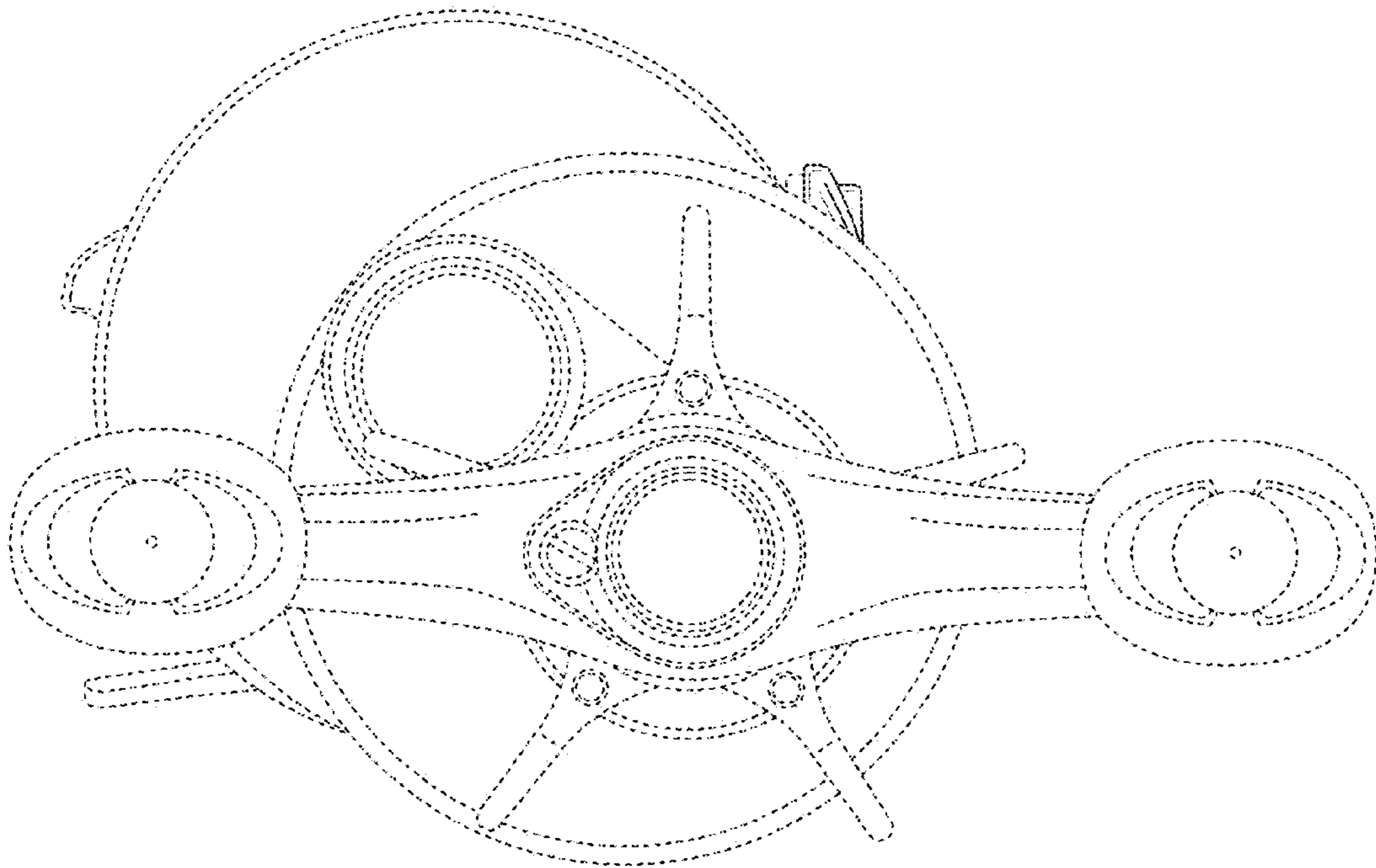


FIG. 8

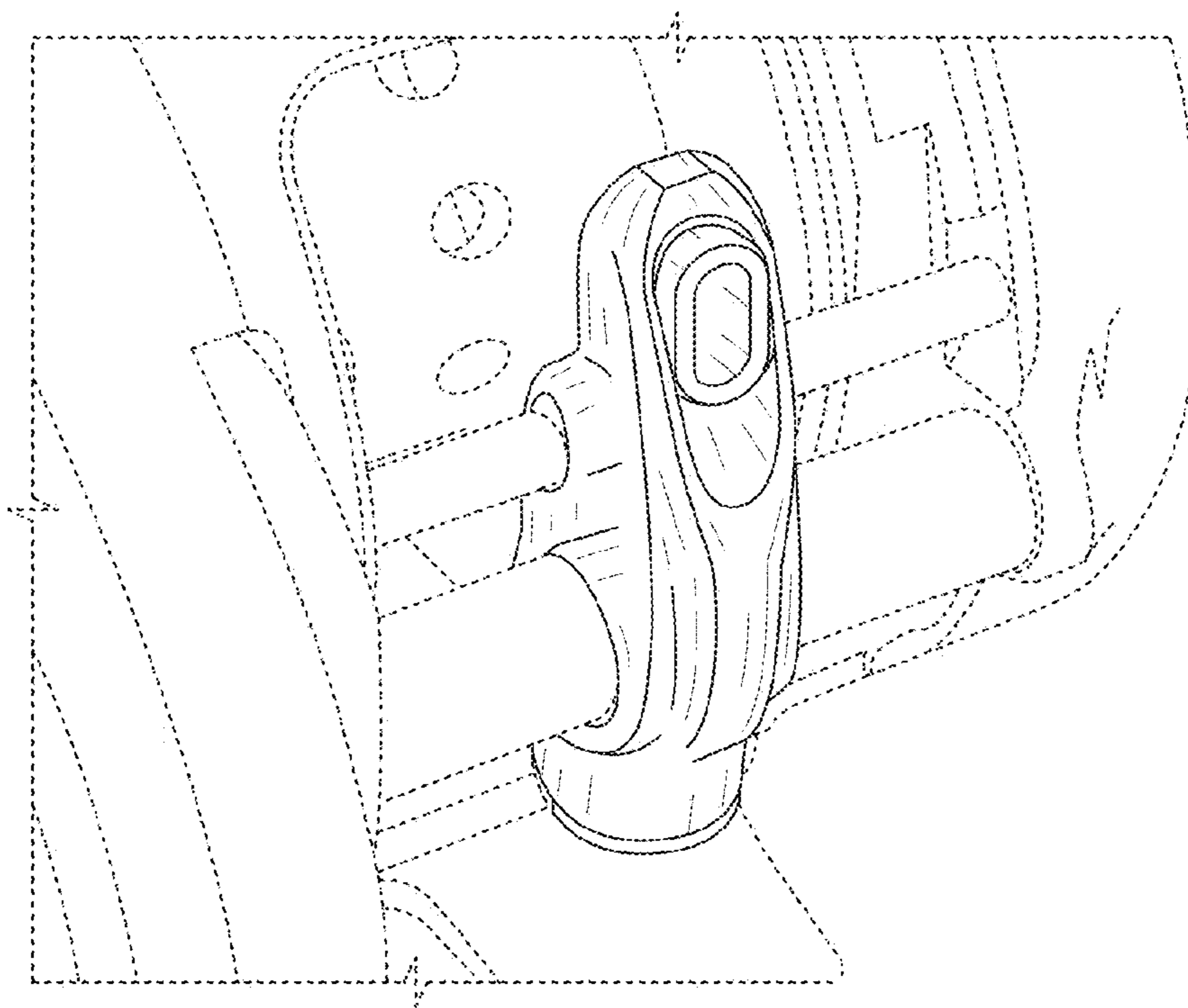


FIG. 9

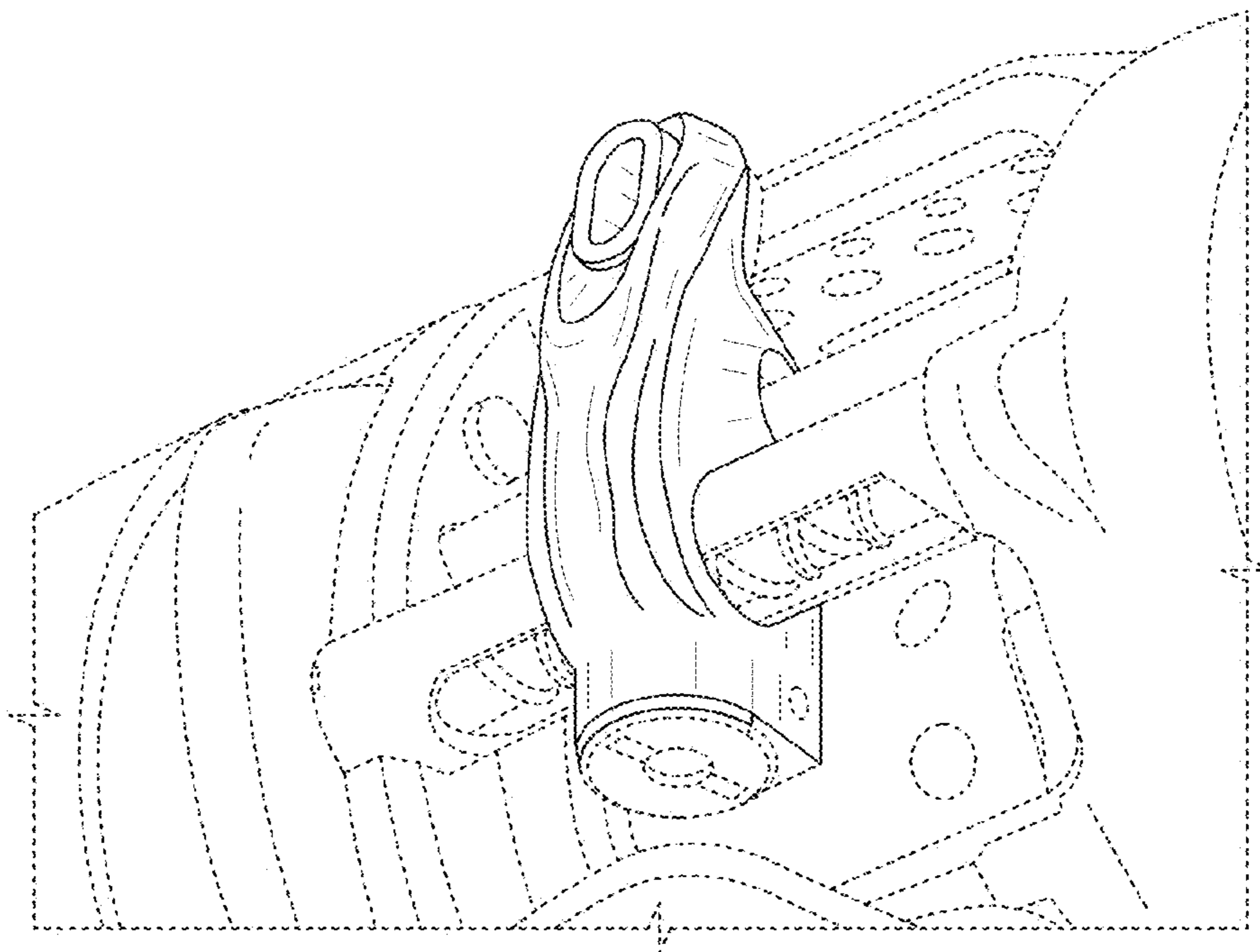


FIG. 10