



US00D724691S

(12) **United States Design Patent**
Barfoot et al.

(10) **Patent No.:** **US D724,691 S**
(45) **Date of Patent:** **** Mar. 17, 2015**

(54) **REAR FOLDING SIGHT**

(71) Applicant: **Magpul Industries Corporation**, Erie, CO (US)

(72) Inventors: **Grady Barfoot**, Denver, CO (US); **Richard Fitzpatrick**, Longmont, CO (US); **Michael T. Mayberry**, Denver, CO (US); **Brad Bennett**, Lafayette, CO (US)

(73) Assignee: **Magpul Industries Corporation**, Louisville, CO (US)

(**) Term: **14 Years**

(21) Appl. No.: **29/475,735**

(22) Filed: **Dec. 5, 2013**

(51) **LOC (10) Cl.** **22-01**

(52) **U.S. Cl.**
USPC **D22/109**

(58) **Field of Classification Search**

CPC F41G 1/00; F41G 1/01; F41G 1/02; F41G 1/06; F41G 1/065; F41G 1/08; F41G 1/10; F41G 1/12; F41G 1/14; F41G 1/30; F41G 1/32; F41G 1/38; F41G 1/40; F41G 1/42; F41G 1/44; F41G 1/46; F41G 1/383; F41G 1/387; F41G 1/393; F41G 3/00; F41G 3/005; F41G 3/02; F41G 3/04; F41G 3/06; F41G 3/14; F41G 11/002; F41G 11/003; F41G 11/004; F41G 11/005
USPC D22/108-110, 199; 89/111-113; 359/399, 823, 744; 42/104, 105, 42/111-113, 116, 120, 124-126, 127-129, 42/141-148, 133-140; 33/227, 229
See application file for complete search history.

(56) **References Cited**

U.S. PATENT DOCUMENTS

1,257,713 A 2/1918 Johnson
D235,339 S 6/1975 Edstrom

(Continued)

OTHER PUBLICATIONS

Design U.S. Appl. No. 29/410,910, filed Jan. 13, 2012, "PMAG 30M3 Firearm Magazine" by Fitzpatrick.

(Continued)

Primary Examiner — Michael A Pratt

(74) *Attorney, Agent, or Firm* — Swanson & Bratschun, L.L.C.

(57)

CLAIM

The ornamental design for a rear folding sight, as shown and described.

DESCRIPTION

FIG. 1 is a top, left, rear perspective view of a first embodiment of a rear folding sight attached to a firearm showing our new design;

FIG. 2 is a top, left, front perspective view of the rear folding sight of FIG. 1;

FIG. 3 is a top, right, rear perspective view of the rear folding sight of FIG. 1;

FIG. 4 is a front elevation view of the rear folding sight of FIG. 1;

FIG. 5 is a rear elevation view of the rear folding sight of FIG. 1;

FIG. 6 is a right side elevation view of the rear folding sight of FIG. 1;

FIG. 7 is a left side elevation view of the rear folding sight of FIG. 1;

FIG. 8 is a top plan view of the rear folding sight of FIG. 1;

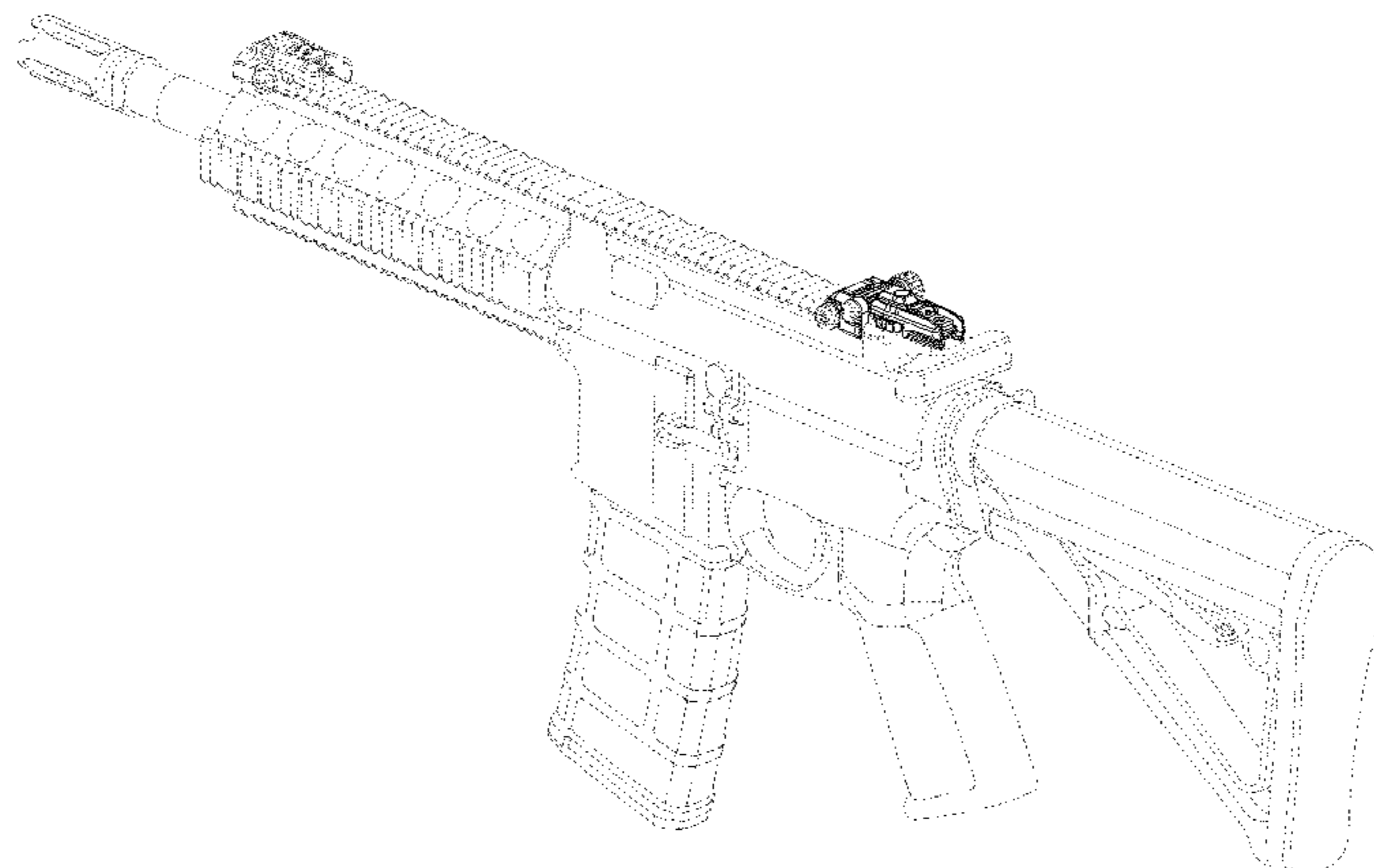
FIG. 9 is a bottom plan view of the rear folding sight of FIG. 1;

FIG. 10 is a top, right, front perspective view of the rear folding sight of FIG. 1 showing the rear folding sight pivoted to an upright operative position; and,

FIG. 11 is a top, right, front perspective view of the rear folding sight of FIG. 1 showing the rear sight pivoted to an upright operative position and further showing a sight aperture restrictor pivoted downward to provide a large aperture in an operative position.

The broken lines showing portions of the design in all figures are included for the purpose of illustrating environment and unclaimed features and forms not part of the claimed design.

1 Claim, 9 Drawing Sheets



(56)

References Cited

U.S. PATENT DOCUMENTS

D354,111	S	1/1995	Karppinen	
6,779,290	B1	8/2004	Houtsma	
D526,380	S	8/2006	Swan	
7,356,962	B2	4/2008	Swan	
D594,083	S	6/2009	Mayberry et al.	
D594,084	S	6/2009	Mayberry et al.	
D615,144	S	5/2010	Mayberry et al.	
D635,634	S *	4/2011	Swan	D22/109
D637,259	S *	5/2011	Swan	D22/109
8,015,744	B1 *	9/2011	Swan	42/147
D647,158	S *	10/2011	Dueck	D22/109
D648,413	S	11/2011	Mayberry et al.	
D657,013	S *	4/2012	Swan	D22/109
D675,281	S	1/2013	Speroni	
D680,613	S	4/2013	Fitzpatrick	
D681,151	S	4/2013	Fitzpatrick	
8,484,882	B2	7/2013	Haley	
D687,915	S	8/2013	Adcock, Jr.	
D704,792	S	5/2014	Fitzpatrick et al.	
D705,890	S	5/2014	Fitzpatrick et al.	
2003/0140546	A1	7/2003	Kay	
2006/0156559	A1	7/2006	Forrest	
2007/0130817	A1	6/2007	Ballard	

2007/0234625	A1	10/2007	Kidd
2007/0271834	A1	11/2007	Keng
2008/0034638	A1	2/2008	Spuhr
2008/0253110	A1	10/2008	Wu
2012/0180370	A1	7/2012	McKinley

OTHER PUBLICATIONS

Design U.S. Appl. No. 29/420,155, filed May 4, 2012, "Translucent Magazine for a Firearm" by Fitzpatrick.

Design U.S. Appl. No. 29/423,116, filed May 29, 2012, "M3 10 Magazine" by Bennett.

Design U.S. Appl. No. 29/423,117, filed May 29, 2012, "M3 20 Magazine" by Bennett.

Design U.S. Appl. No. 29/440,787, filed Dec. 27, 2012, "Firearm Magazine" by Mayberry.

Design U.S. Appl. No. 29/440,889, filed Dec. 28, 2012, "Firearm Magazine" by Kielsmeier.

Design U.S. Appl. No. 29/440,792, filed Dec. 27, 2012, "Firearm Magazine with Window" by Kielsmeier.

Design U.S. Appl. No. 29/450,963, filed Mar. 26, 2013, "Magazine for a Firearm" by Nakayama.

Design U.S. Appl. No. 29/450,964, filed Mar. 26, 2013, "Magazine for a Firearm" by Nakayama.

* cited by examiner

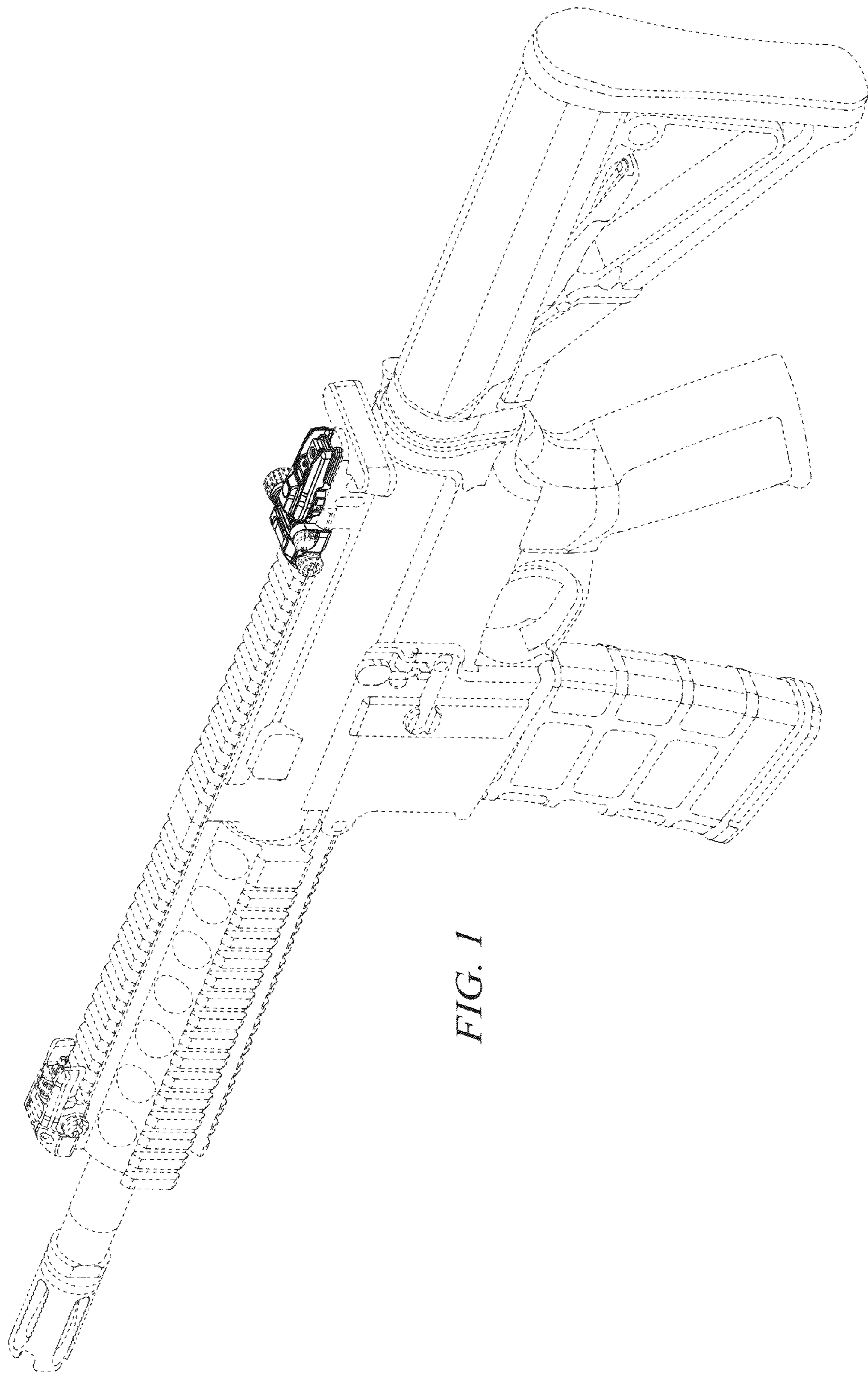


FIG. 1

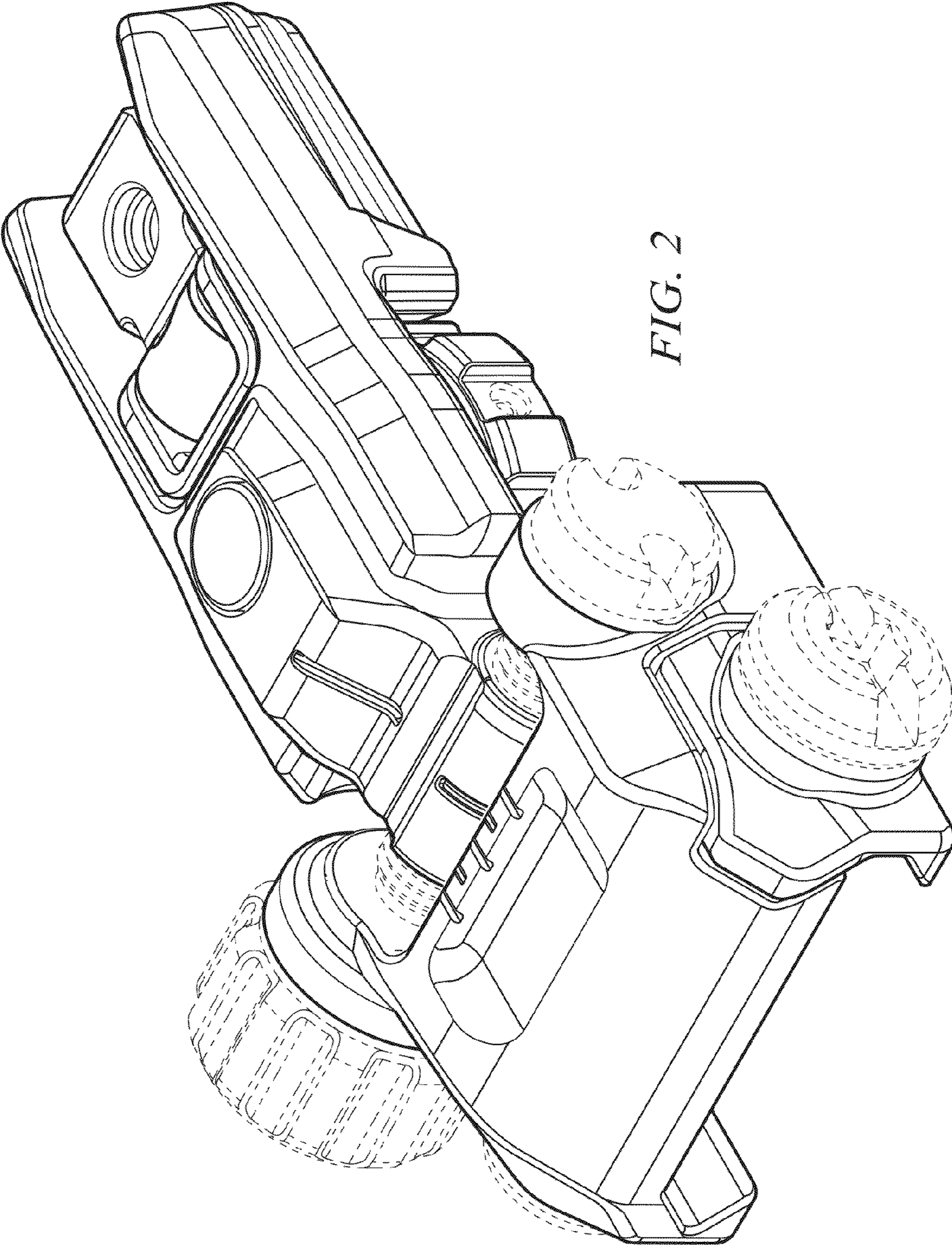


FIG. 2

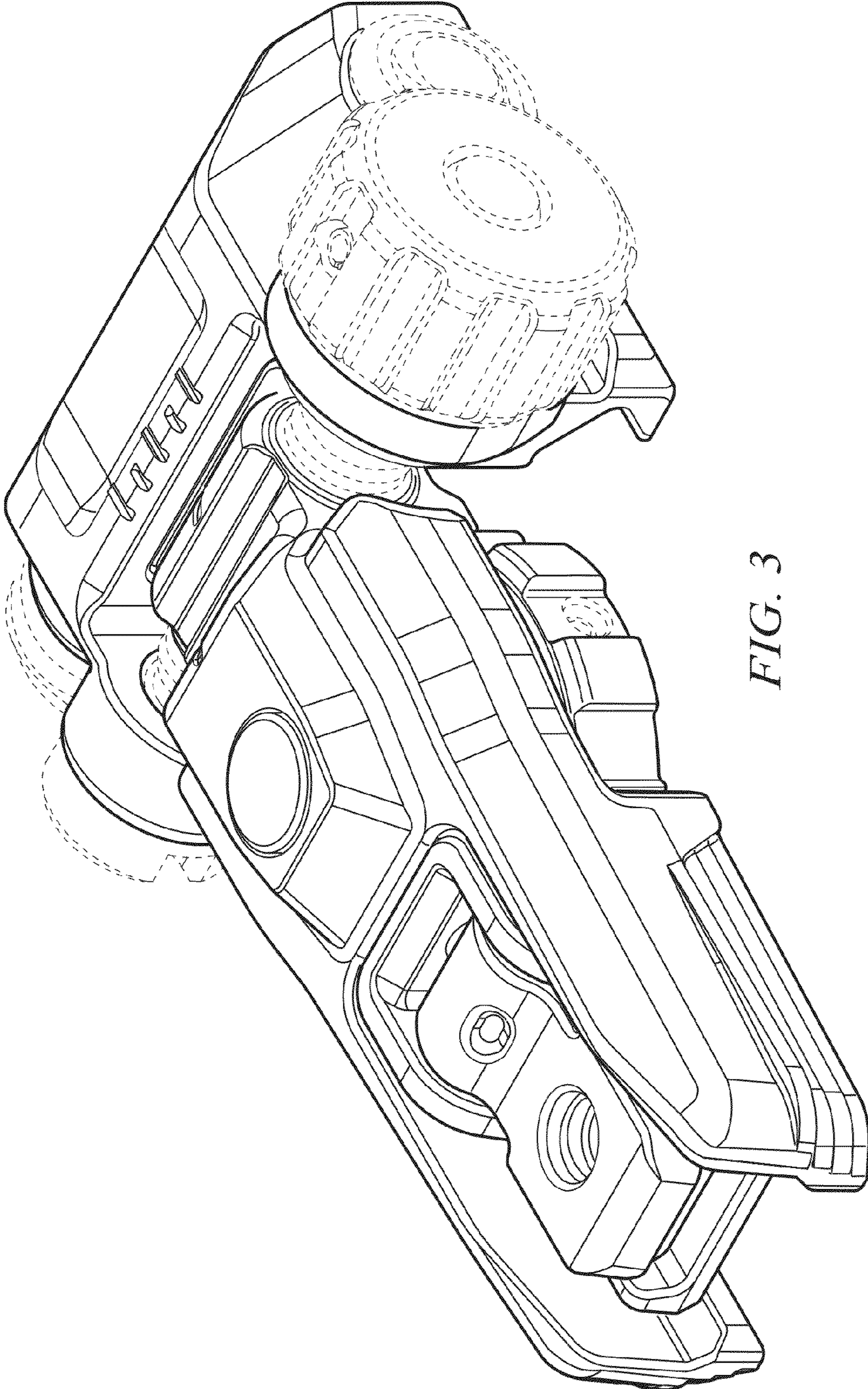


FIG. 3

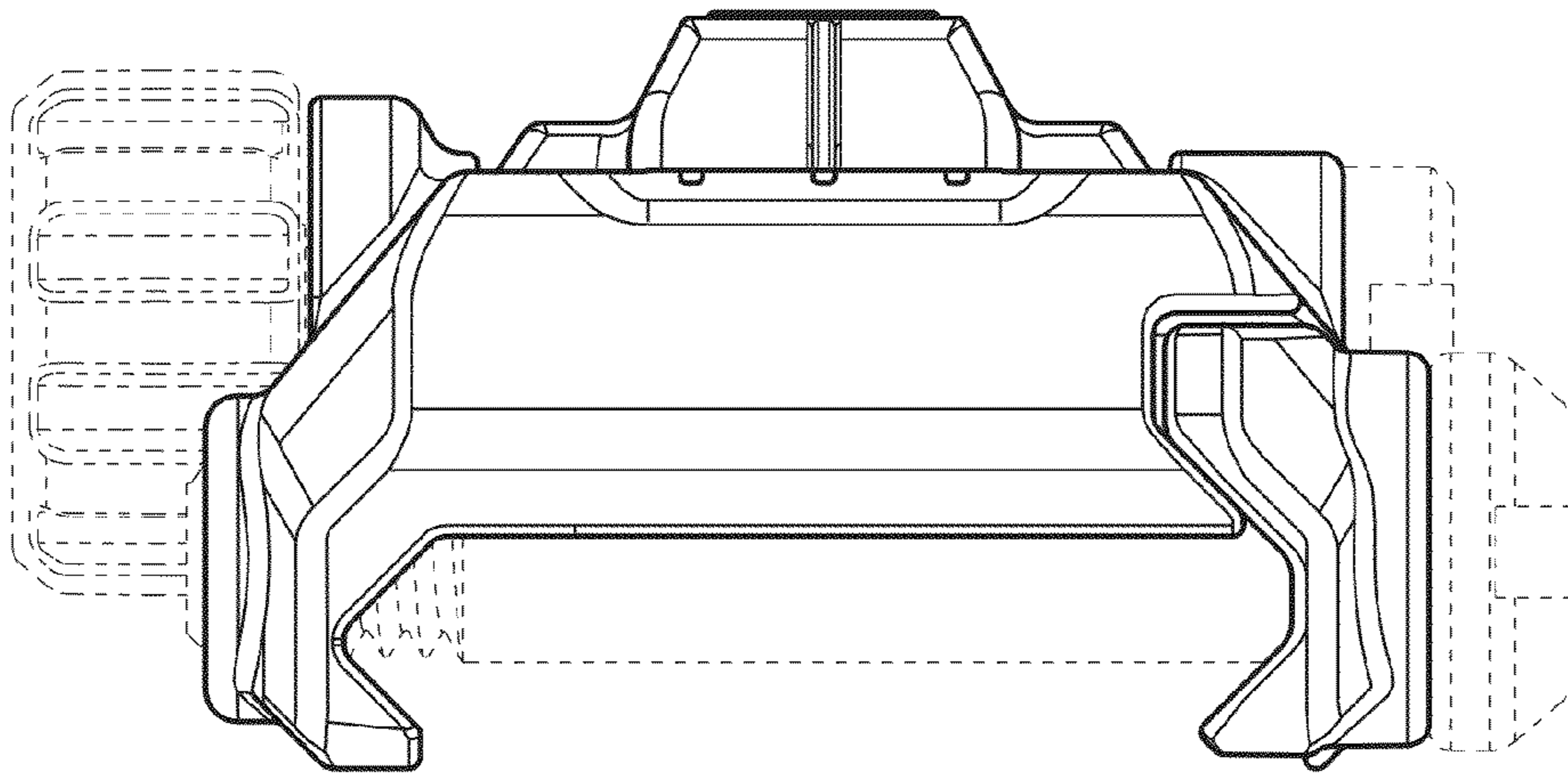


FIG. 4

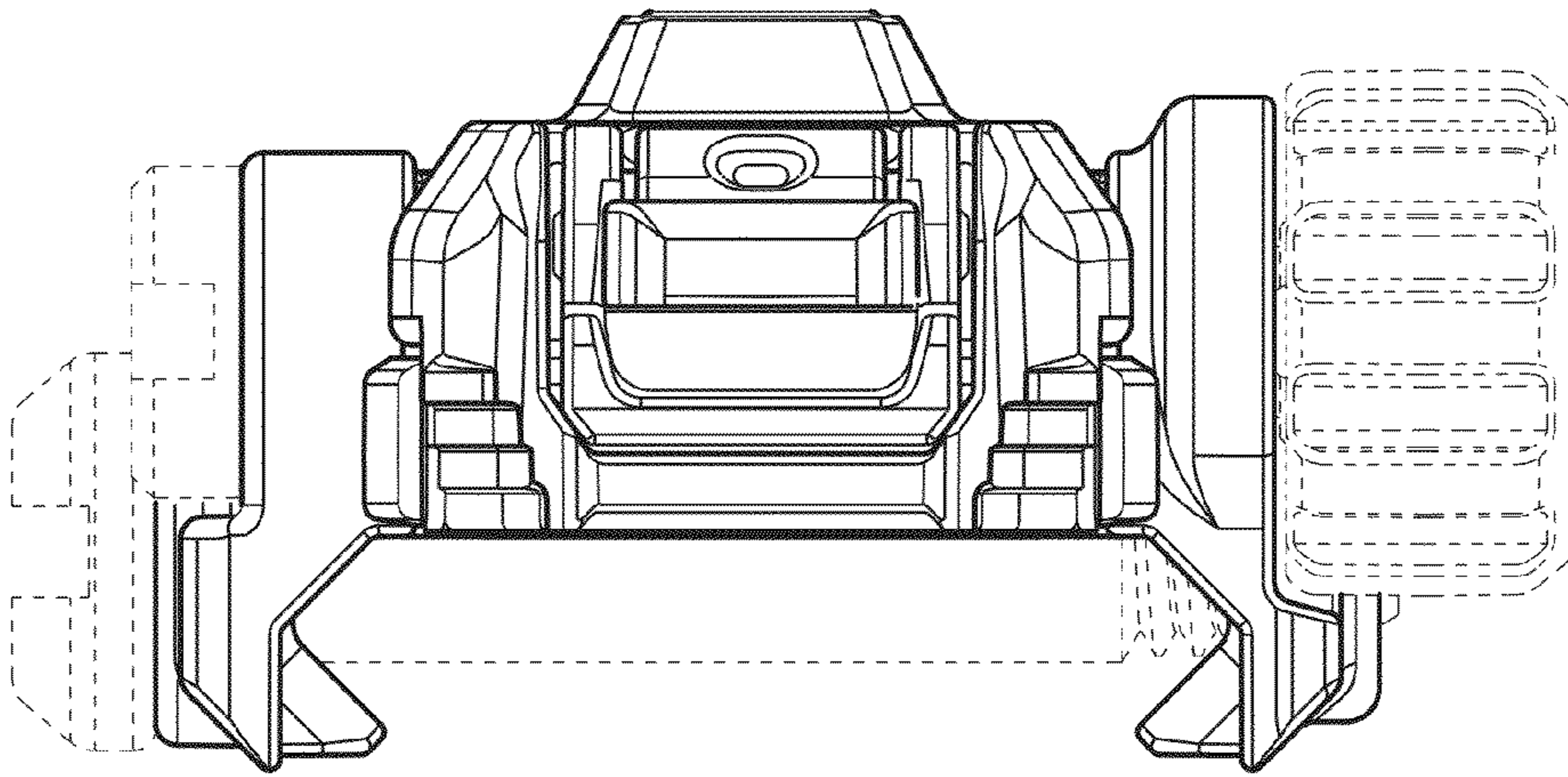


FIG. 5

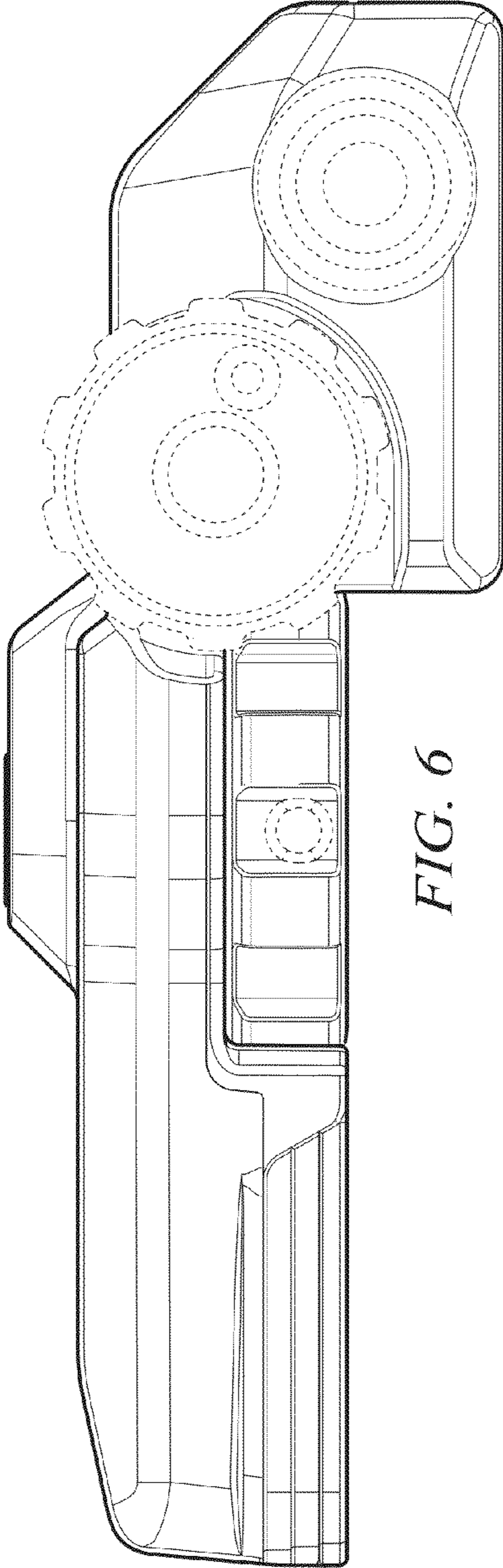


FIG. 6

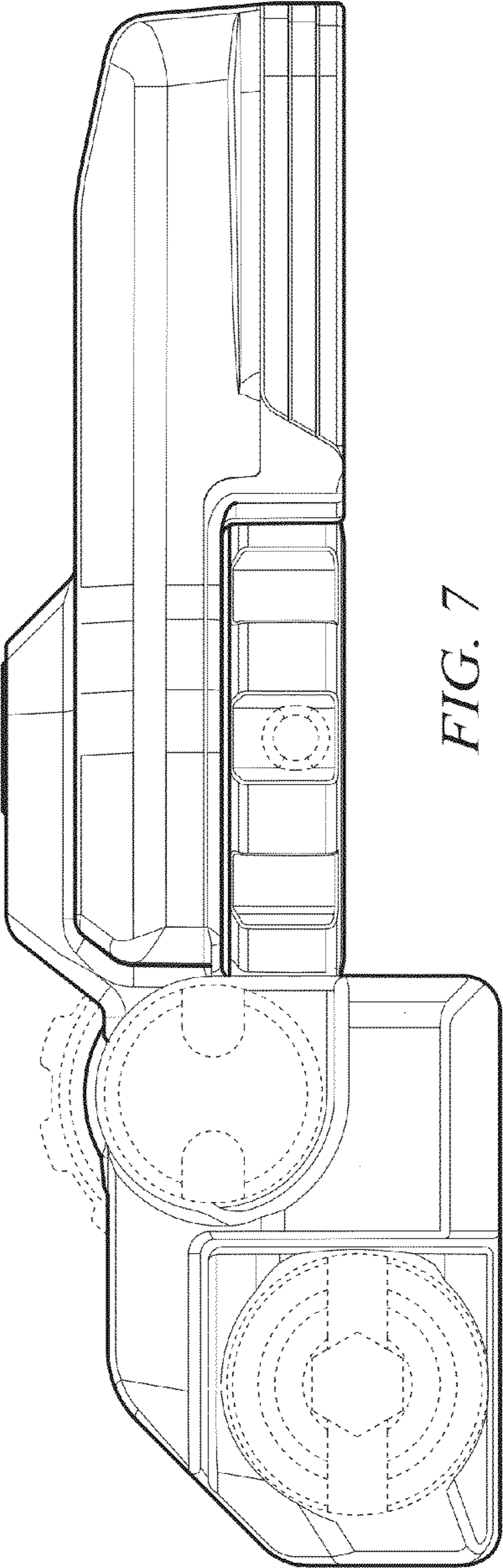


FIG. 7

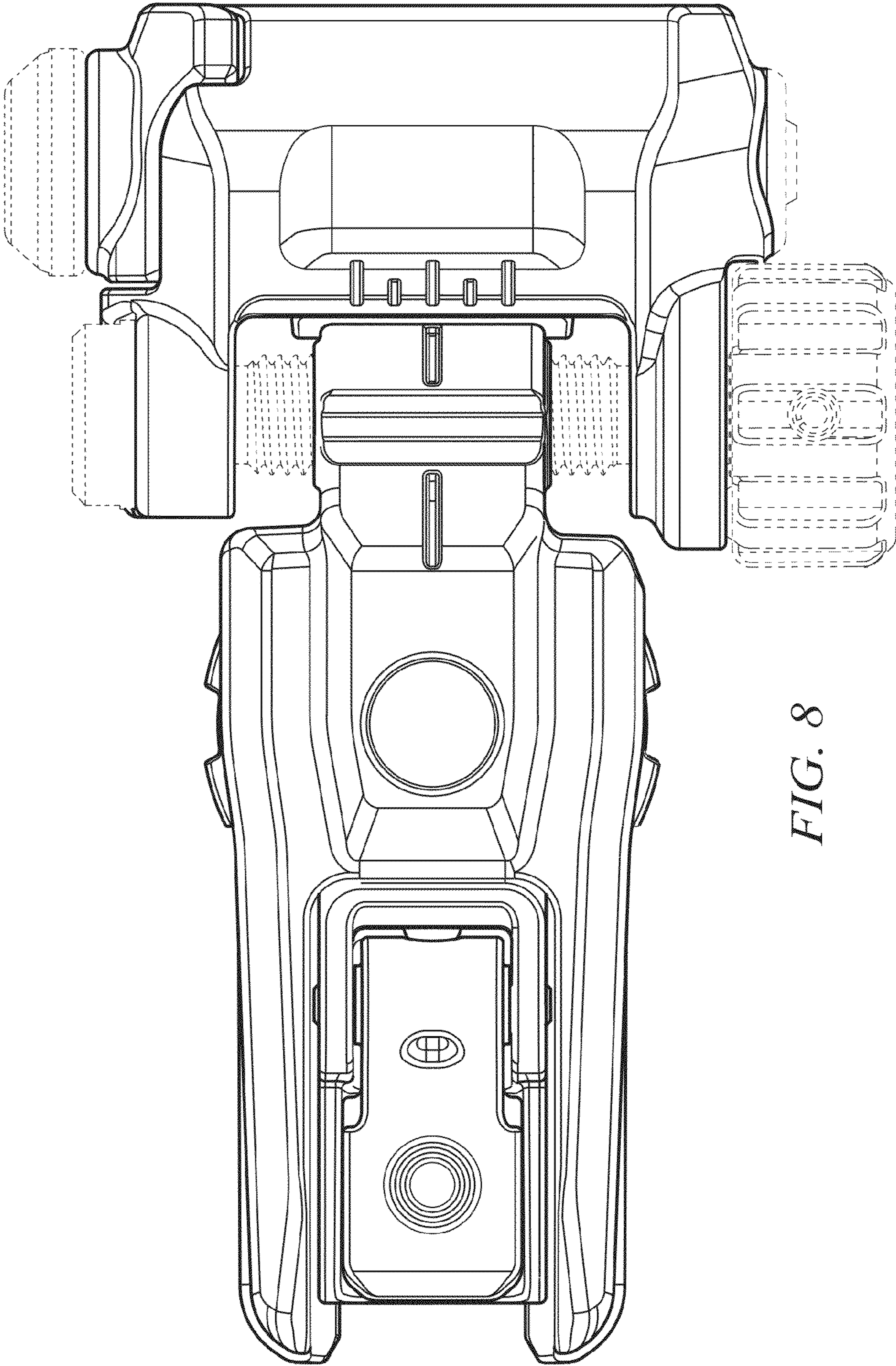


FIG. 8

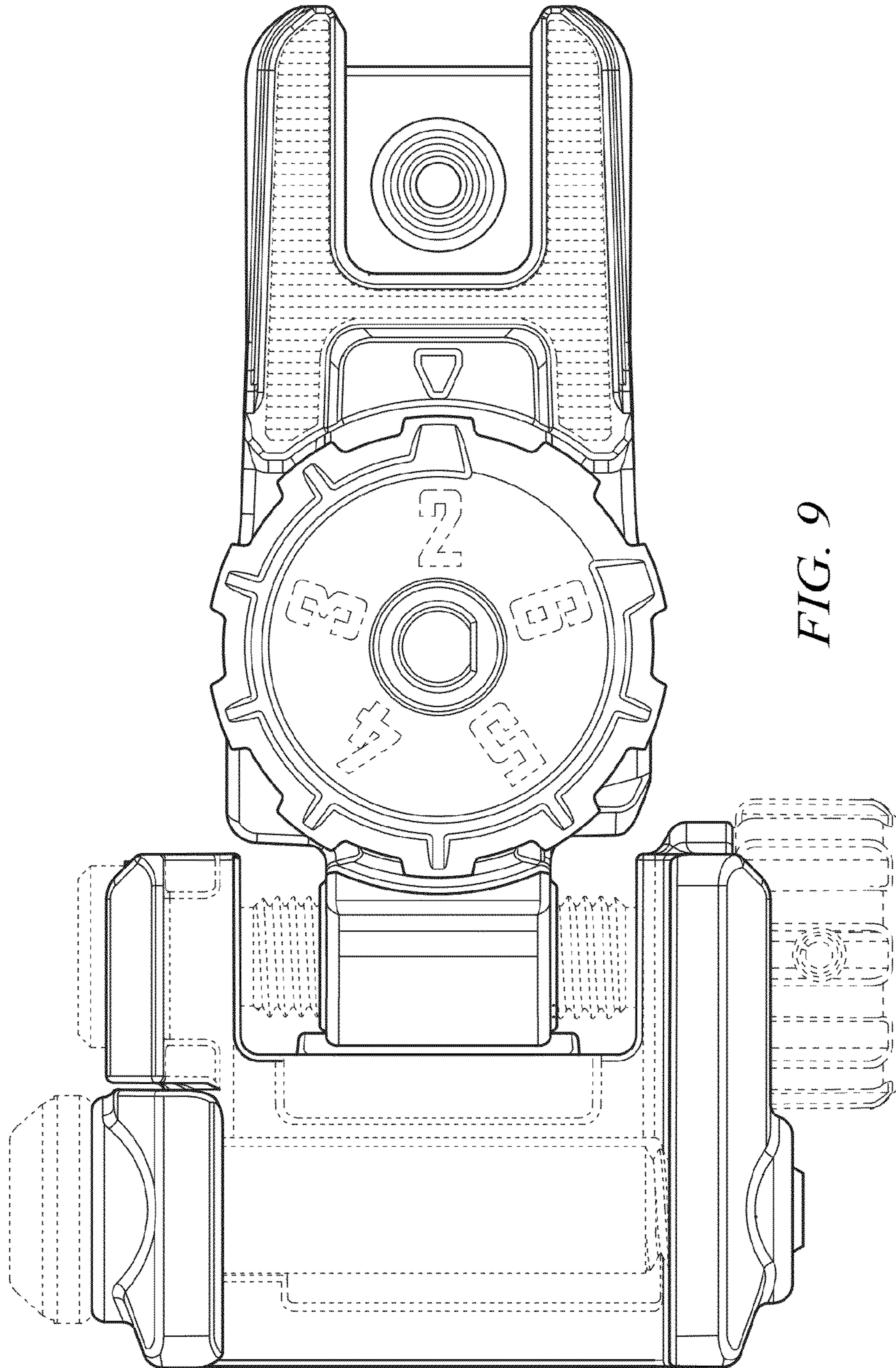


FIG. 9

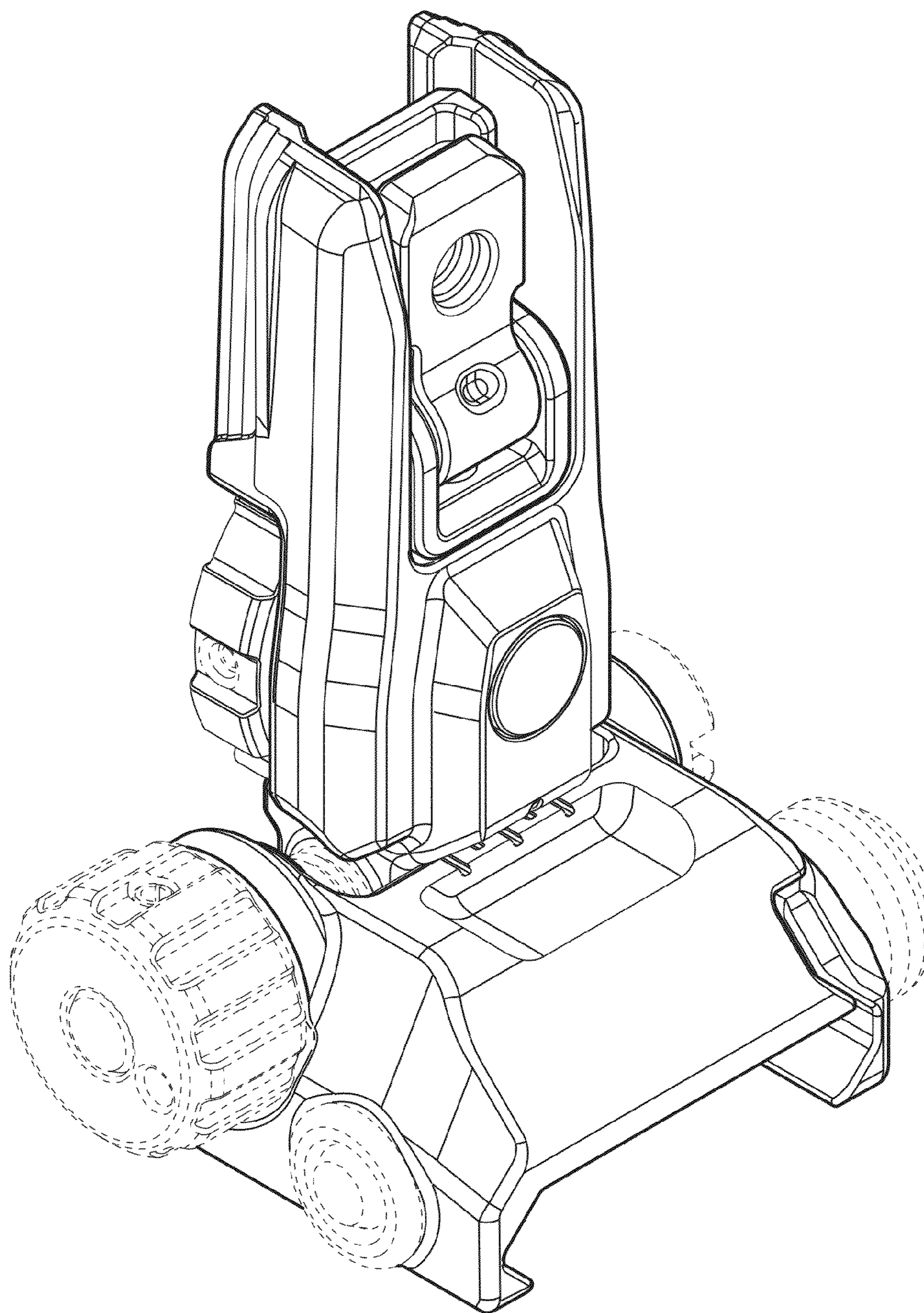


FIG. 10

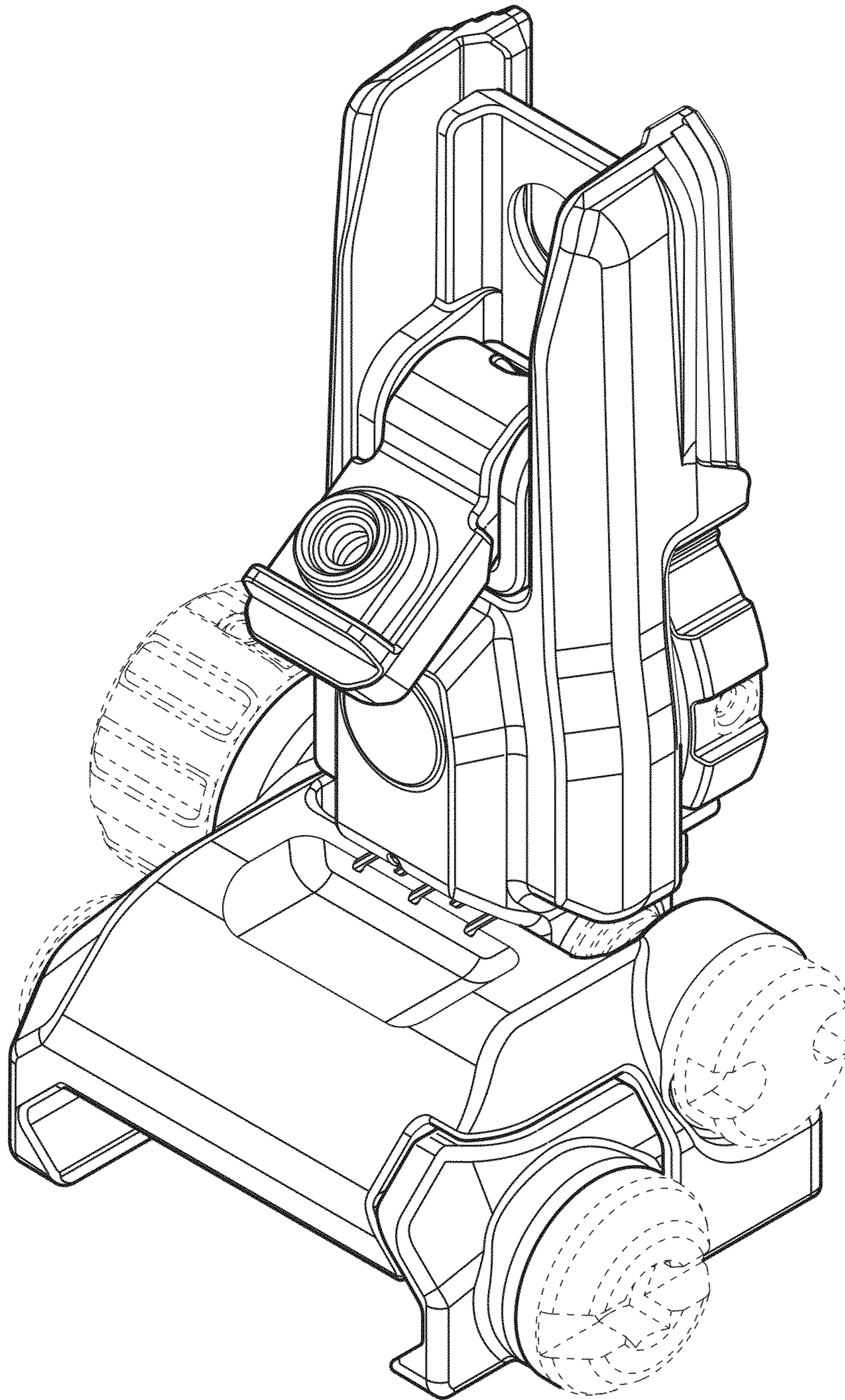


FIG. 11