

US00D724690S

(12) **United States Design Patent**
Carlson et al.

(10) **Patent No.:** **US D724,690 S**
(45) **Date of Patent:** **** Mar. 17, 2015**

(54) **PRACTICE PROJECTILE**

(71) Applicant: **Alliant Techsystems Inc.**, Minneapolis, MN (US)

(72) Inventors: **Erik K. Carlson**, Oak Grove, MN (US);
Joshua L. Edel, East Bethel, MN (US);
Lawrence P. Head, Cambridge, MN (US)

(73) Assignee: **Alliant Techsystems Inc.**, Minneapolis, MN (US)

(**) Term: **14 Years**

(21) Appl. No.: **29/467,245**

(22) Filed: **Sep. 17, 2013**

Related U.S. Application Data

(63) Continuation of application No. 29/411,064, filed on Jan. 16, 2012, now Pat. No. Des. 689,975.

(51) **LOC (10) Cl.** **22-01**

(52) **U.S. Cl.**

USPC **D22/109**

(58) **Field of Classification Search**

CPC F42B 5/02; F42B 5/26; F42B 5/28;
F42B 5/30; F42B 5/32; F42B 5/34; F42B
5/36; F42B 5/38; F42B 8/02; F42B 8/04;
F42B 8/06; F42B 30/02

USPC D22/116; 102/346, 430, 439, 448, 458,
102/460, 464-468, 471, 501, 506, 508, 514,
102/517, 521; 86/10, 19.5, 23, 25, 46-48,
86/54-55

See application file for complete search history.

(56) **References Cited**

U.S. PATENT DOCUMENTS

280,067 A * 6/1883 Mulvey 206/3
2,926,612 A * 3/1960 Olin 102/514

(Continued)

Primary Examiner — Michael A Pratt

(74) *Attorney, Agent, or Firm* — Christensen Fonder P.A.

(57) **CLAIM**

We claim the ornamental design for practice projectile, as shown and described.

DESCRIPTION

FIG. 1 is a front elevational view of according to an embodiment of the invention, the elevational views from the sides and back being identical thereto.

FIG. 2 is a front perspective view of the projectile depicted in FIG. 1, the perspective views from the sides and back being identical thereto.

With respect to FIGS. 1 and 2, the graphical symbols on the lower protruding band are illustrative of a copper to gold coloration, the coloration extending across the entirety of the band, said color being part of the claimed design. Also, the symbols on top portion of the projectile indicate transparency, the transparency being part of the design. The two uppermost horizontal lines in FIG. 1, and the corresponding lines in FIG. 2 indicate only a change in contour in the shape of the top portion.

FIG. 3 is a front elevational view of according to an embodiment of the invention, the elevational views from the sides and back being identical thereto.

FIG. 4 is a front perspective view of the projectile depicted in FIG. 3, the perspective views from the sides and back being identical thereto.

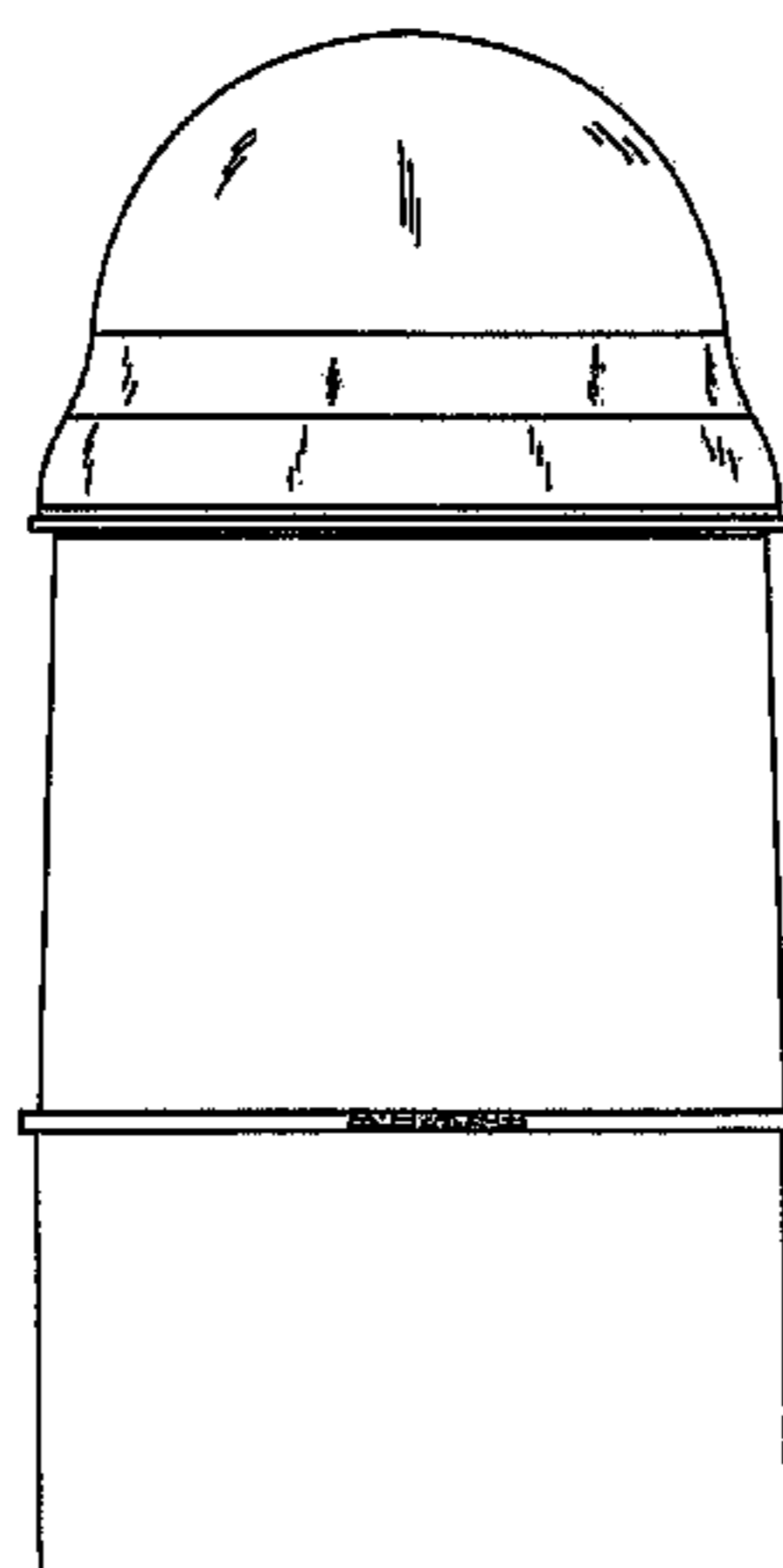
With respect to FIGS. 3 and 4, the graphical symbols on the lower band and upper band are illustrative of a copper to gold coloration, the coloration extending across the entirety of the bands where shown, said color being part of the claimed design. Also, the symbols on top portion of the projectile indicate transparency, the transparency being part of the design. The uppermost horizontal line in FIG. 3, and the corresponding line in FIG. 4 indicate only a change in curvature (e.g. convex to concave) in the shape of the top portion.

FIG. 5 is a front elevational view of according to an embodiment of the invention, the elevational views from the sides and back being identical thereto; and,

FIG. 6 is a front perspective view of the projectile depicted in FIG. 5, the perspective views from the sides and back being identical thereto.

With respect to FIGS. 5 and 6, the graphical symbols on the lower protruding bands and the two lower generally cylindrical portions are illustrative of a silver to gray coloration, the silver to gray coloration extending across the entirety of the lower portion, said color being part of the claimed design. Also, the symbols on top portion of the projectile, specifically the dome portion and the cylindrical portion below the dome portion, indicate transparency, the transparency being part of the design. The line between the dome portion and the cylindrical portion therebelow representing the change curvature (e.g. dome shape to cylindrical) in FIGS. 5 and 6.

1 Claim, 3 Drawing Sheets



(56)

References Cited

U.S. PATENT DOCUMENTS

3,144,827	A *	8/1964	Boutwell	102/466	6,615,739	B2 *	9/2003	Gibson et al.	102/513
4,565,131	A *	1/1986	Buchner	102/444	6,845,716	B2 *	1/2005	Husseini et al.	102/466
D309,339	S *	7/1990	Lutfy	D22/116	D518,727	S *	4/2006	Haley et al.	D9/504
6,415,718	B1 *	7/2002	Saxby	102/446	7,225,741	B2 *	6/2007	Huffman	102/434
6,575,098	B2 *	6/2003	Hsiung	102/498	RE40,482	E *	9/2008	Haeselich	102/513
					8,286,557	B2 *	10/2012	Endicott et al.	102/513
					2010/0282118	A1 *	11/2010	Ladyjensky et al.	102/513
					2012/0017793	A1 *	1/2012	Huffman	102/444

* cited by examiner

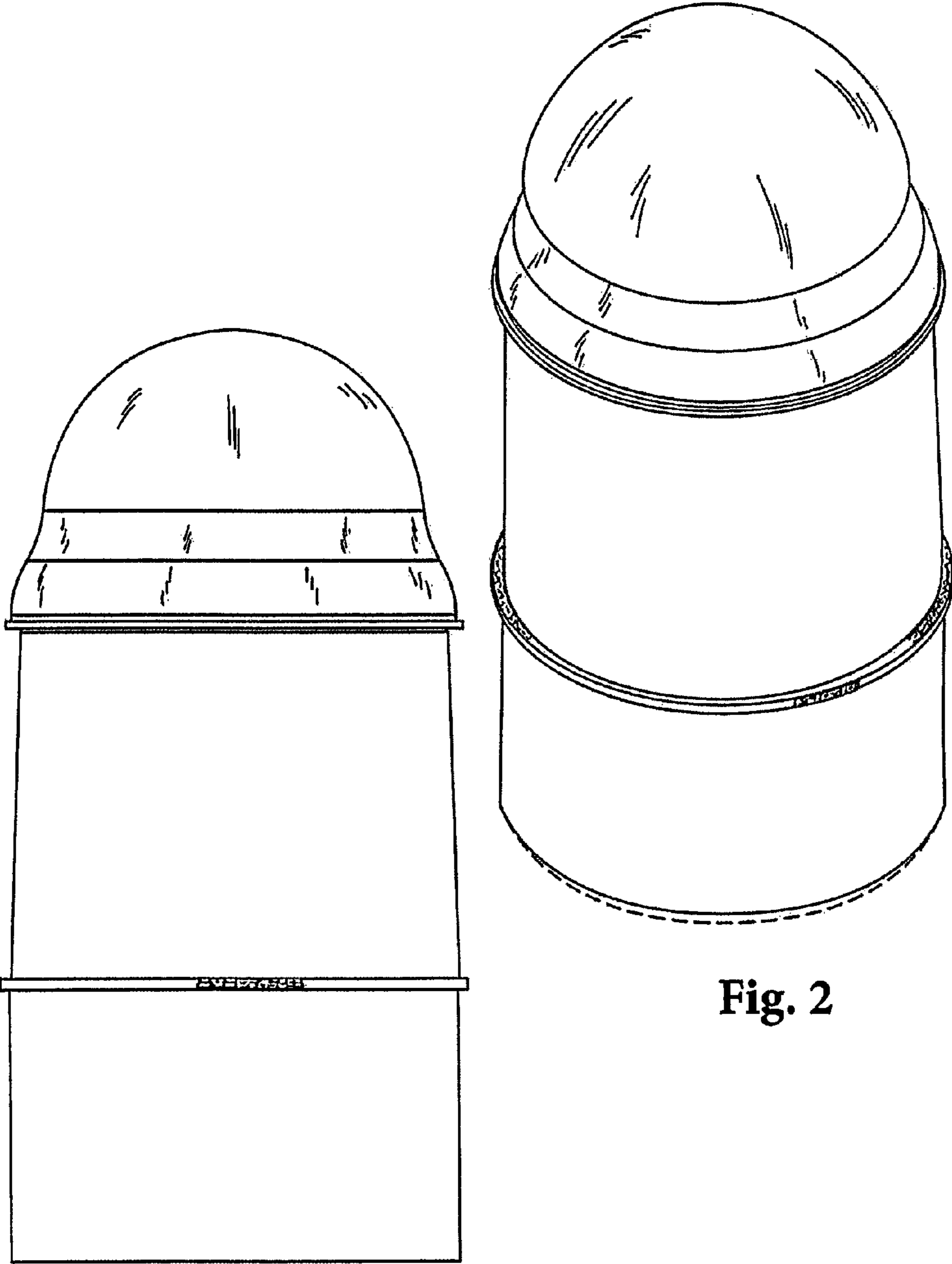


Fig. 1

Fig. 2

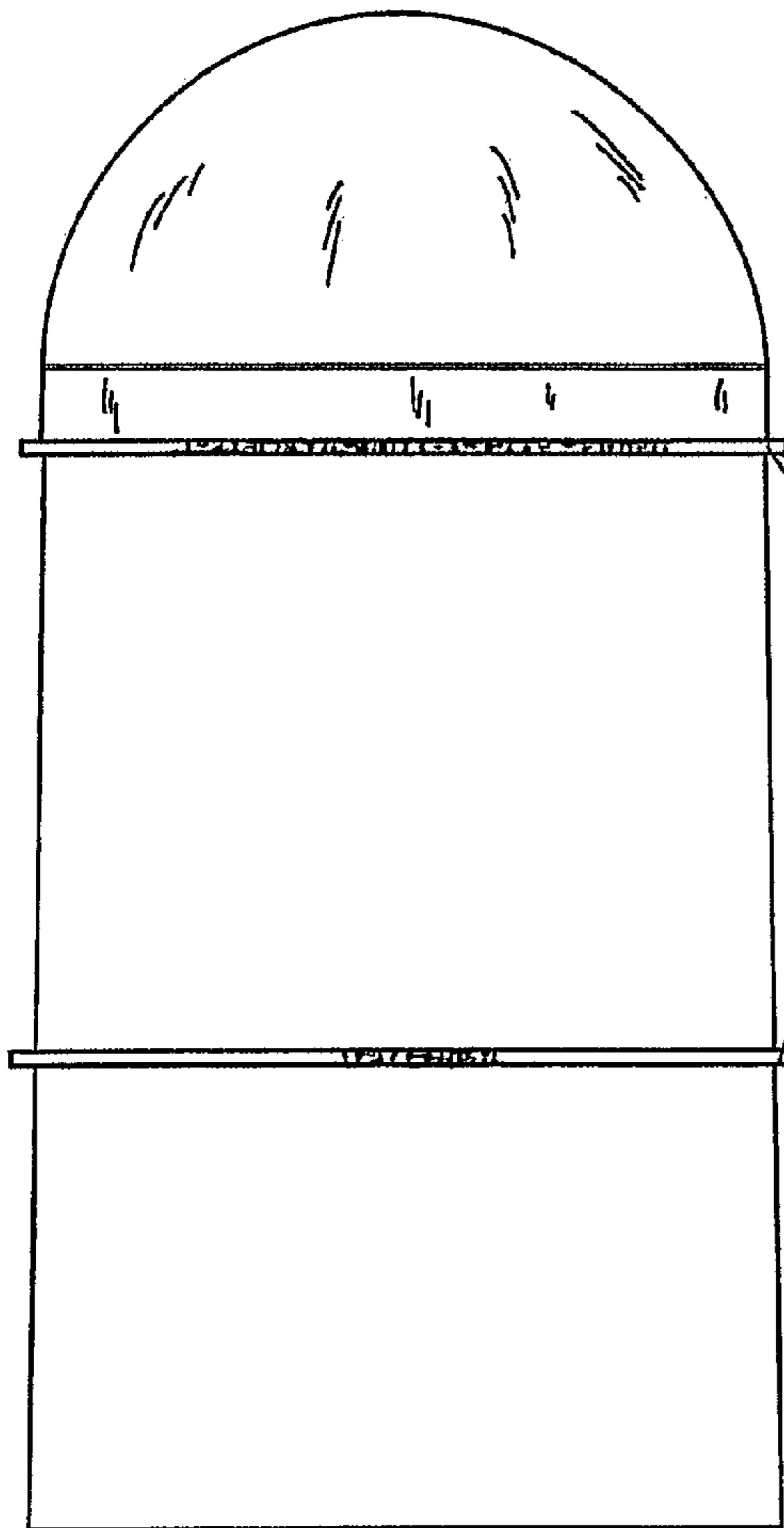
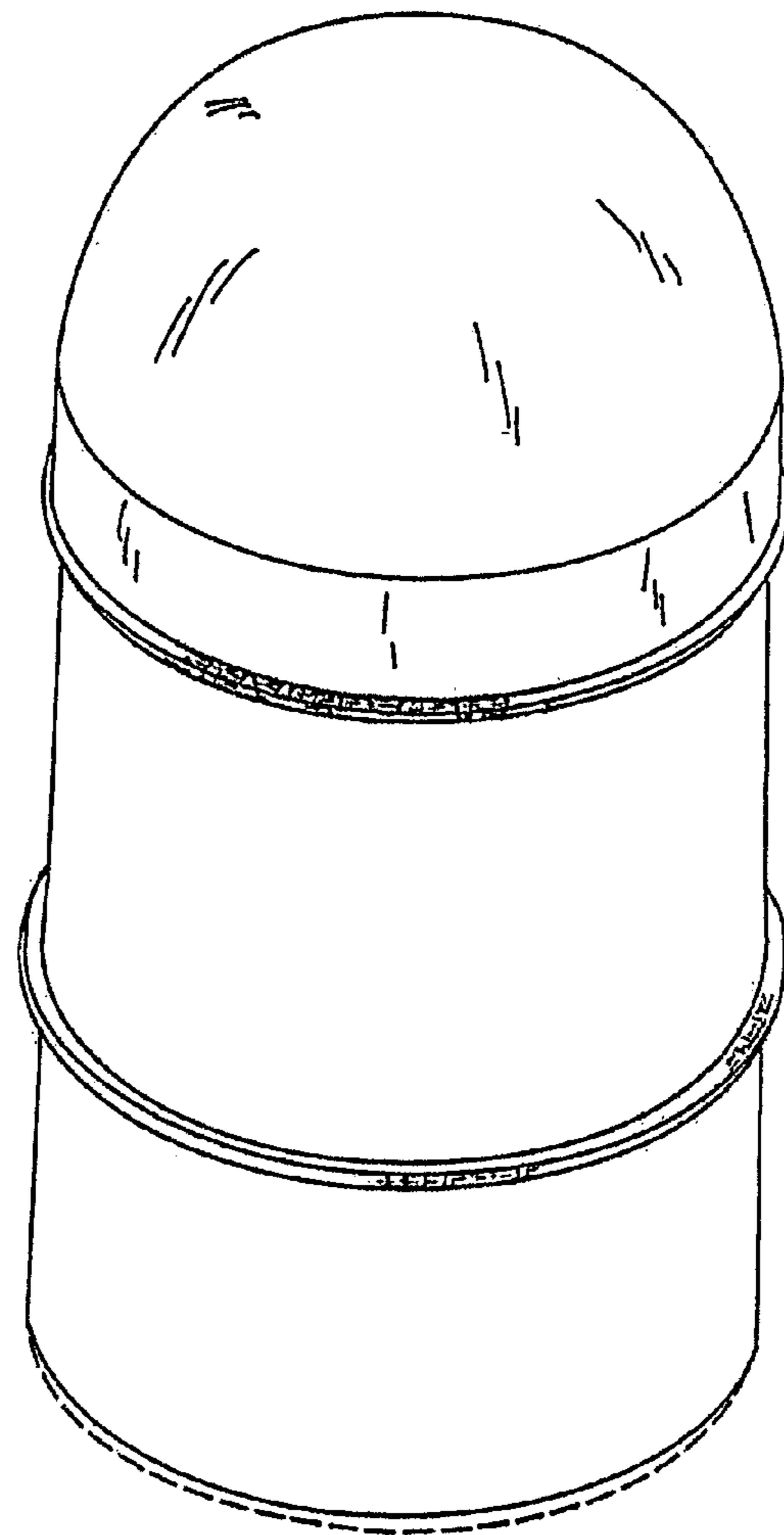


Fig. 3



Fig. 4



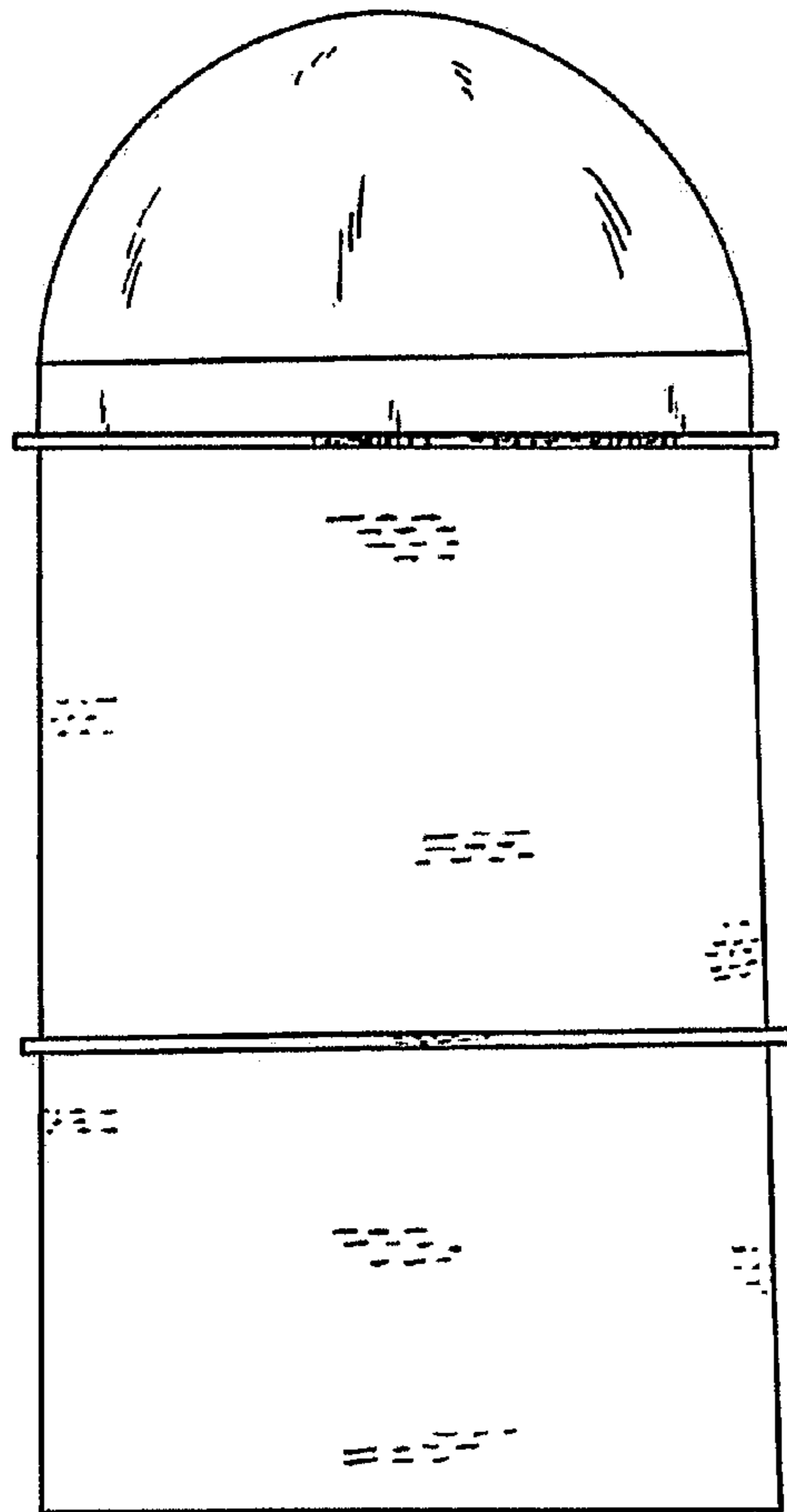


Fig. 5

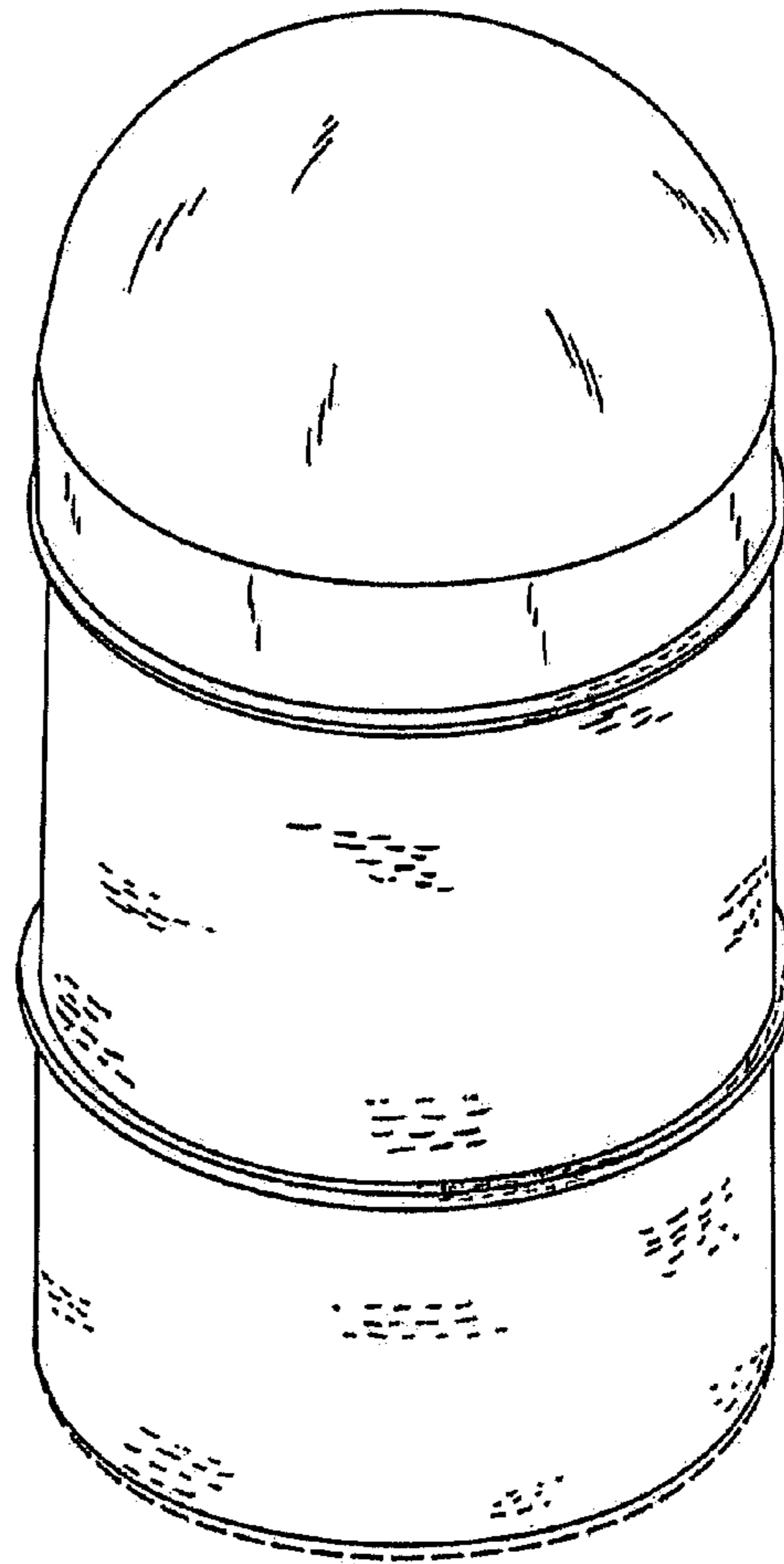


Fig. 6

UNITED STATES PATENT AND TRADEMARK OFFICE
CERTIFICATE OF CORRECTION

PATENT NO. : D724,690 S
APPLICATION NO. : 29/467245
DATED : March 17, 2015
INVENTOR(S) : Carlson et al.

Page 1 of 1

It is certified that error appears in the above-identified patent and that said Letters Patent is hereby corrected as shown below:

Title page, Col. 2, item (57), under "DESCRIPTION", Line 33, delete "thereto; and," and insert -- thereto. --, therefor.

Title page, Col. 2, item (57), under "DESCRIPTION", Line 38, delete "lower protruding" and insert -- two lower protruding --, therefor.

Title page, Col. 2, item (57), under "DESCRIPTION", Line 40, delete "entirely" and insert -- entirety --, therefor.

Signed and Sealed this
Fourteenth Day of July, 2015



Michelle K. Lee
Director of the United States Patent and Trademark Office