



US00D724689S

(12) **United States Design Patent**  
**Sui**

(10) **Patent No.:** **US D724,689 S**  
(45) **Date of Patent:** **\*\* Mar. 17, 2015**

(54) **SLIDE CHARGING HANDLE**  
(71) Applicant: **Yongming Sui**, Ontario (CA)  
(72) Inventor: **Yongming Sui**, Ontario (CA)  
(73) Assignee: **Field Sport Inc.**, Ontario, CA (US)  
(\*\*) Term: **14 Years**

6,775,940 B2 \* 8/2004 Dworzan et al. .... 42/1.01  
8,468,734 B2 \* 6/2013 Meller et al. .... 42/90  
2011/0088539 A1 \* 4/2011 Oz ..... 89/1.4  
2011/0154710 A1 \* 6/2011 Hatfield ..... 42/90  
2013/0283660 A1 \* 10/2013 Matthews et al. .... 42/113  
2014/0298703 A1 \* 10/2014 Gale et al. .... 42/71.02

\* cited by examiner

(21) Appl. No.: **29/470,951**

*Primary Examiner* — Michael A Pratt  
(74) *Attorney, Agent, or Firm* — Che-Yang Chen; Law Office of Michael Chen

(22) Filed: **Oct. 25, 2013**

(51) **LOC (10) Cl.** ..... **22-01**

(57) **CLAIM**

(52) **U.S. Cl.**  
USPC ..... **D22/108**

The ornamental design for a slide charging handle, as shown and described.

(58) **Field of Classification Search**  
CPC ..... F41C 23/10; F41C 23/14; F41C 23/16;  
F41C 23/18  
USPC ..... D22/108; 362/109–114; 42/1.02, 85,  
42/90, 106; D8/80–84; 16/110.1, 405,  
16/409, 410, 413, 422, 444, 427  
See application file for complete search history.

**DESCRIPTION**

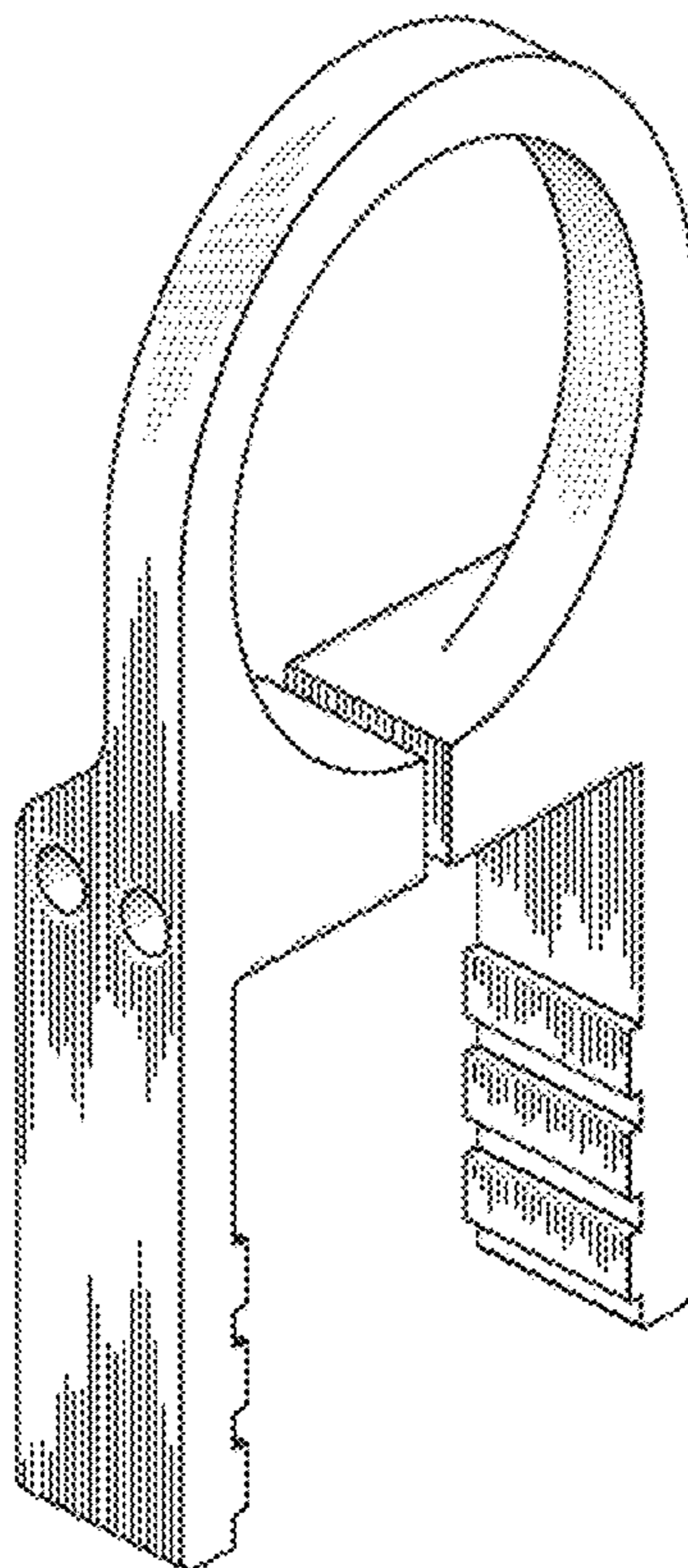
FIG. 1 is a perspective view of a slide charging handle showing my new design;  
FIG. 2 is a front elevational view thereof;  
FIG. 3 is a rear elevational view thereof;  
FIG. 4 is a left side elevational view thereof;  
FIG. 5 is a right side elevational view thereof;  
FIG. 6 is a top plan view thereof; and,  
FIG. 7 is a bottom plan view thereof.

(56) **References Cited**

U.S. PATENT DOCUMENTS

1,680,186 A \* 8/1928 Von Frommer ..... 42/106  
5,758,524 A \* 6/1998 Yu ..... 70/276

**1 Claim, 5 Drawing Sheets**



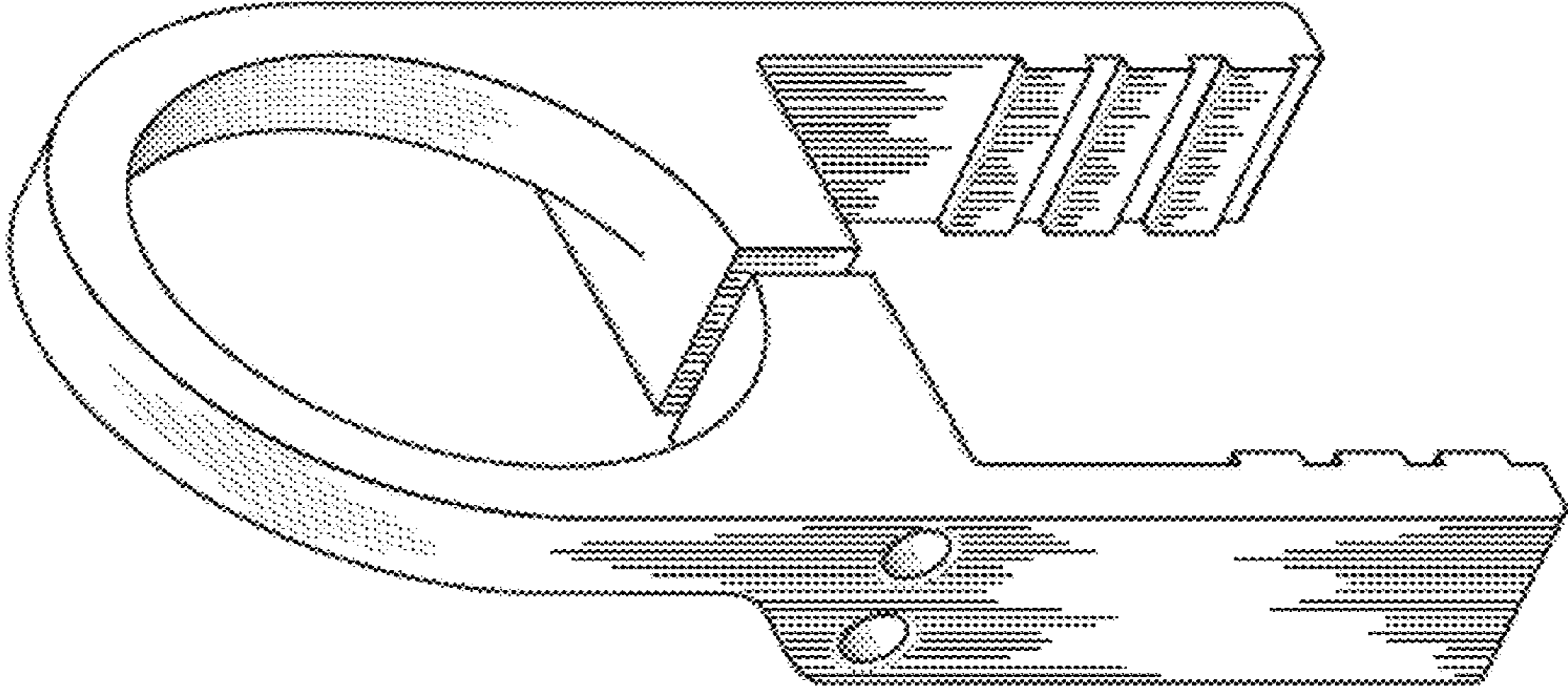


FIG. 1

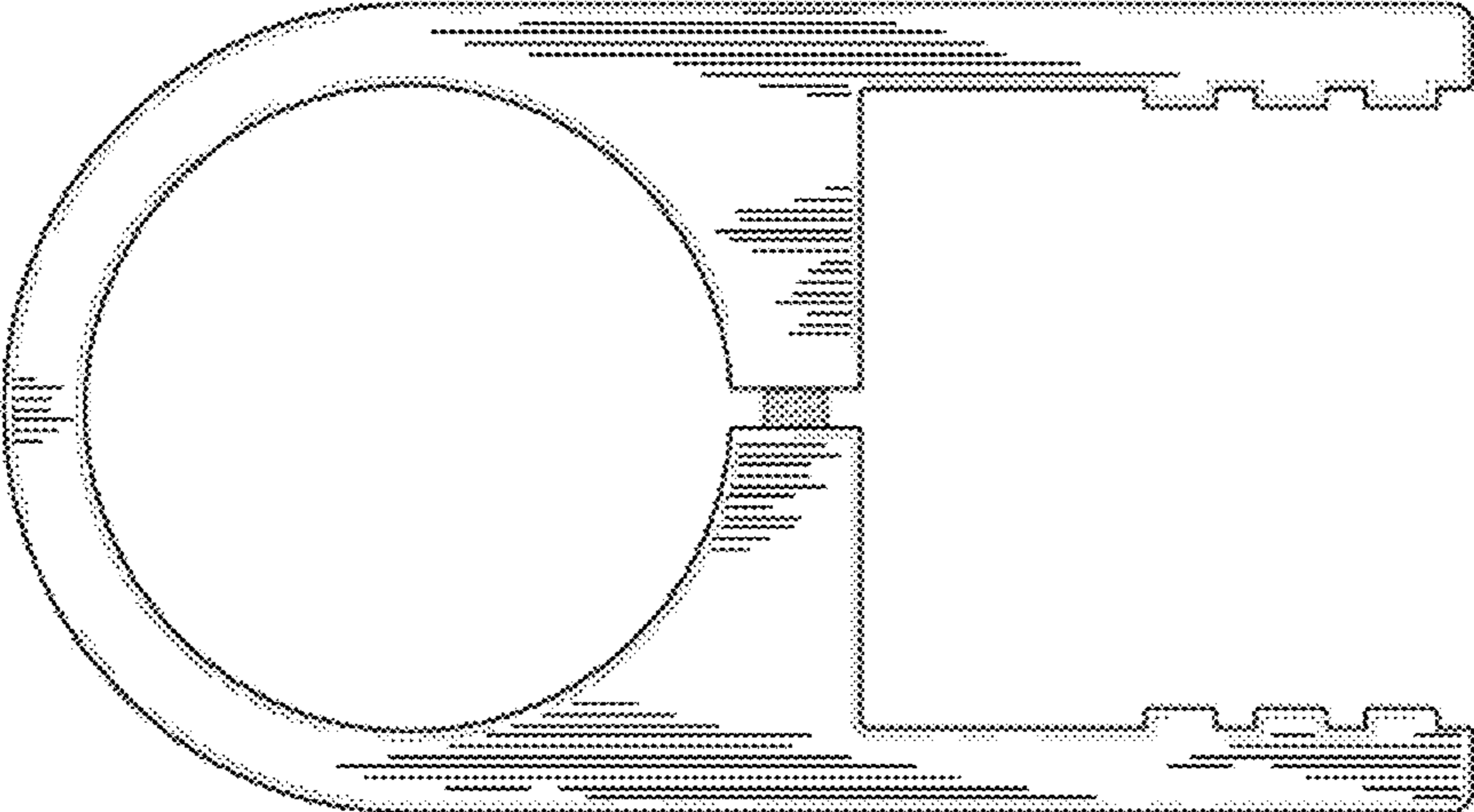


FIG. 2

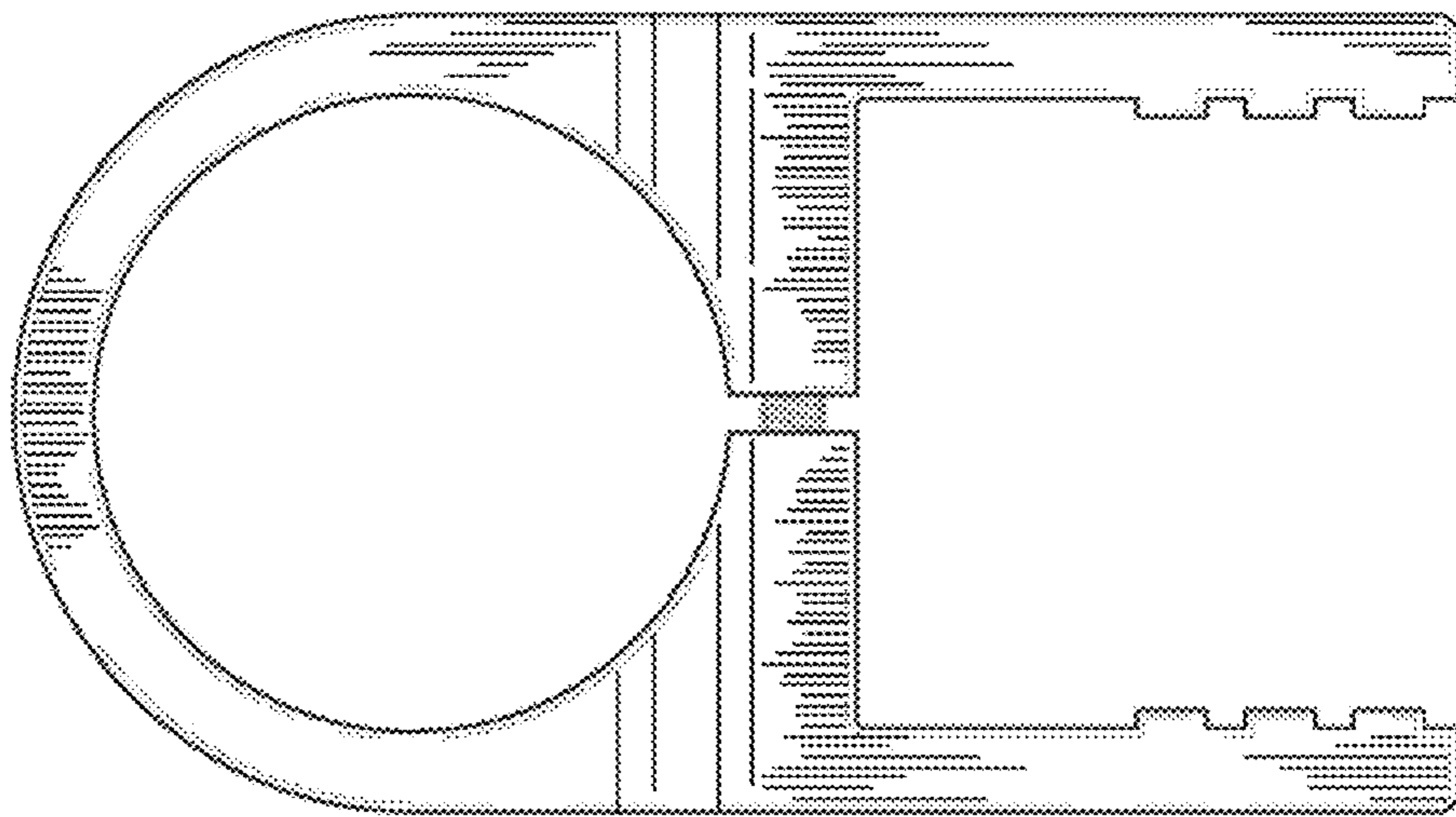


FIG. 3

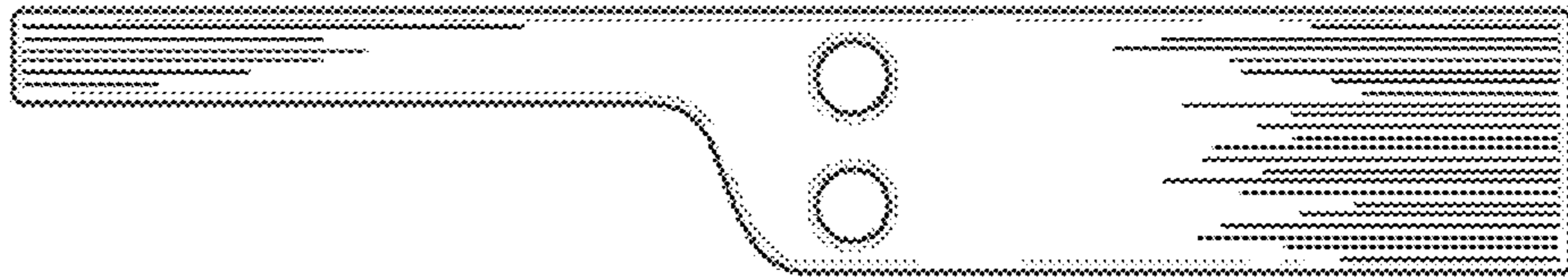


FIG. 5

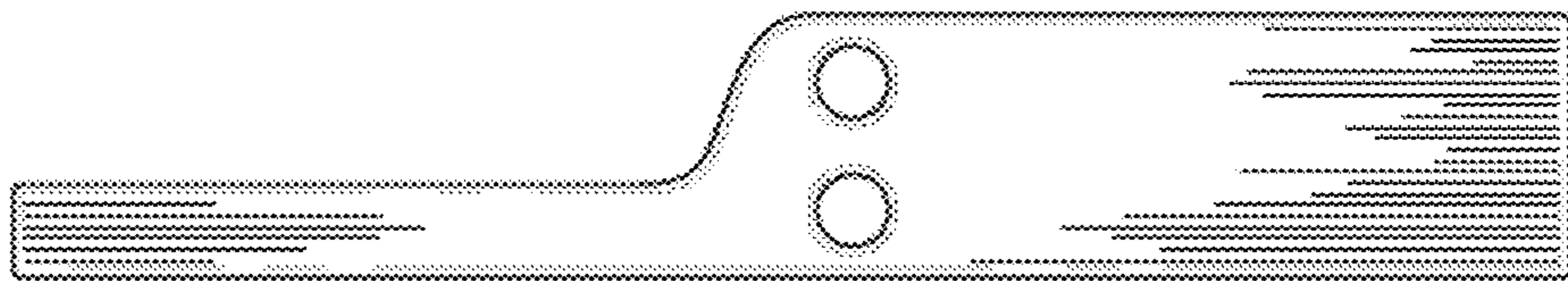


FIG. 4

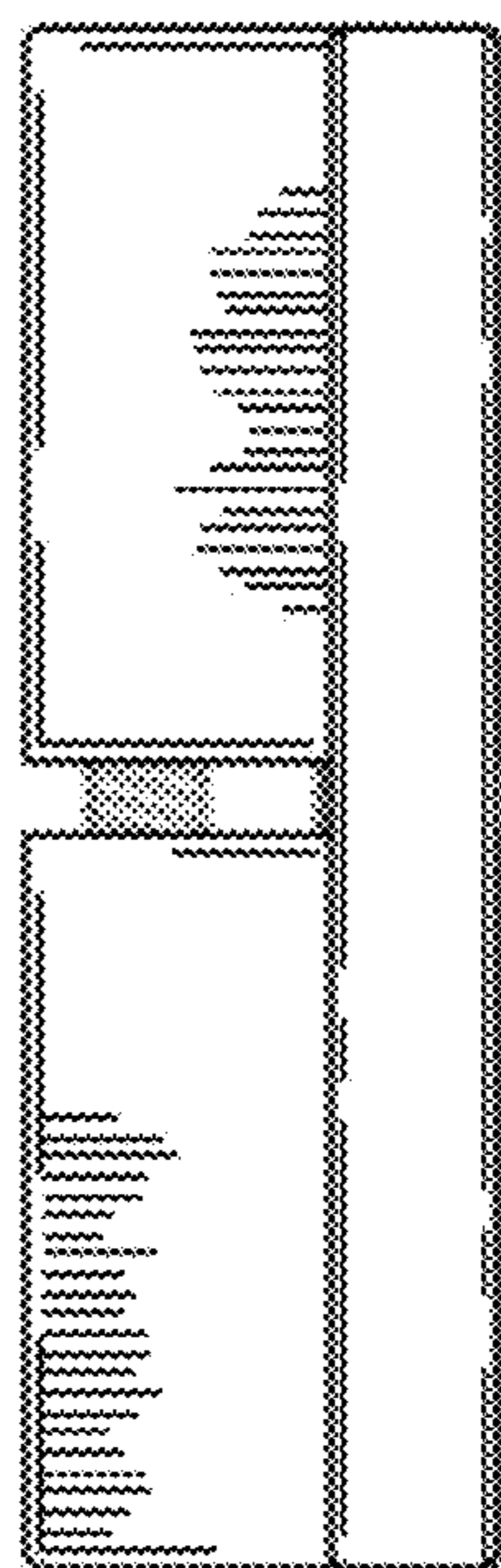


FIG. 6

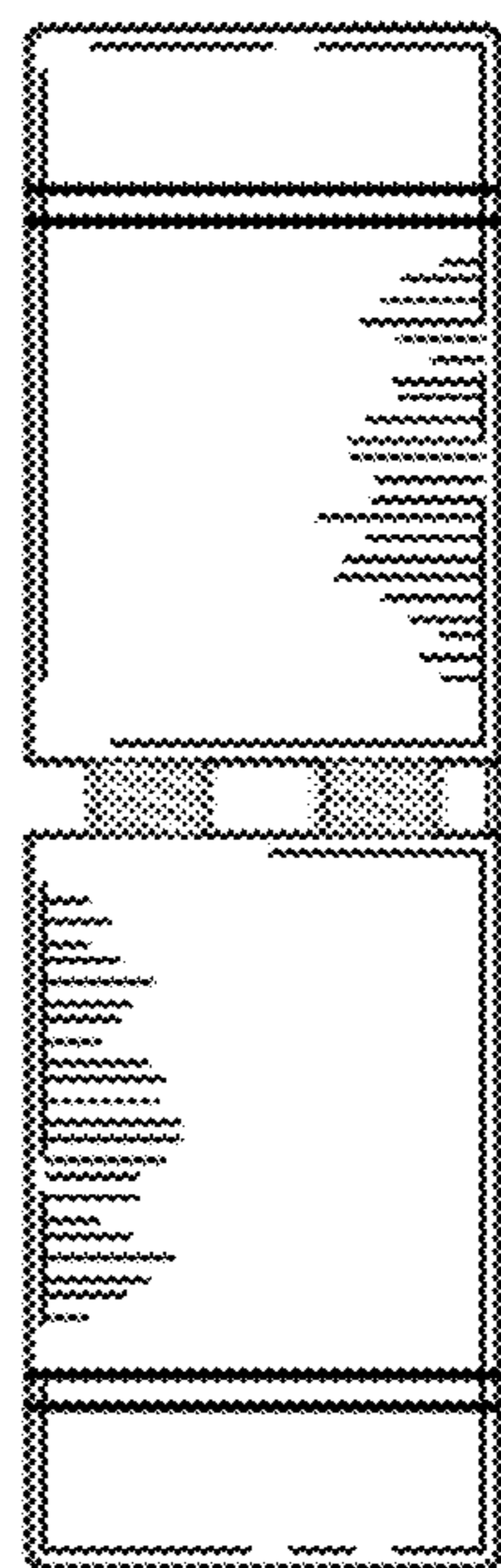


FIG. 7