



US00D724687S

(12) **United States Design Patent**
Pittman

(10) **Patent No.:** **US D724,687 S**

(45) **Date of Patent:** **** Mar. 17, 2015**

(54) **LIGHT MOUNT**

(75) Inventor: **Earl L. Pittman**, Fort Collins, CO (US)

(73) Assignee: **Impact Weapons Components, LLC**,
Timnath, CO (US)

(**) Term: **14 Years**

(21) Appl. No.: **29/406,564**

(22) Filed: **Nov. 16, 2011**

(51) **LOC (10) Cl.** **22-01**

(52) **U.S. Cl.**
USPC **D22/108**

(58) **Field of Classification Search**
USPC D22/108-109; 42/123-124, 127,
42/131-132, 146; D26/24-27, 38, 40, 42,
D26/46-47, 51, 60, 113, 118, 130-133,
D26/136; 362/110-120
See application file for complete search history.

(56) **References Cited**

U.S. PATENT DOCUMENTS

D556,290 S * 11/2007 Swan D22/109
7,395,627 B2 * 7/2008 La France et al. 42/114

* cited by examiner

Primary Examiner — Michael A Pratt

(74) *Attorney, Agent, or Firm* — Cooley LLP

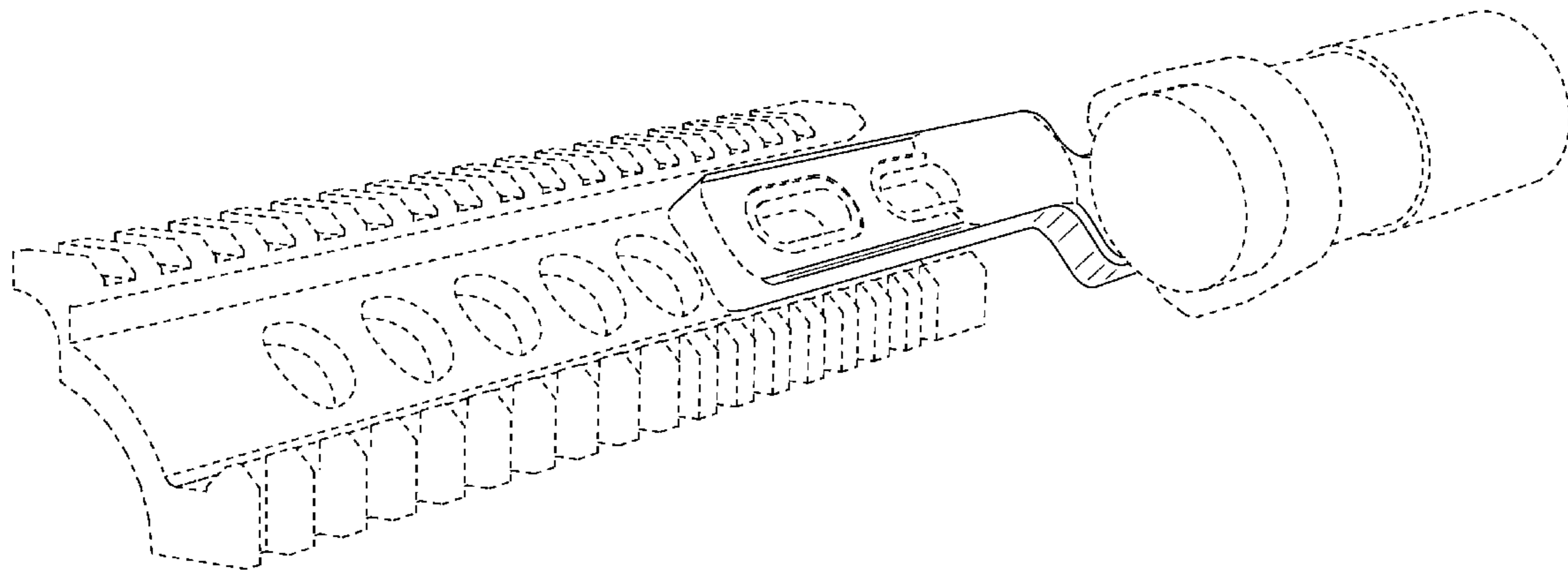
(57) **CLAIM**

The ornamental design for a light mount, as shown and described.

DESCRIPTION

FIG. 1 is a perspective view;
FIG. 2 is another perspective view;
FIG. 3 is a top view;
FIG. 4 is a bottom view;
FIG. 5 is a front view;
FIG. 6 is a back view;
FIG. 7 is a left side view; and,
FIG. 8 is a right side view.
The broken lines immediately adjacent the shaded areas represent the bounds of the claimed design while all other broken lines are directed to environment and are for illustrative purposes only; the broken lines form no part of the claimed design.

1 Claim, 3 Drawing Sheets



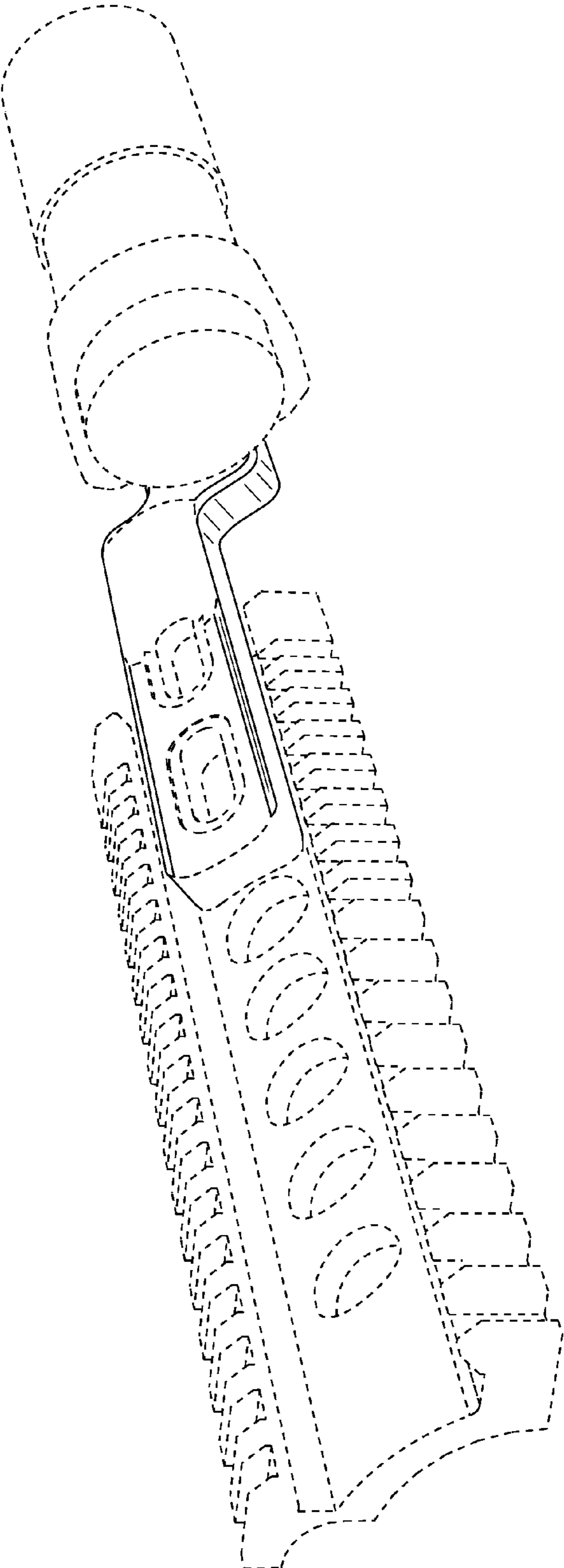


FIG.1

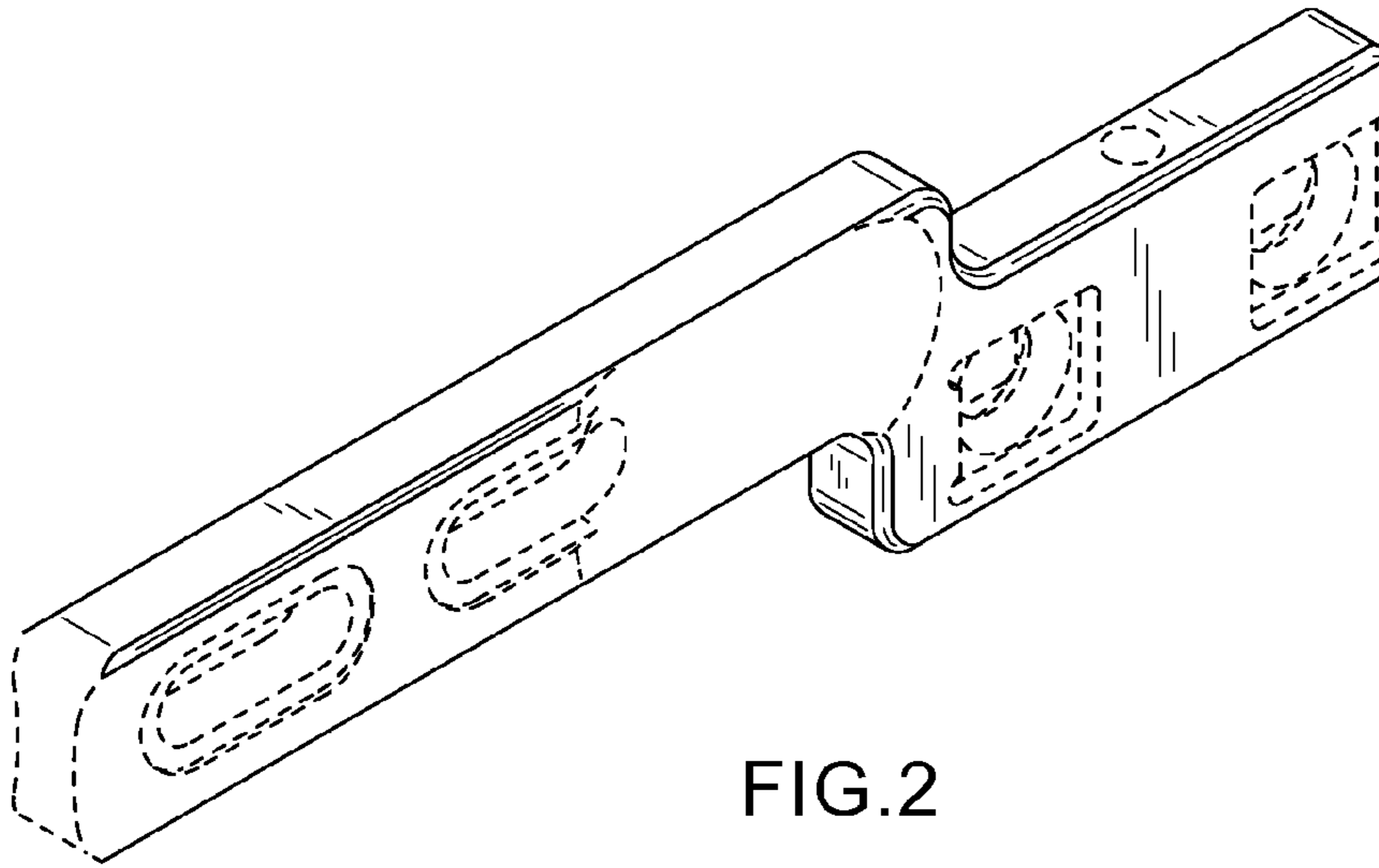


FIG. 2

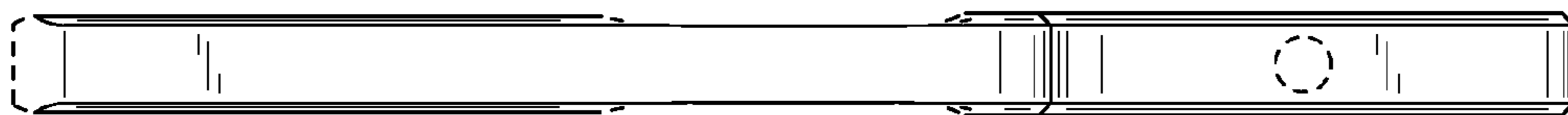


FIG. 3

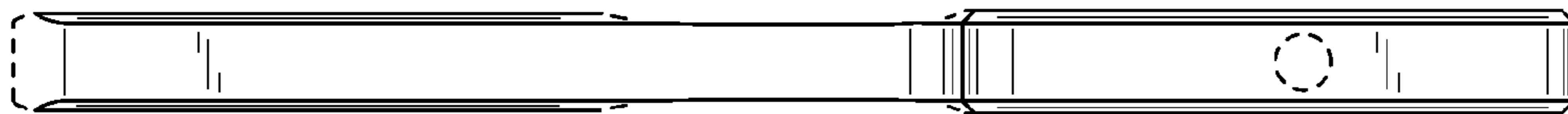


FIG. 4

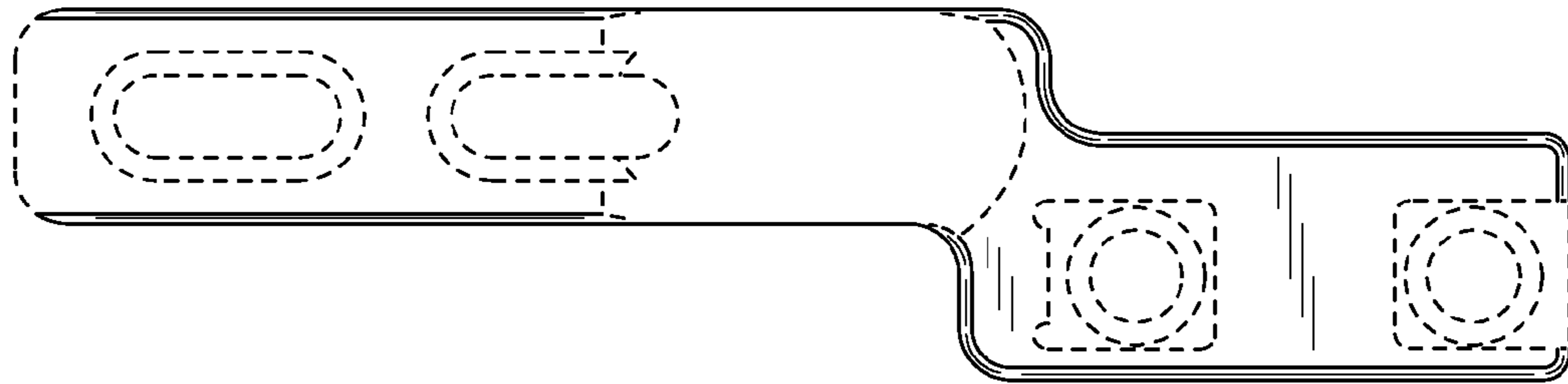


FIG. 5

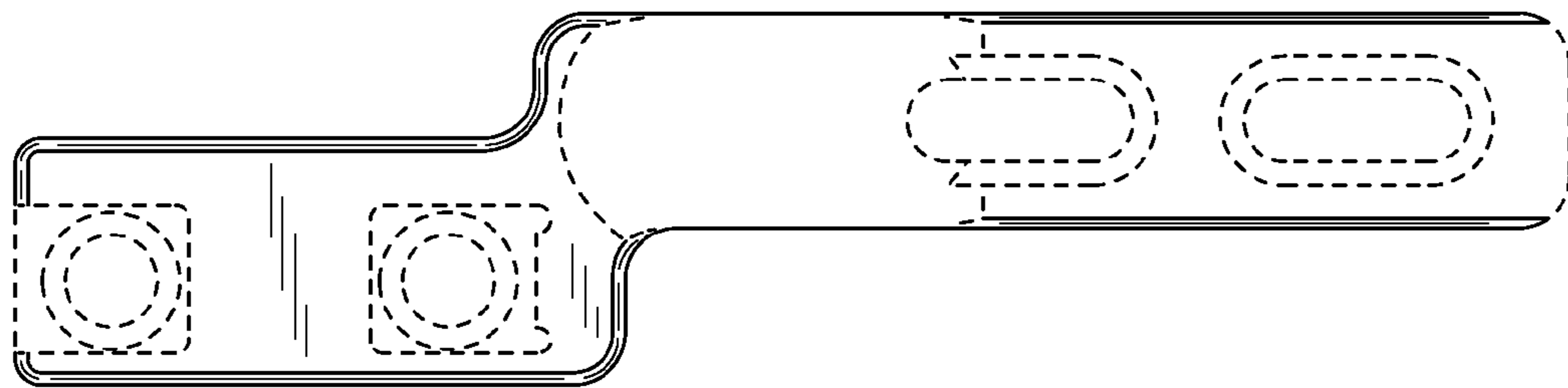


FIG. 6



FIG. 7



FIG. 8