



US00D724684S

(12) **United States Design Patent**
Cohen et al.

(10) **Patent No.:** **US D724,684 S**
(45) **Date of Patent:** **** Mar. 17, 2015**

(54) **PERSONAL GOLF BALL MARKER**

(71) Applicants: **Martin Cohen**, Delray Beach, FL (US);
Charles M. Ventre, Saugus, MA (US)

(72) Inventors: **Martin Cohen**, Delray Beach, FL (US);
Charles M. Ventre, Saugus, MA (US)

(**) Term: **14 Years**

(21) Appl. No.: **29/468,478**

(22) Filed: **Sep. 30, 2013**

(51) **LOC (10) Cl.** **21-02**

(52) **U.S. Cl.**
USPC **D21/789**

(58) **Field of Classification Search**
CPC A63B 45/02; A63B 47/00
USPC D21/789; 206/315.9; 473/351; 101/35
See application file for complete search history.

(56) **References Cited**

U.S. PATENT DOCUMENTS

D301,554 S *	6/1989	Ogawa	D10/82
D323,301 S *	1/1992	Cheng	D21/794
6,742,449 B2 *	6/2004	Sosin	101/35
6,862,984 B2 *	3/2005	Sosin	101/35
D531,248 S *	10/2006	Burnett	D21/789
7,299,685 B1 *	11/2007	Burnett	73/65.02
D558,291 S *	12/2007	Burnett	D21/789
D569,469 S *	5/2008	Dingman et al.	D21/789
7,399,234 B2 *	7/2008	Geraty	473/257
D581,478 S *	11/2008	Sciocluna et al.	D21/796
D604,786 S *	11/2009	Millar	D21/789
D677,749 S *	3/2013	McLemore	D21/796
D707,318 S *	6/2014	Kim	D21/789
2002/0189468 A1 *	12/2002	Sosin	101/35
2004/0173109 A1 *	9/2004	Sosin	101/35
2005/0255940 A1 *	11/2005	Tebbe	473/351
2007/0144363 A1 *	6/2007	Carroll et al.	101/35
2009/0277940 A1 *	11/2009	Cook	224/576
2011/0206850 A1 *	8/2011	Smith	427/282

* cited by examiner

Primary Examiner — Mitchell Siegel

(74) *Attorney, Agent, or Firm* — Nancy J. Flint, Esq.; Nancy J. Flint, Attorney at Law, P.A.

(57) **CLAIM**

The ornamental design for a personal golf ball marker, as shown and described.

DESCRIPTION

FIG. 1 is a front perspective view of a personal golf ball marker in its closed and unlocked position showing our new design;

FIG. 2 is a top plan view thereof;

FIG. 3 is a bottom plan view thereof;

FIG. 4 rear elevational view thereof;

FIG. 5 is a front elevational view thereof;

FIG. 6 is a left side elevational view thereof;

FIG. 7 is a front elevational view of the personal golf ball marker in its closed and locked position thereof;

FIG. 8 is a left side elevational view of FIG. 7;

FIG. 9 is a top plan view of FIG. 7;

FIG. 10 is a bottom plan view of FIG. 7;

FIG. 11 is a front perspective view personal golf ball marker in an open position;

FIG. 12 is a top plan view of FIG. 11;

FIG. 13 is a bottom plan view of FIG. 11;

FIG. 14 is a rear elevational view of FIG. 11;

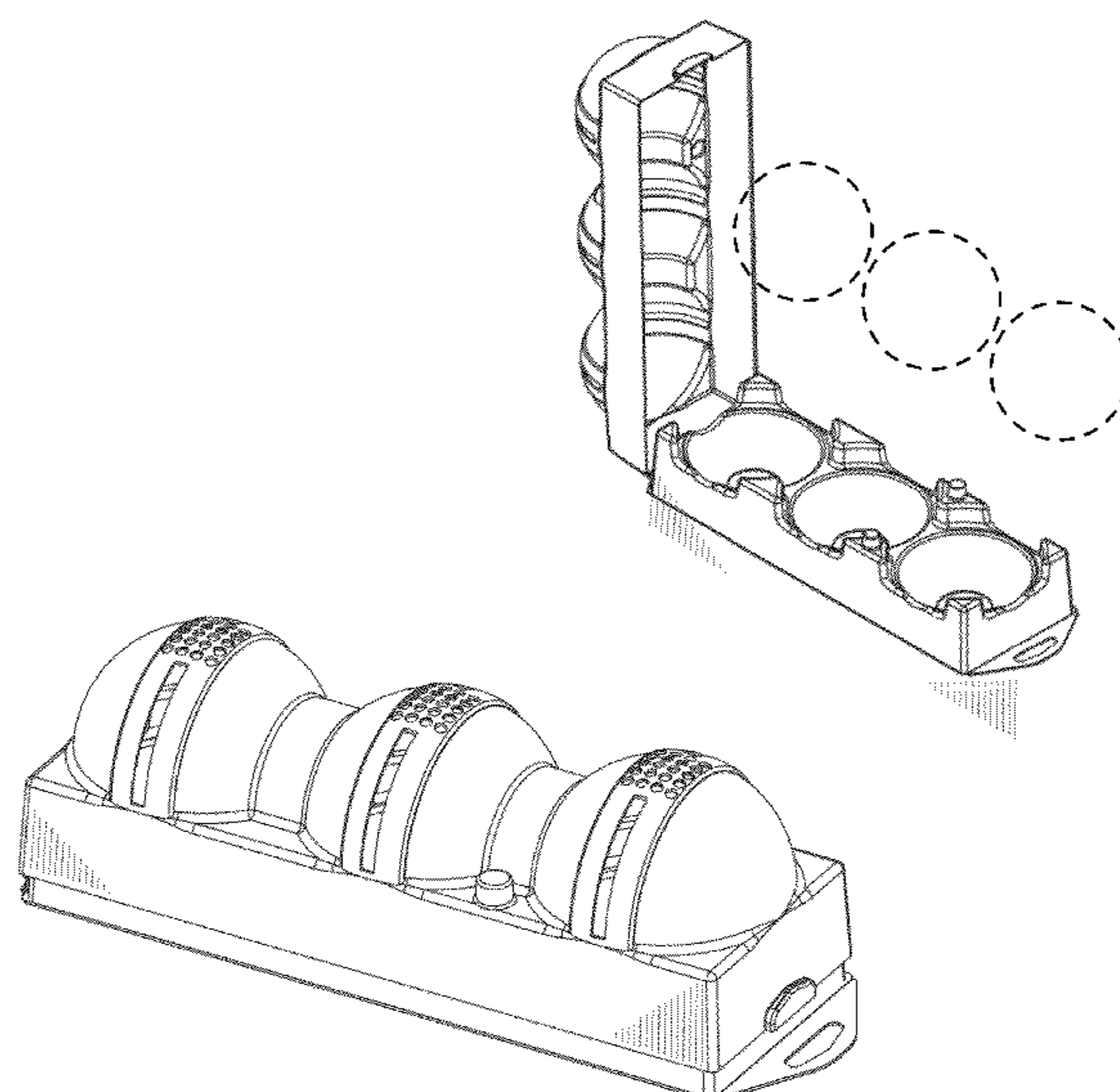
FIG. 15 is a front elevational view of FIG. 11; and,

FIG. 16 is a left side elevational view of FIG. 11.

Right side views not shown are mirror images of left side views. Any broken lines illustrative of environmental structure in the drawings are not part of the design sought to be patented.

The broken line showing three golf balls is included for the purpose of illustrating and forms no part of the claimed design.

1 Claim, 16 Drawing Sheets



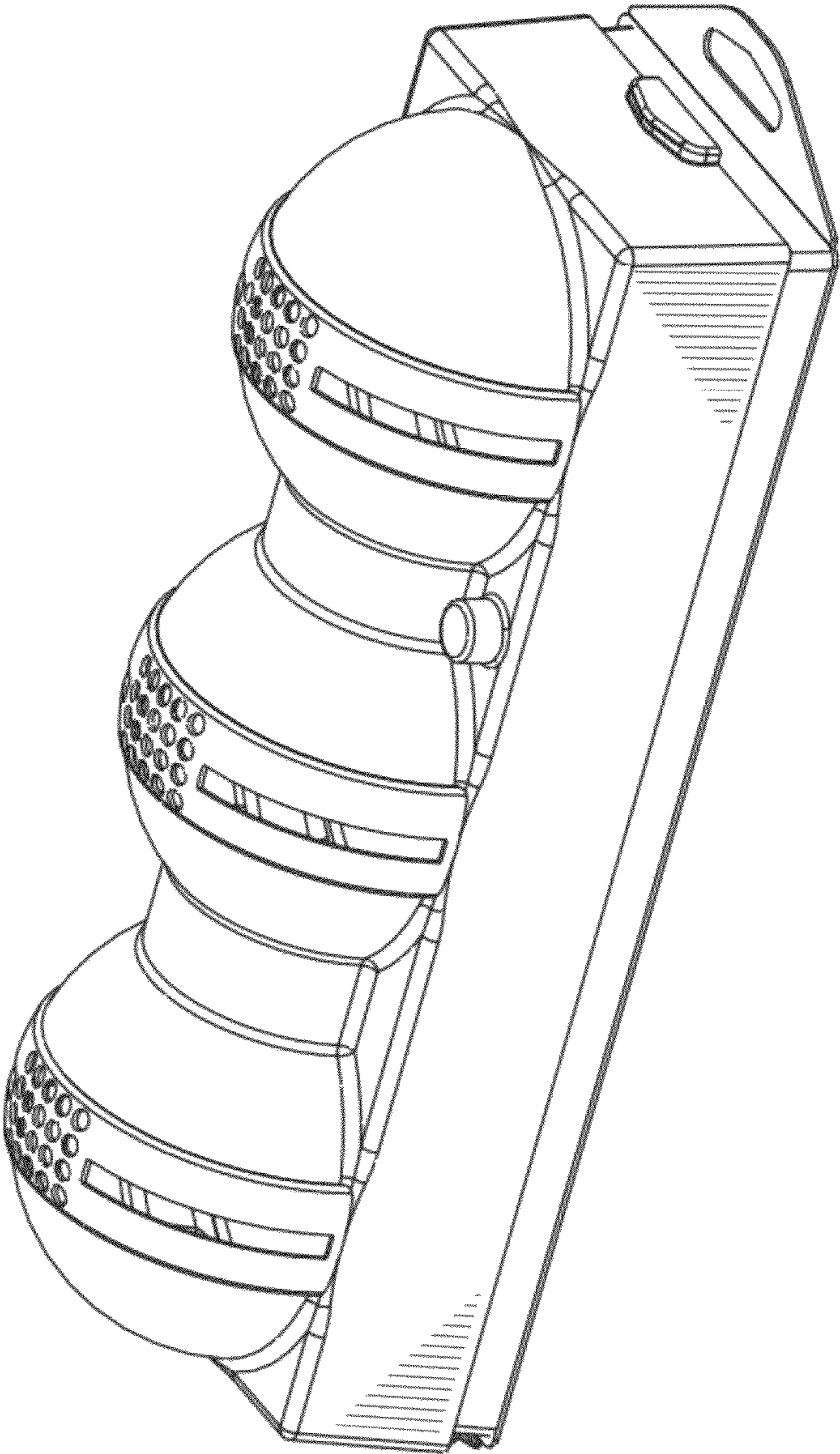


Fig. 1

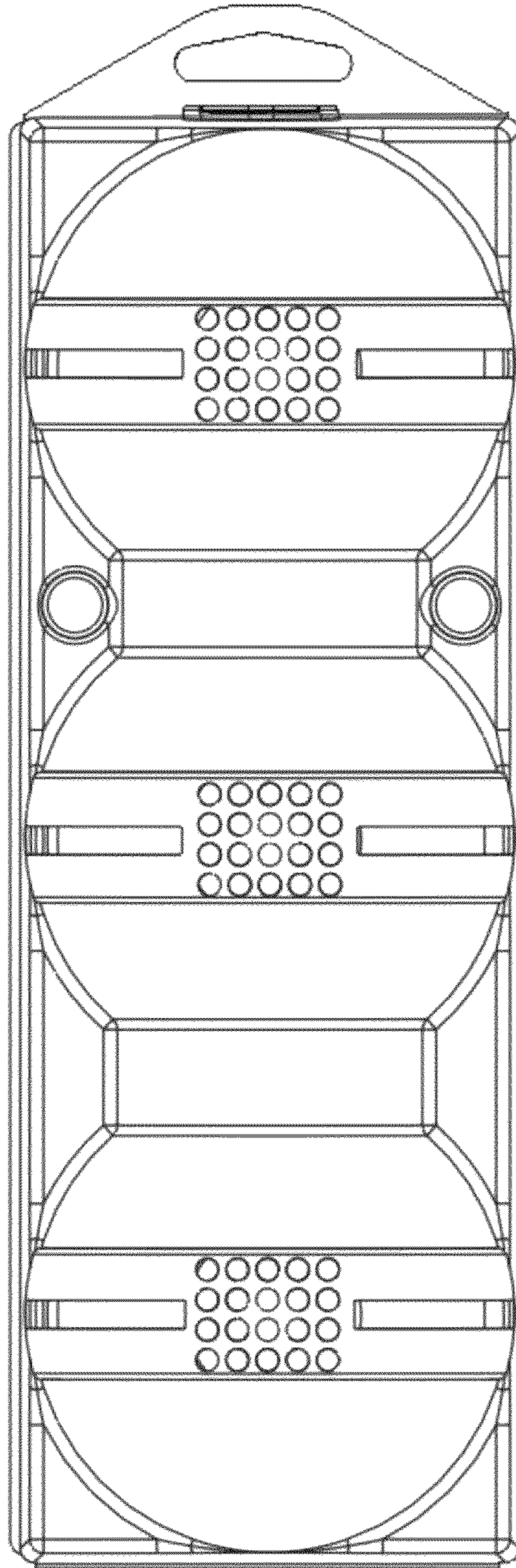


Fig. 2

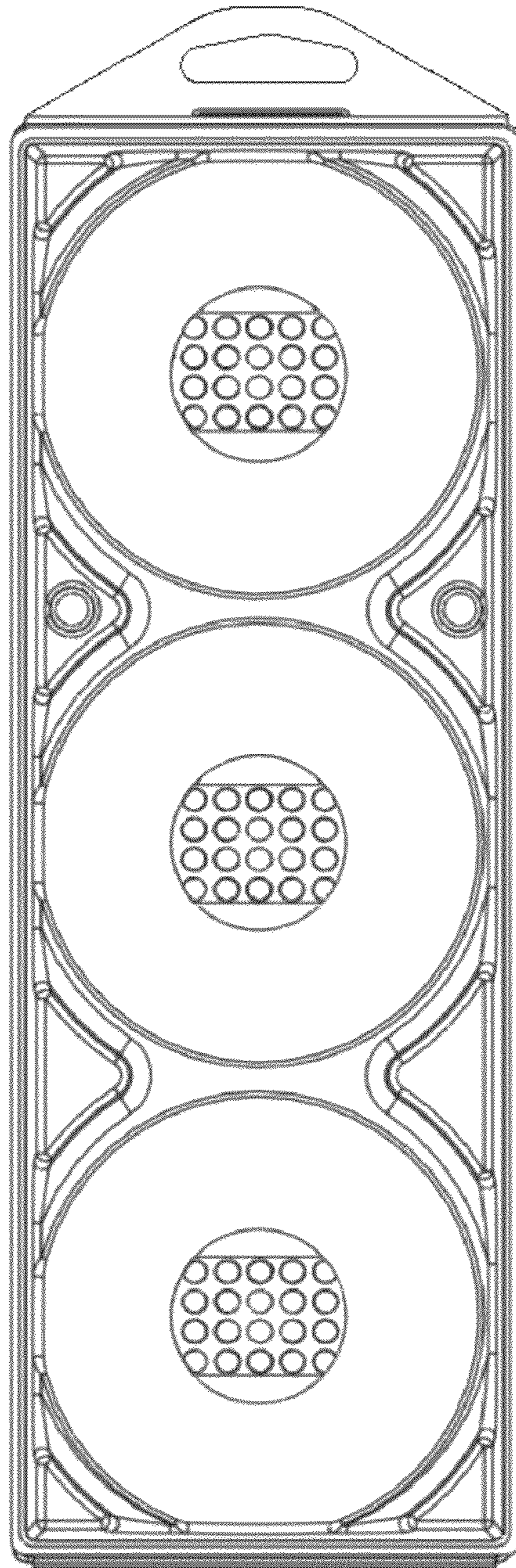


Fig. 3

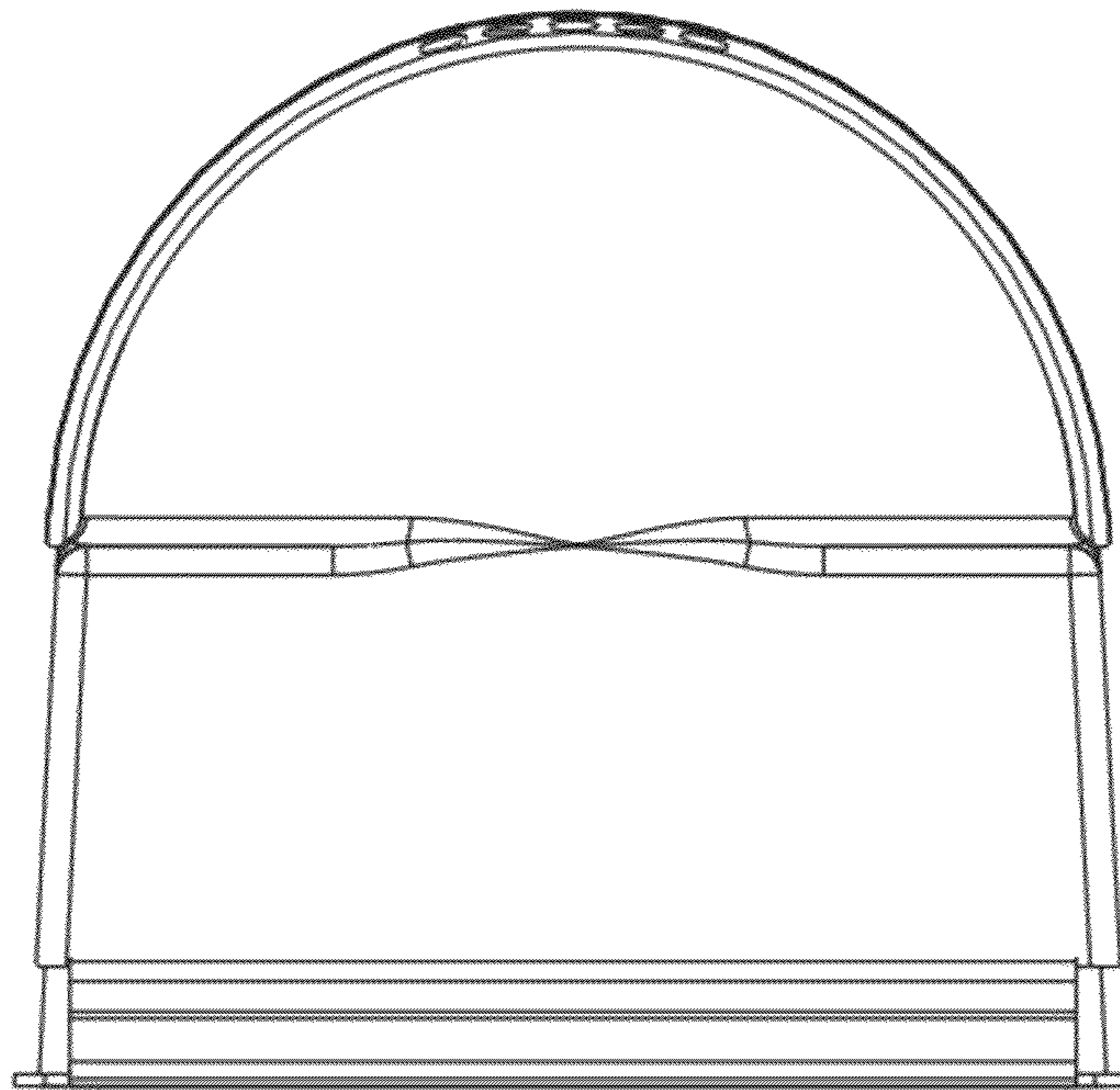


Fig. 4

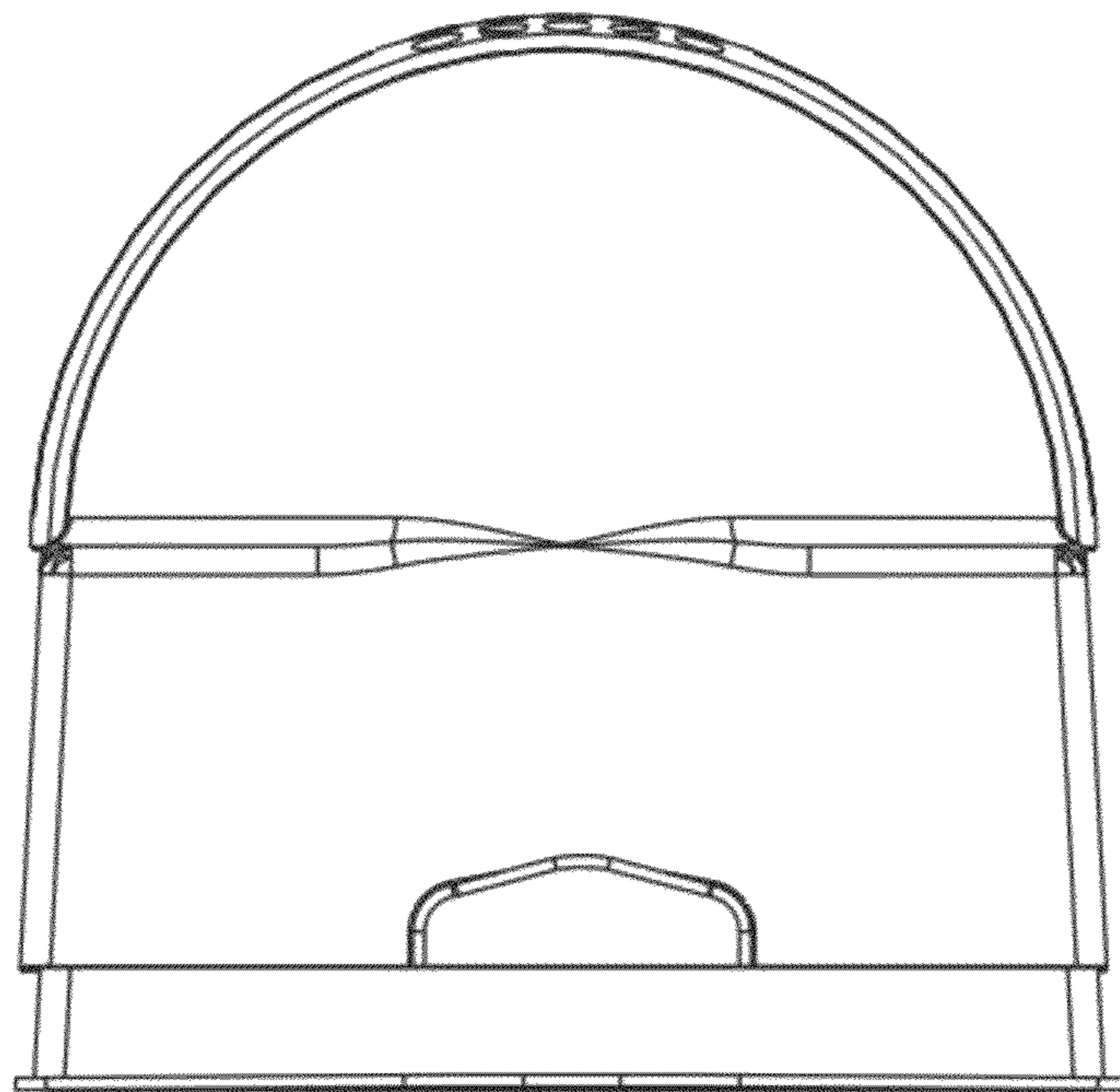


Fig. 5

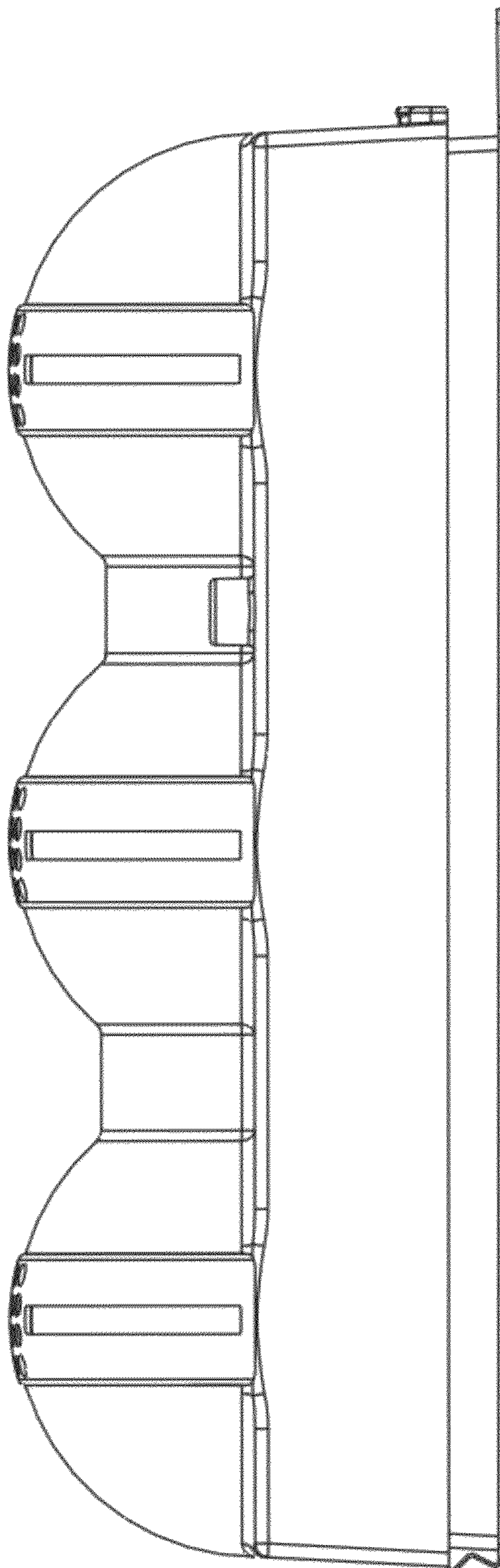


Fig. 6

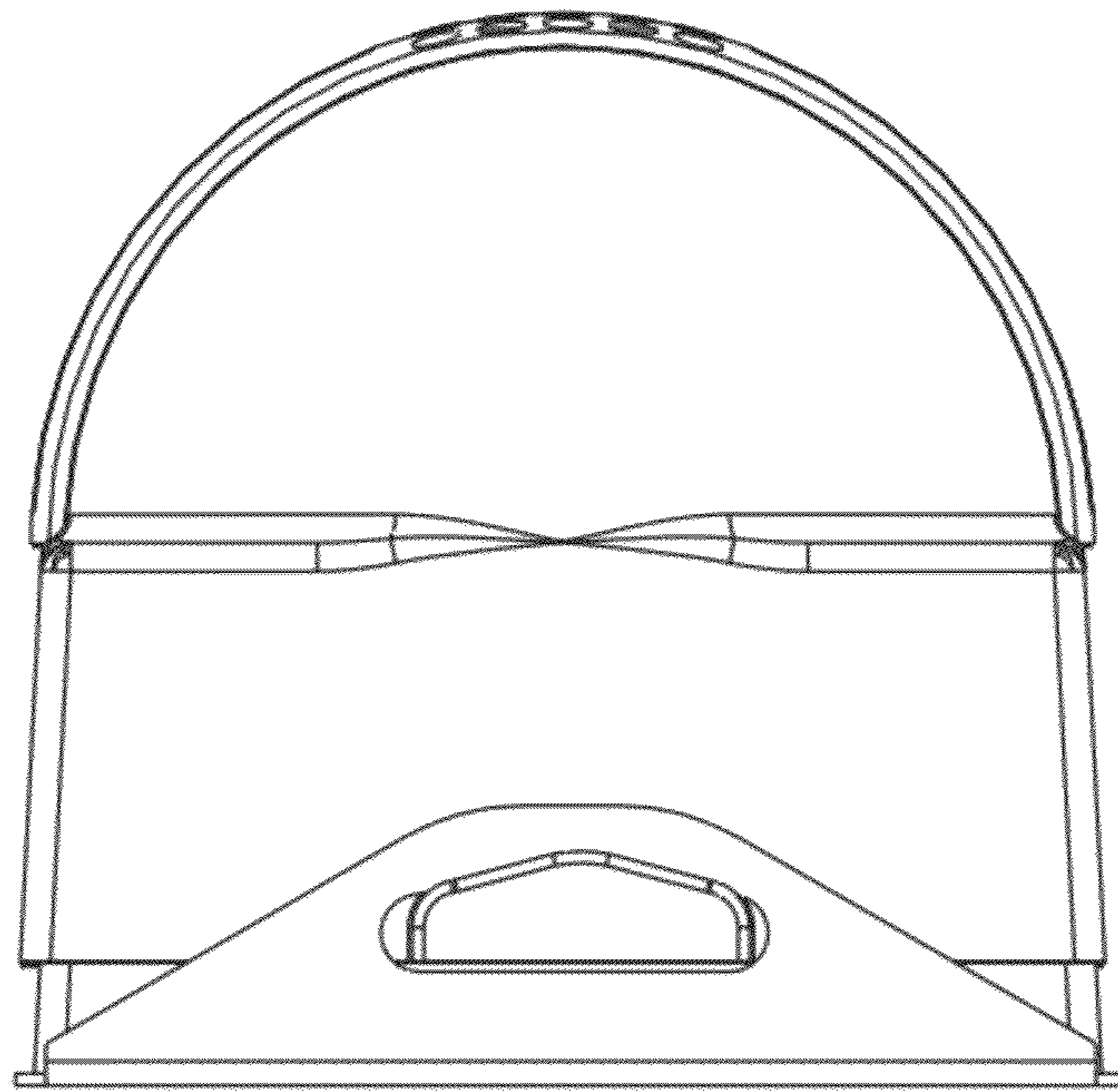


Fig. 7

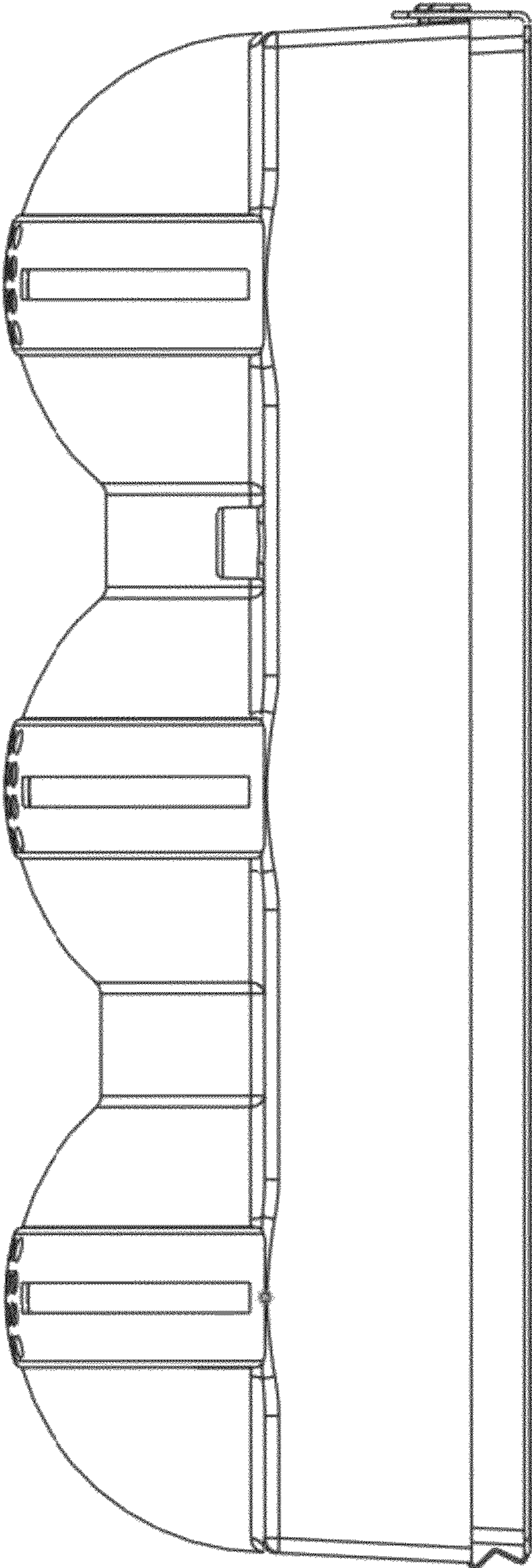


Fig. 8

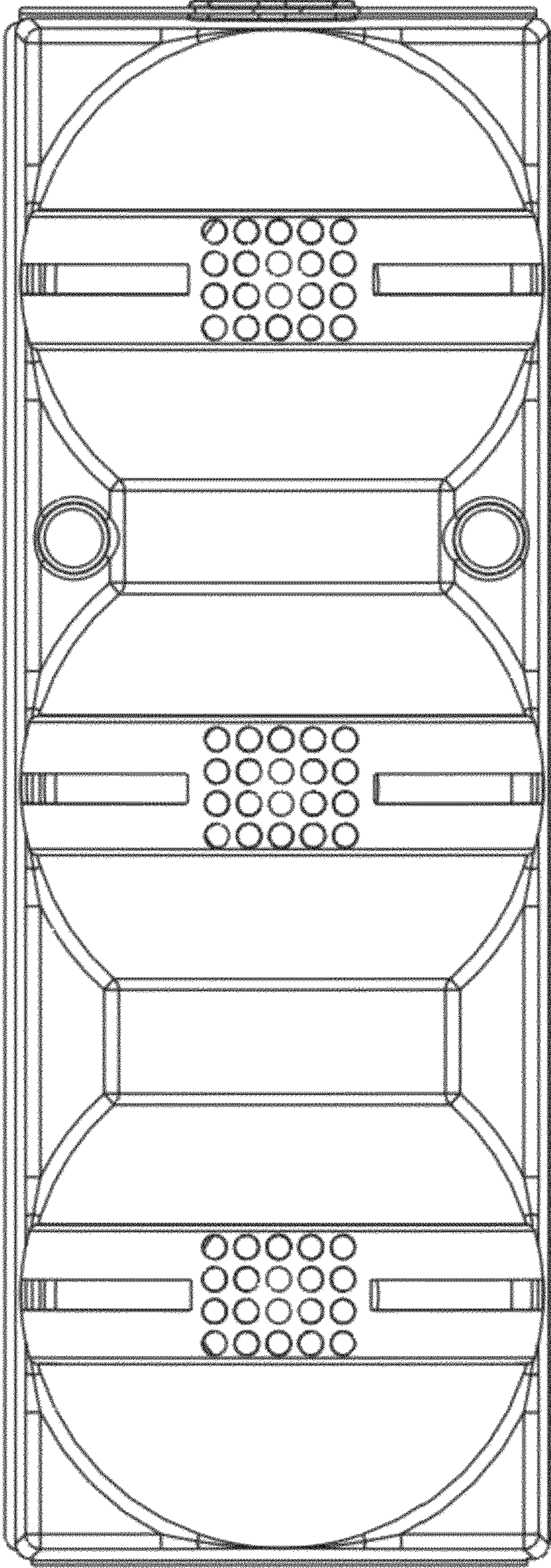


Fig. 9

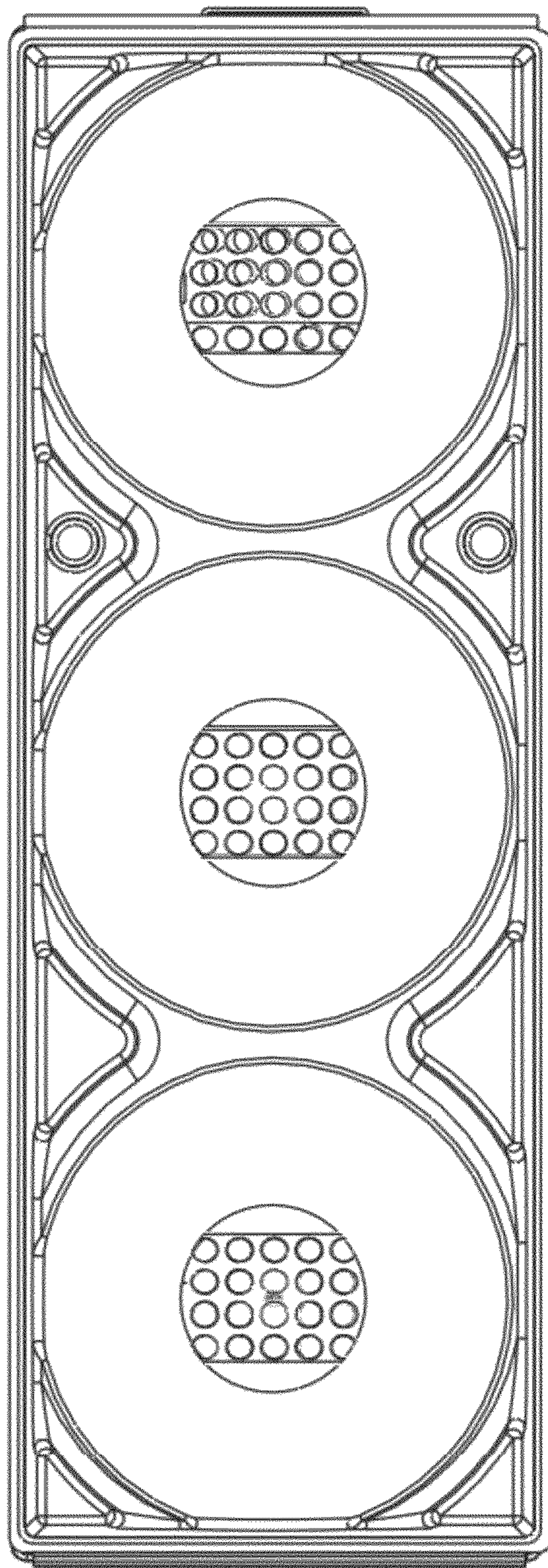


Fig. 10

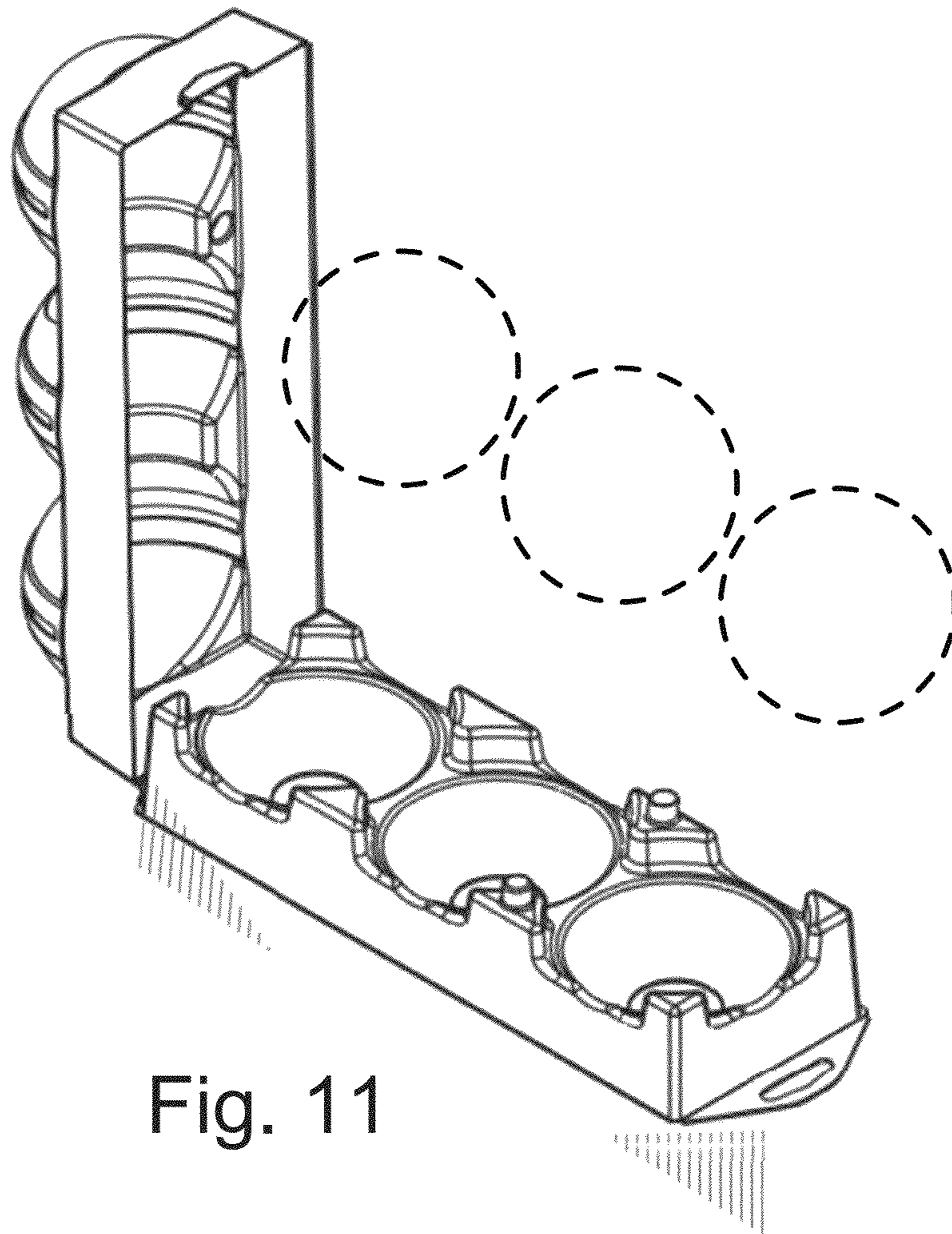


Fig. 11

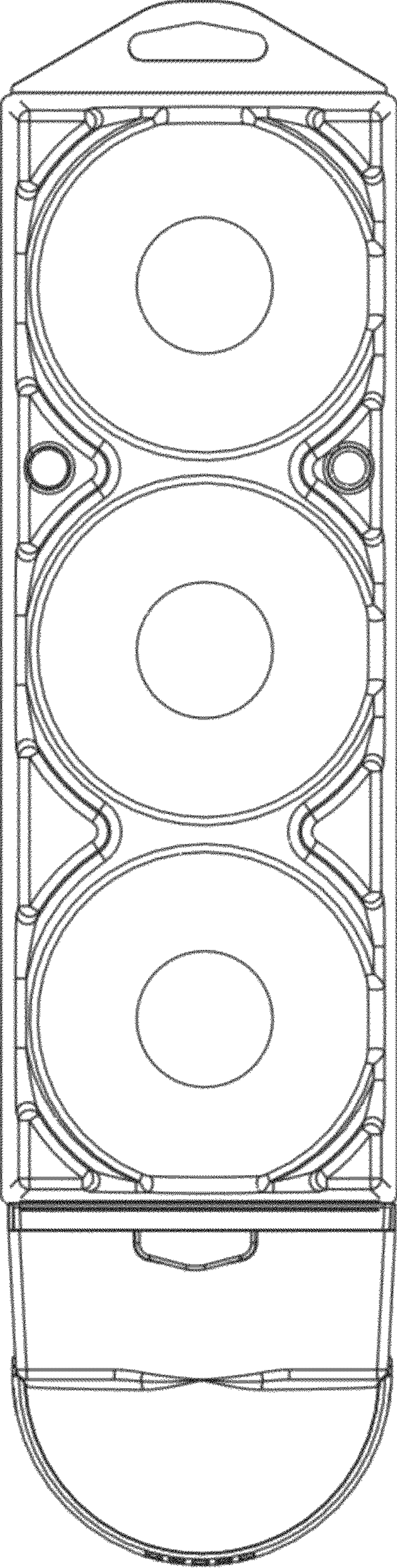


Fig. 12

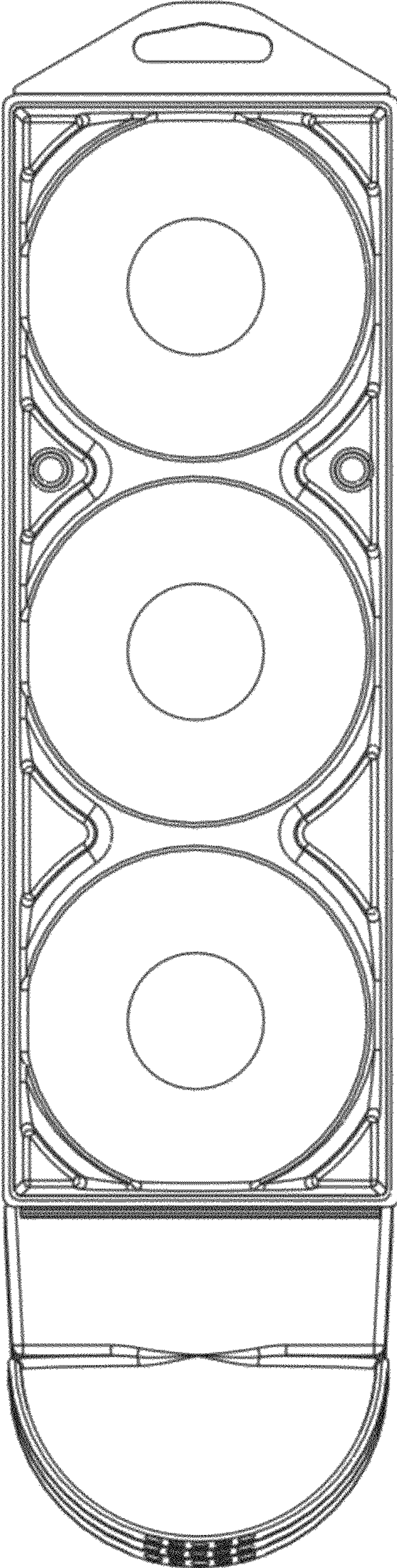


Fig. 13

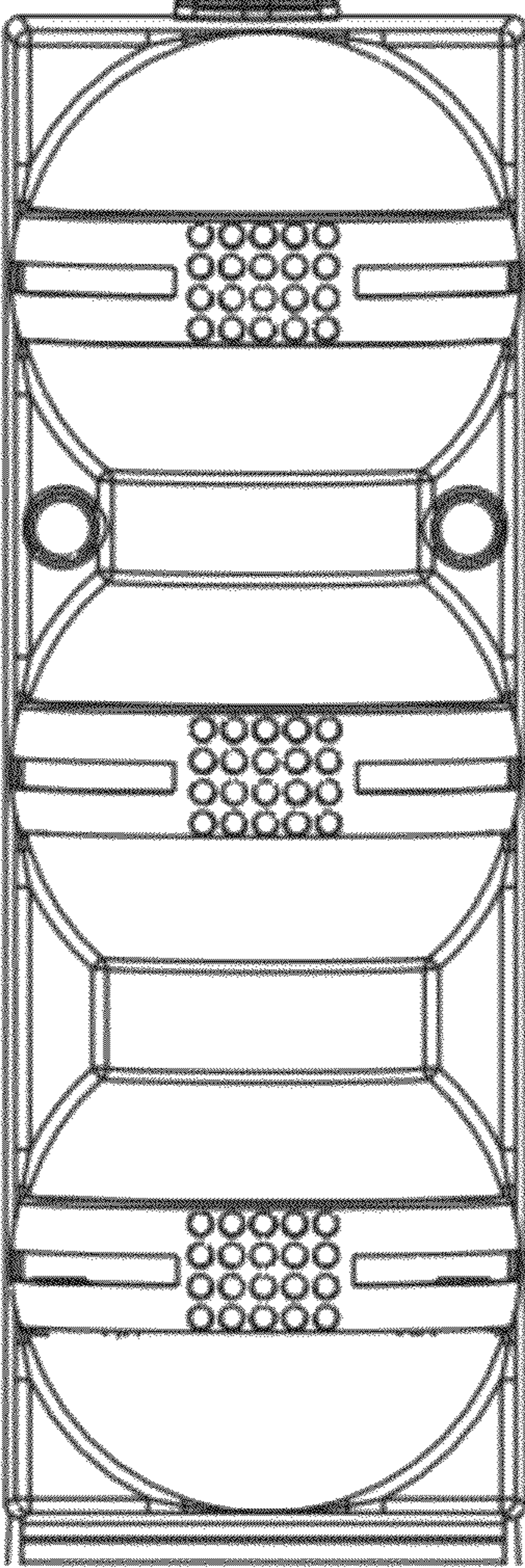


Fig. 14

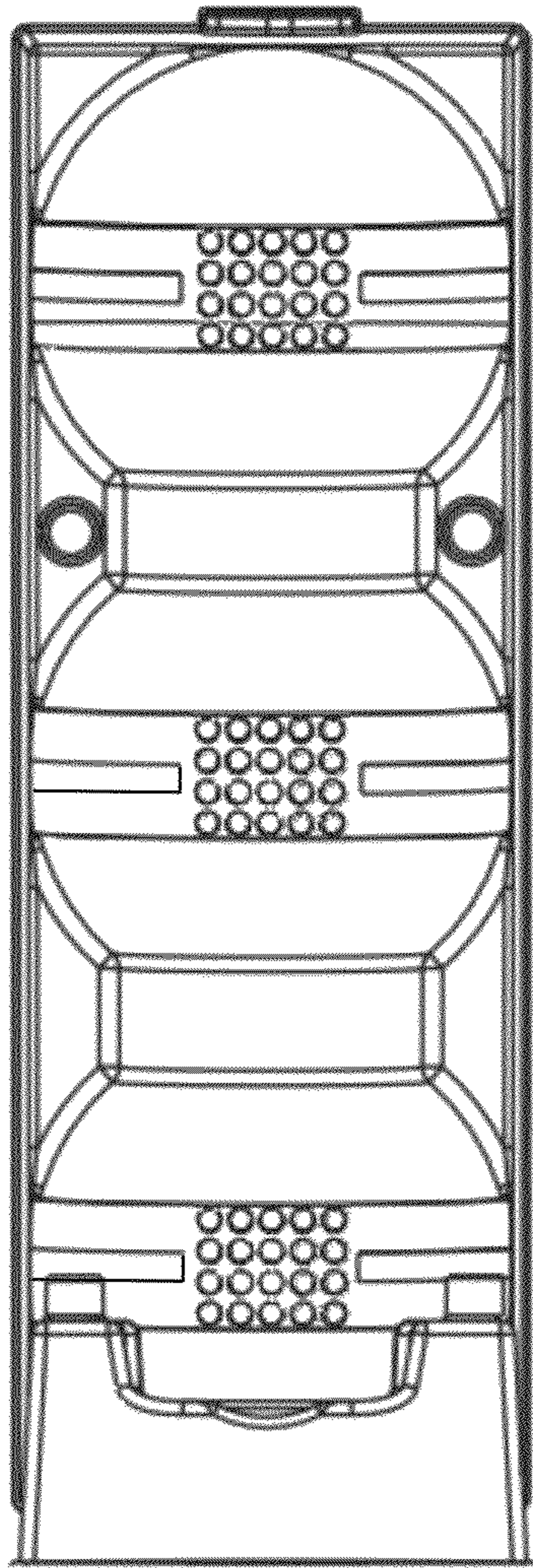


Fig. 15

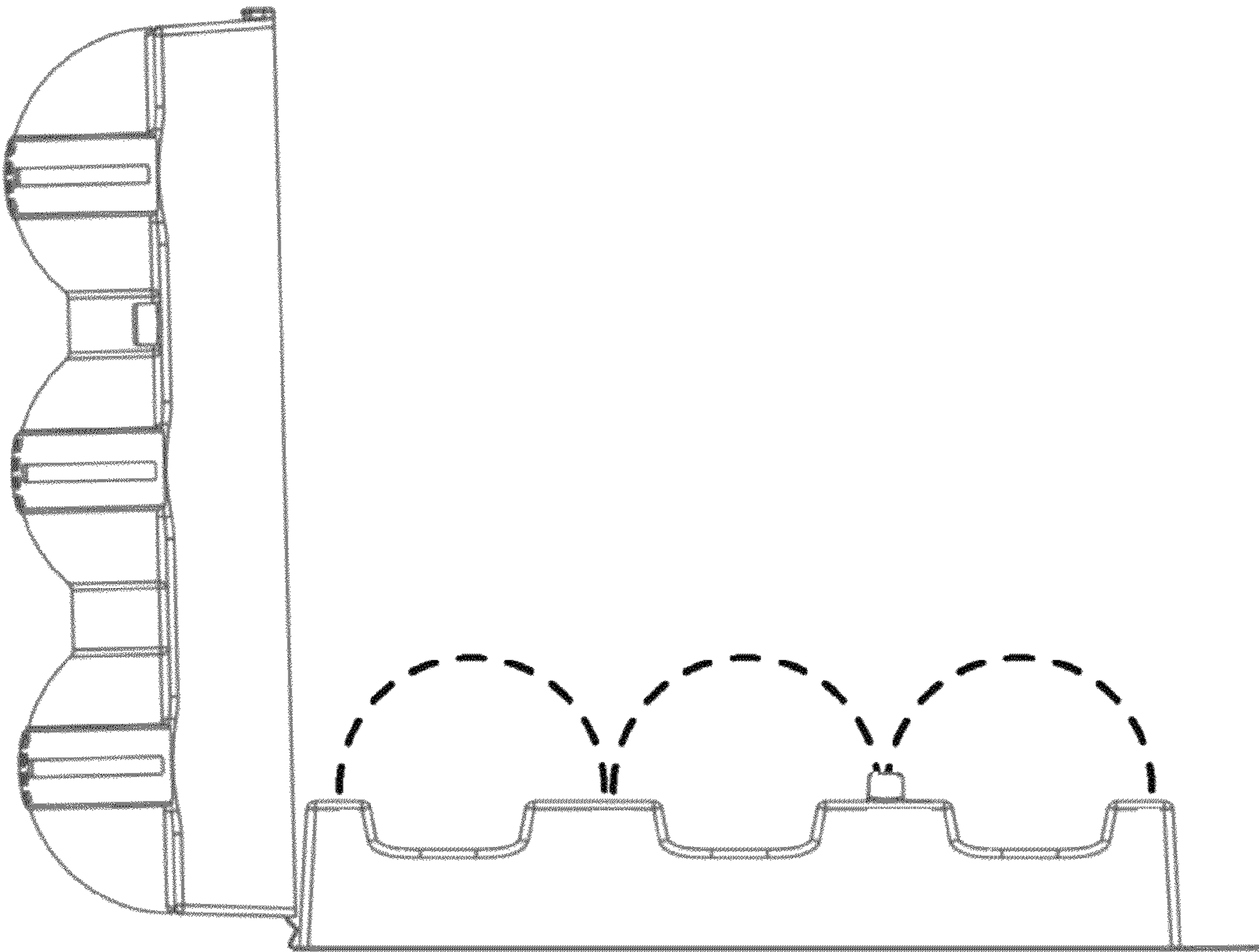


Fig. 16