



US00D724682S

(12) **United States Design Patent**
McPhail et al.

(10) **Patent No.:** **US D724,682 S**
(45) **Date of Patent:** **** Mar. 17, 2015**

(54) **LACROSSE HEAD**

(71) Applicant: **Warrior Sports, Inc.**, Warren, MI (US)

(72) Inventors: **Matthew W. McPhail**, Royal Oak, MI (US); **Richard J. Janisse**, Ontario (CA)

(73) Assignee: **Warrior Sports, Inc.**, Warren, MI (US)

(**) Term: **14 Years**

(21) Appl. No.: **29/481,082**

(22) Filed: **Jan. 31, 2014**

(51) **LOC (10) Cl.** **21-02**

(52) **U.S. Cl.**
USPC **D21/724**

(58) **Field of Classification Search**
CPC A63B 59/02
USPC D21/724; 473/505-515
See application file for complete search history.

(56) **References Cited**

U.S. PATENT DOCUMENTS

D273,601 S *	4/1984	Lewis et al.	D21/724
D277,691 S *	2/1985	Rule	D21/724
D496,083 S *	9/2004	Kohler	D21/753
D499,780 S *	12/2004	Kohler	D21/753
7,214,151 B1 *	5/2007	Gait	473/513
D598,508 S *	8/2009	Schmidt	D21/724
D598,509 S *	8/2009	Winningham	D21/724
D599,420 S *	9/2009	Winningham	D21/724
D599,866 S *	9/2009	Winningham	D21/724
D601,646 S *	10/2009	Schmidt	D21/724
D601,647 S *	10/2009	Winningham	D21/724
D611,552 S *	3/2010	Morrow et al.	D21/724
7,749,113 B2 *	7/2010	Morrow et al.	473/513
7,766,773 B1 *	8/2010	Gait	473/513
D642,641 S *	8/2011	Winningham et al.	D21/753
D644,282 S *	8/2011	Schmidt	D21/724
8,109,846 B2 *	2/2012	Schmidt	473/513
8,235,846 B2 *	8/2012	Winningham et al.	473/513
D670,347 S *	11/2012	Goudy et al.	D21/753

OTHER PUBLICATIONS

Brine Mantra, downloaded on Jan. 13, 2014 from http://www.sportstop.com/Brine-Mantra-Complete-Womens-Lacrosse-Stick?partner=catch&zmm=95871589&zmas=1&zmac=47&zmap=BRINE10WSTMAN0%20:%20BRINE10WSTMANO-WHH/LMTXP/CCA6G&utm_source=CatchPages&utm_medium=cpa&utm_campaign=CatchPages.

(Continued)

Primary Examiner — Mitchell Siegel

(74) *Attorney, Agent, or Firm* — Warner Norcross & Judd LLP

(57) **CLAIM**

The ornamental design for lacrosse head, as shown and described.

DESCRIPTION

FIG. 1 is an upper perspective view of the lacrosse head embodying the new design;

FIG. 2 is a right side view thereof, the left side view being a mirror image thereof;

FIG. 3 is a close-up view of area III of FIG. 1;

FIG. 4 is a close-up view of area IV of FIG. 2;

FIG. 5 is a top view thereof;

FIG. 6 is a bottom view thereof;

FIG. 7 is a front view thereof; and,

FIG. 8 is a rear view thereof.

FIGS. 1-8 show features of a lacrosse head in phantom lines. These features are shown for environmental purposes and do not form any part of the claimed design. The phantom lines immediately adjacent the solid-line portions of the design form the boundary of the design, with the phantom lines forming no part of the claimed design. The stipple shaded portions of the lacrosse head are the claimed design.

1 Claim, 5 Drawing Sheets



(56)

References Cited

OTHER PUBLICATIONS

Brine Mantra 2, downloaded on Jan. 13, 2014 from http://www.lacrossemonkey.com/lacrosse-brine-head-mantra-2-women.html?utm_source=google&utm_medium=shopping%2Bengine&utm_campaign=GOOGLE_PRODUCT_SEARCH&utm_content=lacrosse-brine-head-mantra-2-women&gclid=CPXTzqyP-bsCFew7MgodrzwA3w.

Brine Amonte, downloaded on Jan. 13, 2014 from <http://www.lacrossemonkey.com/brine-lacrosse-heads-amonte-strung.html>.

Brine Amonte 2, downloaded on Jan. 13, 2014 from <http://www.sportstop.com/Standard/Brine-Amonte-2-Womens-Lacrosse-Head>.

Brine A1, downloaded on Jan. 13, 2014 from <http://brine.com/product/a1/>.

Brine Quantum SL downloaded on Jan. 13, 2014 from <http://brine.com/product/quantum-superlight/>.

Brine Epic 2, laxworld.com catalog, 2011, p. 17.

Brine Empress downloaded on Jan. 13, 2014 from <http://brine.com/product/empress/>.

Brine Pixie II downloaded on Jan. 13, 2014 from <http://brine.com/product/pixie-ii/>.

Brine Allure, laxworld.com catalog, 2011, p. 17.

Brine Mynx 2 downloaded on Jan. 13, 2014 from <http://brine.com/product/mynx/>.

* cited by examiner

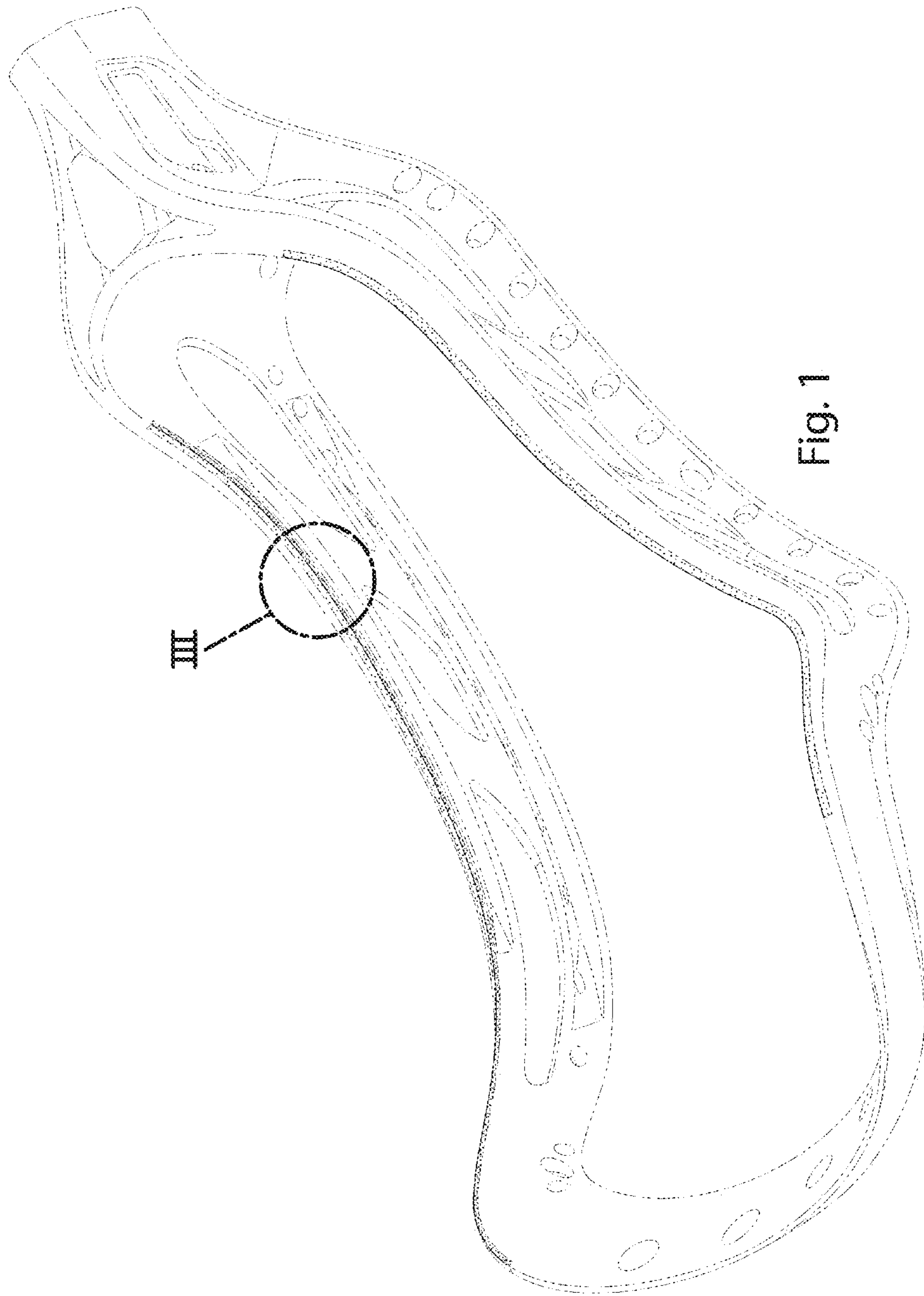


Fig. 1

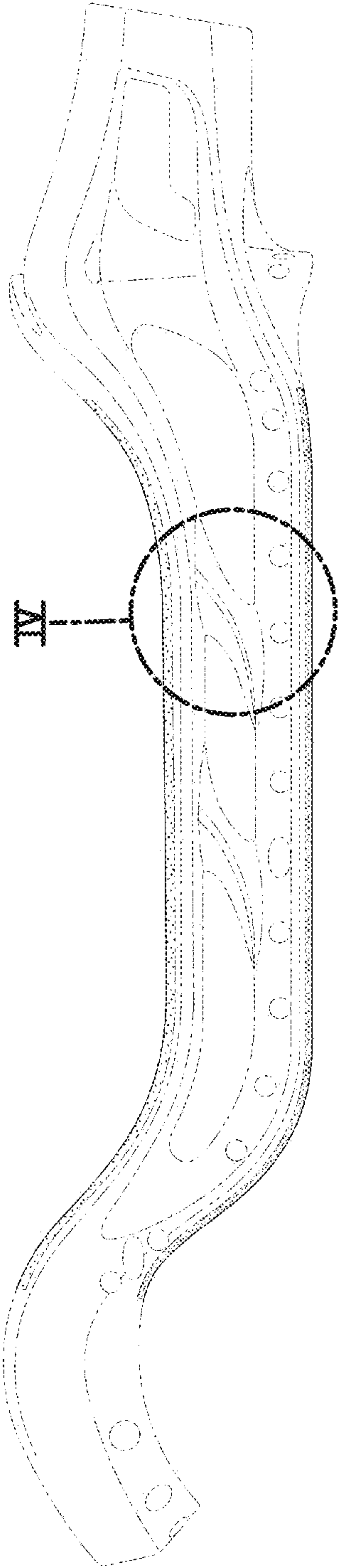


Fig. 2

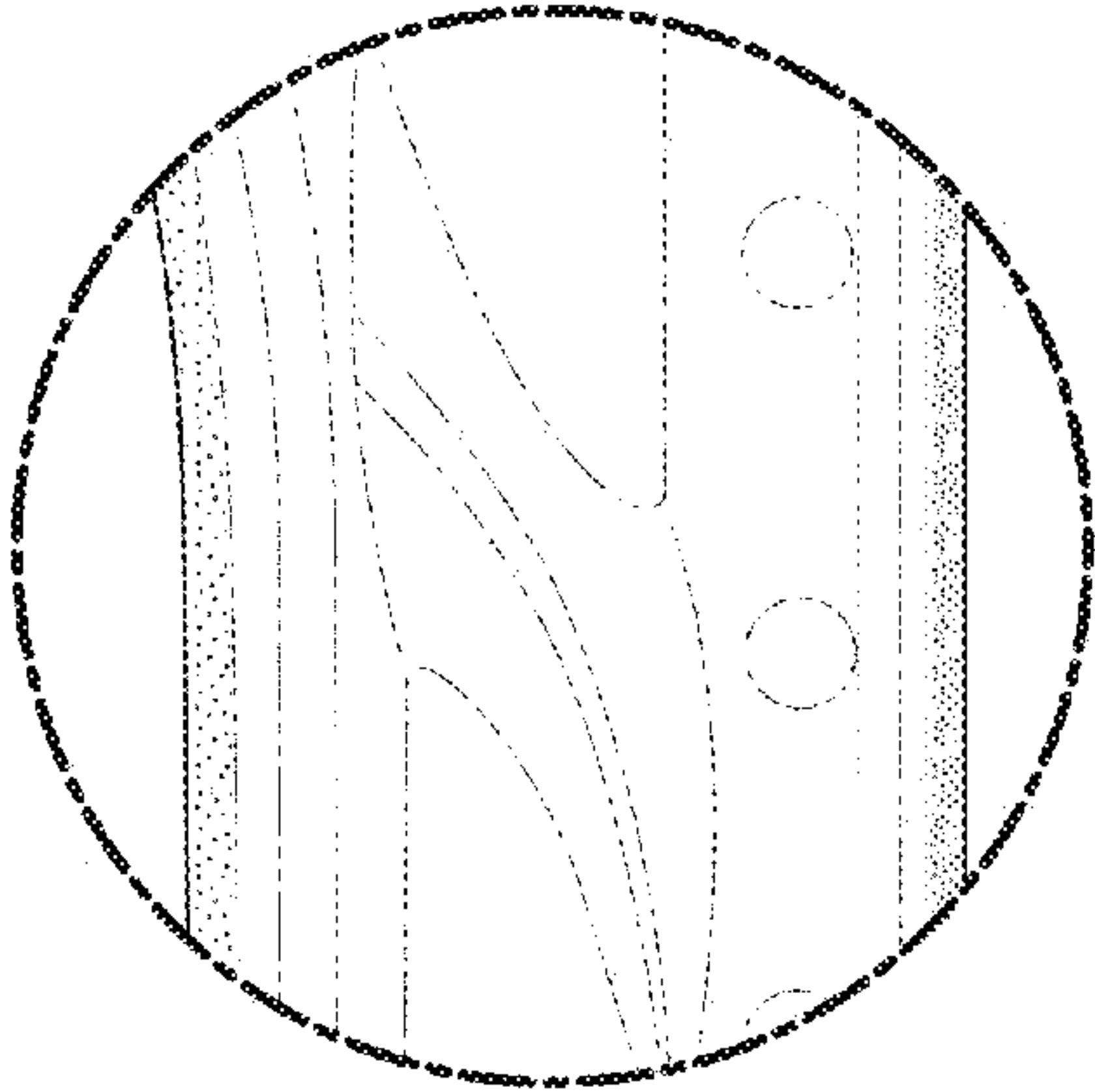


Fig. 4

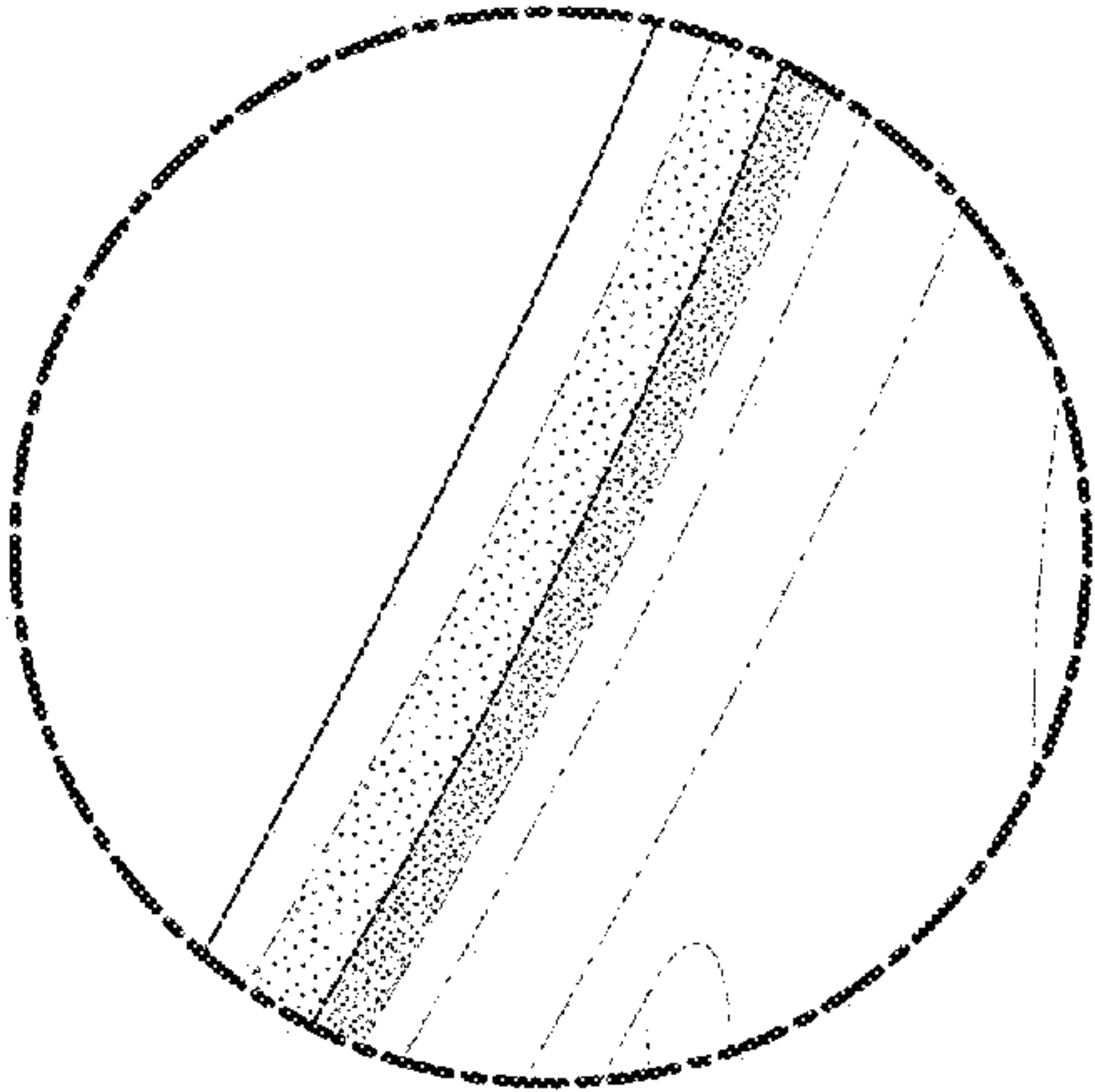


Fig. 3

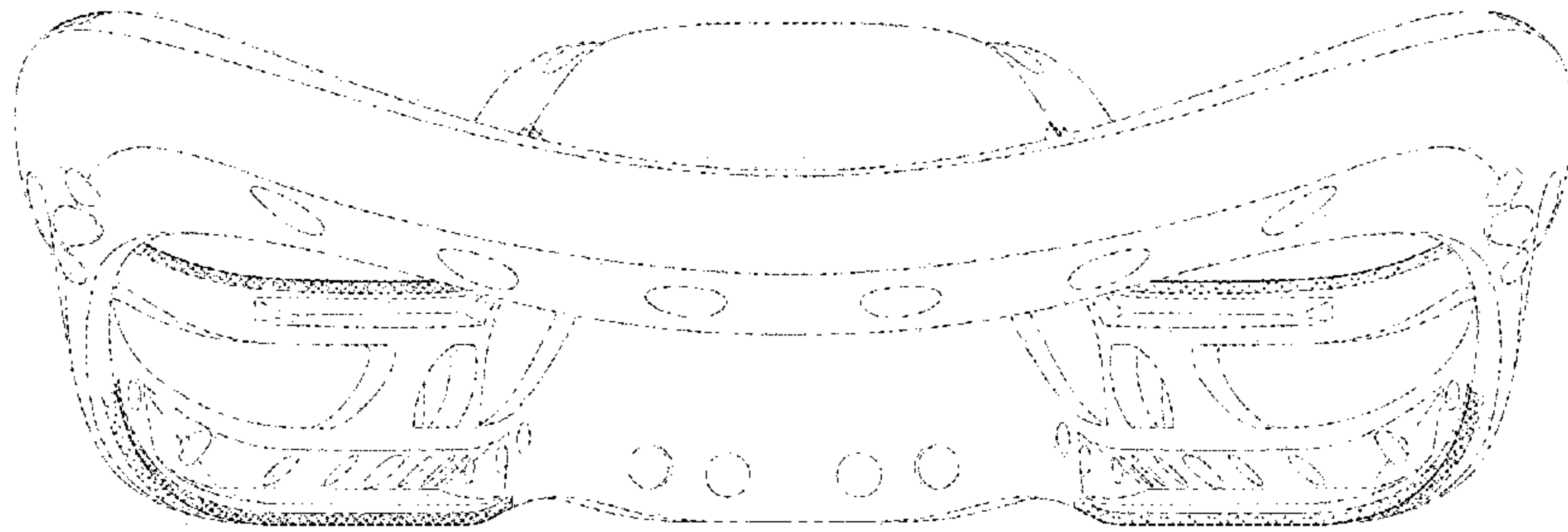


Fig. 5

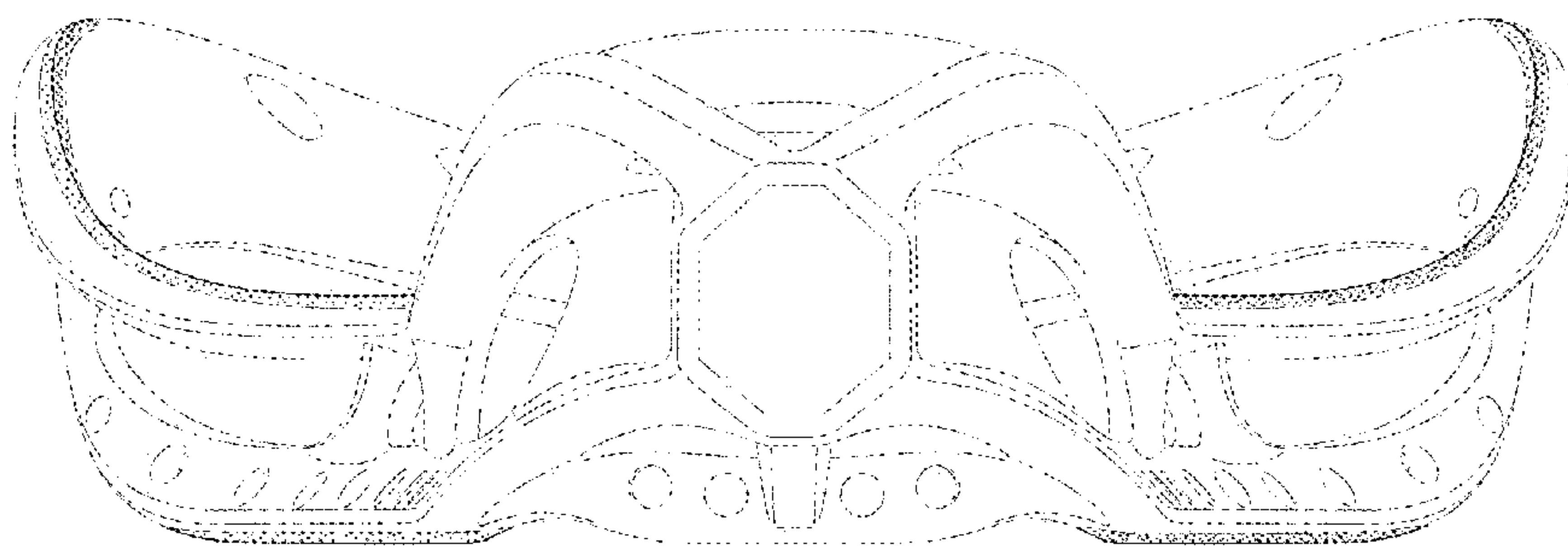


Fig. 6

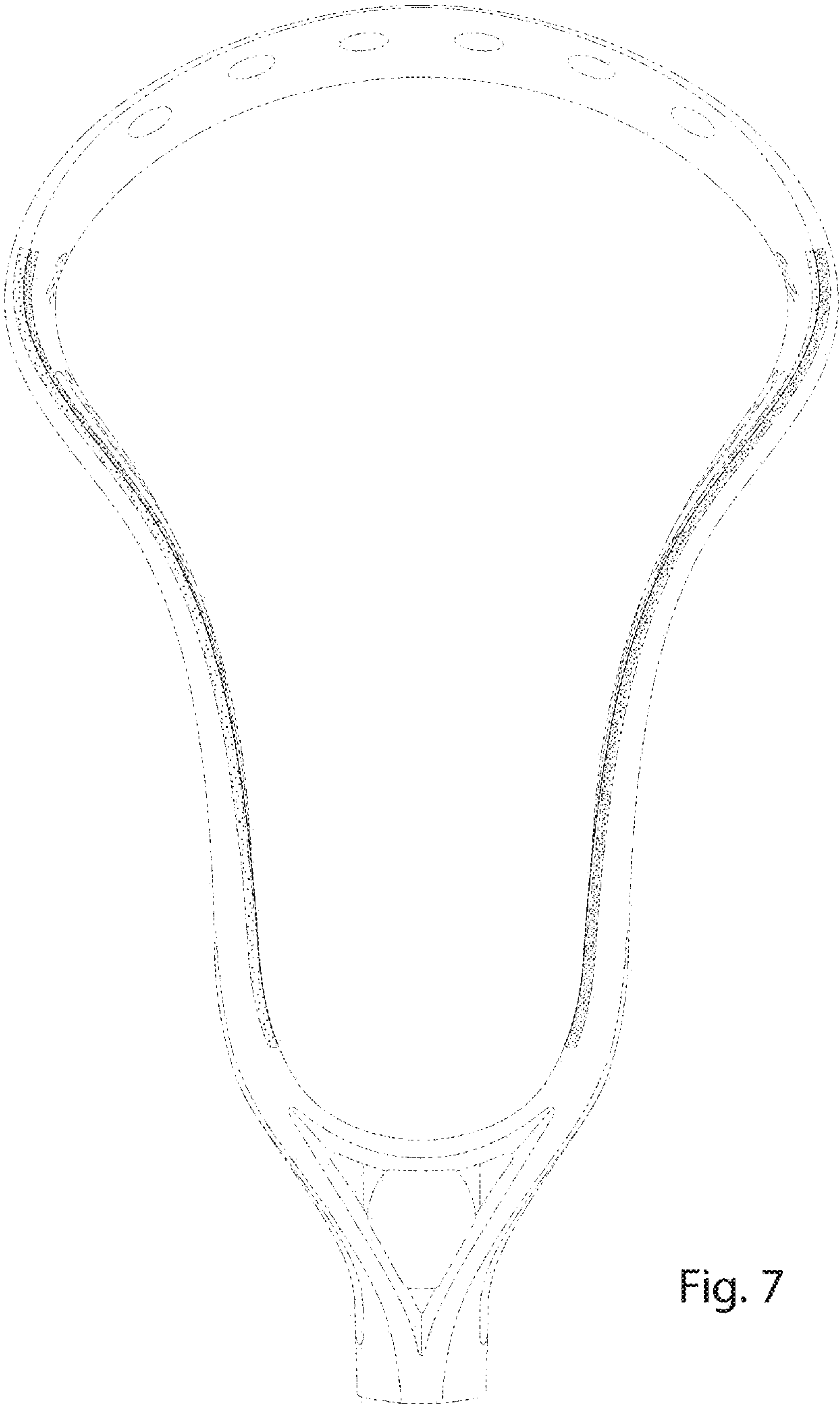


Fig. 7

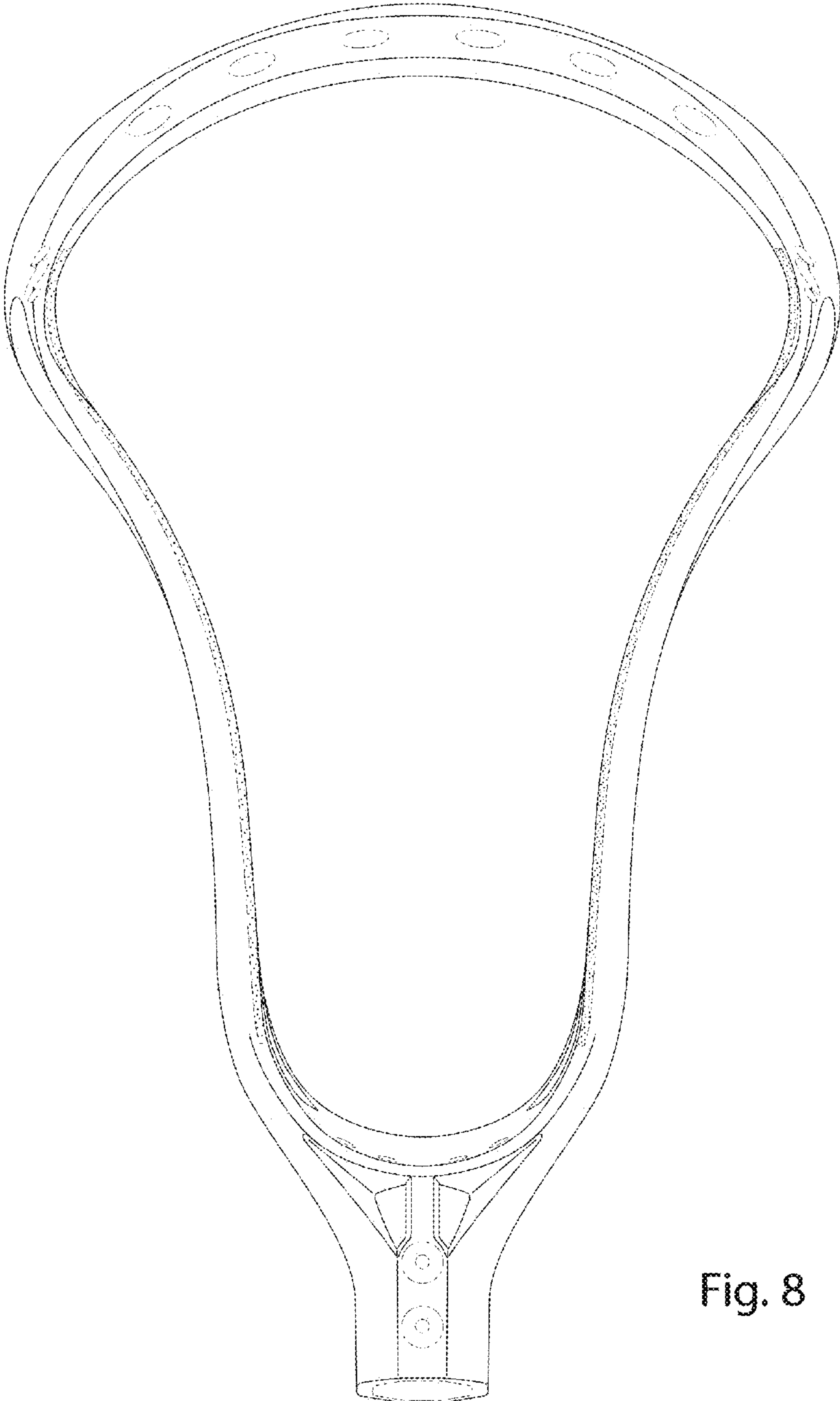


Fig. 8