



US00D724678S

(12) **United States Design Patent**
Miller, Jr.

(10) **Patent No.:** **US D724,678 S**
(45) **Date of Patent:** **** Mar. 17, 2015**

- (54) **EXERCISE APPARATUS**
- (71) Applicant: **Elwood Bernard Miller, Jr.**, National City, CA (US)
- (72) Inventor: **Elwood Bernard Miller, Jr.**, National City, CA (US)
- (**) Term: **14 Years**
- (21) Appl. No.: **29/478,209**
- (22) Filed: **Jan. 2, 2014**
- (51) **LOC (10) Cl.** **21-02**
- (52) **U.S. Cl.**
USPC **D21/691**
- (58) **Field of Classification Search**
USPC 482/142, 122, 115, 108, 145, 140, 105, 482/111, 123, 121, 126, 144, 143, 148, 106, 482/130, 129, 132, 96, 131, 133, 124, 110, 482/127, 72, 147, 51, 71, 139, 97, 92, 137, 482/98, 1, 907, 95, 112; 206/315.1, 45.2; D21/687, 662, 690, 676, 423, 691; 273/449; 472/103; 297/259.1, 16.1, 297/175, 445.1, 353; 446/482; 607/48, 149, 607/77, 148; 140/121, 122, 123, 124, 90; 601/24; D24/190; D6/601
See application file for complete search history.

7,108,642	B1 *	9/2006	Stearns	482/140
D567,312	S *	4/2008	Tsai	D21/688
7,381,159	B2 *	6/2008	Ho	482/52
D584,367	S *	1/2009	Augustine et al.	D21/662
7,556,592	B2	7/2009	Nizam		
7,559,881	B1	7/2009	Roraff		
7,569,003	B1	8/2009	Huffman		
7,569,005	B2 *	8/2009	Geeting	482/121
D612,000	S *	3/2010	Campanaro et al.	D21/687
7,691,041	B2 *	4/2010	Abdo	482/142
7,938,763	B2 *	5/2011	Campanaro et al.	482/140
8,033,970	B2 *	10/2011	Campanaro et al.	482/142
8,075,457	B2 *	12/2011	Campanaro et al.	482/96
D671,177	S *	11/2012	Sip	D21/689
D671,178	S *	11/2012	Sip	D21/689
8,323,160	B2 *	12/2012	Splane	482/147
8,814,763	B2 *	8/2014	Ho et al.	482/96
8,870,726	B2 *	10/2014	Watterson et al.	482/140
2012/0225759	A1 *	9/2012	Tsai	482/131
2013/0123083	A1 *	5/2013	Sip	482/145
2014/0005007	A1 *	1/2014	Ho et al.	482/96
2014/0066275	A1	3/2014	Miller, Jr.		
2014/0100091	A1 *	4/2014	Ho et al.	482/142

* cited by examiner

Primary Examiner — Robert M Spear
Assistant Examiner — Ryan Harvey
(74) *Attorney, Agent, or Firm* — Greer, Burns & Crain, Ltd.

(57) **CLAIM**
The ornamental design for an exercise apparatus, as shown and described.

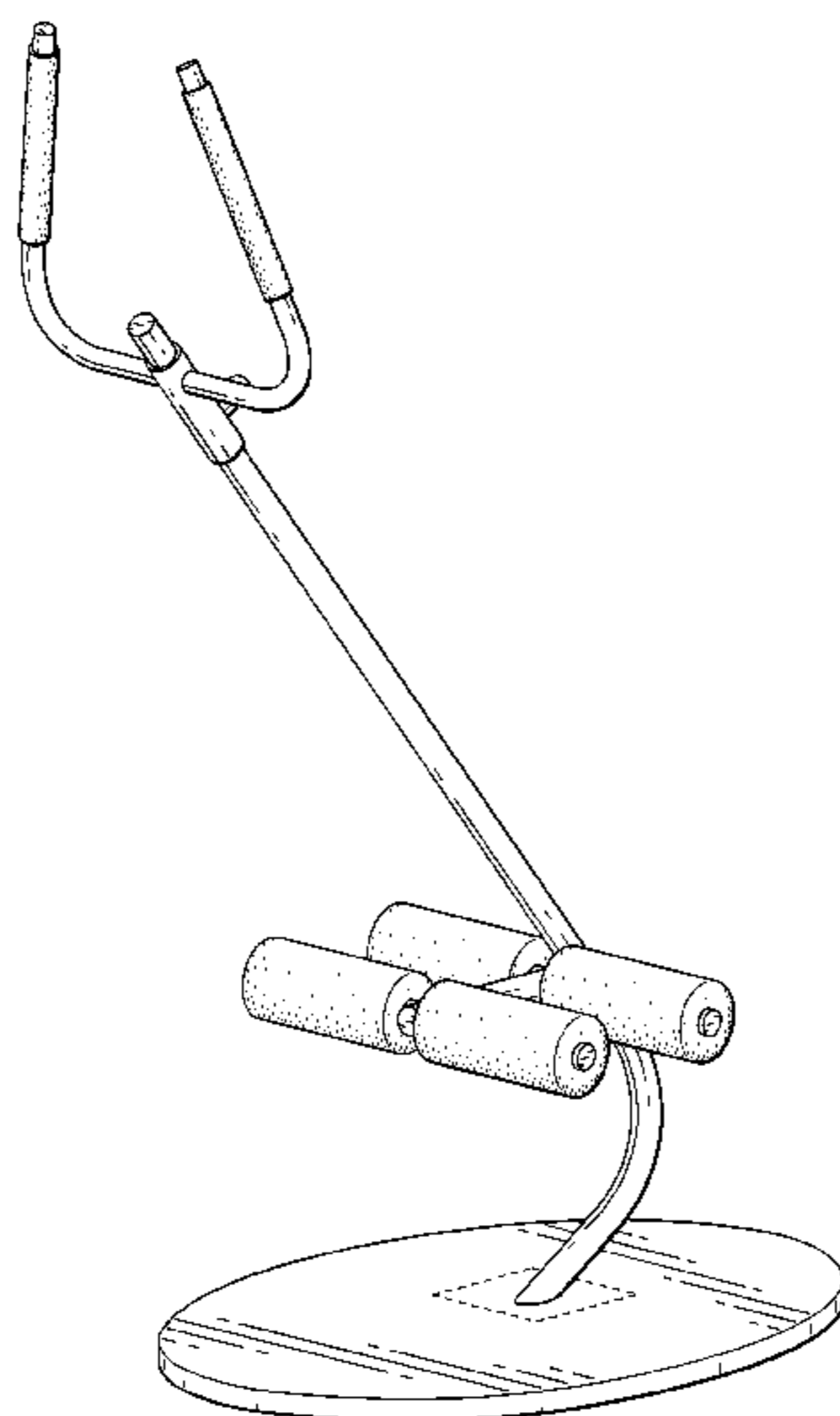
(56) **References Cited**
U.S. PATENT DOCUMENTS

3,920,240	A	11/1975	Ross		
4,834,364	A	5/1989	Gongwer et al.		
4,925,185	A	5/1990	Gongwer et al.		
5,037,090	A *	8/1991	Fitzpatrick	482/112
5,162,030	A	11/1992	Tanski		
5,820,520	A	10/1998	Sieber		
5,971,902	A *	10/1999	Robertson et al.	482/142
6,270,448	B1	8/2001	Smith		
6,981,934	B1	1/2006	Shifferaw		
7,004,894	B1 *	2/2006	Trotter	482/140
D522,076	S *	5/2006	Casey	D21/687

DESCRIPTION

FIG. 1 is a perspective view of an exercise apparatus.
FIG. 2 is an elevational view of one side thereof.
FIG. 3 is an elevation view of the opposite side thereof.
FIG. 4 is a rear elevational view thereof.
FIG. 5 is a front elevational view thereof.
FIG. 6 is a top plan view thereof; and,
FIG. 7 is a bottom view thereof.
The broken lines in FIGS. 1, 6 and 7 define bounds of the claimed design and forms no part thereof.

1 Claim, 6 Drawing Sheets



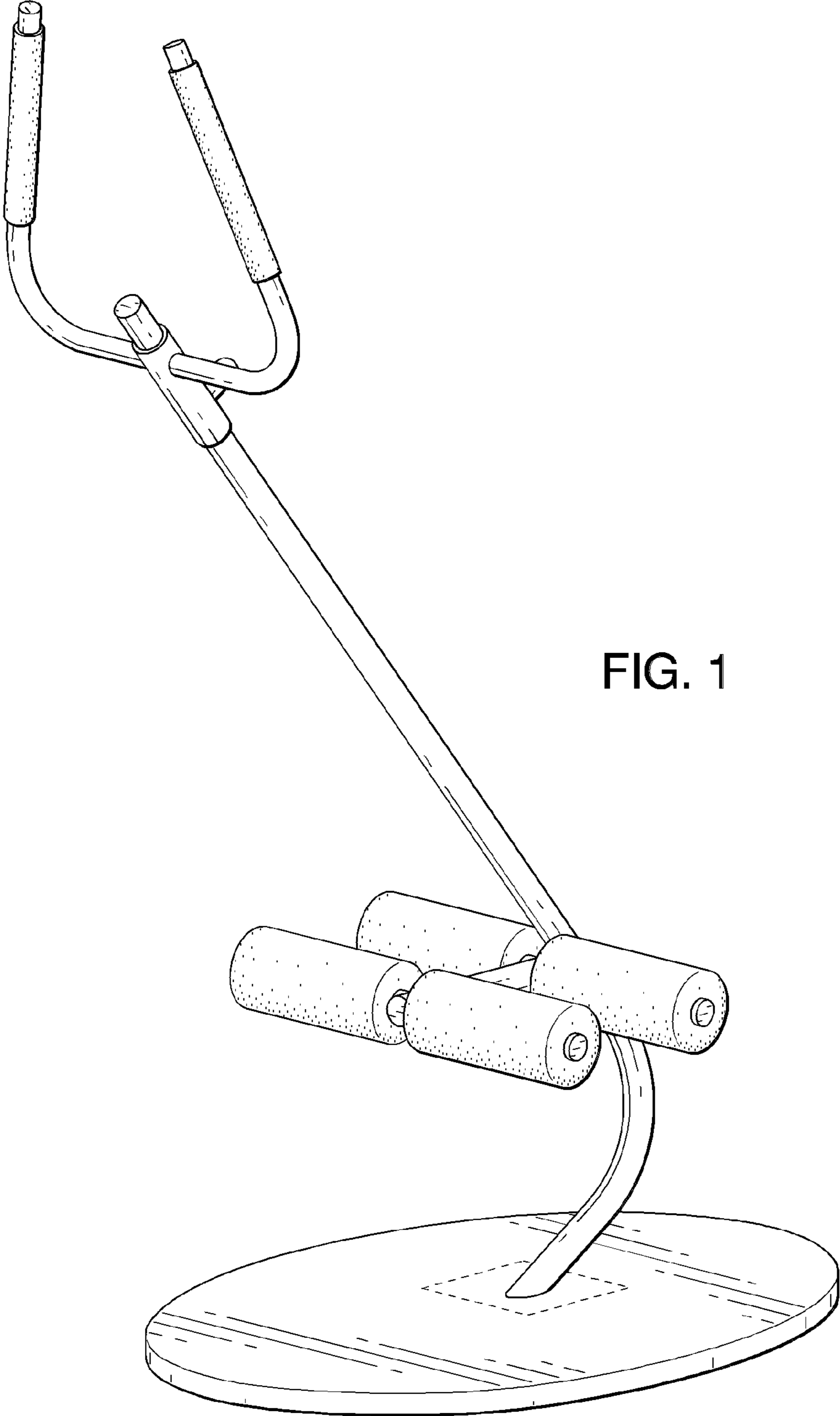


FIG. 1

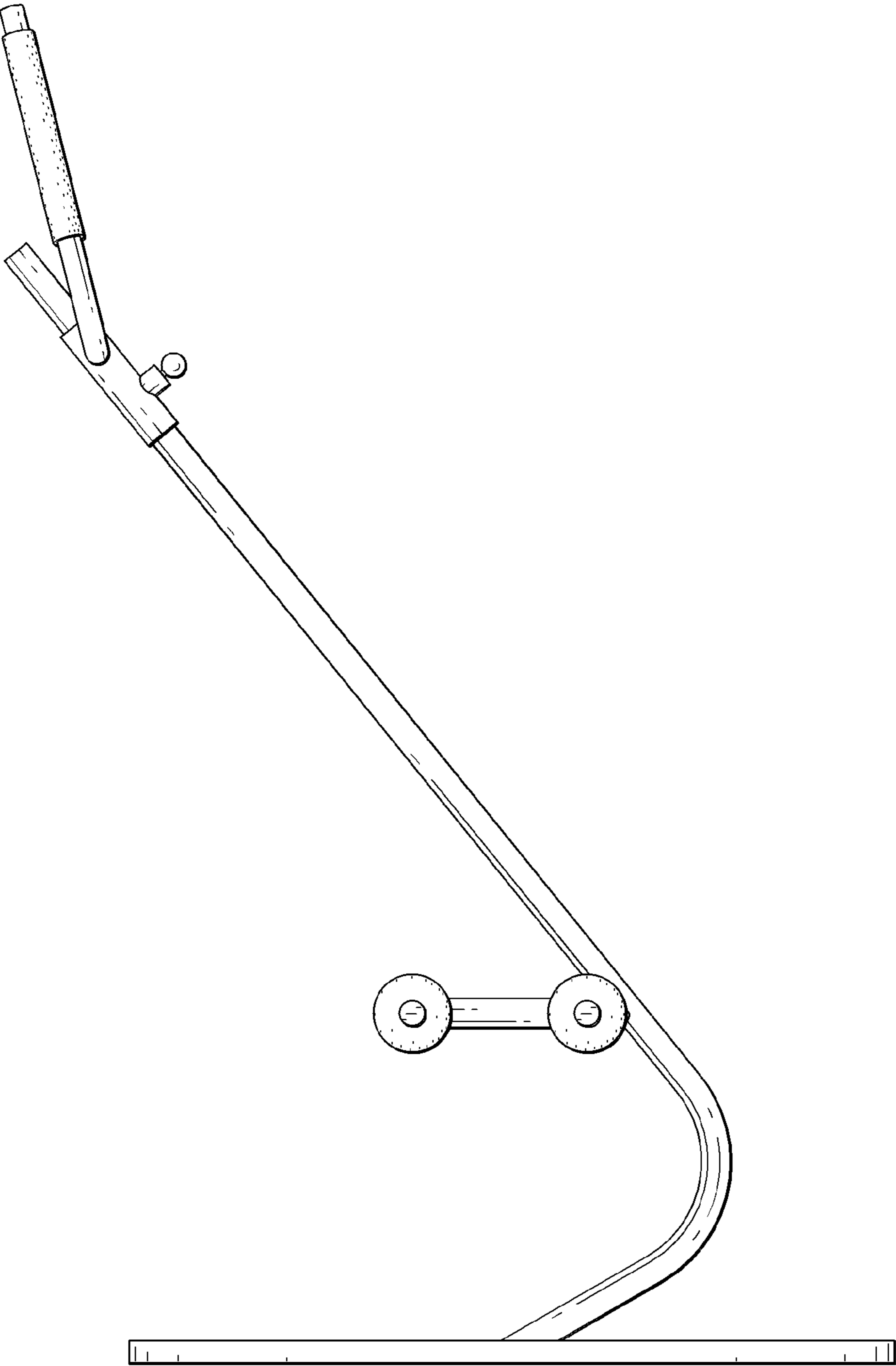


FIG. 2

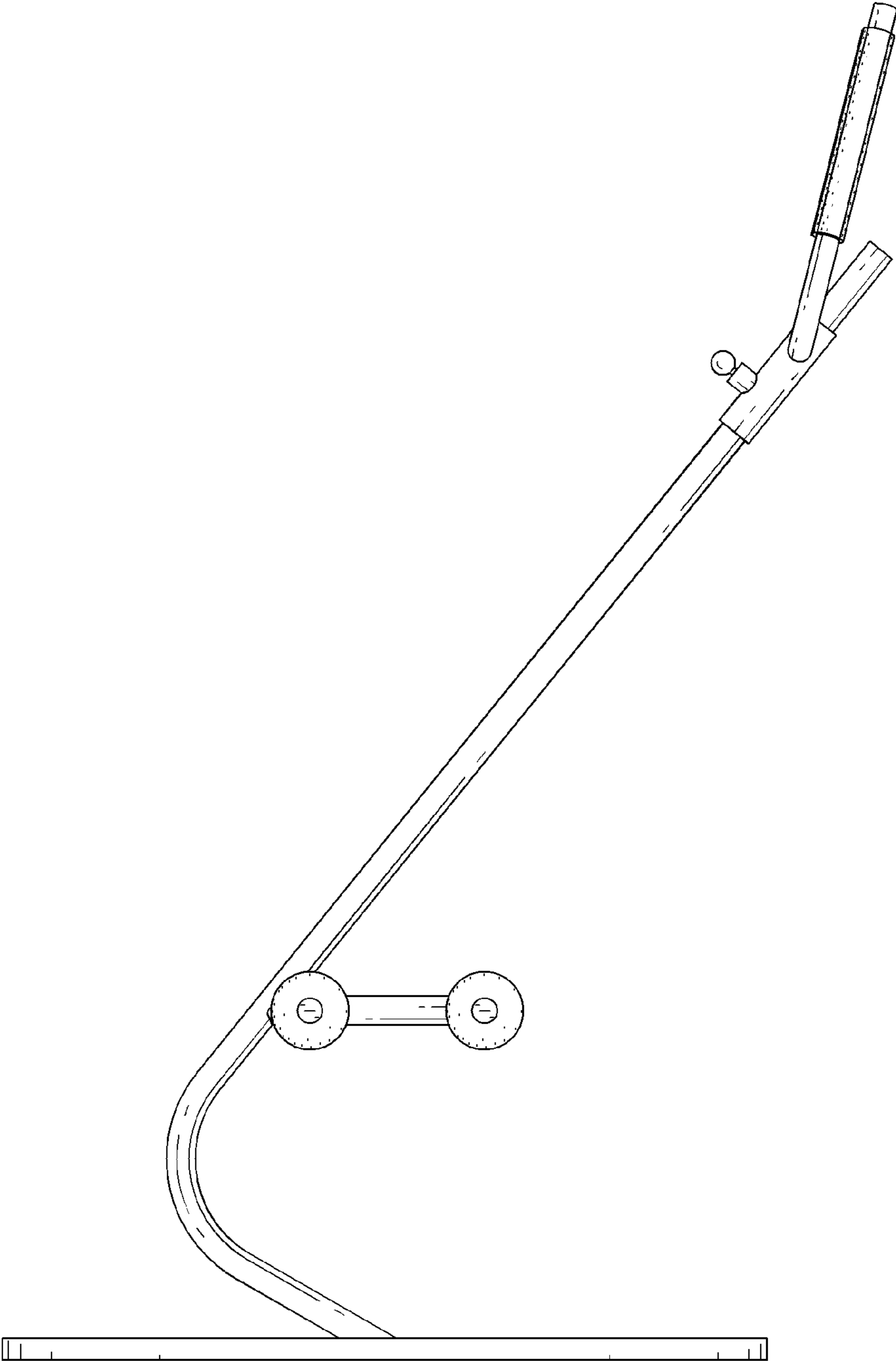


FIG. 3

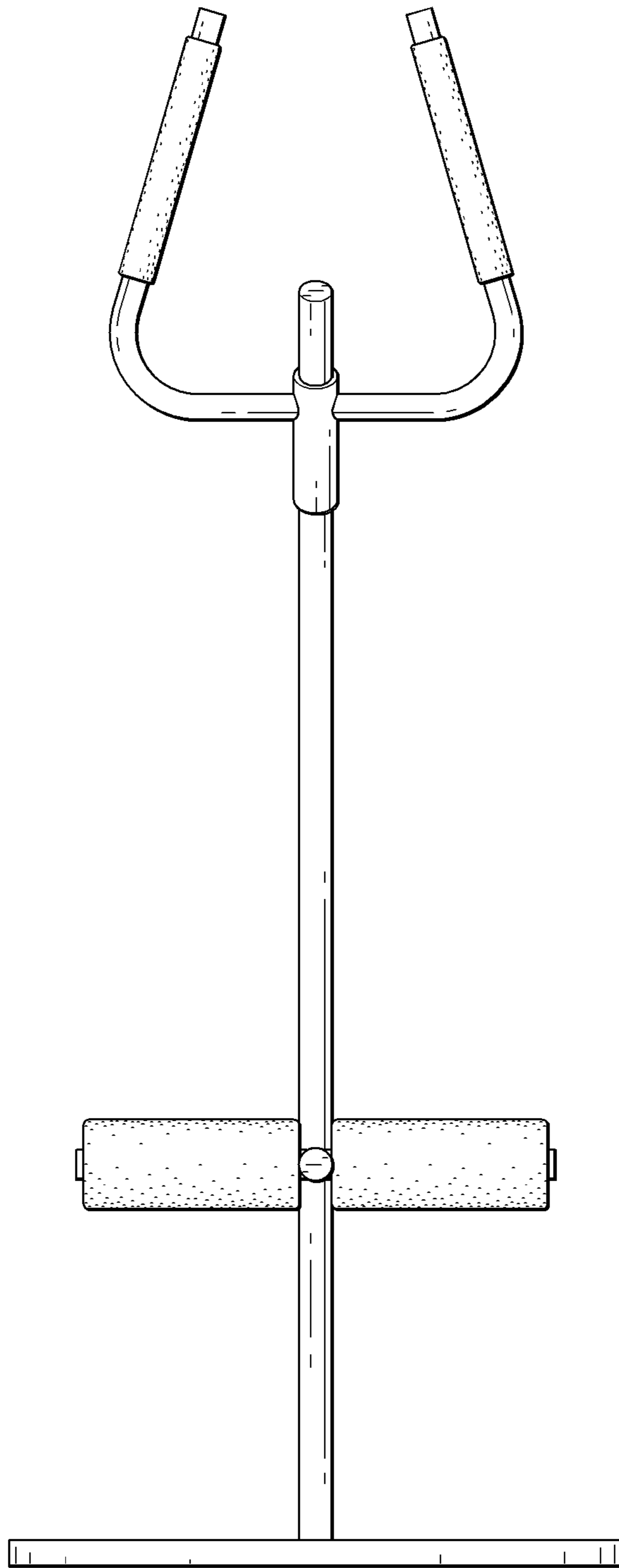


FIG. 4

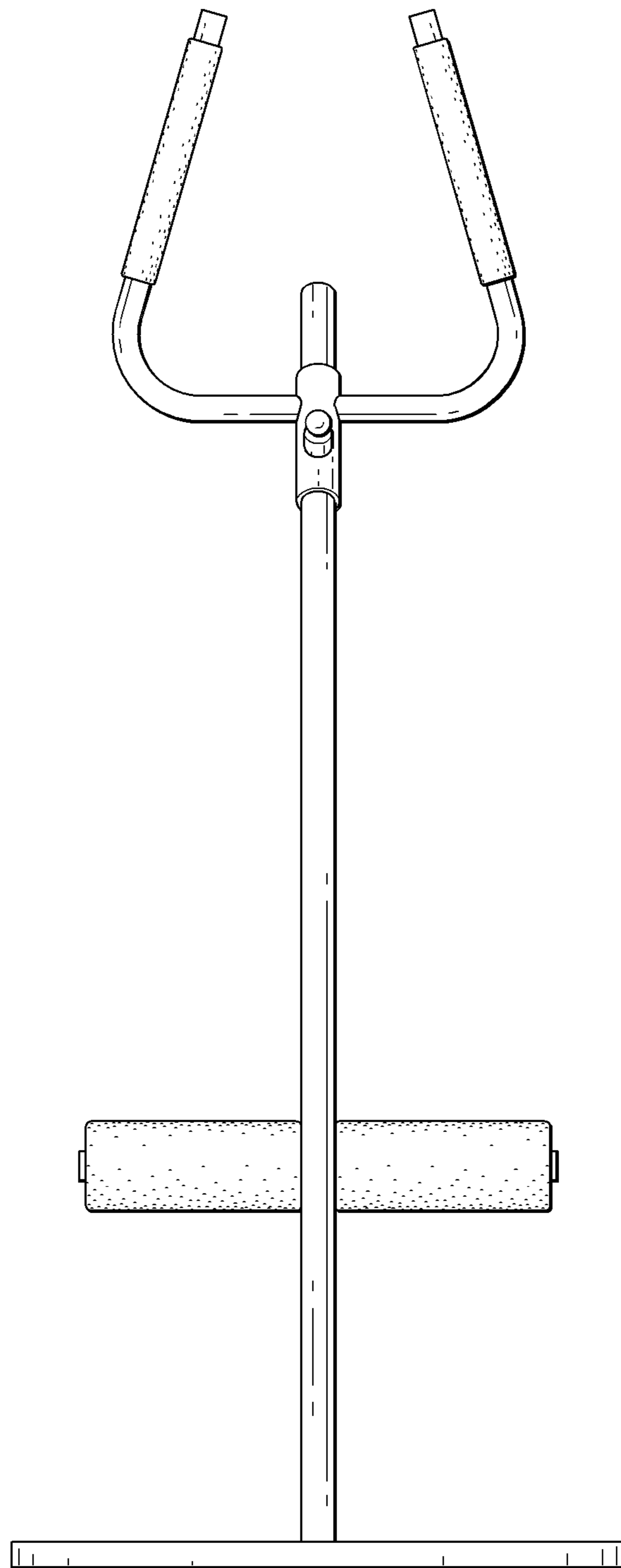


FIG. 5

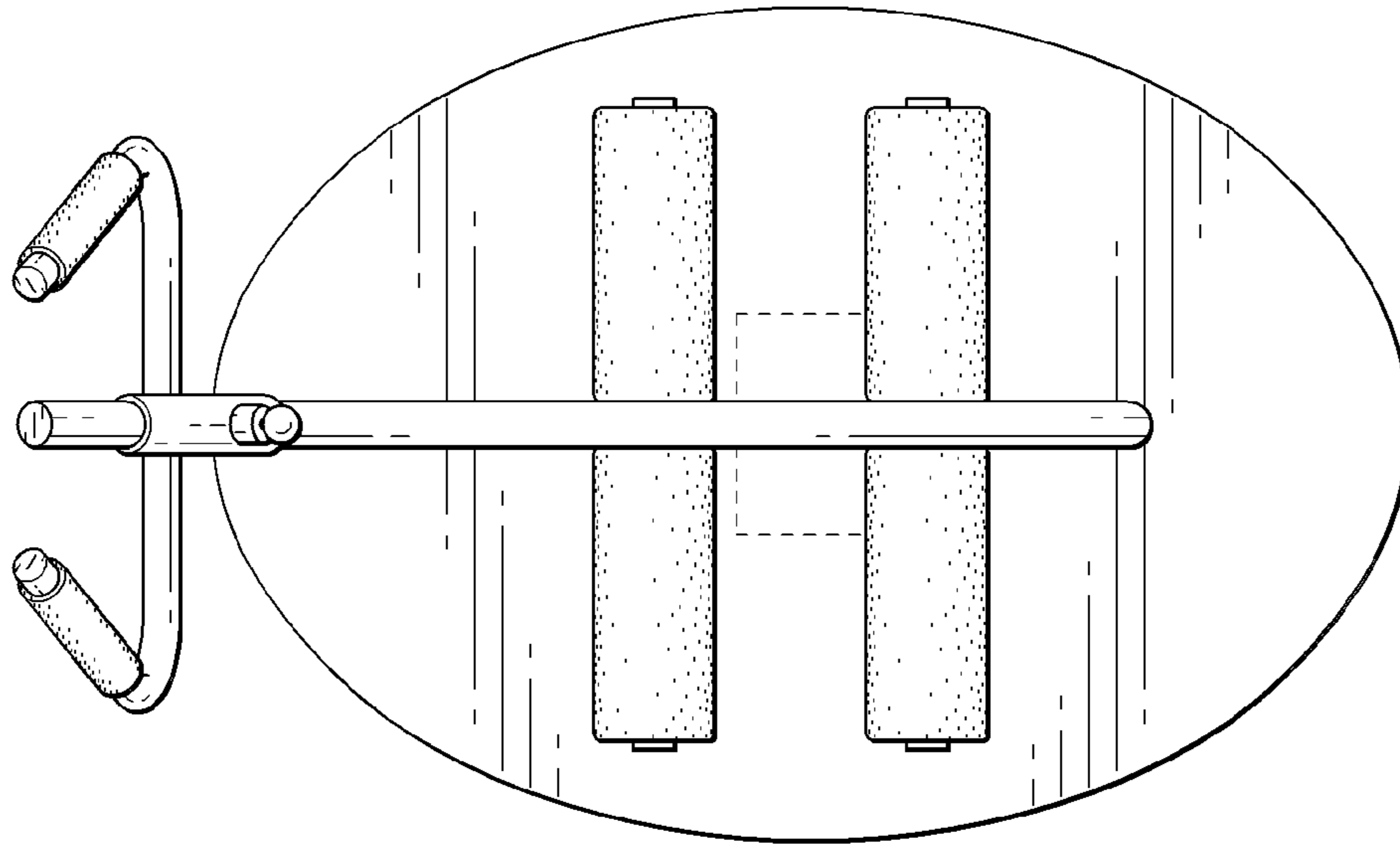


FIG. 6

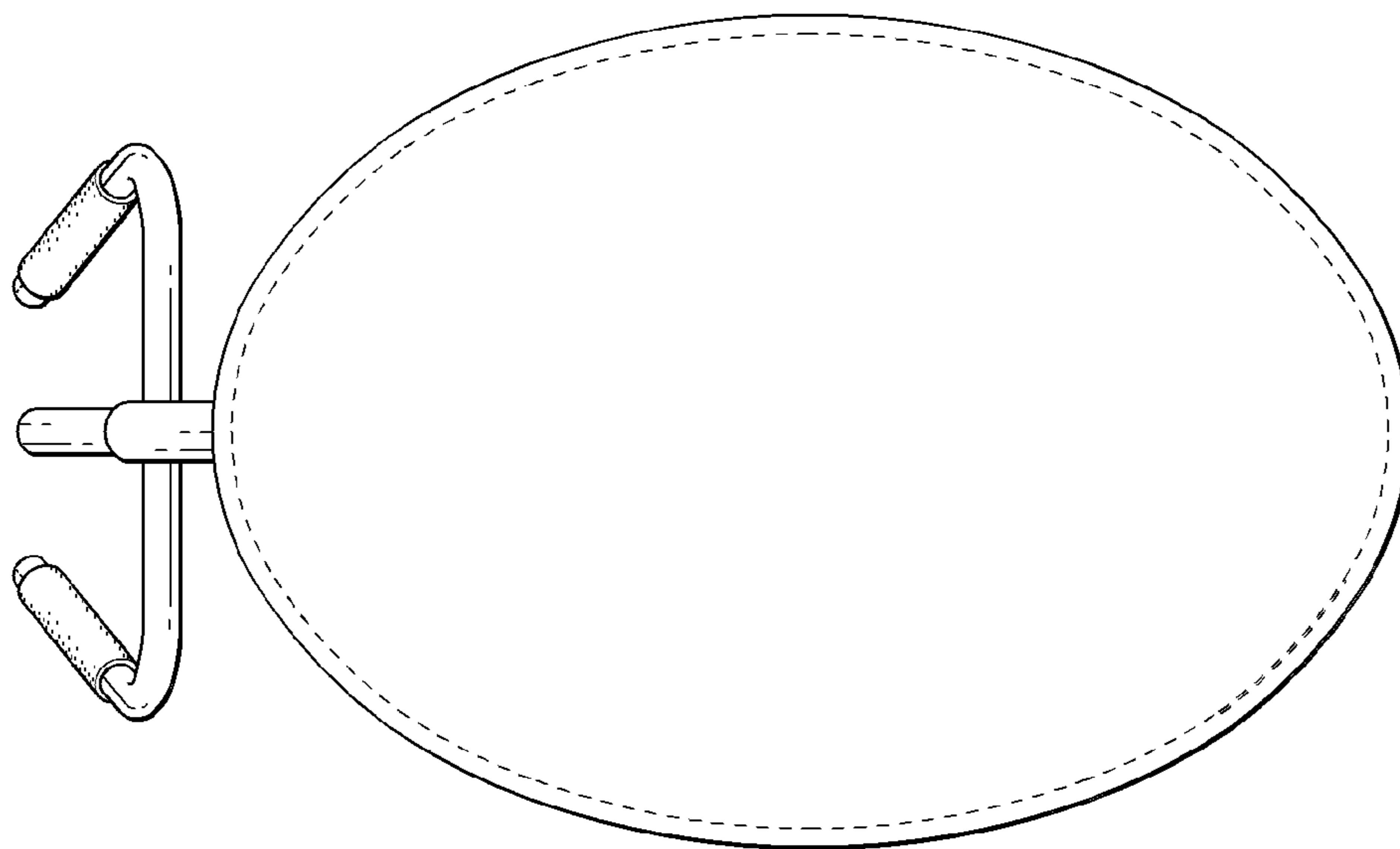


FIG. 7