



US00D724676S

(12) **United States Design Patent**  
**Winkelmann**

(10) **Patent No.:** **US D724,676 S**  
(45) **Date of Patent:** **\*\* Mar. 17, 2015**

(54) **TOY CONSTRUCTION SET**

(71) Applicant: **Ringo Daniel Winkelmann**, Berlin (DE)

(72) Inventor: **Ringo Daniel Winkelmann**, Berlin (DE)

(\*\*) Term: **14 Years**

(21) Appl. No.: **29/492,286**

(22) Filed: **May 29, 2014**

(51) **LOC (10) Cl.** ..... **21-01**

(52) **U.S. Cl.**  
USPC ..... **D21/484**; D21/501

(58) **Field of Classification Search**

CPC ..... A63H 33/00; A63H 33/04; A63H 33/06;  
A63H 33/08; A63H 33/10; A63H 33/12;  
A63H 33/14; A63F 9/08; A63F 9/12; G09B  
1/36

USPC ..... D21/484, 485, 486, 488, 489, 491, 494,  
D21/495, 499, 500-504; 446/69, 85,  
446/102-128; 434/208, 259, 403; 273/153,  
273/156, 160; 428/174; D25/113-116, 118

See application file for complete search history.

(56) **References Cited**

**U.S. PATENT DOCUMENTS**

D174,950 S *	6/1955	Frishberg	.....	D21/503
D174,951 S *	6/1955	Frishberg	.....	D21/503
3,355,837 A *	12/1967	Pedersen	.....	446/94
4,547,160 A *	10/1985	Labelle	.....	446/103
D311,680 S *	10/1990	Miall	.....	D8/382
5,199,919 A *	4/1993	Glickman	.....	446/126
D409,679 S *	5/1999	Jensen	.....	D21/501
D410,704 S *	6/1999	Krog	.....	D21/486
5,913,706 A *	6/1999	Glickman et al.	.....	446/97
D420,710 S *	2/2000	Poulsen	.....	D21/486
D686,676 S *	7/2013	Telford	.....	D21/501
2004/0077256 A1 *	4/2004	Laferrera	.....	446/85
2014/0273712 A1 *	9/2014	Uttley et al.	.....	446/121

\* cited by examiner

*Primary Examiner* — Cynthia M Chin

(74) *Attorney, Agent, or Firm* — Li & Cai Intellectual Property (USA) Office

(57) **CLAIM**

The ornamental design for a “toy construction set,” as shown and described.

**DESCRIPTION**

FIG. 1 is a perspective view of a first component of a toy construction set showing my new design;

FIG. 2 is a second perspective view of the first component thereof;

FIG. 3 is a front elevational view of the first component, the rear elevational view being the same as the front elevational view thereof;

FIG. 4 is a left-side elevational view of the first component, the right-side elevational view being the same as the left-side elevational view thereof;

FIG. 5 is a top plan view of the first component thereof;

FIG. 6 is a bottom plan view of the first component thereof;

FIG. 7 is a perspective view of a second component thereof;

FIG. 8 is a second perspective view of the second component thereof;

FIG. 9 is a front elevational view of the second component, the rear elevational view being the same as the front elevational view thereof;

FIG. 10 is a left-side elevational view of the second component, the right-side elevational view being the same as the left-side elevational view thereof;

FIG. 11 is a top plan view of the second component thereof;

FIG. 12 is a bottom plan view of the second component thereof;

FIG. 13 is a perspective view of a third component thereof;

FIG. 14 is a second perspective view of the third component thereof;

FIG. 15 is a front elevational view of the third component, the rear elevational view being the same as the front elevational view thereof;

FIG. 16 is a left-side elevational view of the third component, the right-side elevational view being the same as the left-side elevational view thereof;

FIG. 17 is a top plan view of the third component thereof;

FIG. 18 is a bottom plan view of the third component thereof;

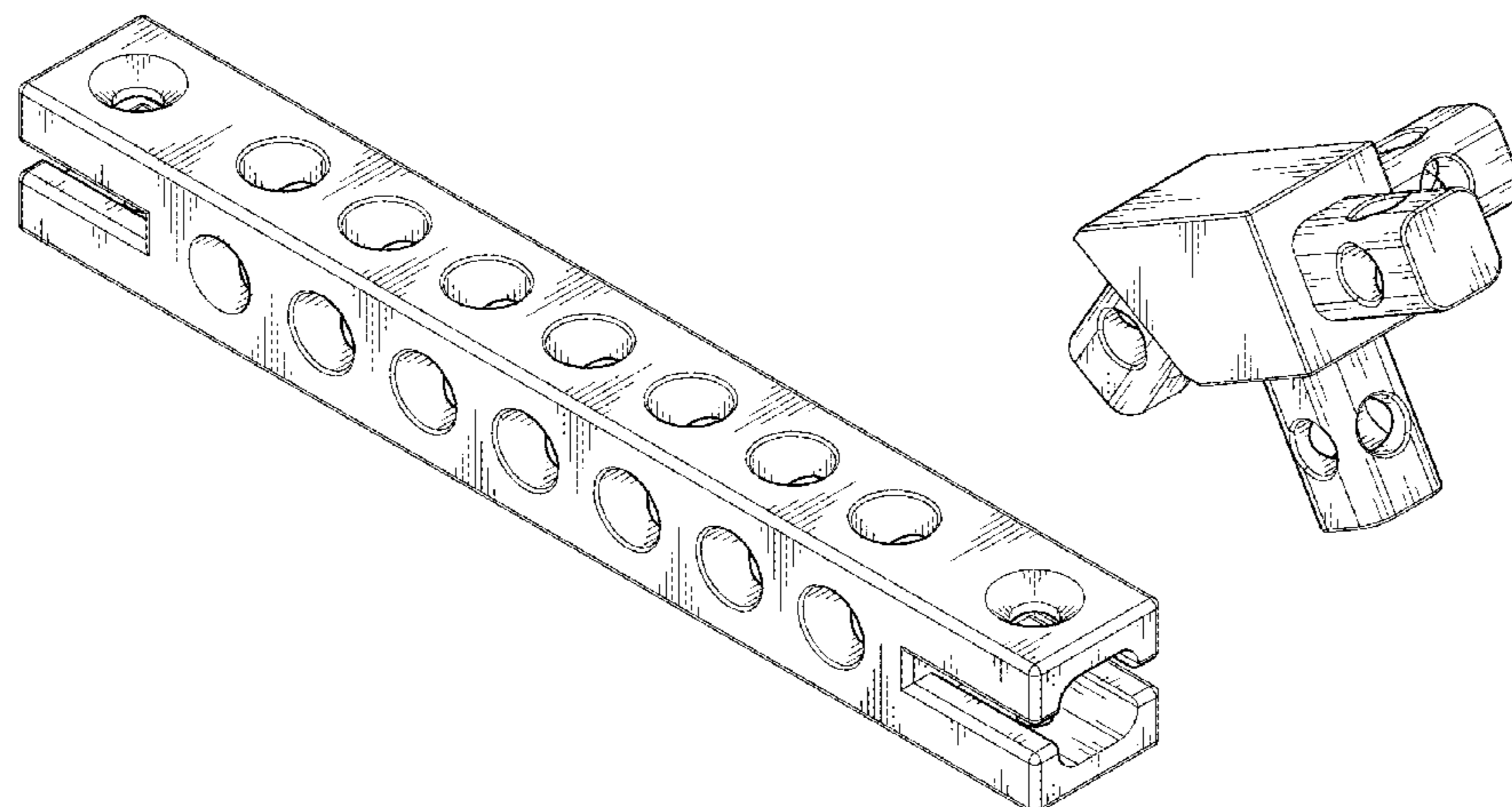


FIG. 19 is a perspective view of a fourth component thereof;  
FIG. 20 is a second perspective view of the fourth component thereof;

FIG. 21 is a front elevational view of the fourth component, the rear elevational view being the same as the front elevational view thereof;

FIG. 22 is a left-side elevational view of the fourth component, the right-side elevational view being the same as the left-side elevational view thereof;

FIG. 23 is a top plan view of the fourth component thereof;

FIG. 24 is a bottom plan view of the fourth component thereof;

FIG. 25 is a perspective view of a fifth component thereof;

FIG. 26 is a second perspective view of the fifth component thereof;

FIG. 27 is a front elevational view of the fifth component thereof;

FIG. 28 is a rear elevational view of the fifth component thereof;

FIG. 29 is a left-side elevational view of the fifth component thereof;

FIG. 30 is a right-side elevational view of the fifth component thereof;

FIG. 31 is a top plan view of the fifth component thereof;

FIG. 32 is a bottom plan view of the fifth component thereof;

FIG. 33 is a perspective view of a sixth component thereof;  
FIG. 34 is a second perspective view of the sixth component thereof;

FIG. 35 is a front elevational view of the sixth component, the rear elevational view being the same as the front elevational view thereof;

FIG. 36 is a left-side elevational view of the sixth component, the right-side elevational view being the same as the left-side elevational view thereof;

FIG. 37 is a top plan view of the sixth component thereof;

FIG. 38 is a bottom plan view of the sixth component thereof;

FIG. 39 is a perspective view of a seventh component thereof;

FIG. 40 is a second perspective view of the seventh component thereof;

FIG. 41 is a front elevational view of the seventh component thereof;

FIG. 42 is a rear elevational view of the seventh component thereof;

FIG. 43 is a left-side elevational view of the seventh component thereof;

FIG. 44 is a right-side elevational view of the seventh component; and,

FIG. 45 is a top plan view of the seventh component, the bottom plan view being a mirror image of the top plan view.

**1 Claim, 18 Drawing Sheets**

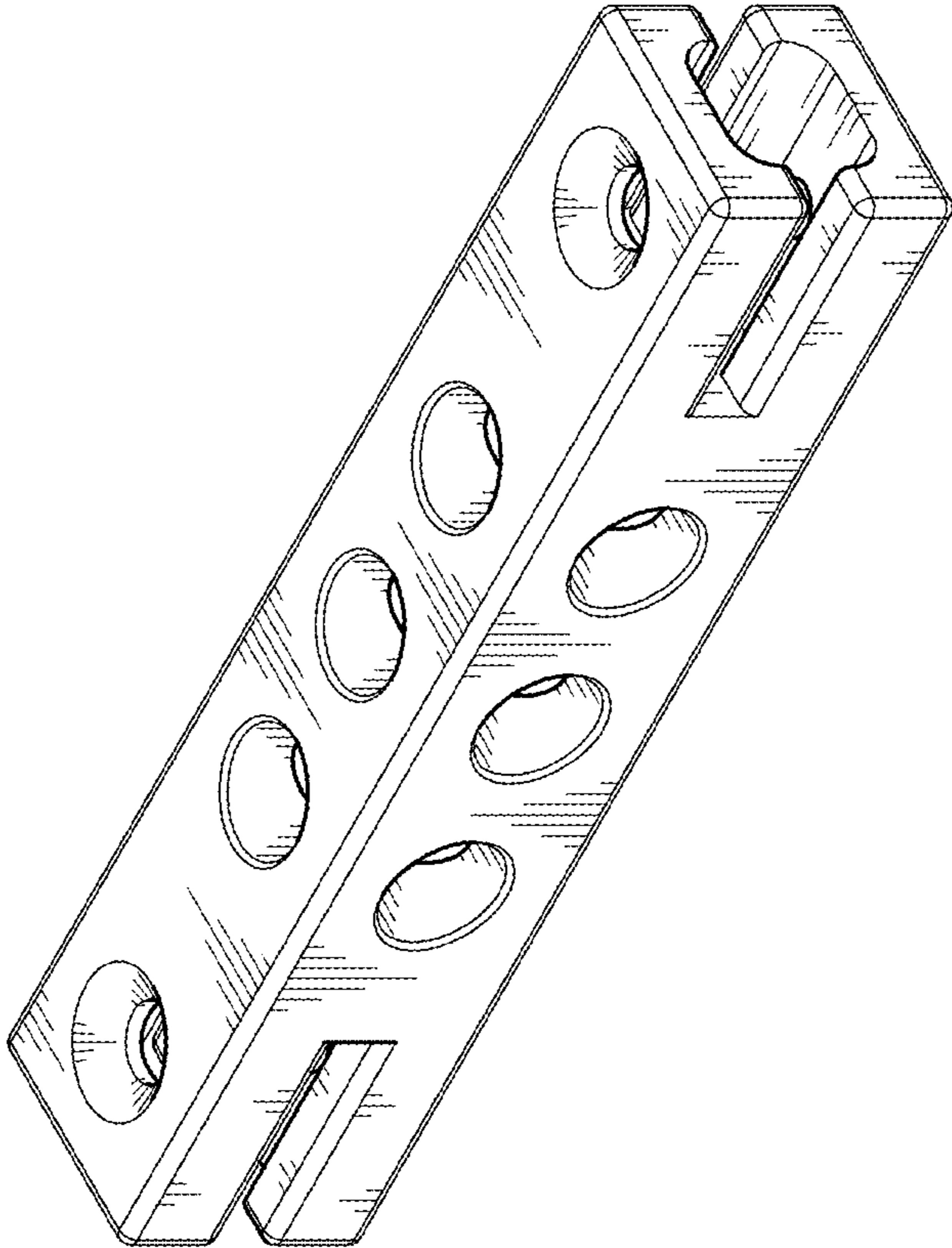


FIG.1

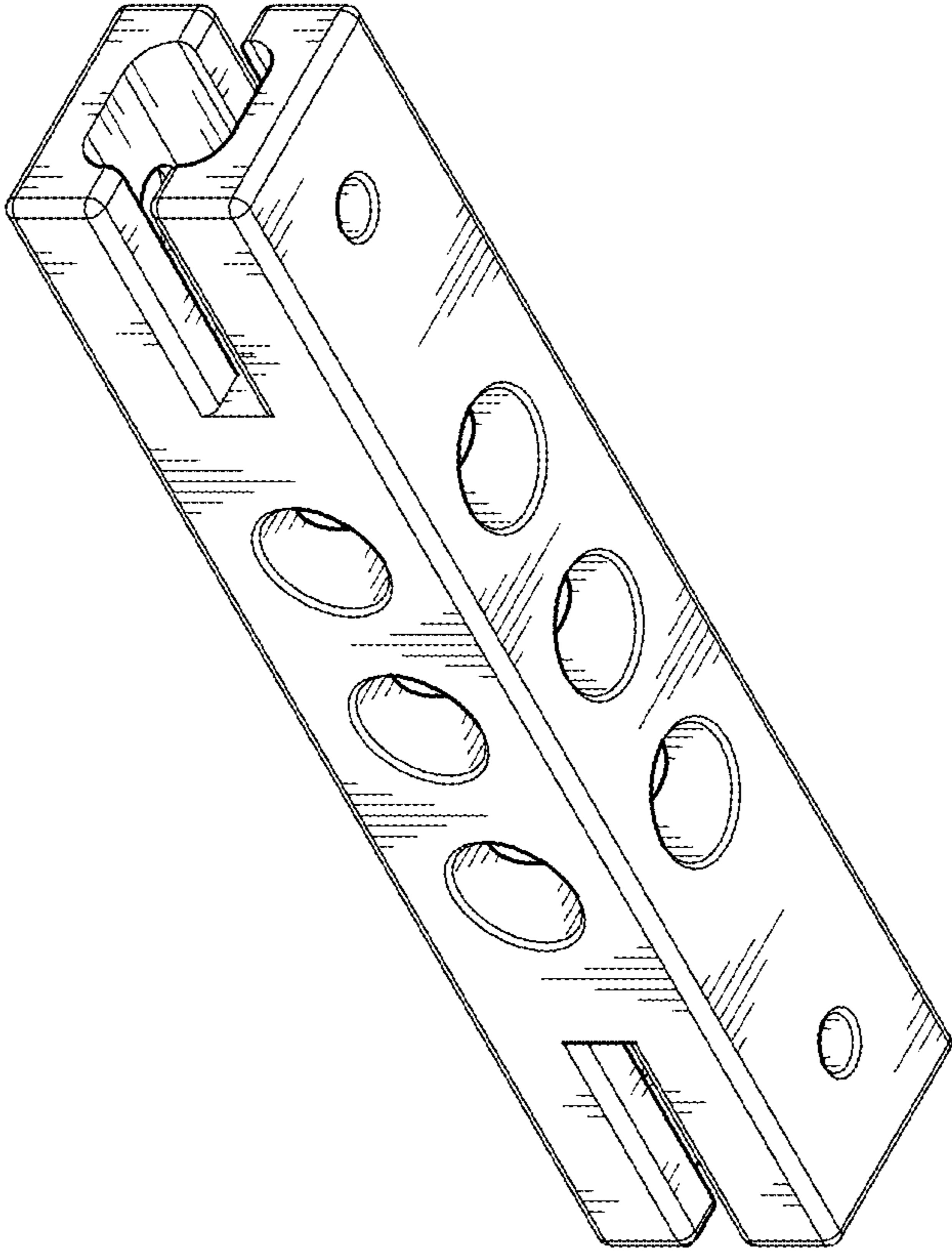


FIG.2

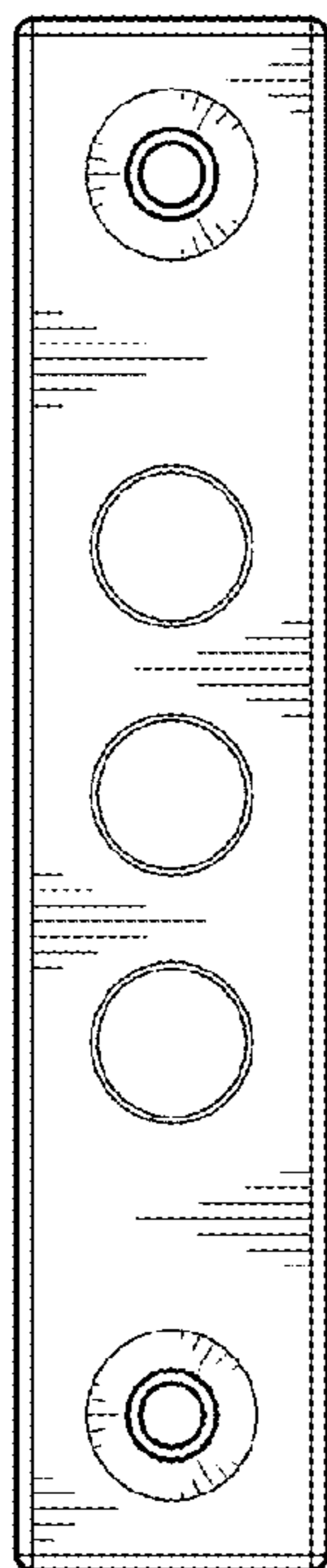


FIG. 5

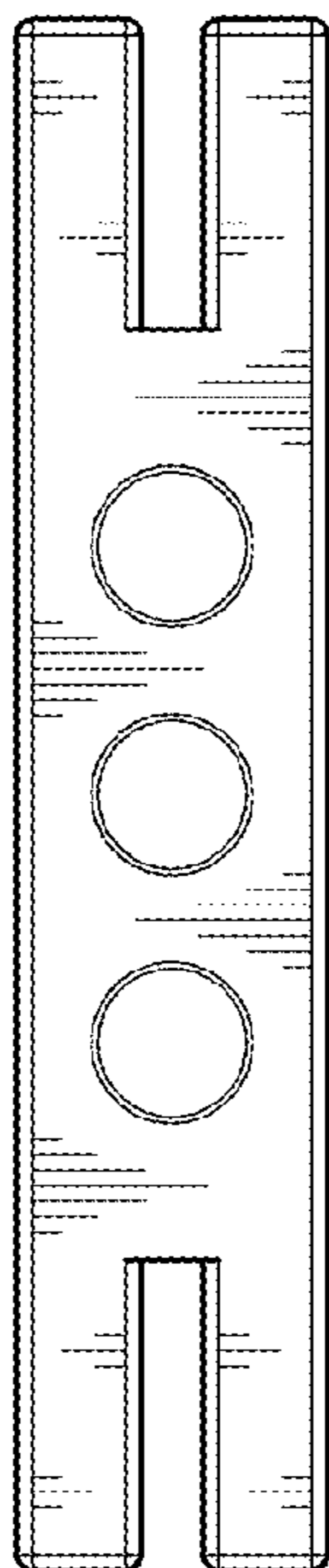


FIG. 3

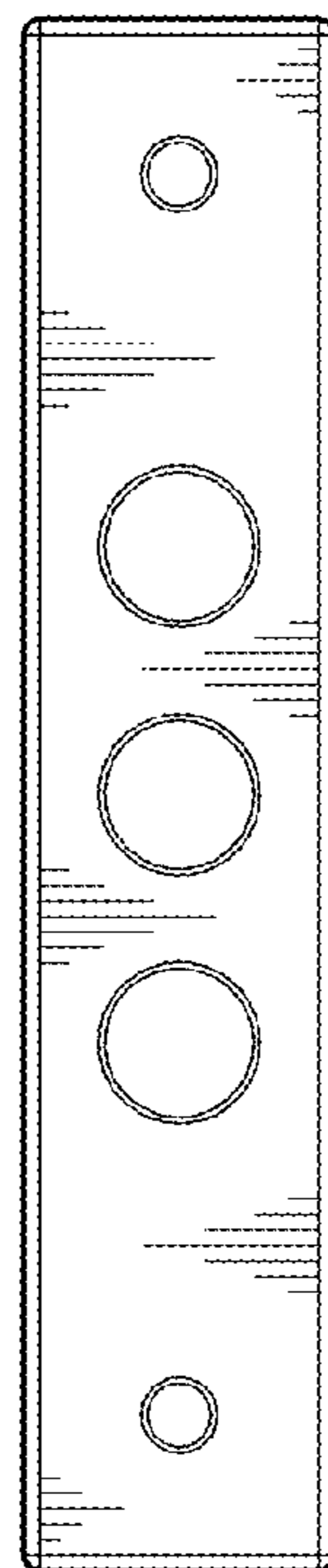


FIG. 6

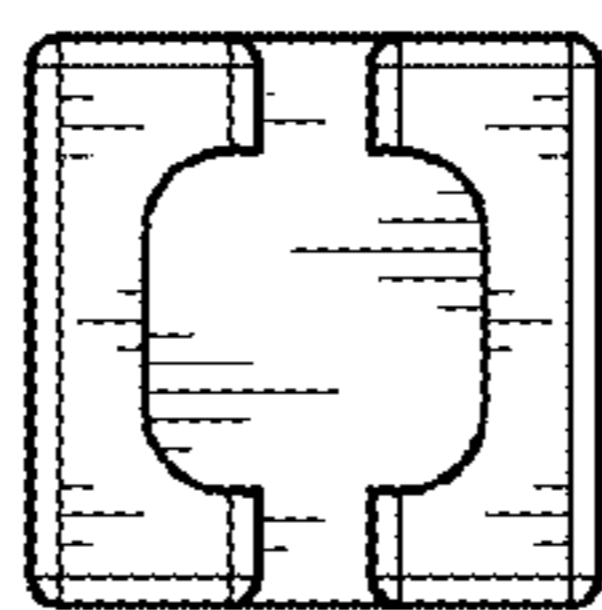


FIG. 4

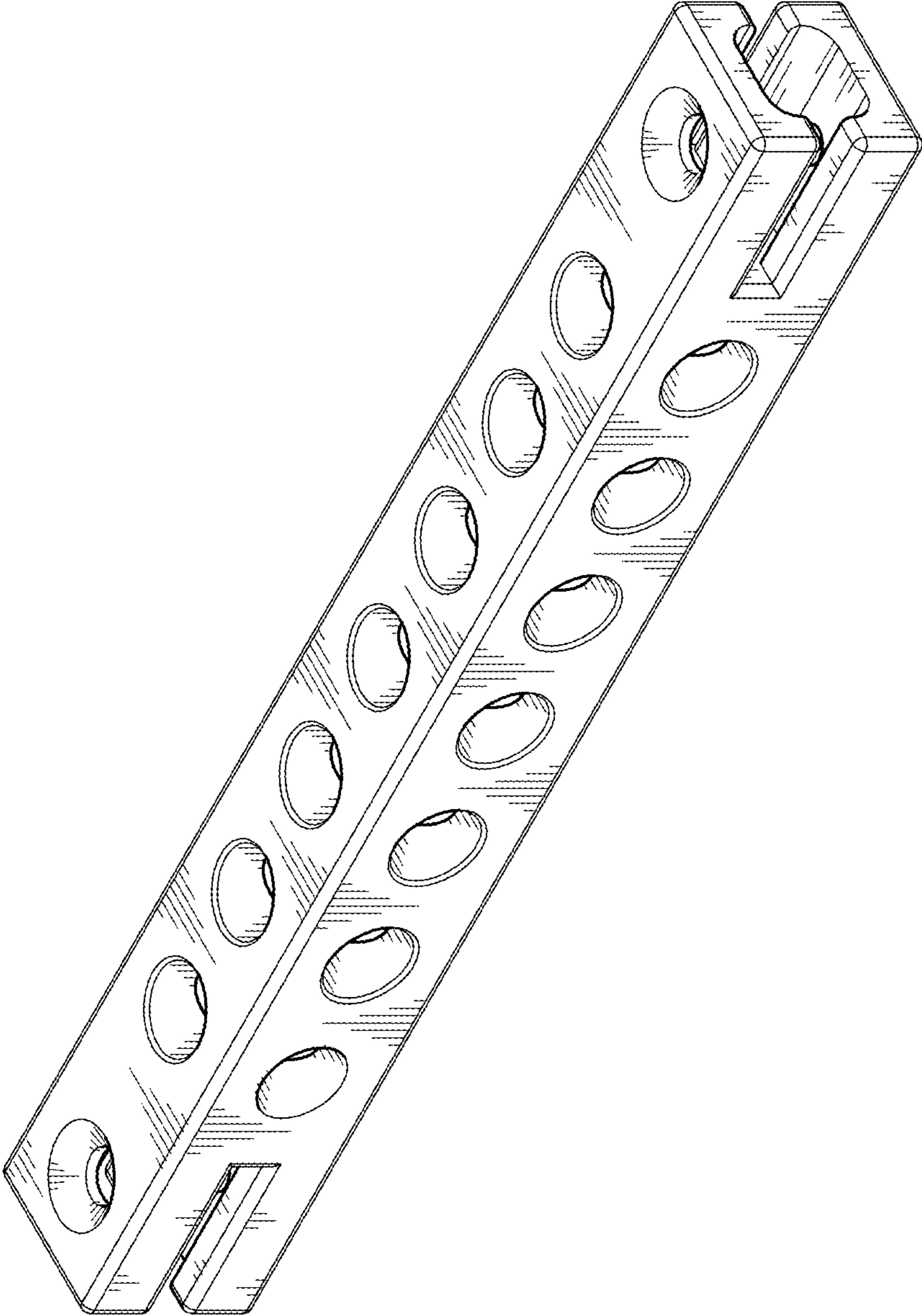


FIG.7

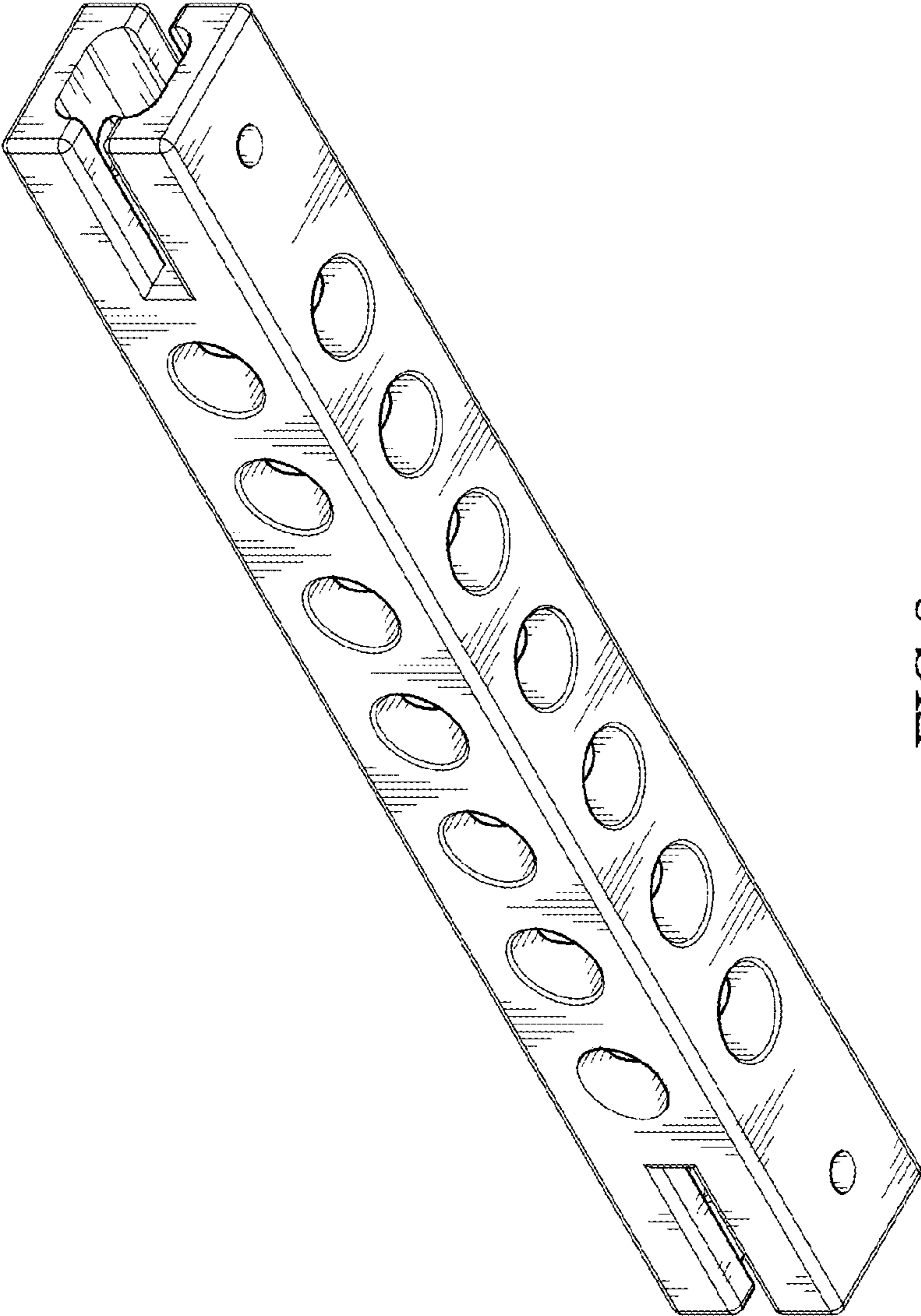


FIG.8

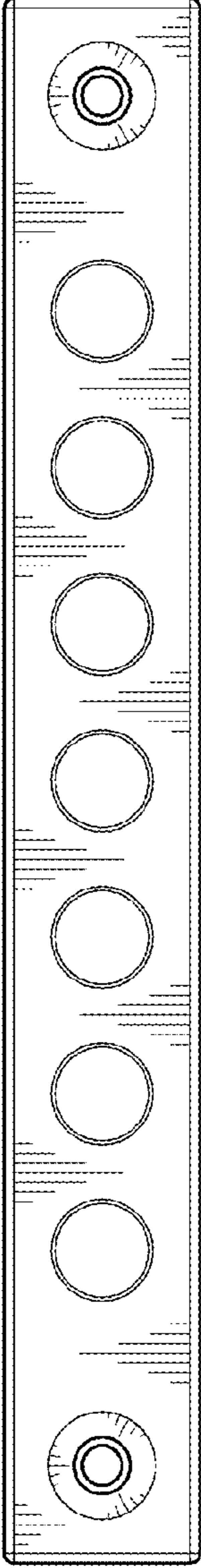


FIG. 11

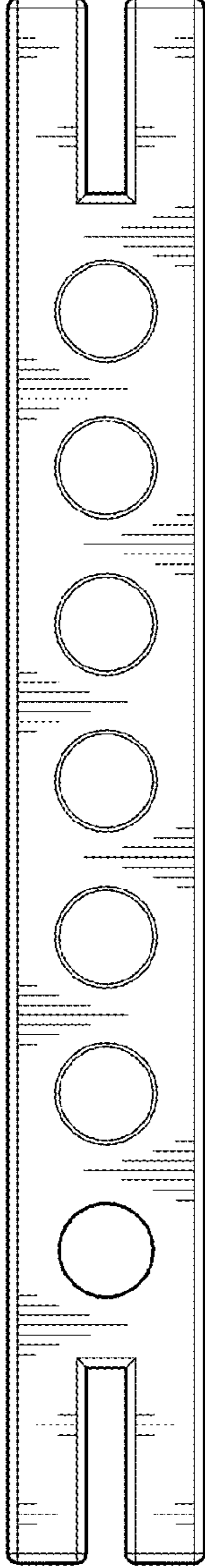


FIG. 9

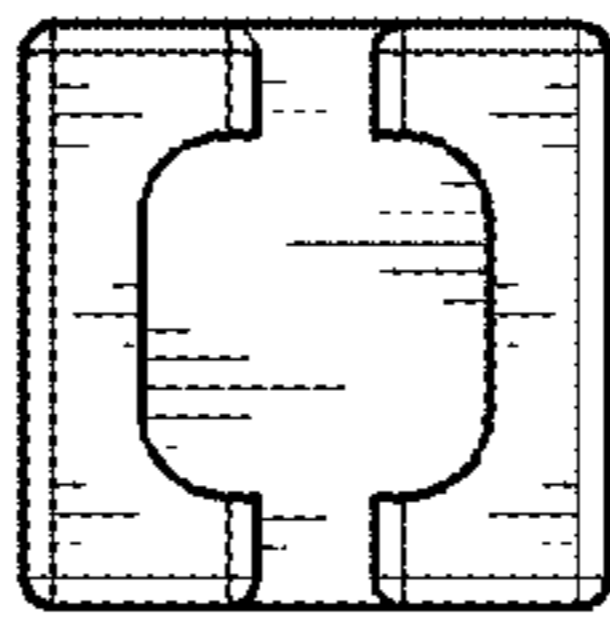


FIG. 10

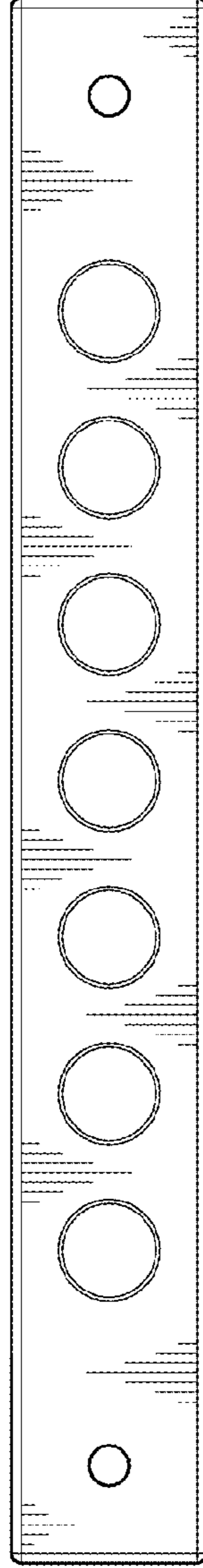


FIG. 12



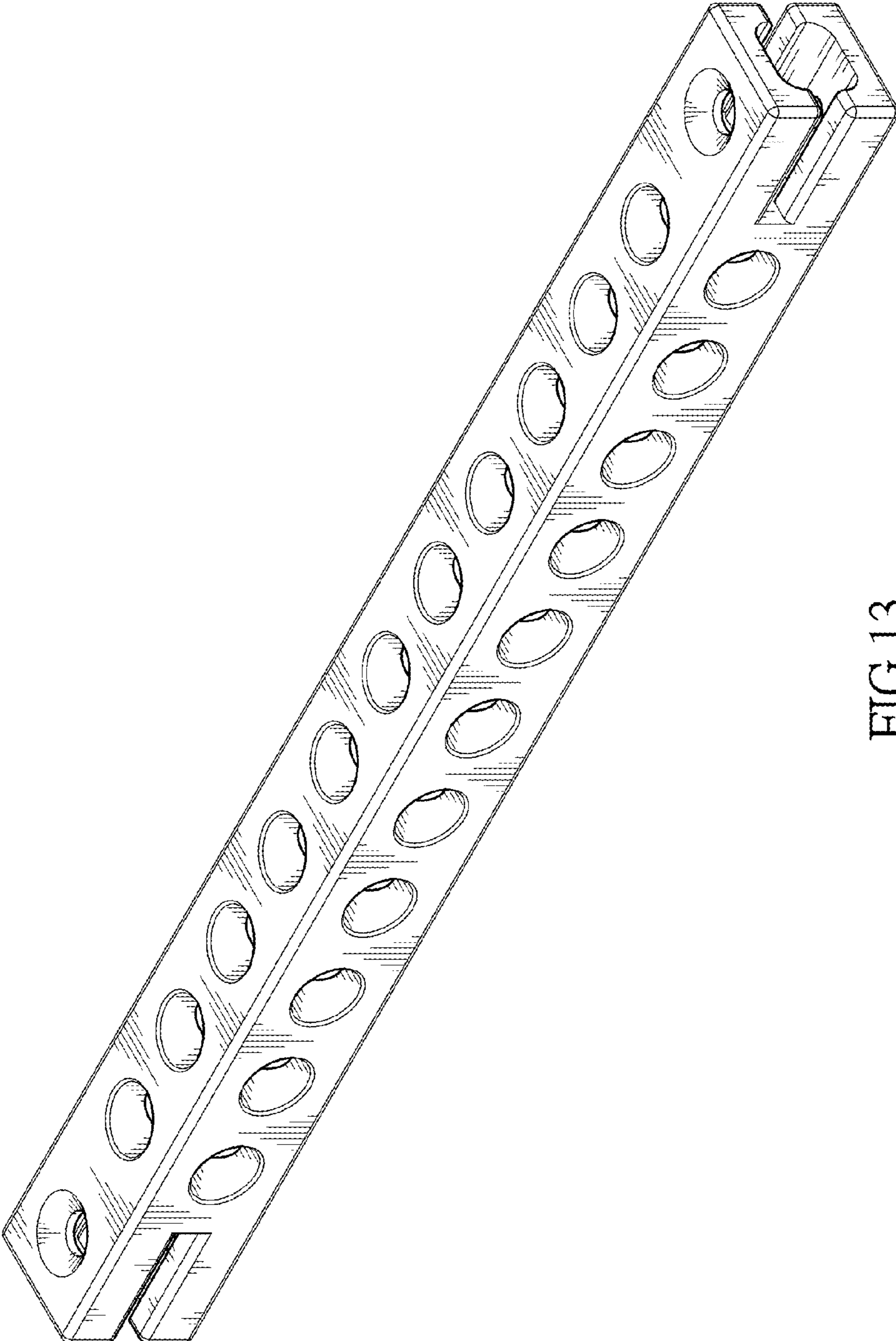


FIG.13

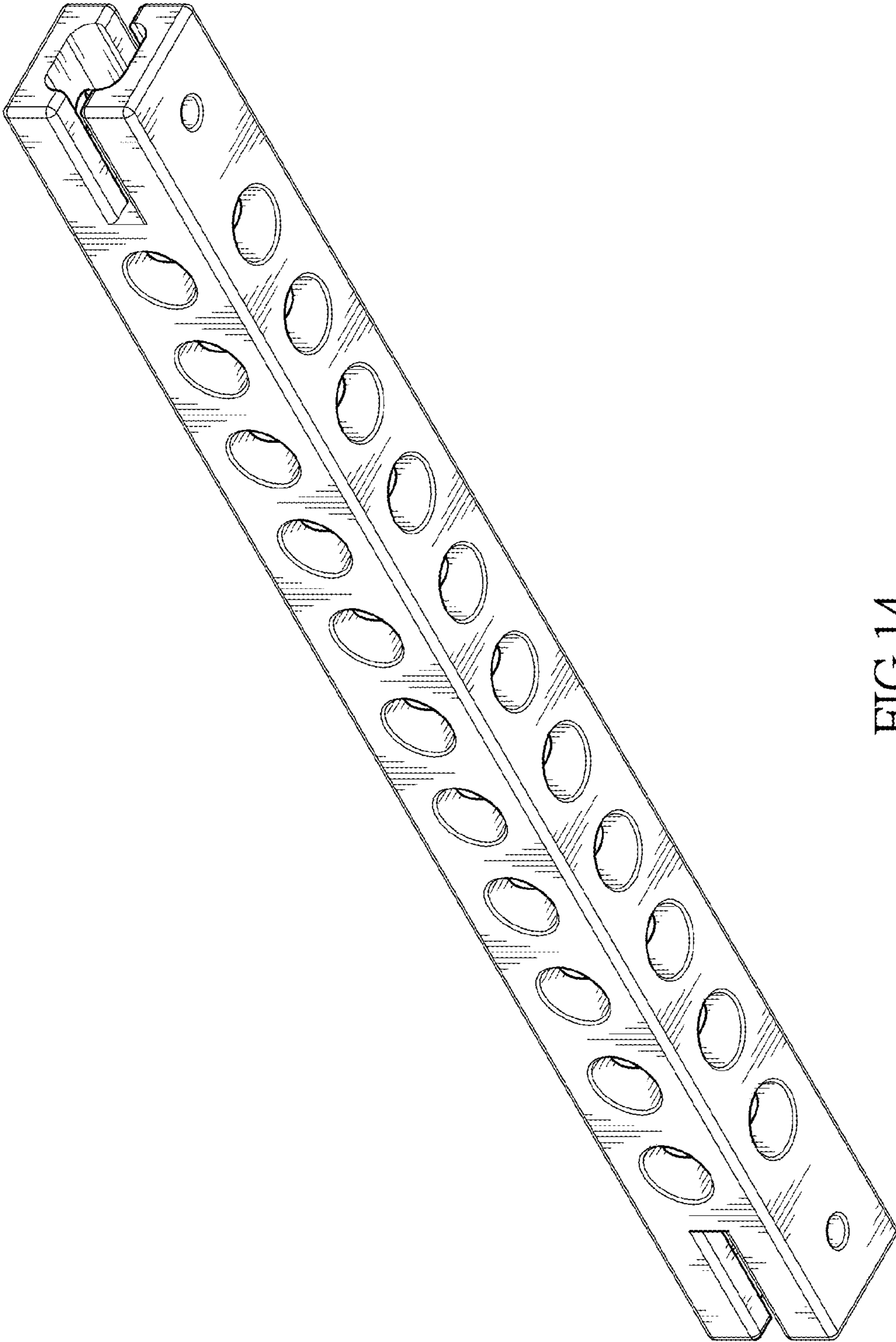


FIG.14

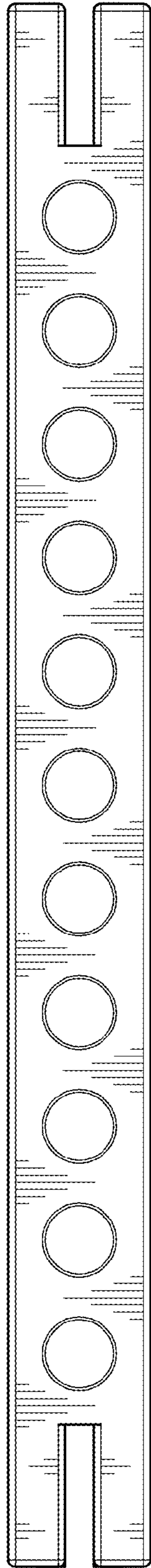


FIG. 15

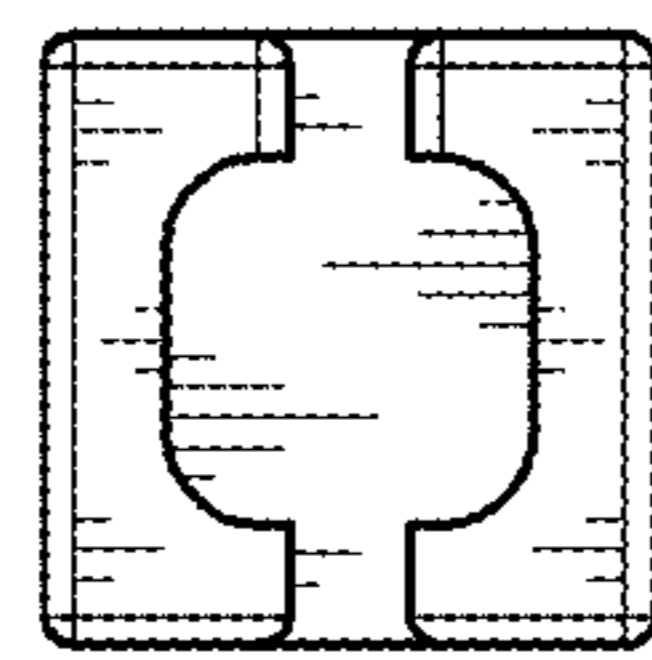


FIG. 16

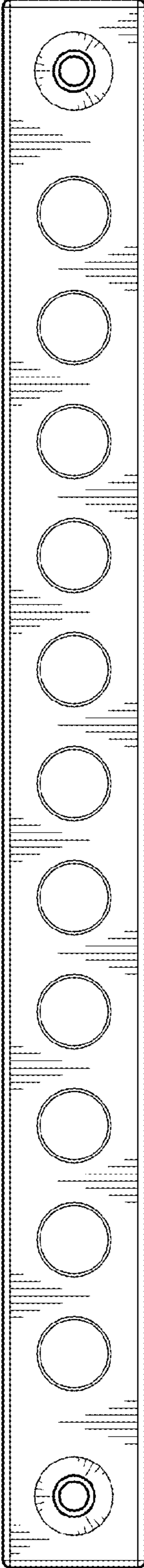


FIG.17

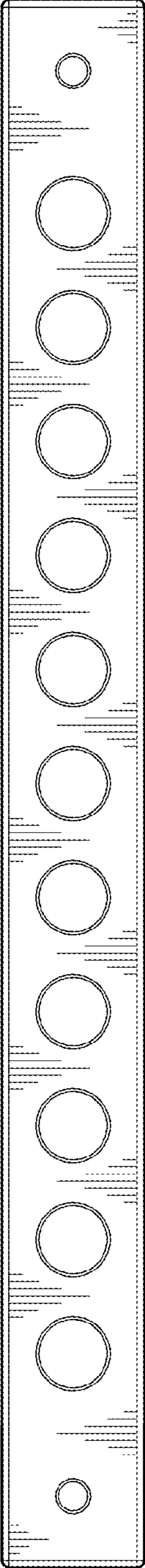


FIG.18

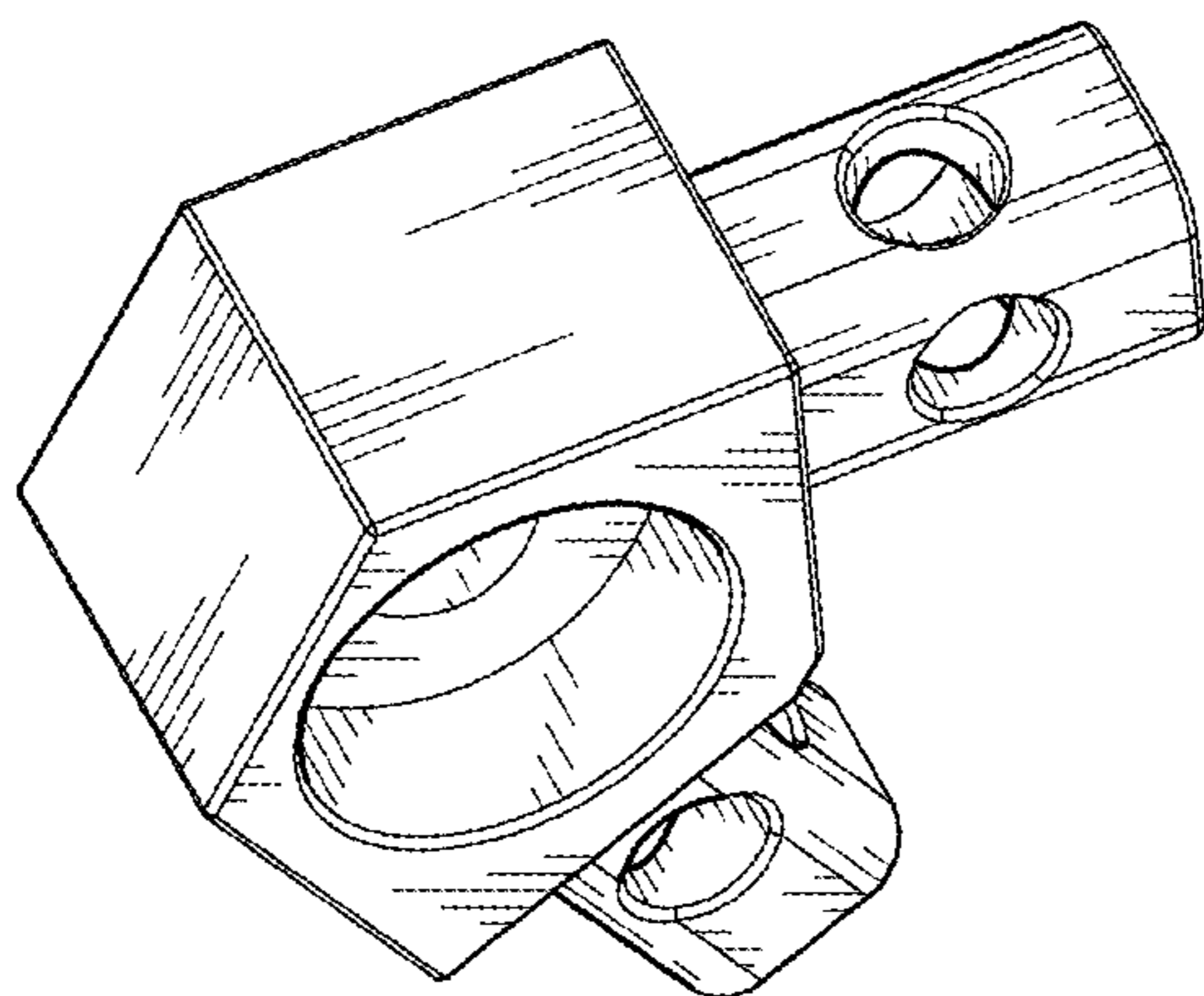


FIG.19

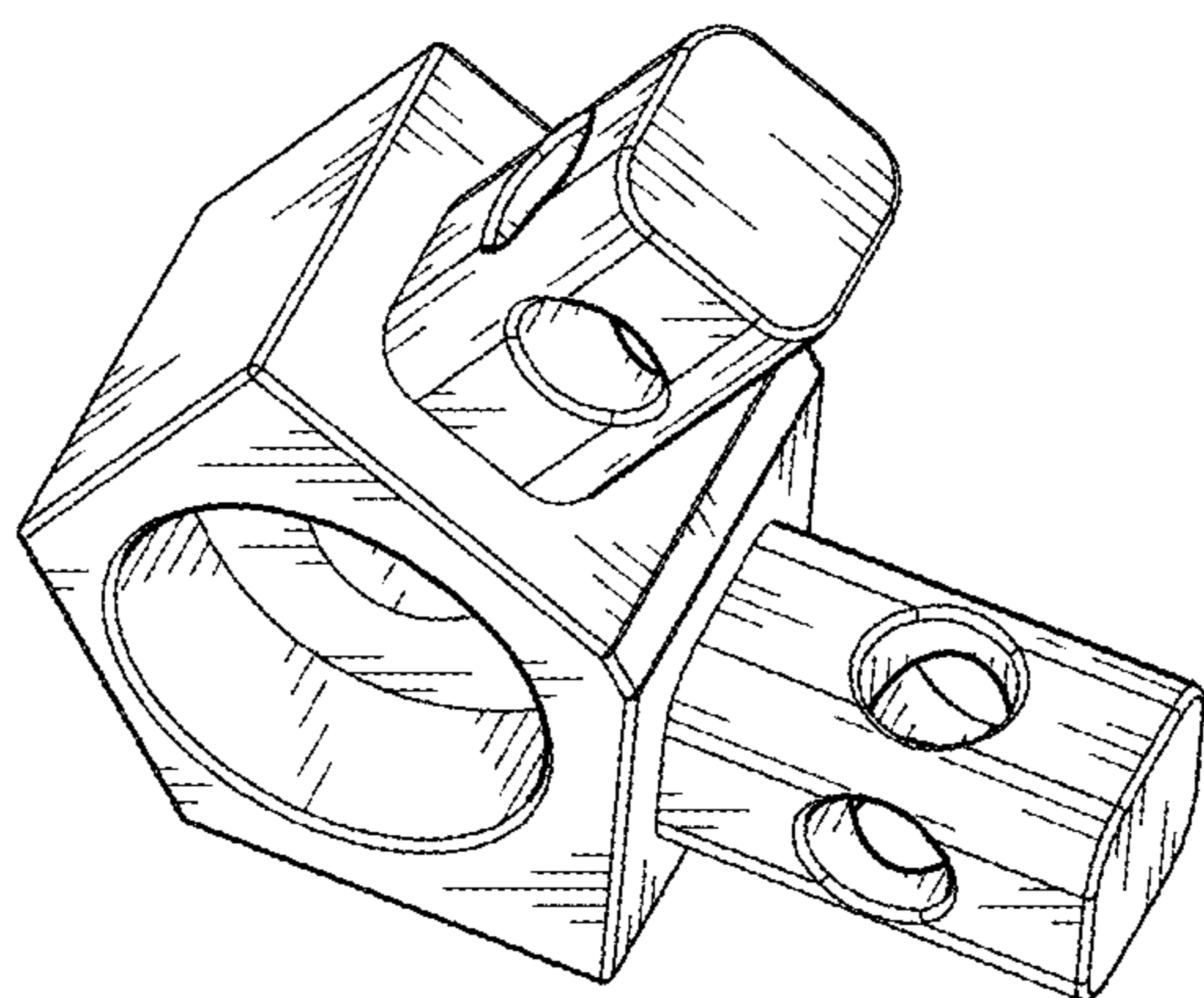


FIG.20

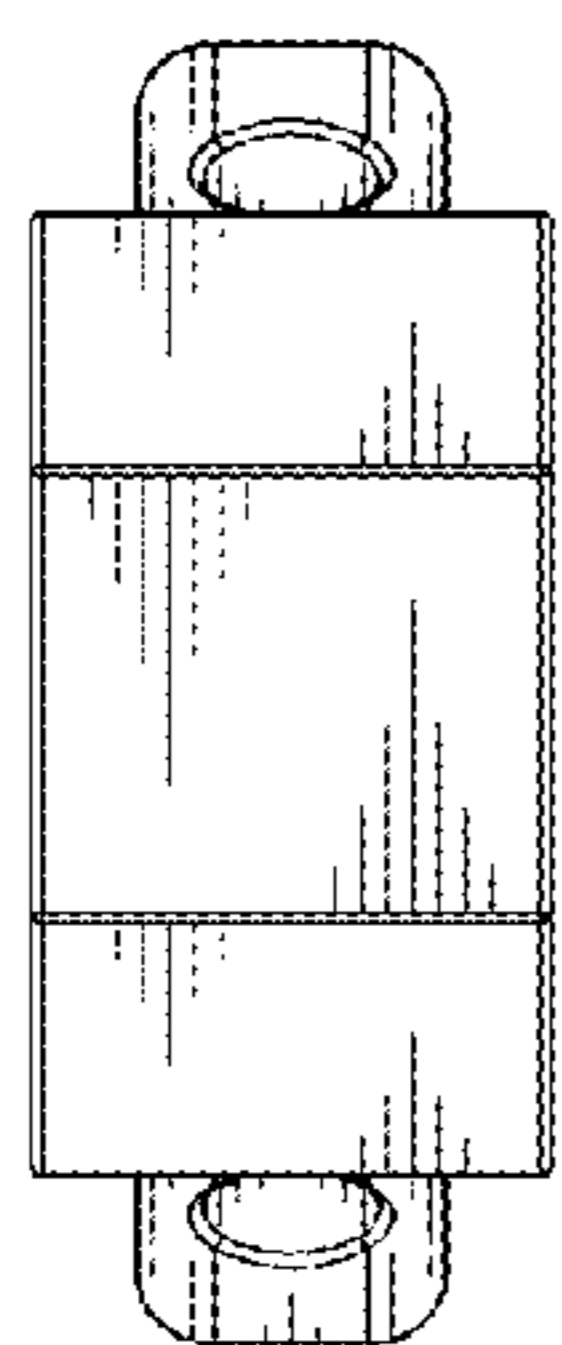


FIG. 23

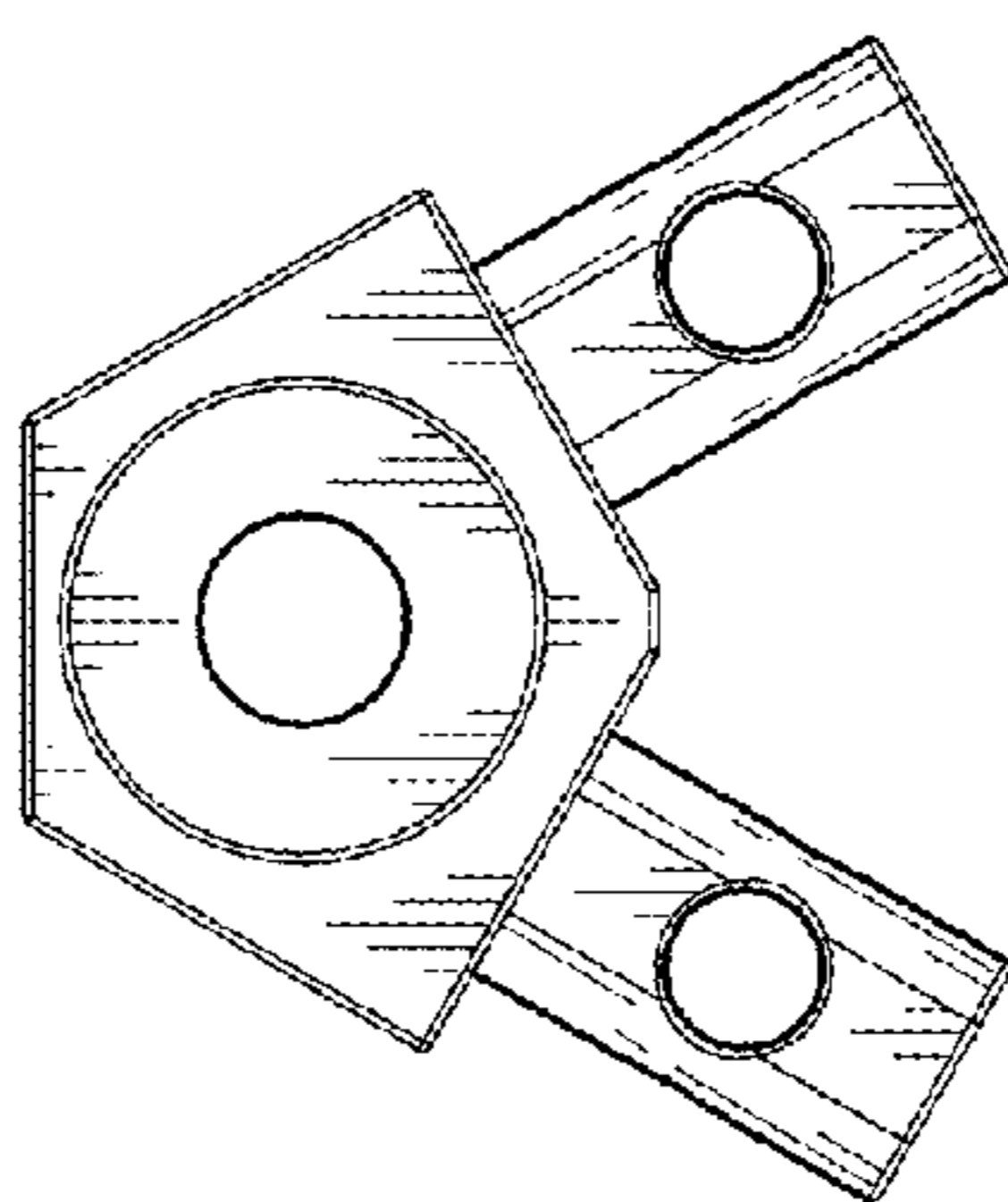


FIG. 21

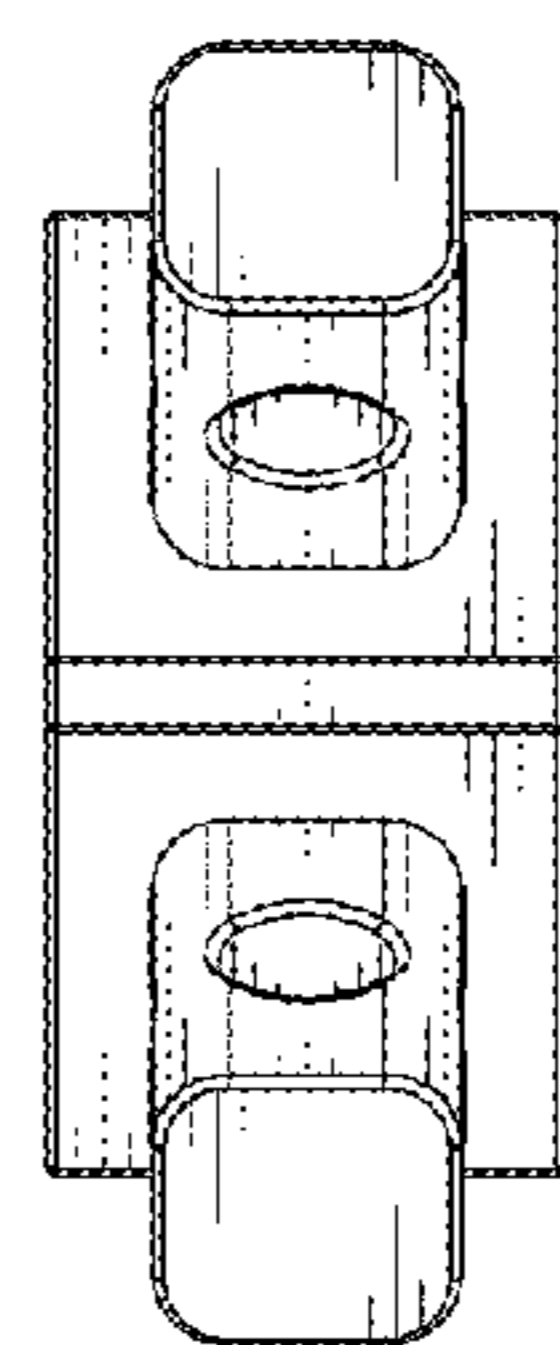


FIG. 24

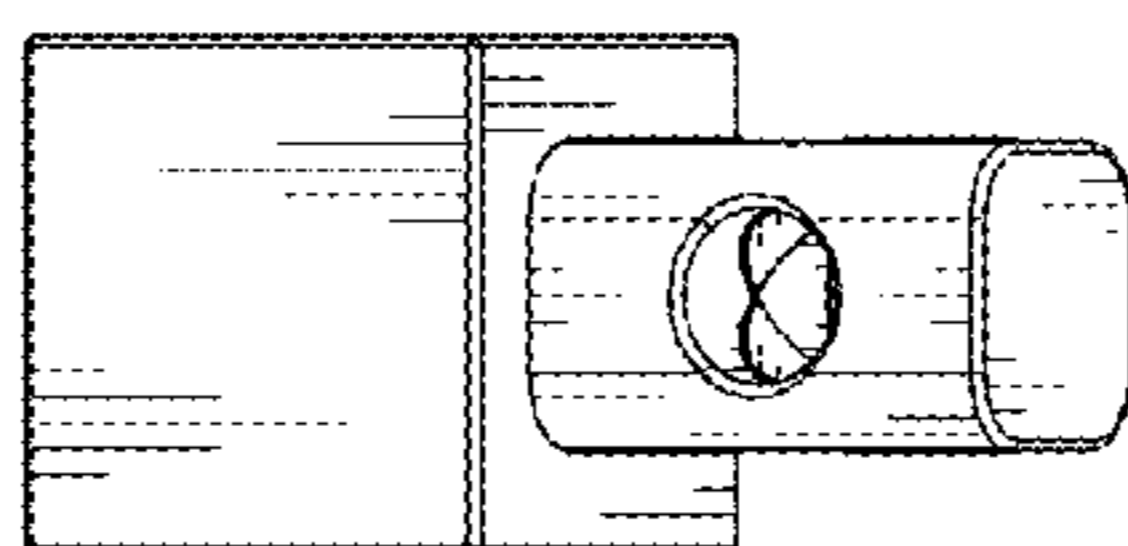


FIG. 22

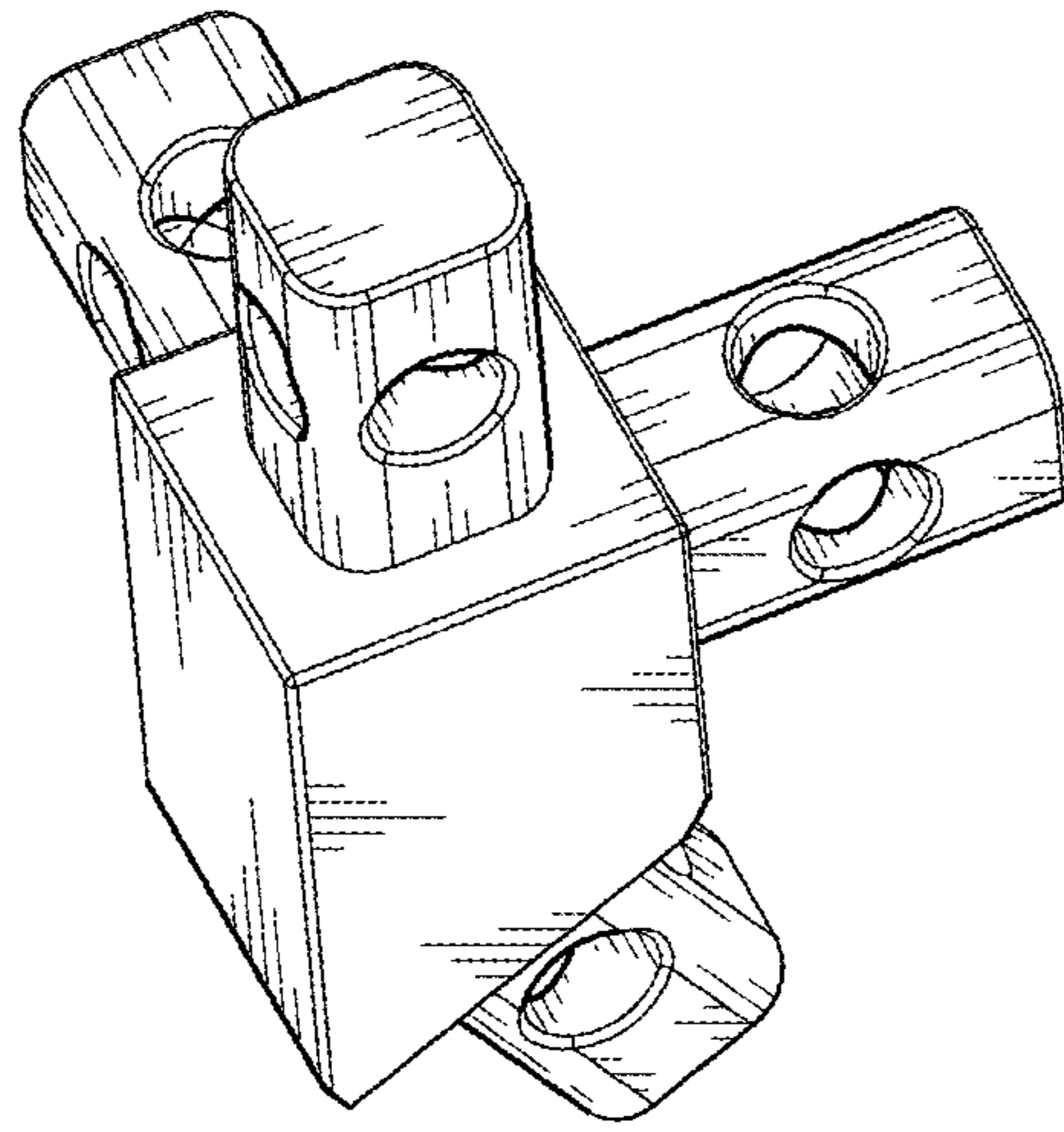


FIG. 25

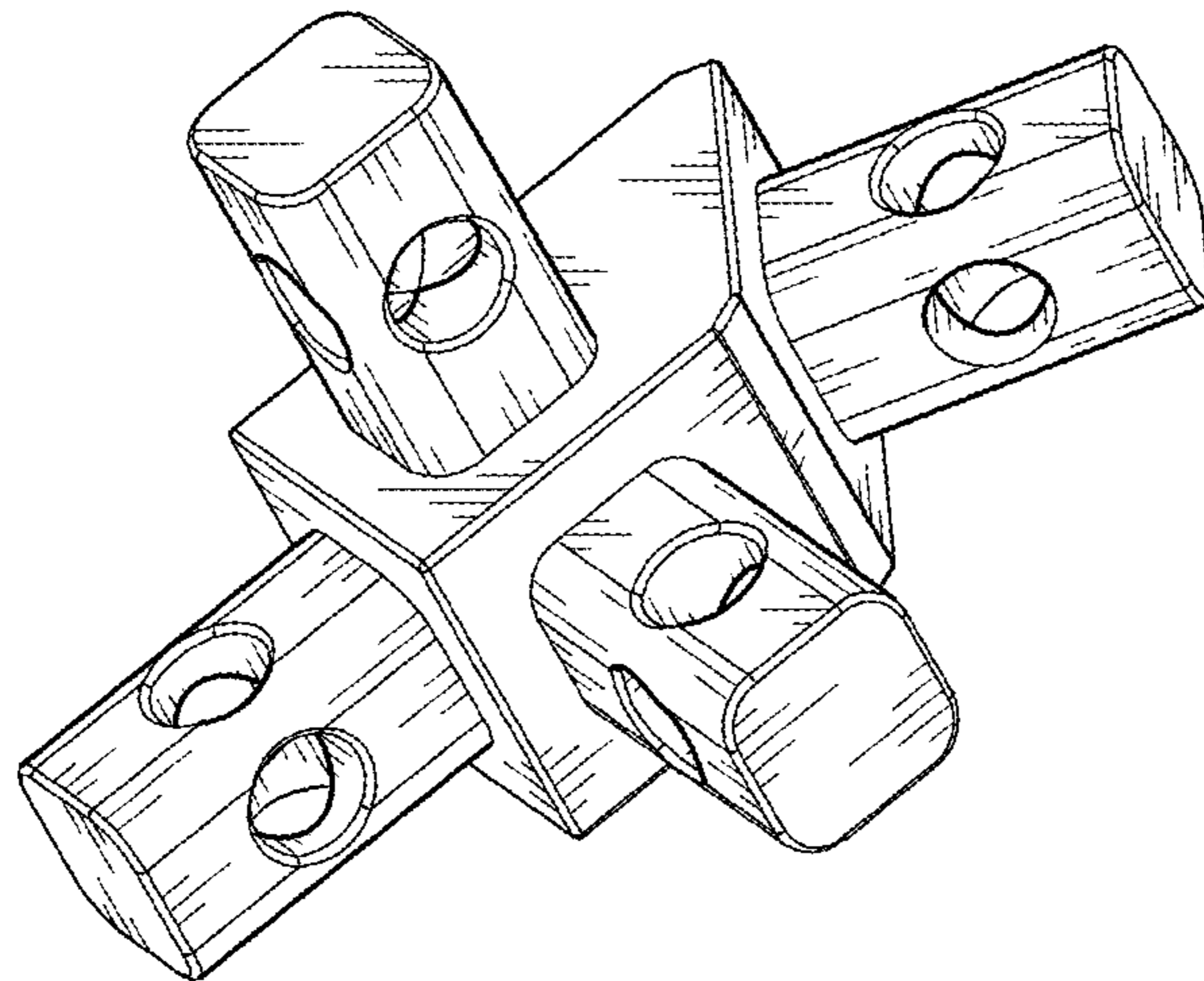


FIG. 26

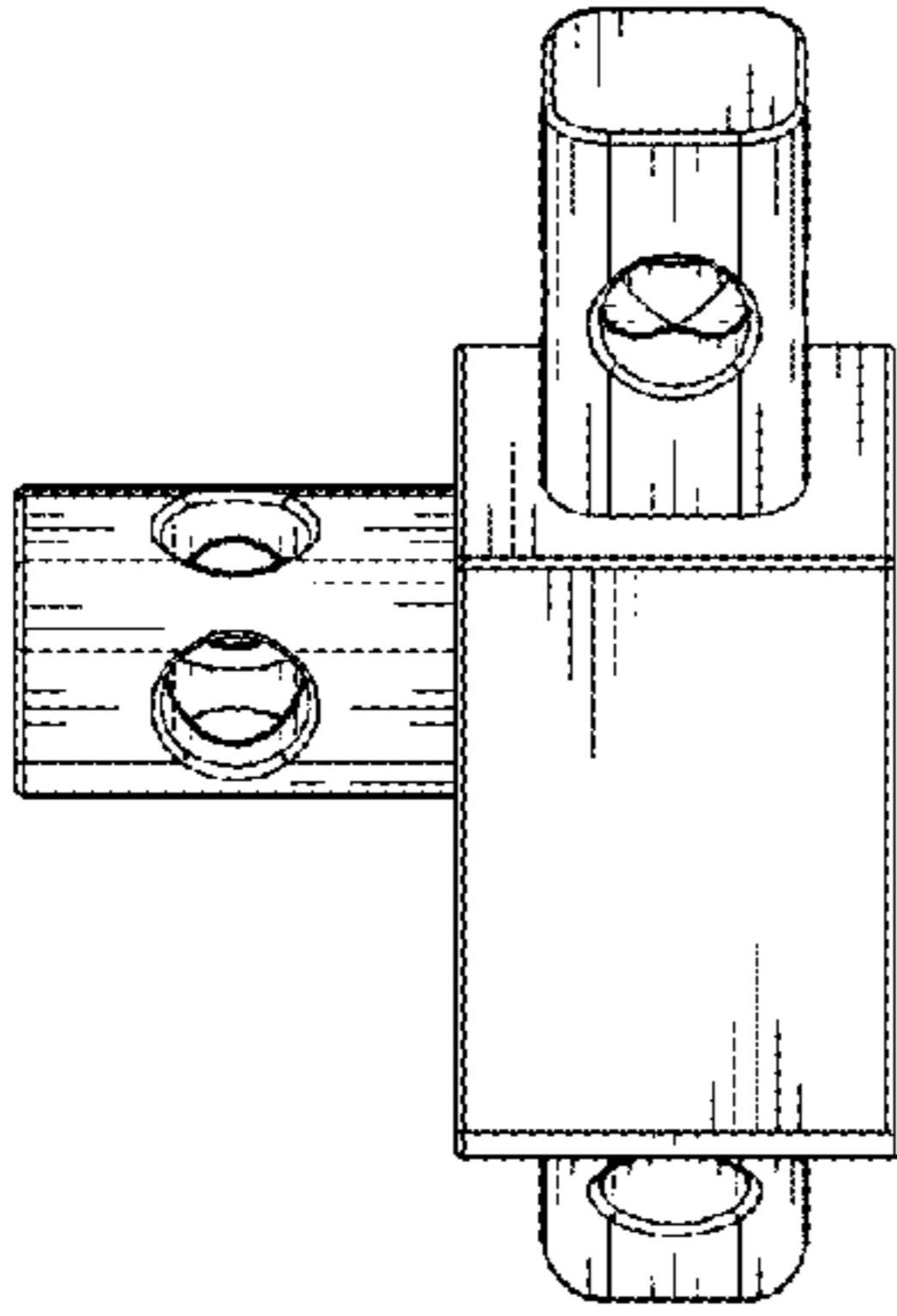


FIG. 31

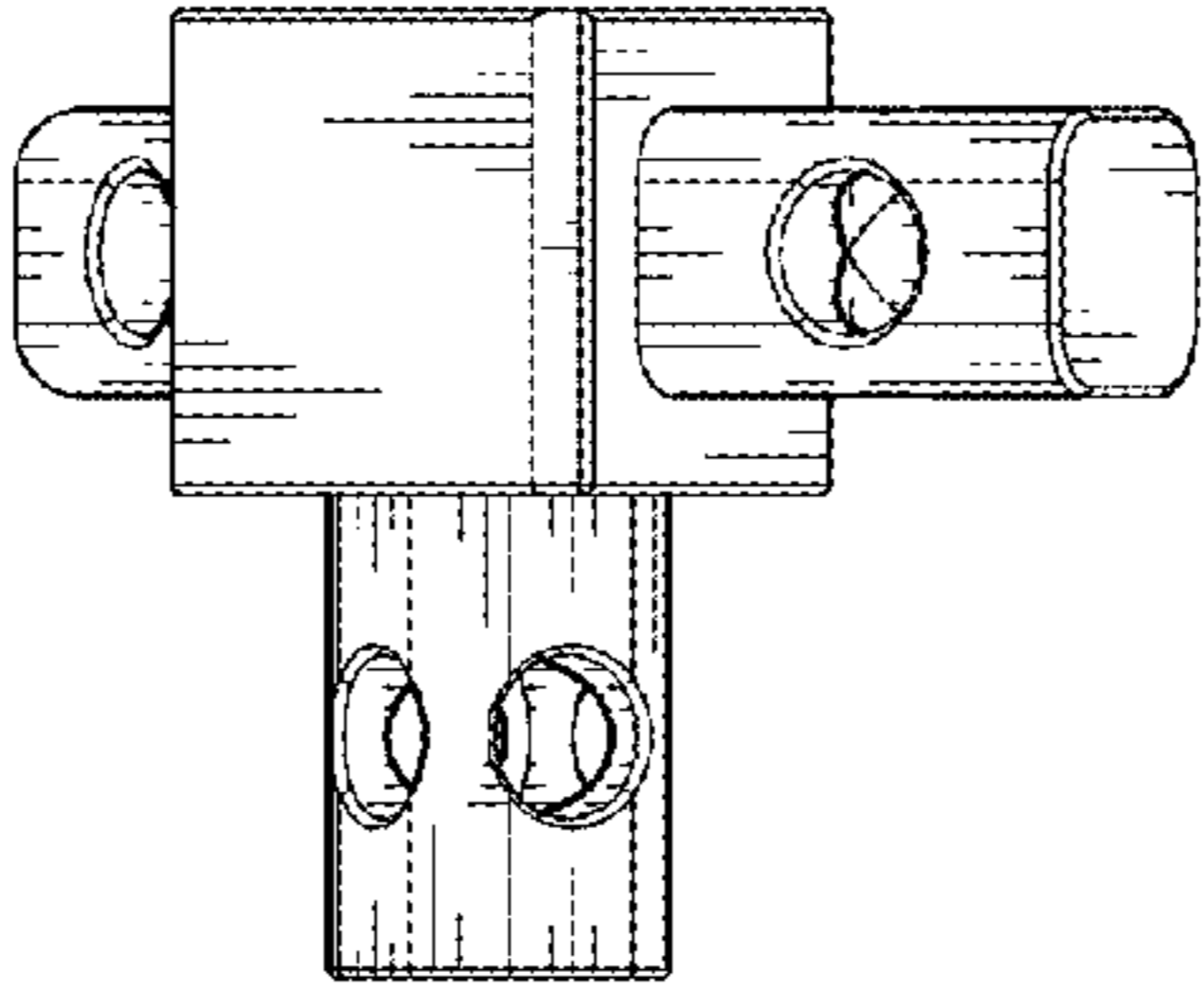


FIG. 29

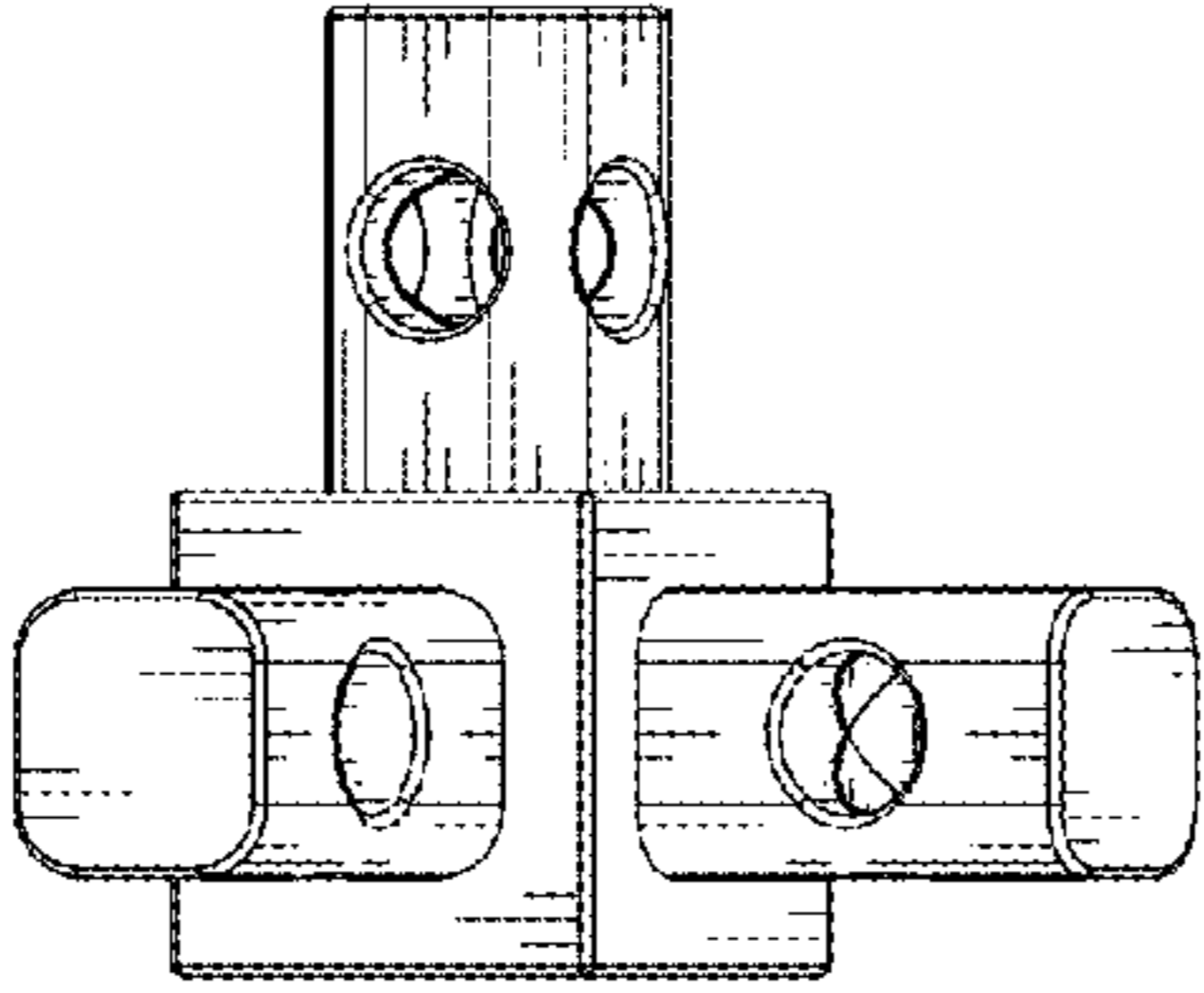


FIG. 30

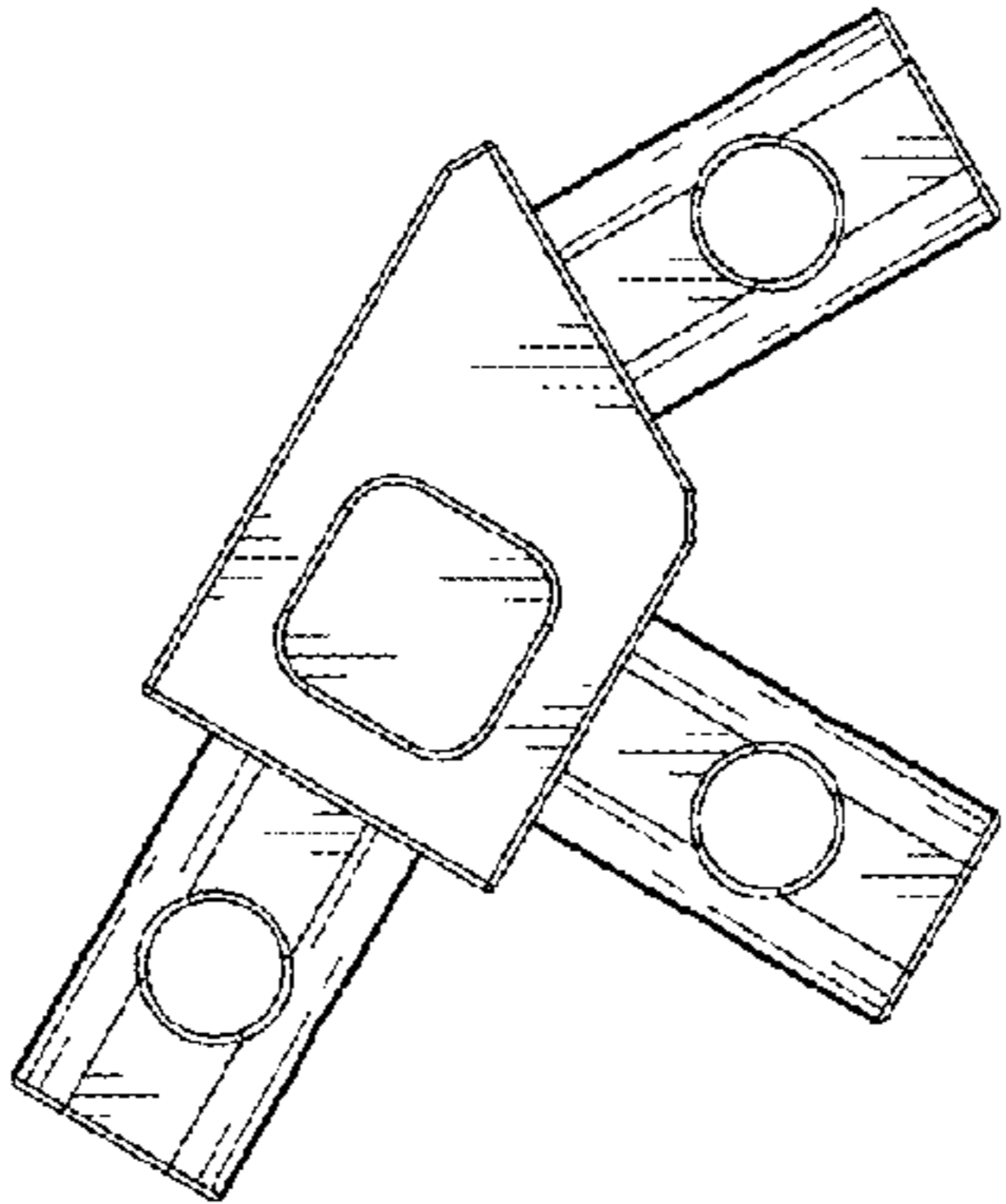


FIG. 28

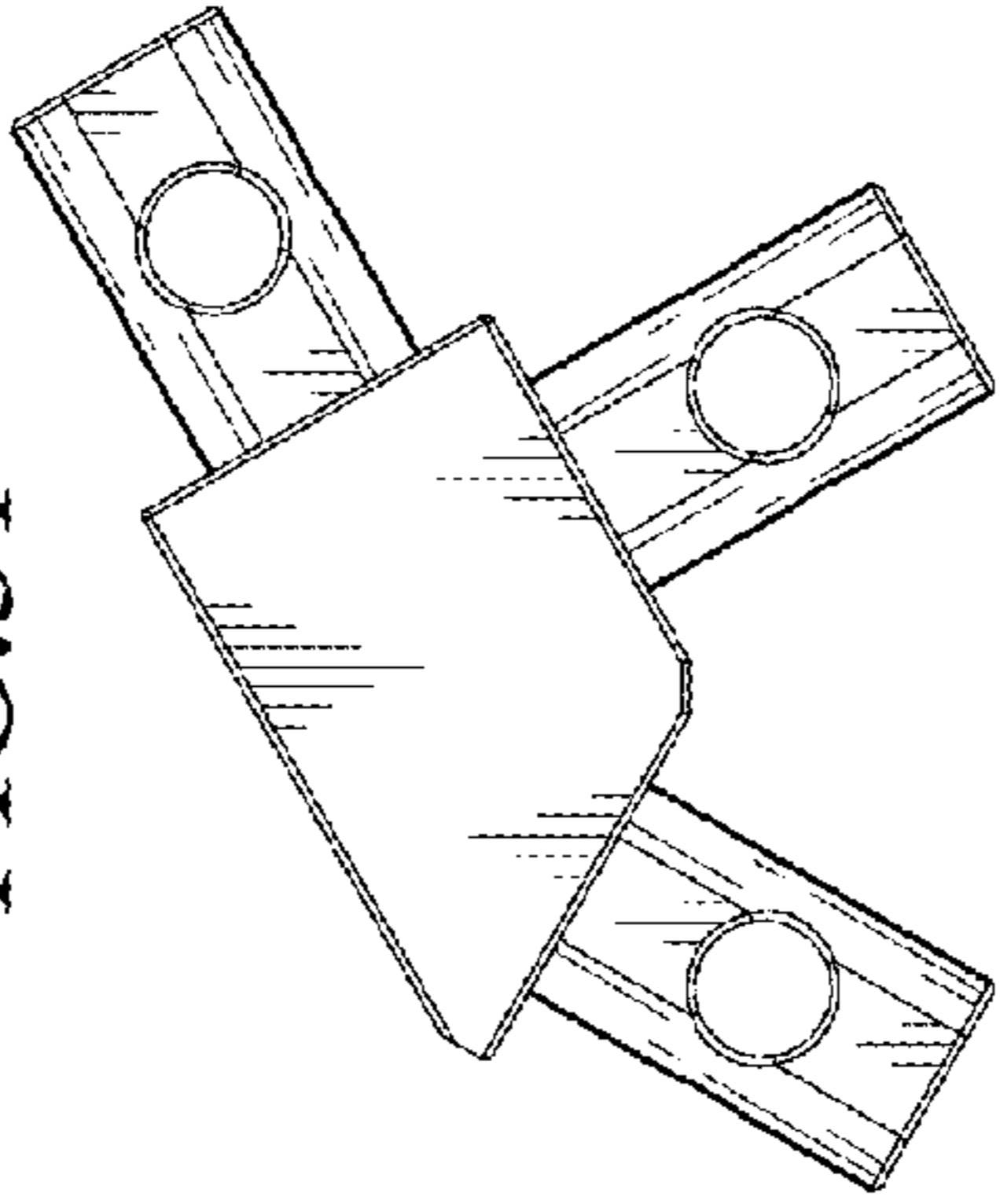


FIG. 27

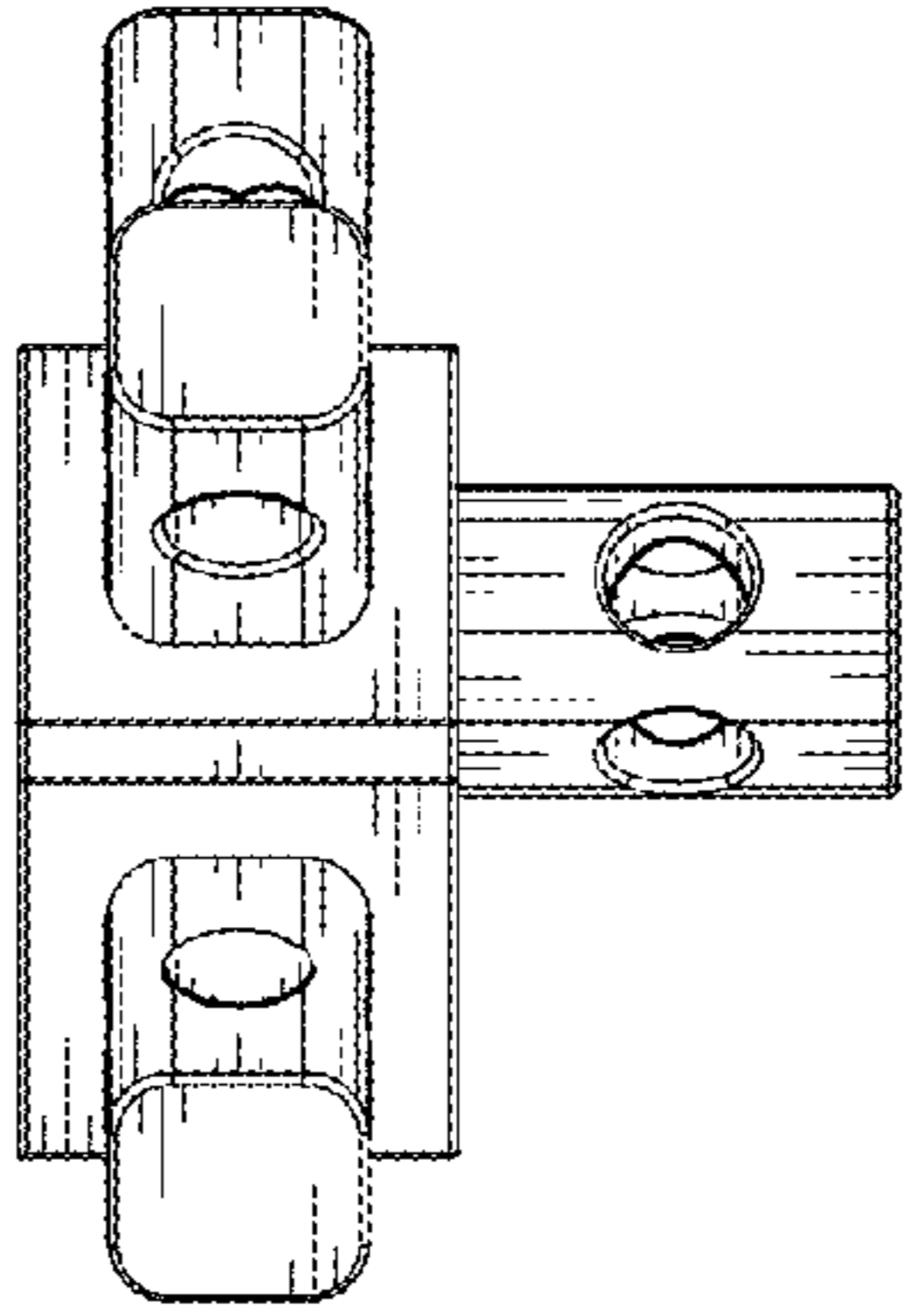


FIG. 32



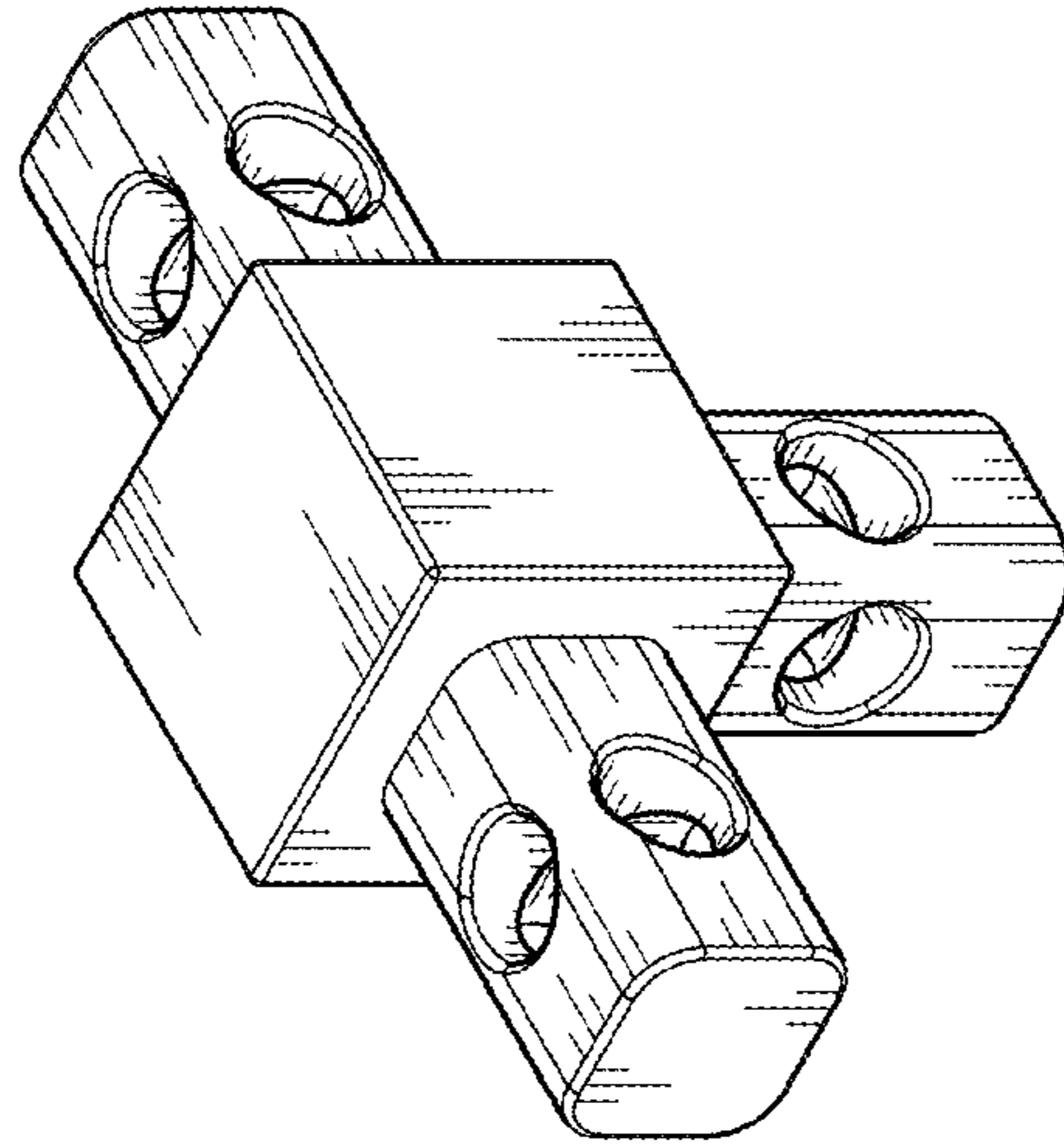


FIG. 33

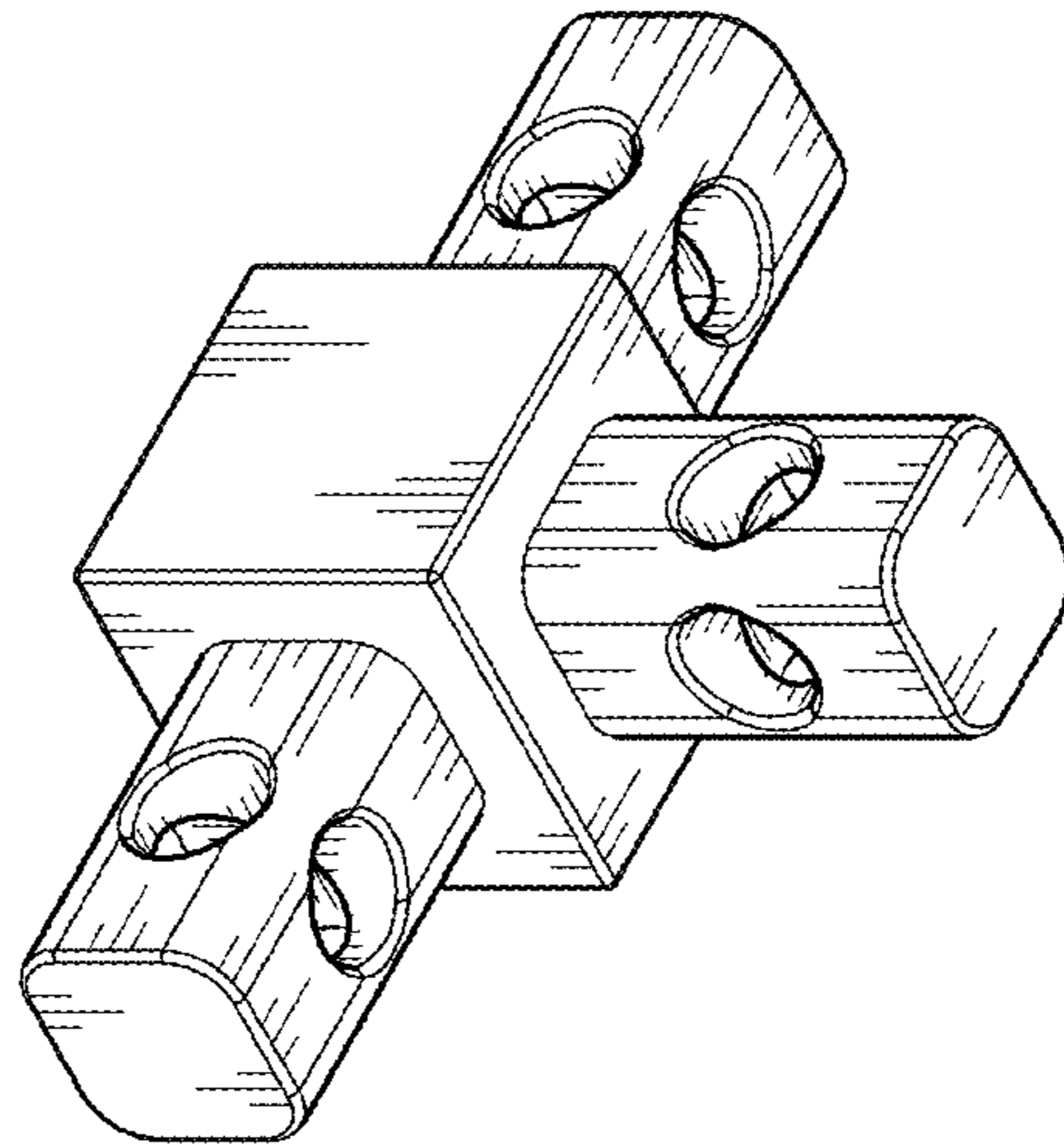


FIG. 34

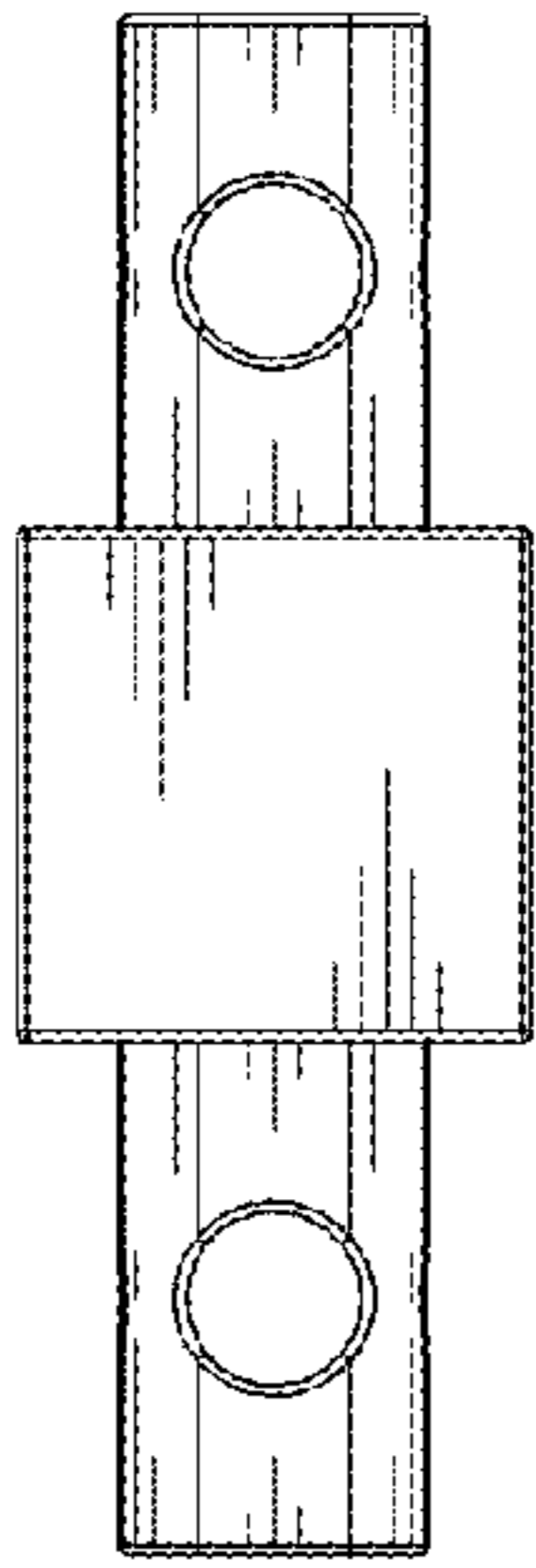


FIG. 37

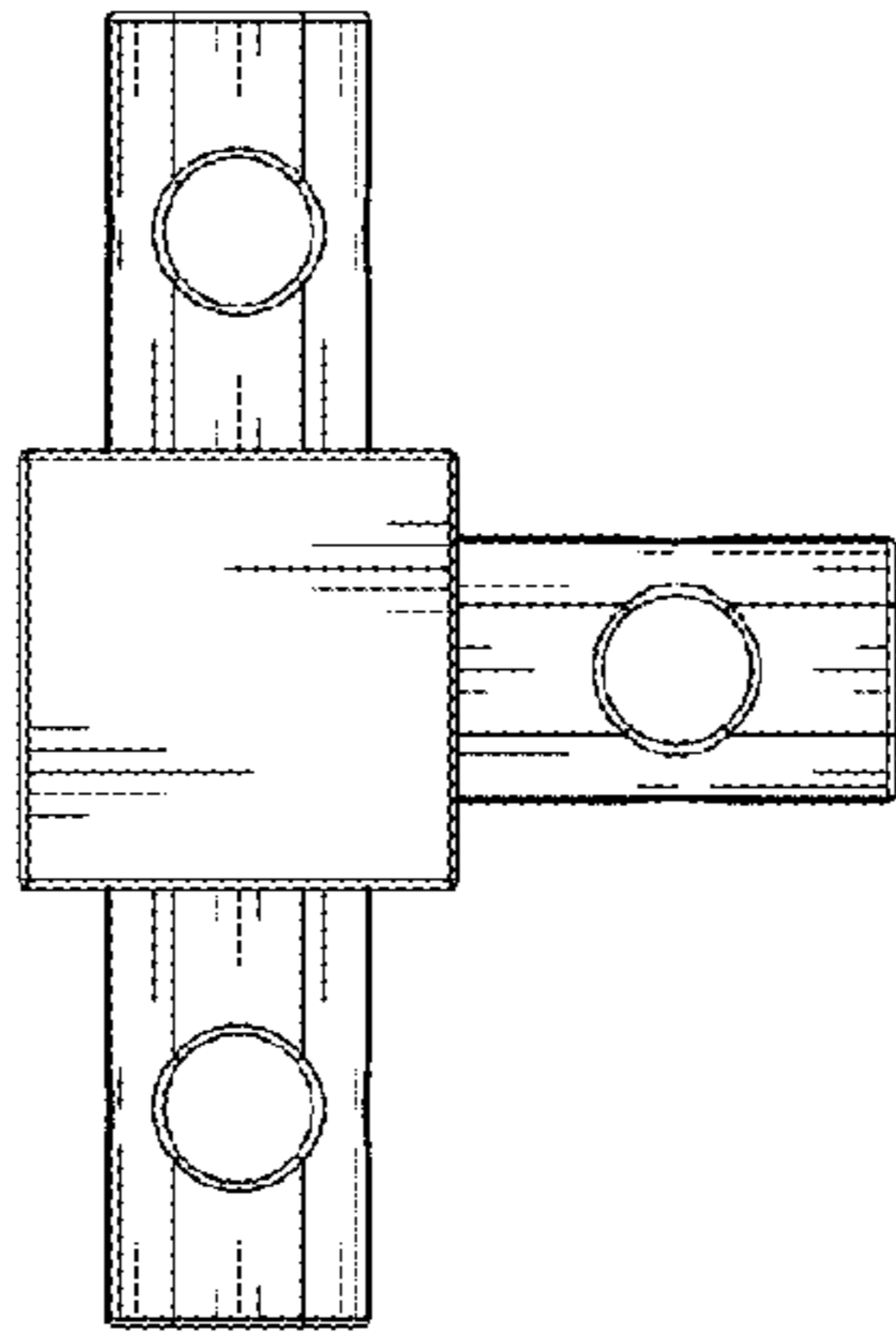


FIG. 35

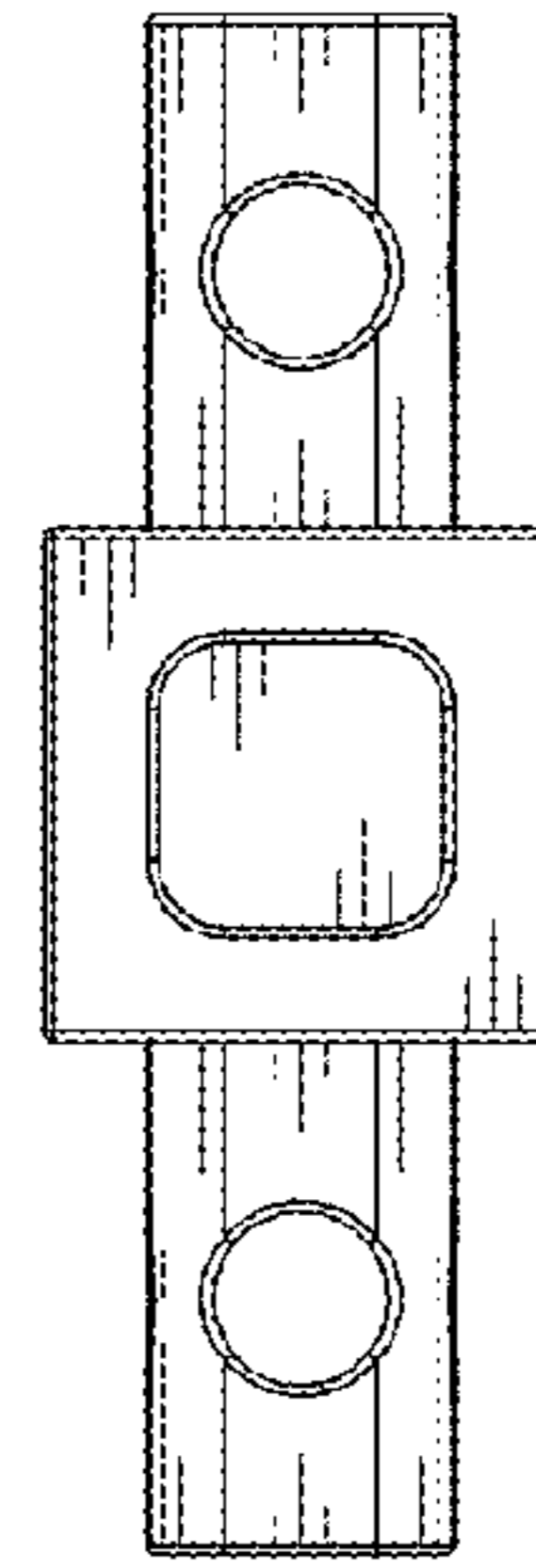


FIG. 38

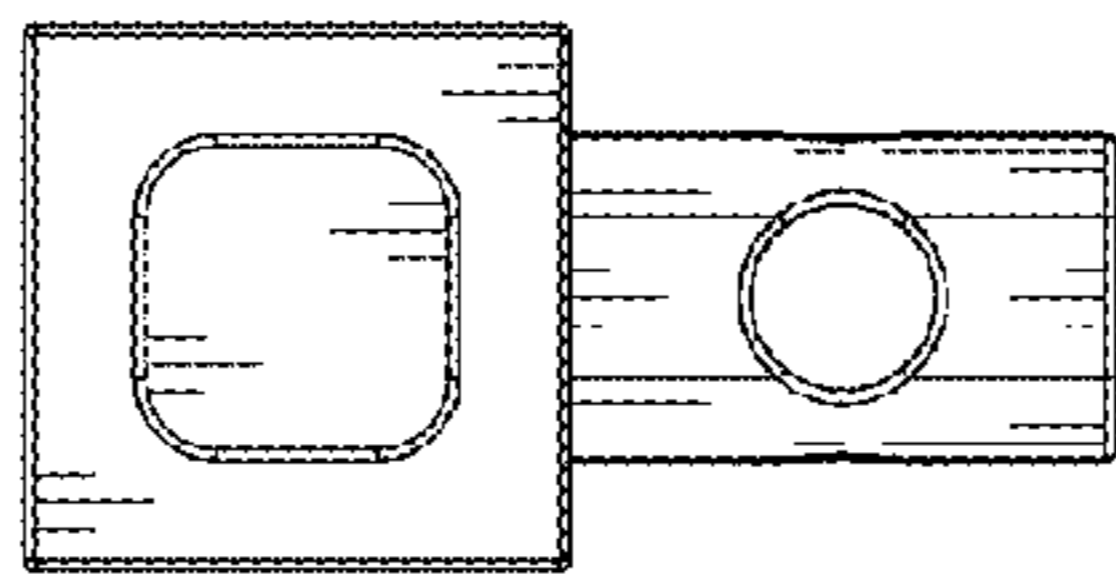


FIG. 36

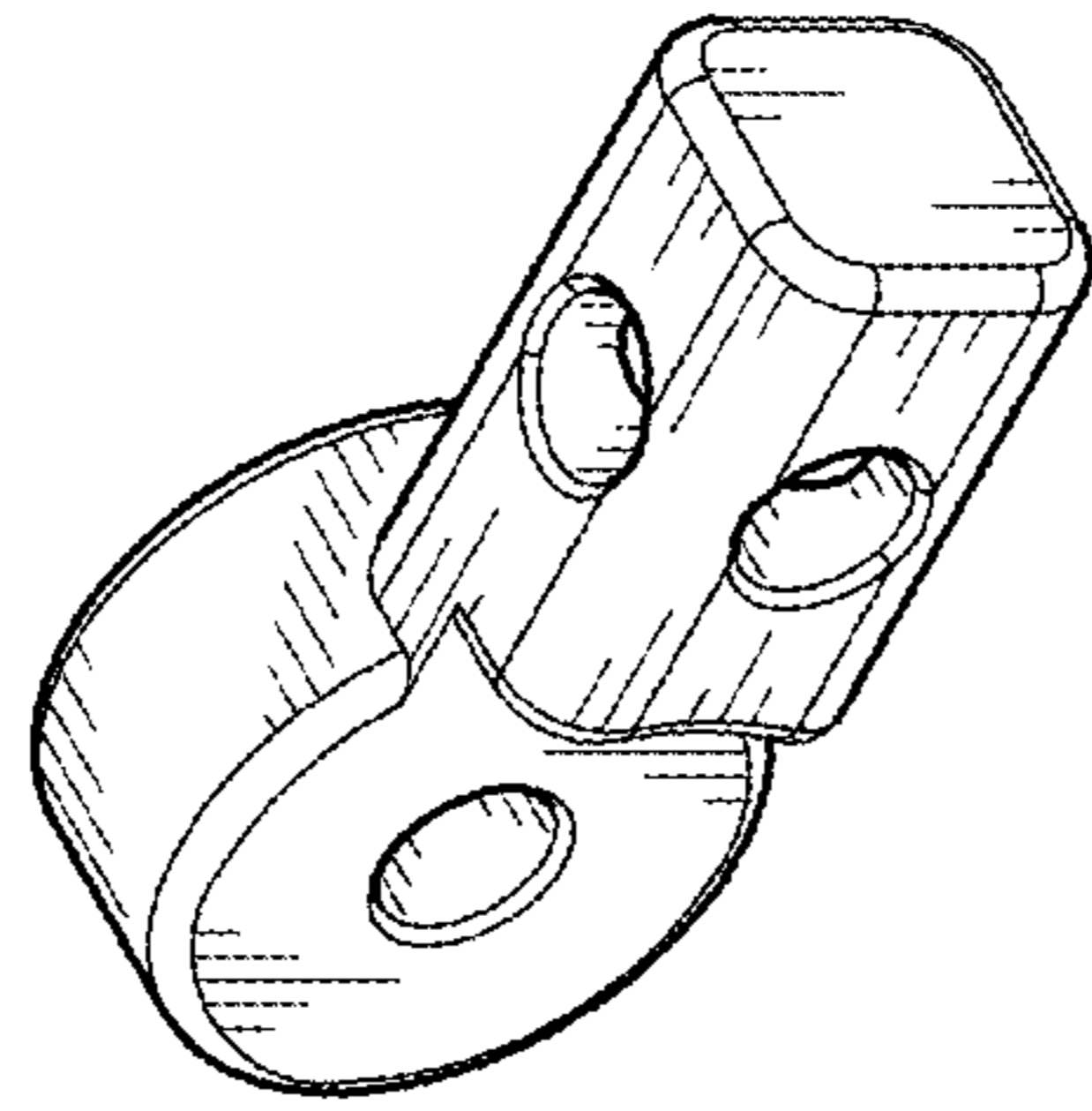


FIG. 39

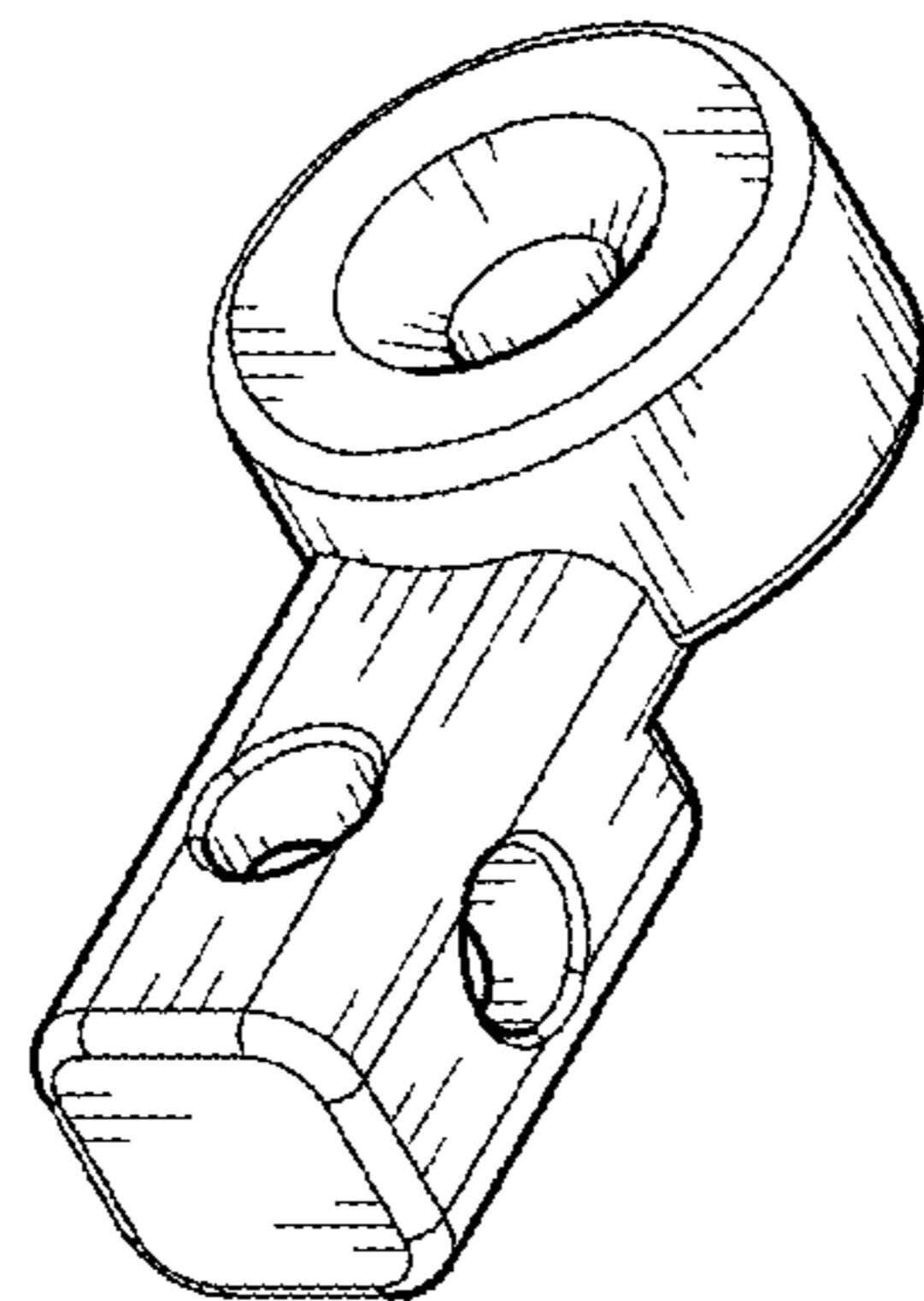


FIG. 40

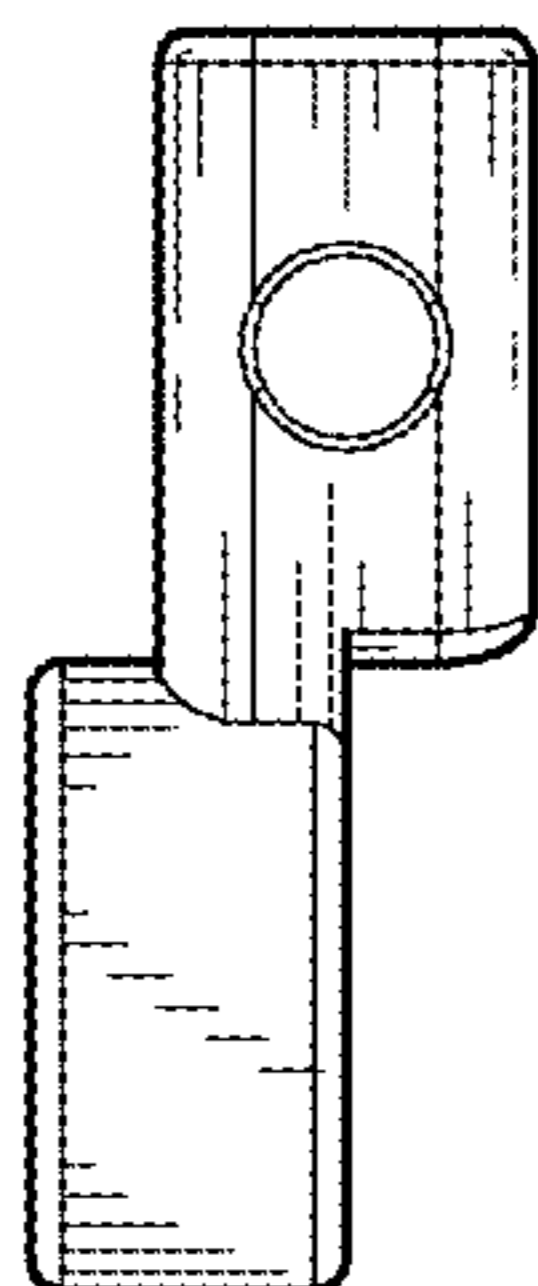


FIG. 45

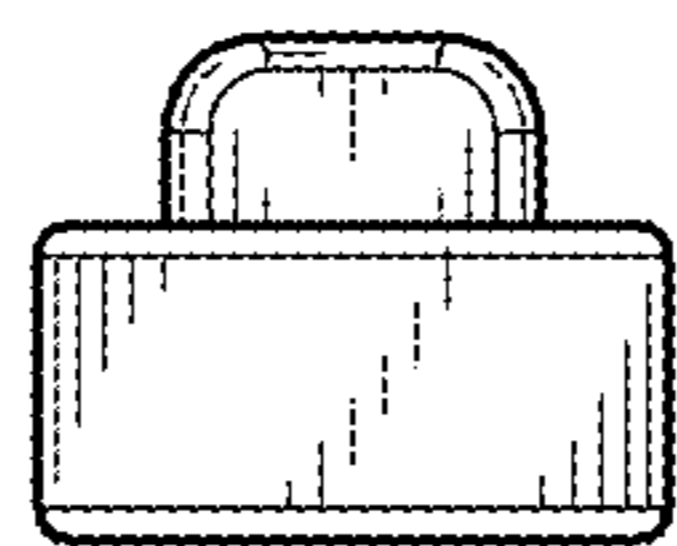


FIG. 43

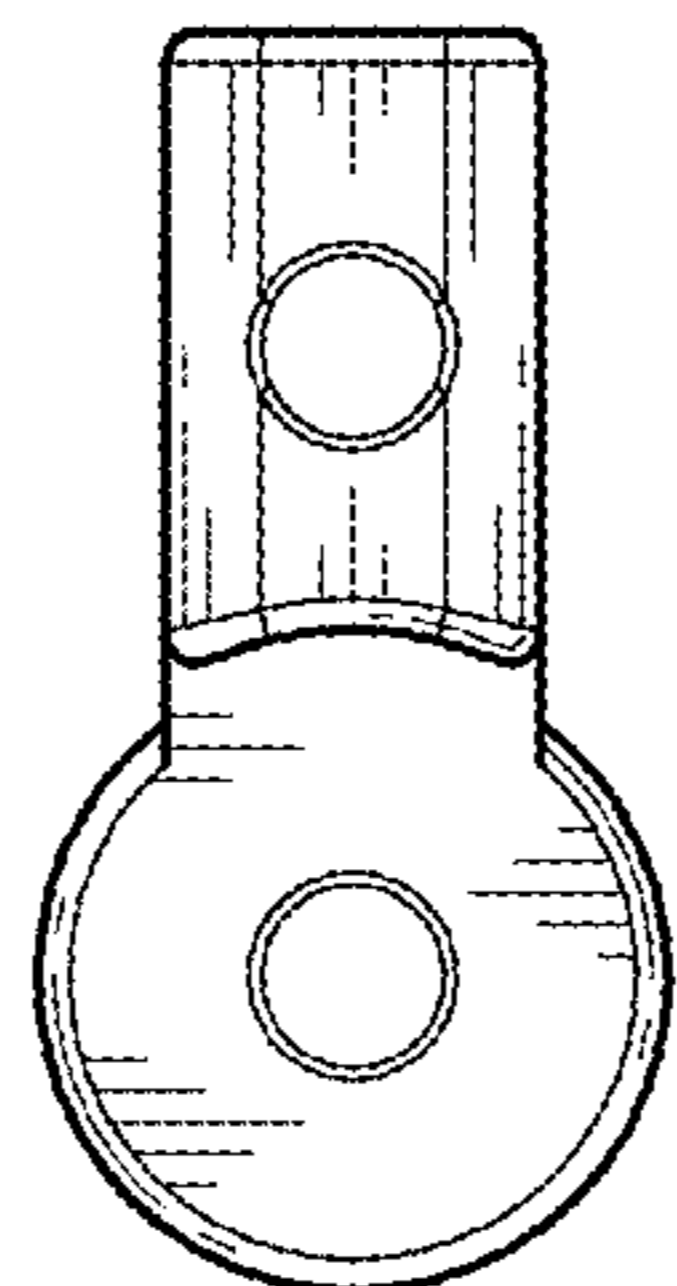


FIG. 41

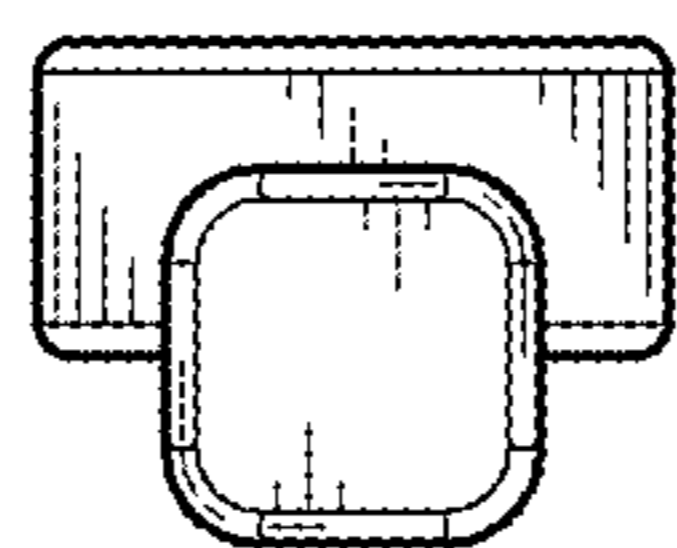


FIG. 44

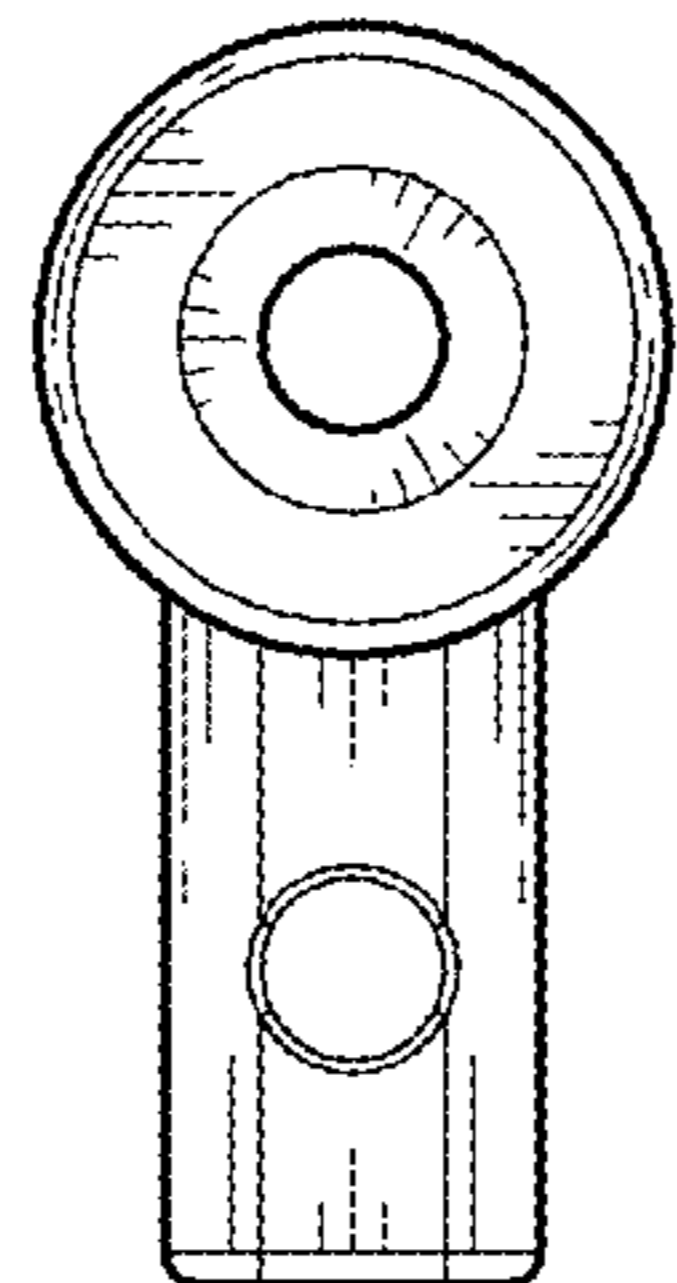


FIG. 42