



US00D724674S

(12) **United States Design Patent**  
**Child**

(10) **Patent No.:** **US D724,674 S**  
(45) **Date of Patent:** **\*\* Mar. 17, 2015**

(54) **PANDA TOY**

(71) Applicant: **Christiane Child**, Queensland (AU)

(72) Inventor: **Christiane Child**, Queensland (AU)

(\*\*) Term: **14 Years**

(21) Appl. No.: **29/489,154**

(22) Filed: **Apr. 28, 2014**

(51) **LOC (10) Cl.** ..... **21-01**

(52) **U.S. Cl.**  
USPC ..... **D21/428**

(58) **Field of Classification Search**  
USPC ..... D21/412, 414, 415, 419, 424, 426, 427,  
D21/428, 503, 592, 604, 605, 831, 832,  
D21/833; 280/1.16, 1.165, 1.167, 1.191,  
280/1.192, 1.22, 1.23, 827, 828, 87.01,  
280/87.021, 87.03

See application file for complete search history.

(56) **References Cited**

**U.S. PATENT DOCUMENTS**

|              |         |               |       |         |
|--------------|---------|---------------|-------|---------|
| D55,009 S *  | 4/1920  | Baier         | ..... | D21/428 |
| D215,224 S   | 9/1969  | Cohn          |       |         |
| D247,862 S   | 5/1978  | Nakao et al.  |       |         |
| D249,029 S   | 8/1978  | Bossons       |       |         |
| D255,916 S * | 7/1980  | Lofton et al. | ..... | D21/832 |
| D287,610 S   | 1/1987  | Nicholls      |       |         |
| D293,330 S * | 12/1987 | Latta, III    | ..... | D21/604 |
| D334,783 S * | 4/1993  | Saunders      | ..... | D21/604 |
| D416,591 S * | 11/1999 | Frederiksen   | ..... | D21/493 |
| D587,322 S   | 2/2009  | Child et al.  |       |         |
| D603,467 S   | 11/2009 | Kelly         |       |         |

|              |         |                 |       |         |
|--------------|---------|-----------------|-------|---------|
| D606,596 S * | 12/2009 | Kruger          | ..... | D21/427 |
| D652,456 S   | 1/2012  | Child et al.    |       |         |
| D653,294 S * | 1/2012  | Loveland et al. | ..... | D21/419 |
| D688,428 S * | 8/2013  | Yueh            | ..... | D32/21  |
| D711,971 S * | 8/2014  | Child           | ..... | D21/428 |

**OTHER PUBLICATIONS**

Notice of Allowance and Fee(s) Due issued by the U.S. Patent and Trademark office for U.S. Appl. No. 29/460,945 on Apr. 8, 2014. Certificate of Registration dated Jan. 17, 2013 for No. 002168179-0001.

\* cited by examiner

*Primary Examiner* — Cynthia M Chin

(74) *Attorney, Agent, or Firm* — The Marbury Law Group, PLLC

(57) **CLAIM**

The ornamental design for a panda toy, as shown and described.

**DESCRIPTION**

FIG. 1 is a front/right side perspective view of the panda toy design.

FIG. 2 is a front view of the panda toy design.

FIG. 3 is a rear view of the panda toy design.

FIG. 4 is a right side view of the panda toy design.

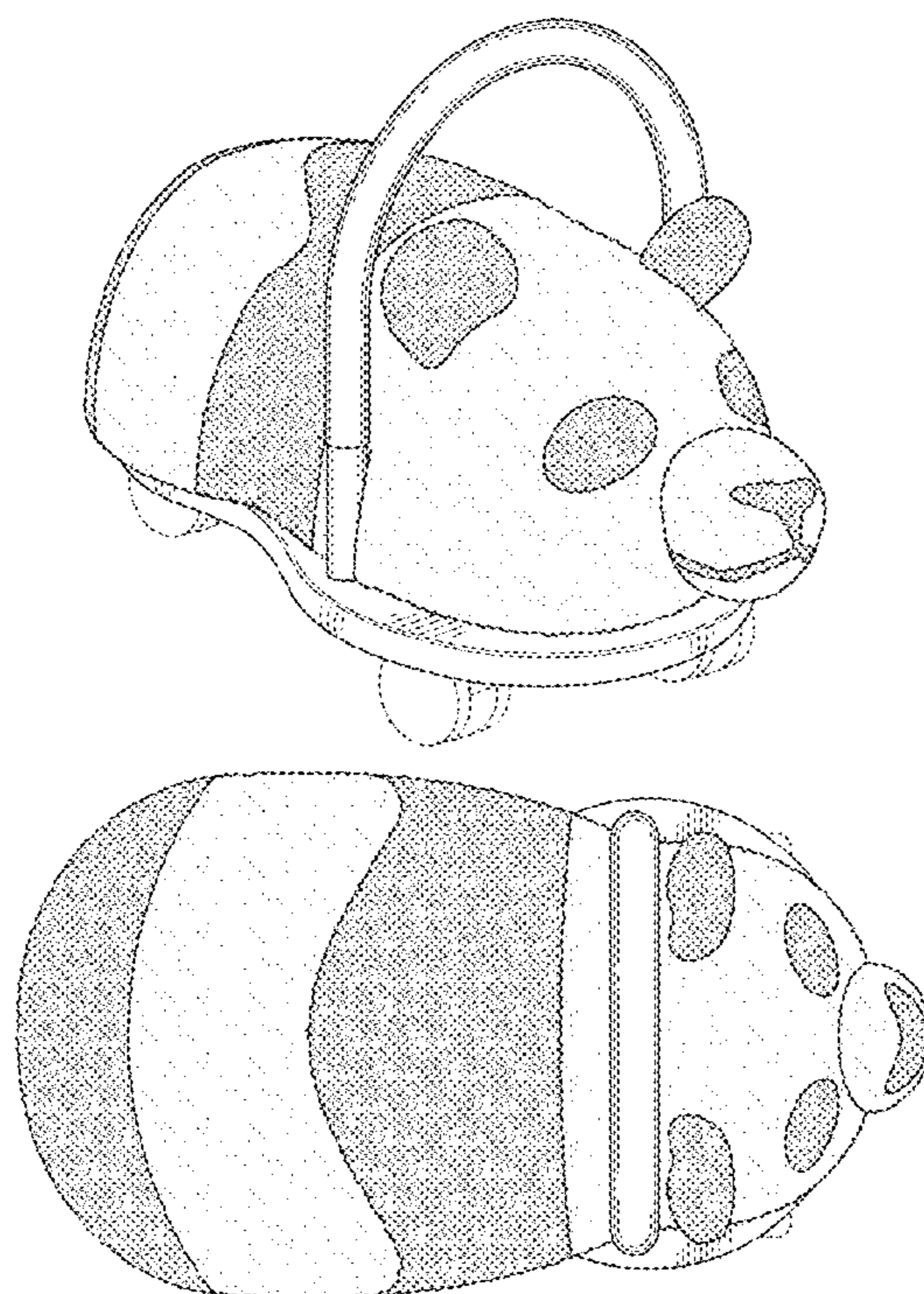
FIG. 5 is a left side view of the panda toy design.

FIG. 6 is a top view of the panda toy design; and,

FIG. 7 is a bottom view of the panda toy design.

The broken lines shown in FIGS. 1-7 represent portions of the panda toy that form no part of the claim.

**1 Claim, 7 Drawing Sheets**



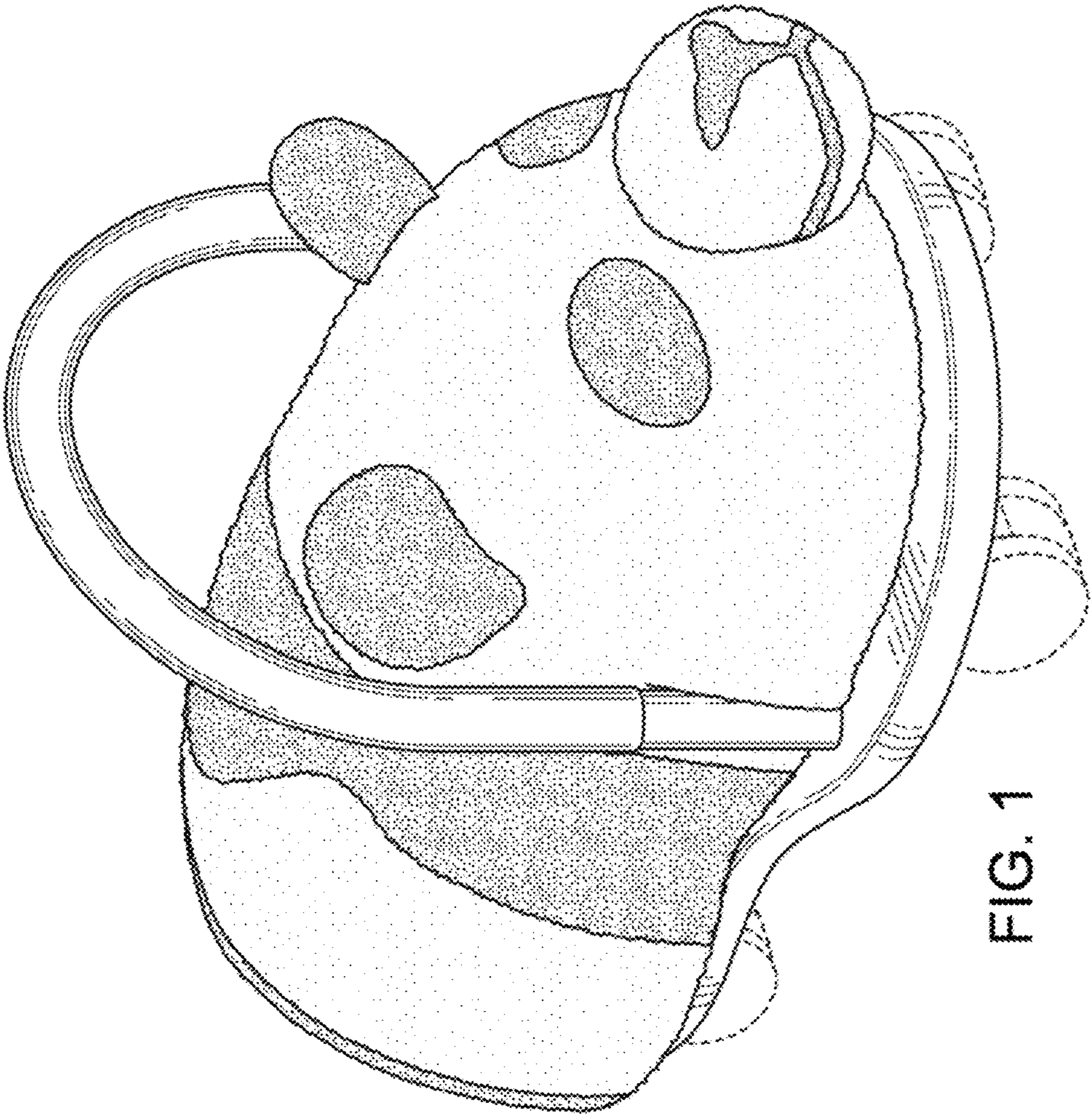


FIG. 1

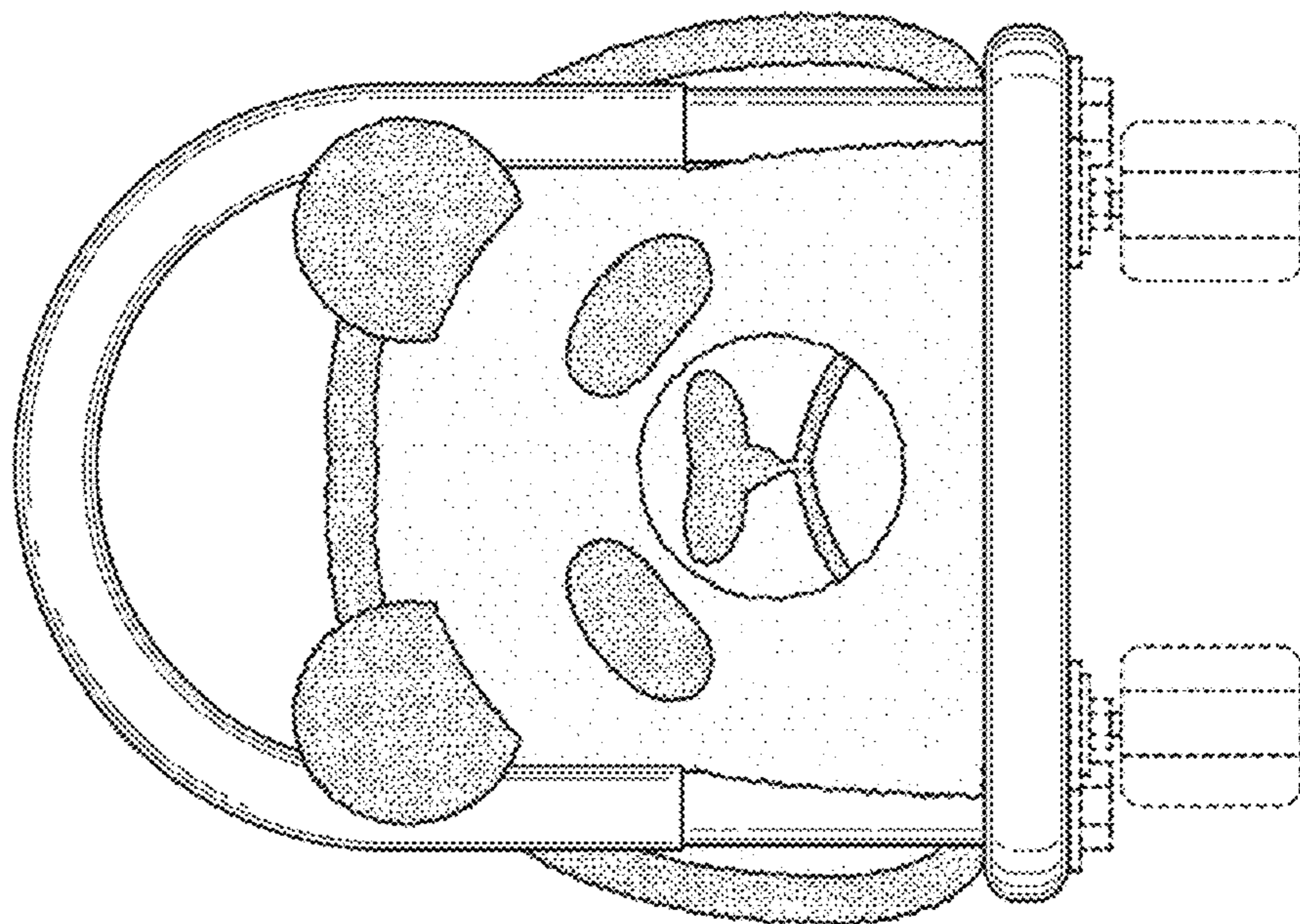


FIG. 2

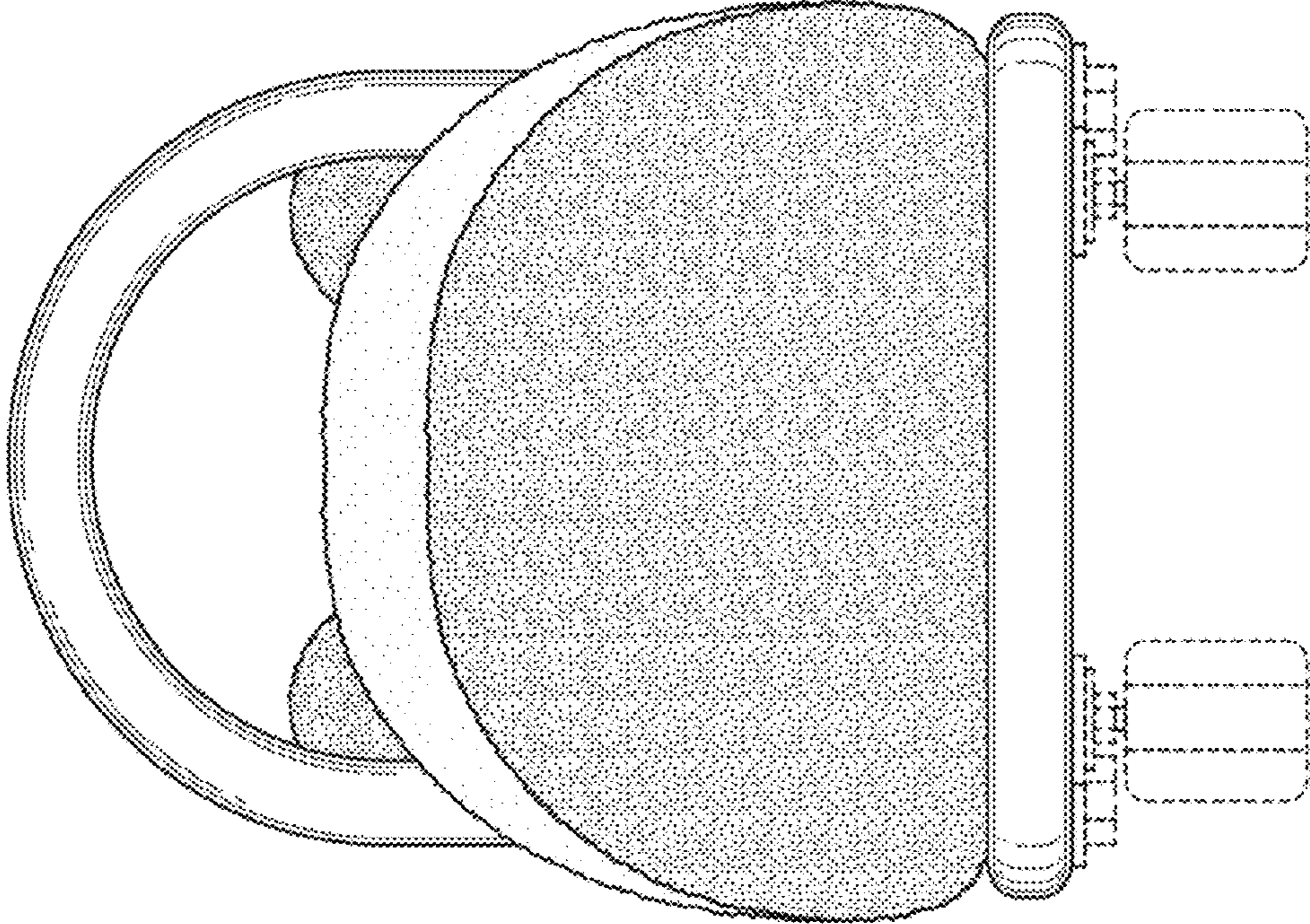


FIG. 3

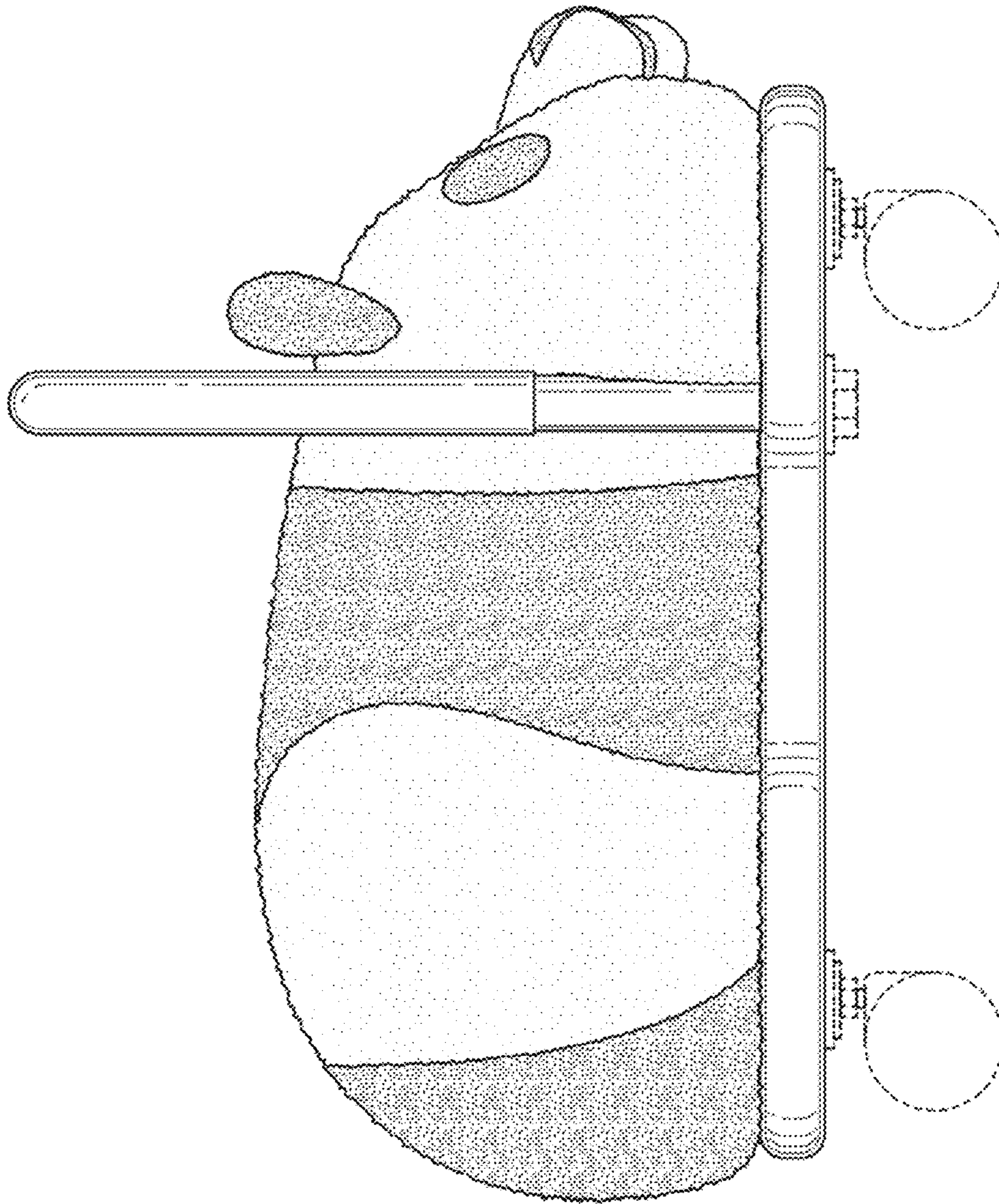


FIG. 4

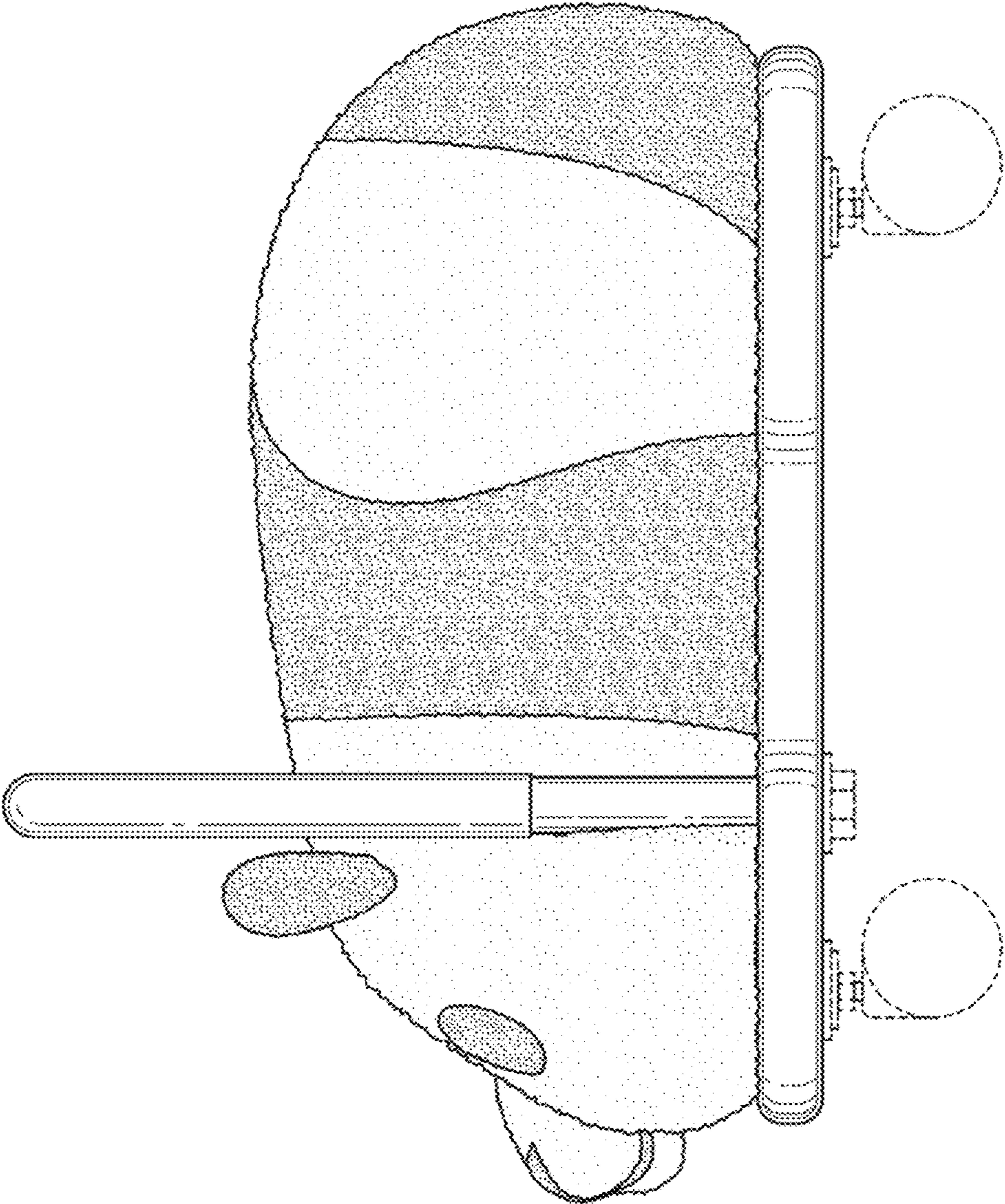


FIG. 5

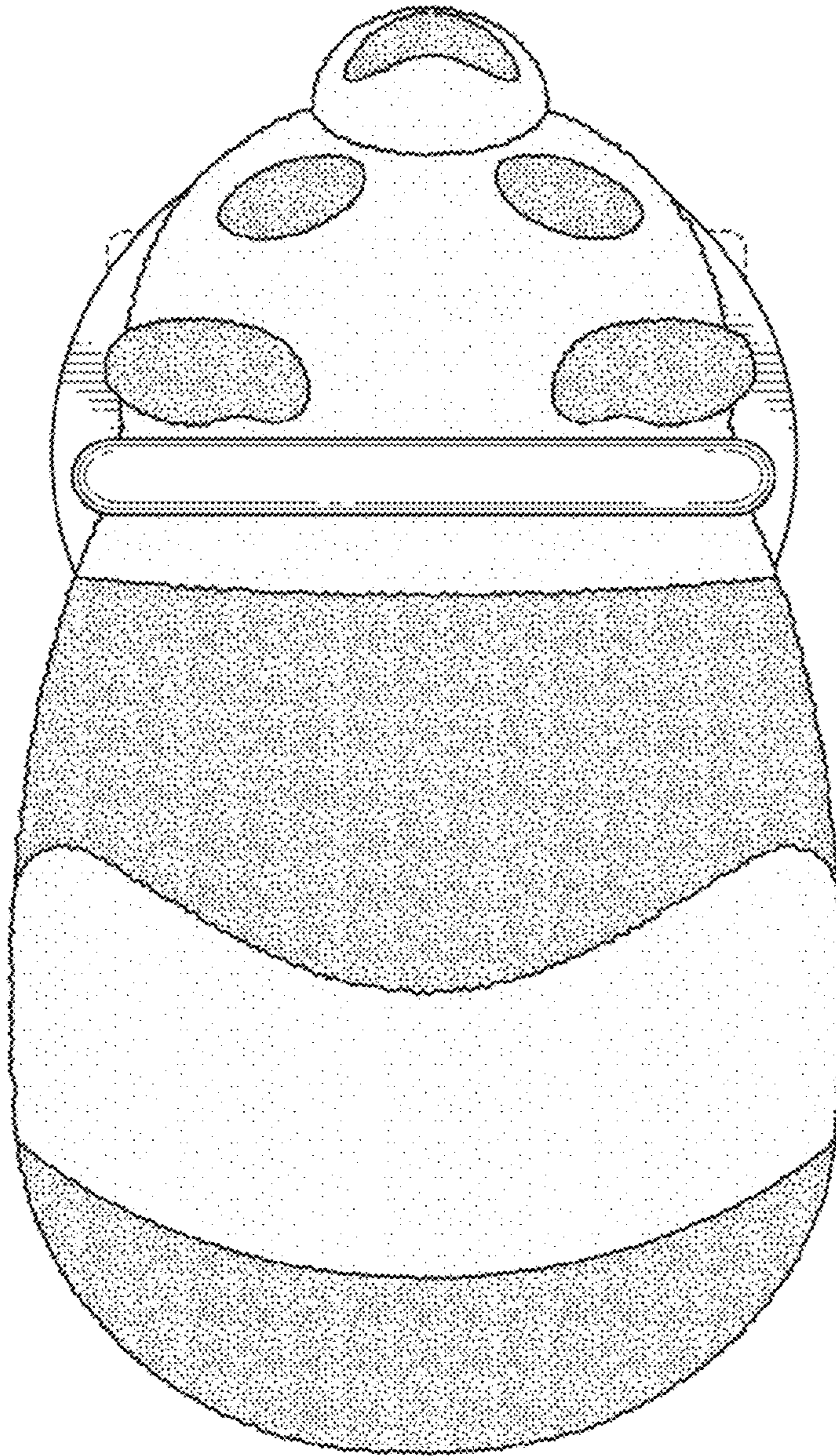


FIG. 6

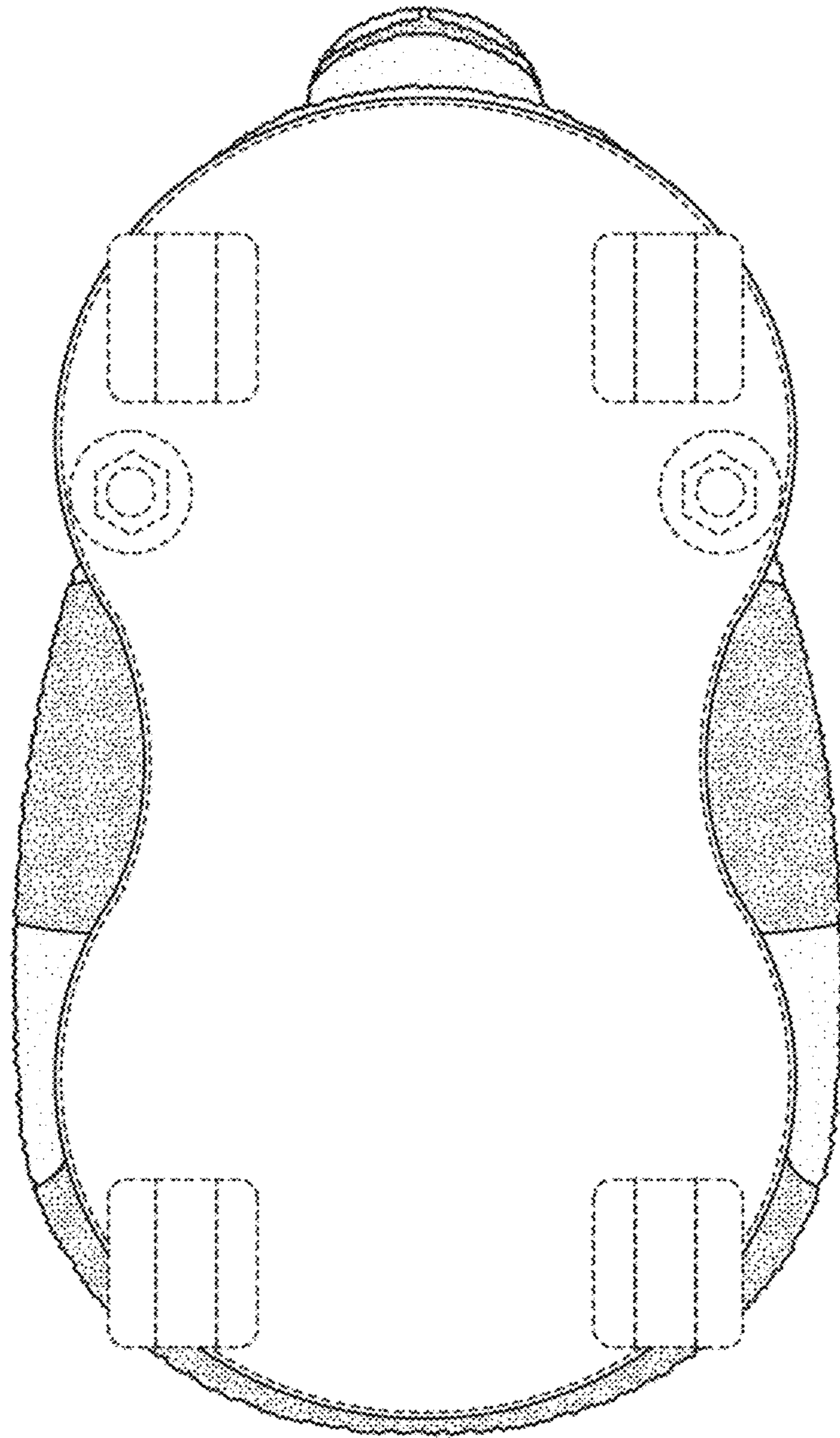


FIG. 7



UNITED STATES PATENT AND TRADEMARK OFFICE  
**CERTIFICATE OF CORRECTION**

PATENT NO. : D724,674 S  
APPLICATION NO. : 29/489154  
DATED : March 17, 2015  
INVENTOR(S) : Christiane Child

Page 1 of 1

It is certified that error appears in the above-identified patent and that said Letters Patent is hereby corrected as shown below:

On the title page after item (22), insert the following:

-- (30) Foreign Application Priority Data

Oct. 31, 2013 (EM) ..... 002336354 --

Signed and Sealed this  
Twenty-third Day of June, 2015



Michelle K. Lee  
*Director of the United States Patent and Trademark Office*