



US00D724671S

(12) **United States Design Patent**
Etherington et al.

(10) **Patent No.:** **US D724,671 S**
(45) **Date of Patent:** **** Mar. 17, 2015**

(54) **POINT OF SALE DISPLAY**

- (71) Applicant: **Conopco, Inc.**, Englewood Cliffs, NJ (US)
- (72) Inventors: **Amy Monica Kempson Etherington**, London (GB); **Thomas Matthew Ward**, London (GB)
- (73) Assignee: **Conopco, Inc.**, Englewood Cliffs, NJ (US)
- (**) Term: **14 Years**
- (21) Appl. No.: **29/439,521**
- (22) Filed: **Dec. 12, 2012**

(30) **Foreign Application Priority Data**

Jun. 18, 2012 (EM) 002059352-0001

- (51) **LOC (10) Cl.** **20-03**
- (52) **U.S. Cl.**
USPC **D20/10**

(58) **Field of Classification Search**

CPC G09F 3/00; G09F 3/02; G09F 3/04; G09F 3/05; G09F 3/06; G09F 3/08; G09F 3/14; G09F 3/18; G09F 3/0288; G09F 3/0289; G09F 3/201; G09F 3/204; G09F 3/207; G09F 1/08; G09F 23/00; G09F 13/22; G09F 2001/10; G09F 19/22; G04B 37/1413
USPC D20/10, 19, 22-28, 40-44, 99; 40/124.01-124.09, 124.11-124.19, 40/124.191, 299.01, 334, 446, 538, 541, 40/584, 605, 611.01, 612, 615, 617, 647, 40/648, 658; D10/109.1, 109.2, 113.4; 362/812; 283/56, 71, 81

See application file for complete search history.

(56) **References Cited**

U.S. PATENT DOCUMENTS

D25,274	S	*	3/1896	Deveaux	D20/22
1,730,007	A	*	10/1929	Hemenway	40/658
1,832,318	A	*	11/1931	Myers	40/334
D378,221	S	*	2/1997	Issler	D20/22
D519,161	S	*	4/2006	Miller	D20/43
D574,893	S	*	8/2008	Bucolo et al.	D20/10
D650,015	S	*	12/2011	Richter	D20/10
D682,665	S	*	5/2013	Meyer	D8/395
D685,188	S	*	7/2013	Etherington et al.	D3/306
D686,018	S	*	7/2013	Etherington et al.	D7/600.1
2007/0277409	A1	*	12/2007	Yen	40/468
2008/0040963	A1	*	2/2008	Ochs et al.	40/658
2008/0066358	A1	*	3/2008	Bhavnani	40/658

* cited by examiner

Primary Examiner — Mary Ann Calabrese

(74) *Attorney, Agent, or Firm* — Gerard J. McGowan, Jr.

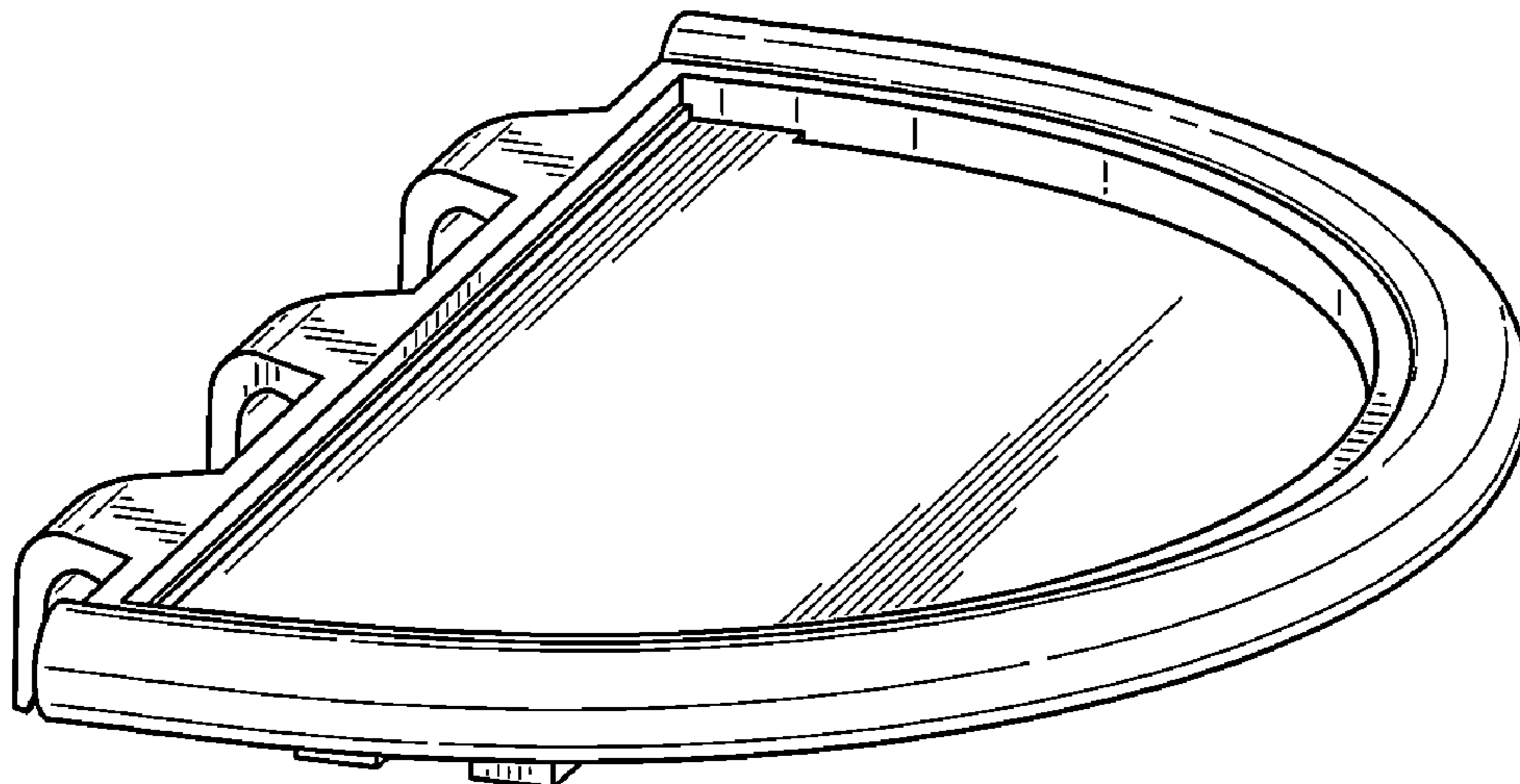
(57) **CLAIM**

The ornamental design for a point of sale display, as shown and described.

DESCRIPTION

FIG. 1 is a front perspective view of a point of sale display showing our new design;
 FIG. 2 is a right side elevational view thereof;
 FIG. 3 is a left side elevational view thereof;
 FIG. 4 is a rear elevational view thereof;
 FIG. 5 is a front elevational view thereof;
 FIG. 6 is a top plan view thereof; and,
 FIG. 7 is a bottom plan view thereof.

1 Claim, 3 Drawing Sheets



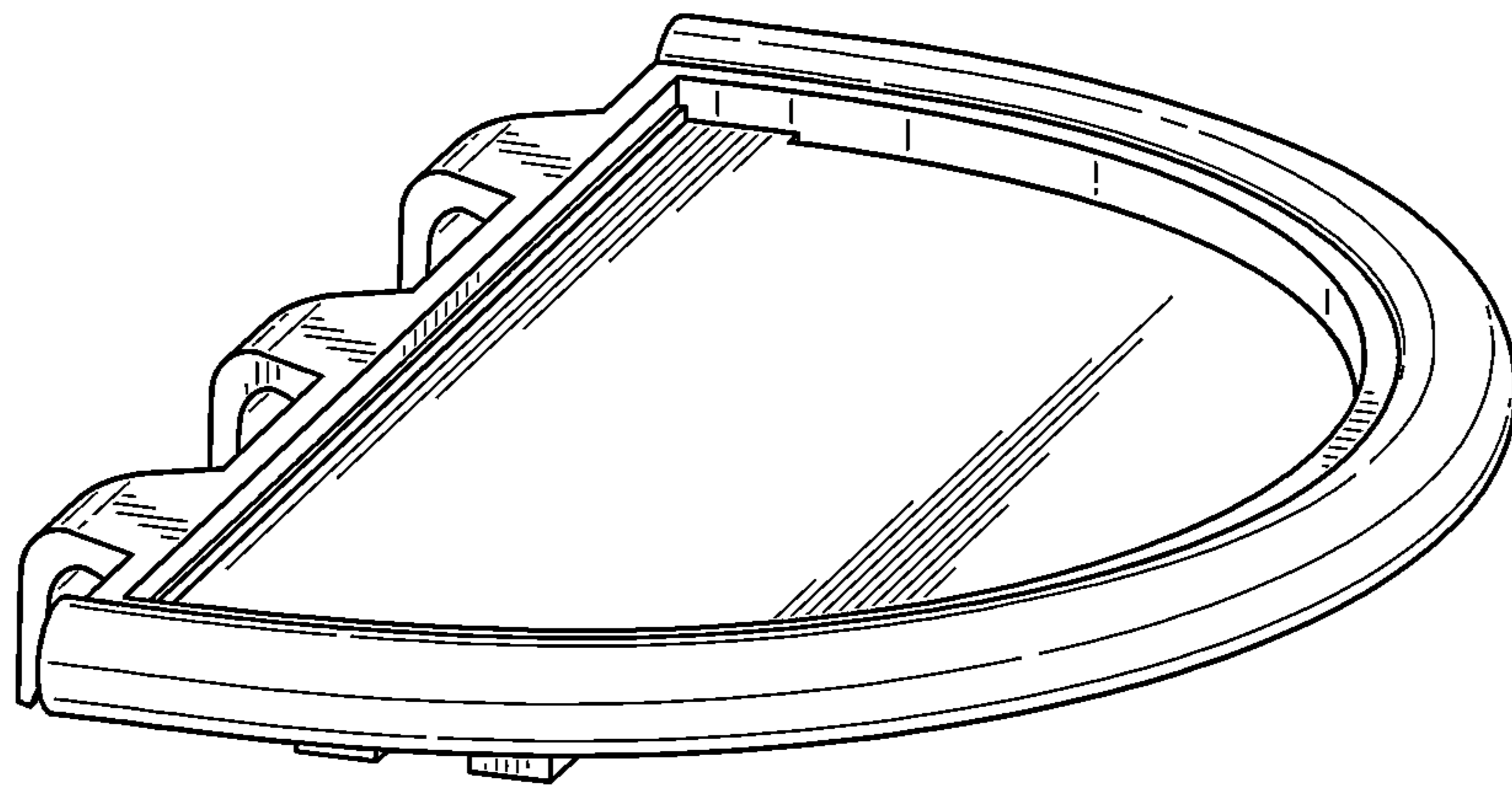


Fig. 1

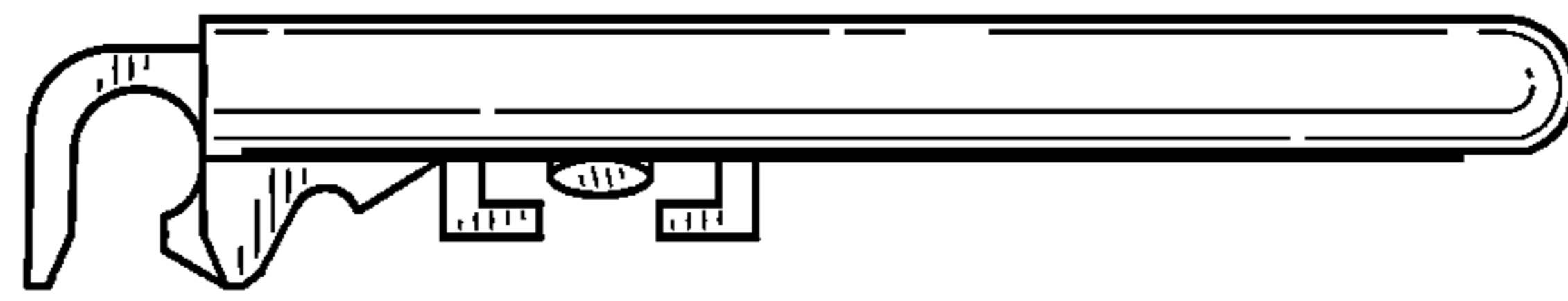


Fig. 2

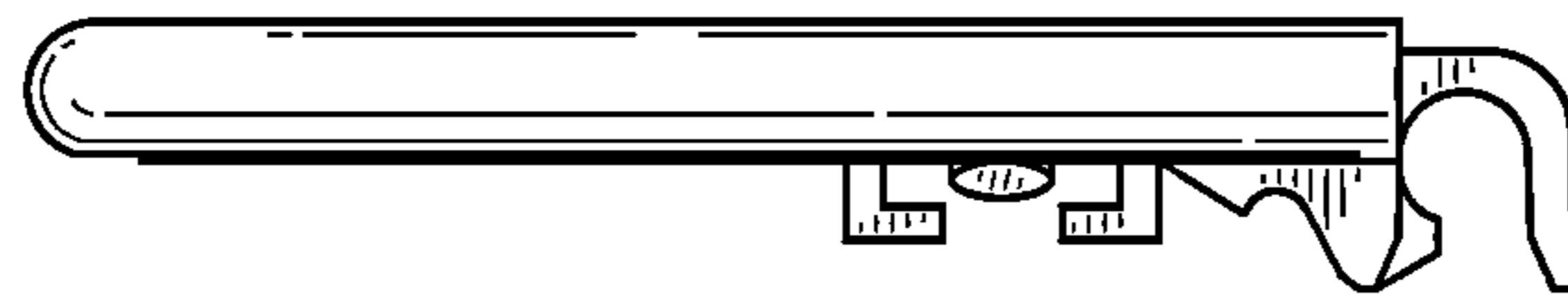


Fig. 3

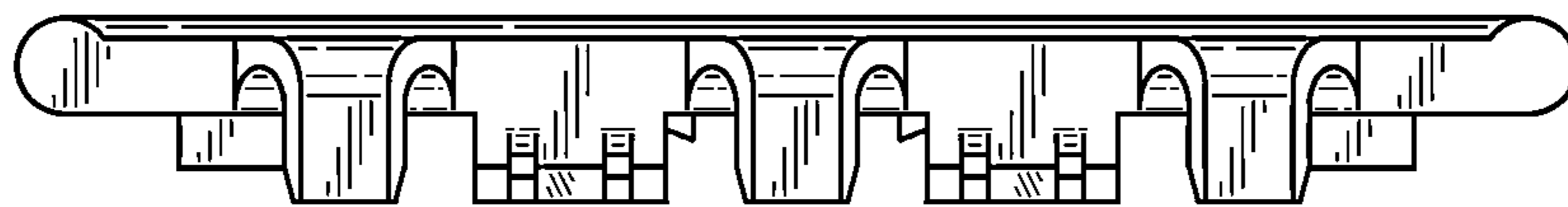


Fig. 4

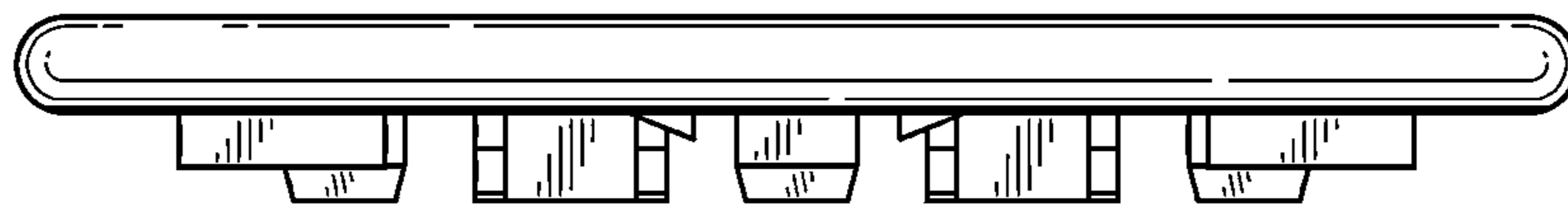


Fig. 5

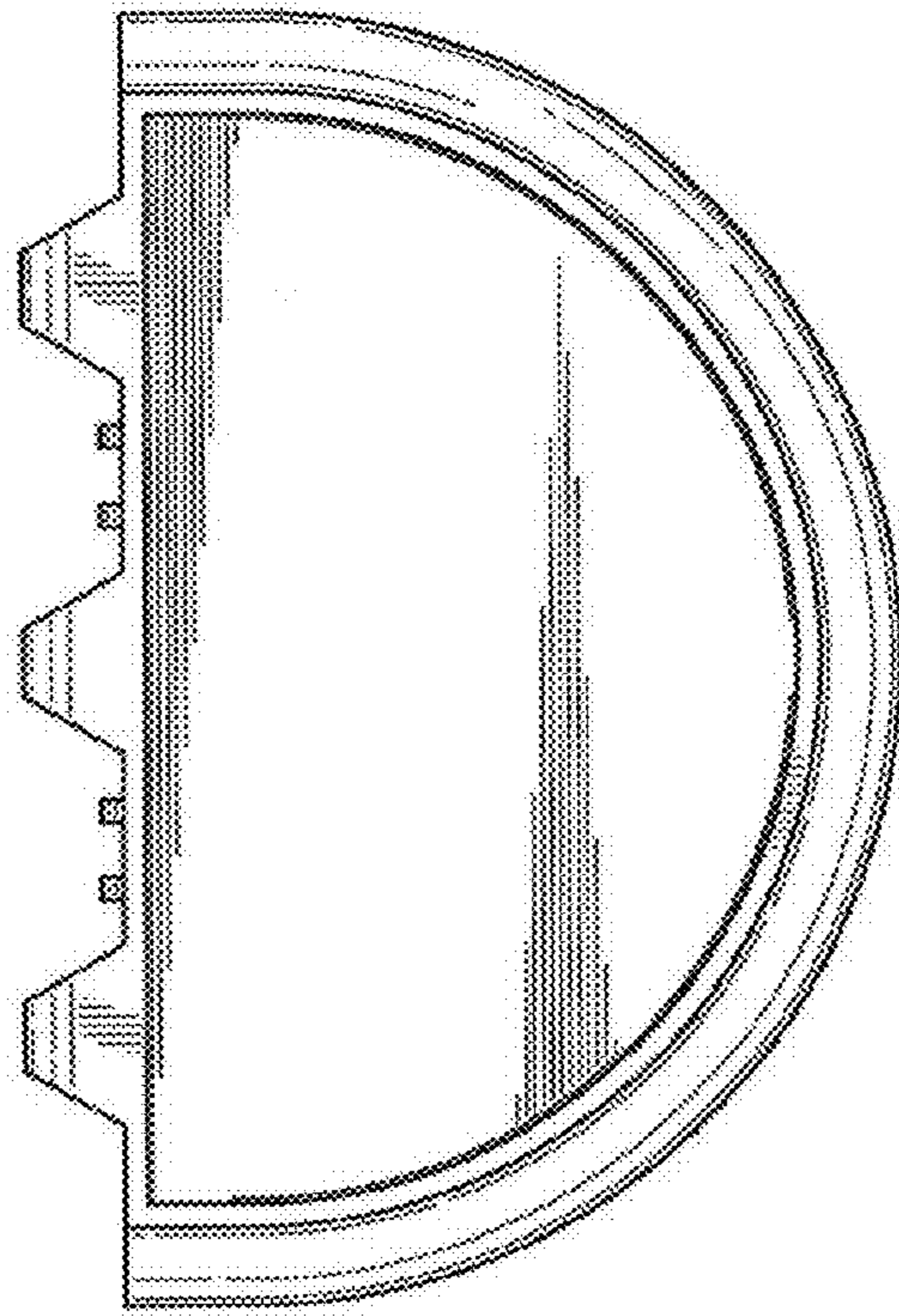


Fig. 6

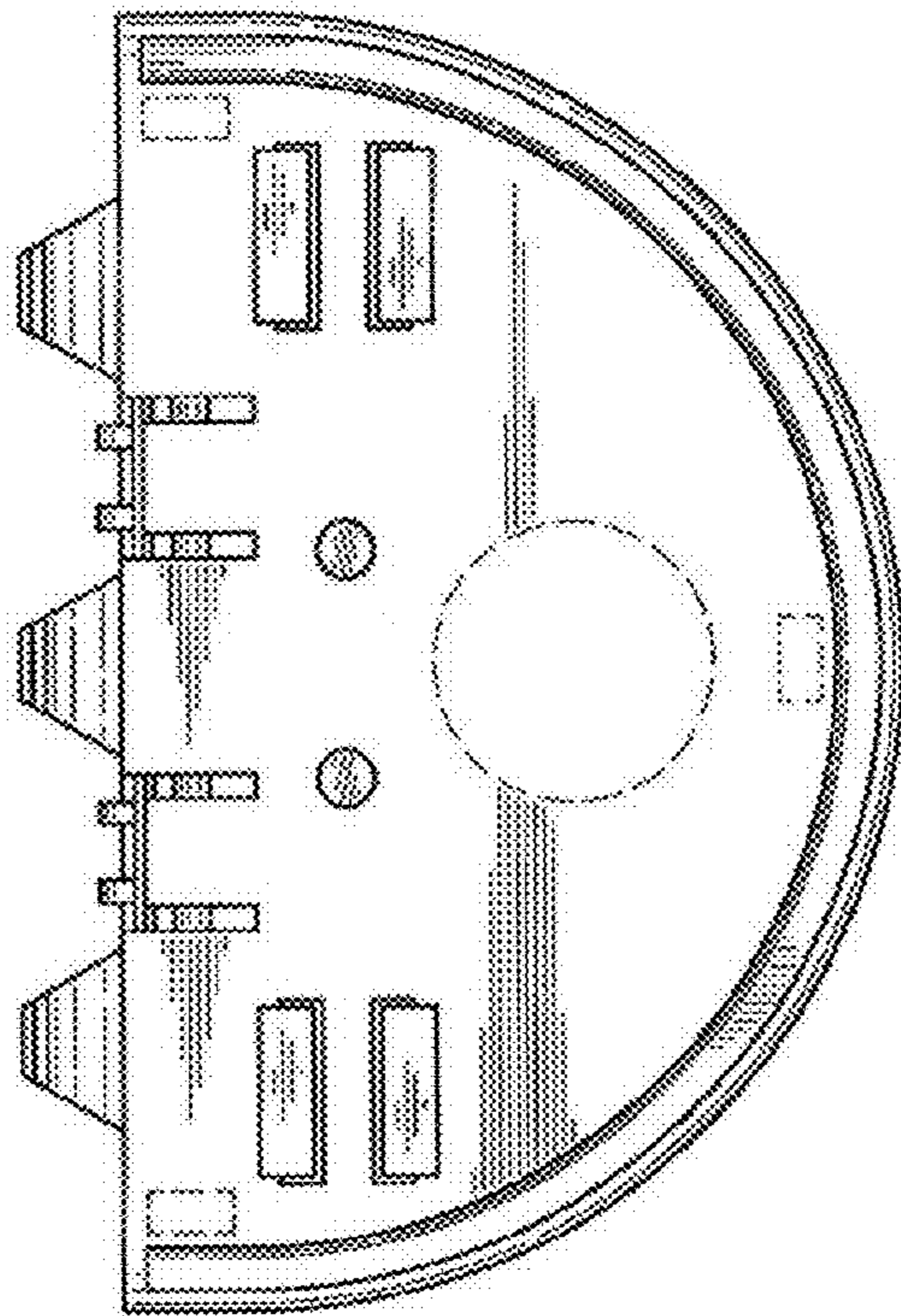


Fig. 7