



US00D724670S

(12) **United States Design Patent**  
**Yokoyama**

(10) **Patent No.:** **US D724,670 S**  
(45) **Date of Patent:** **\*\* Mar. 17, 2015**

(54) **MECHANICAL PENCIL**

(71) Applicant: **Pentel Kabushiki Kaisha**, Tokyo (JP)

(72) Inventor: **Shoto Yokoyama**, Saitama (JP)

(73) Assignee: **Pentel Kabushiki Kaisha** (JP)

(\*\*) Term: **14 Years**

(21) Appl. No.: **29/476,876**

(22) Filed: **Dec. 18, 2013**

(30) **Foreign Application Priority Data**

Jun. 21, 2013 (JP) ..... 2013-014027

(51) **LOC (10) Cl.** ..... **19-06**

(52) **U.S. Cl.**  
USPC ..... **D19/174; D19/906**

(58) **Field of Classification Search**  
CPC ..... B43K 7/00; B43K 7/005; B43K 7/12;  
B43K 8/00; B43K 8/003; B43K 8/02; B43K  
8/022; B43K 8/024  
USPC ..... D14/411; D19/115-204, 904, 905, 906,  
D19/913, 914, 916, 917, 918, 927; 24/11 F,  
24/11 P, 11 R; 401/192, 195, 196  
See application file for complete search history.

(56) **References Cited**

**U.S. PATENT DOCUMENTS**

D286,893 S \* 11/1986 Regnault ..... D19/51  
D545,367 S \* 6/2007 Ternovits ..... D19/51  
D593,604 S \* 6/2009 Yu et al. .... D19/47

D611,538 S \* 3/2010 Zhou ..... D19/51  
D629,461 S \* 12/2010 Shibata ..... D19/49  
D650,441 S \* 12/2011 Ikeda ..... D19/47  
D662,985 S \* 7/2012 Liu ..... D19/51  
D664,196 S \* 7/2012 Buchler ..... D19/48  
D667,880 S \* 9/2012 Zhang ..... D19/47  
D690,360 S \* 9/2013 Jin ..... D19/173  
D694,329 S \* 11/2013 Hern et al. .... D19/201  
D712,480 S \* 9/2014 Fleming ..... D19/173

\* cited by examiner

*Primary Examiner* — Elizabeth Albert

(74) *Attorney, Agent, or Firm* — Adams & Wilks

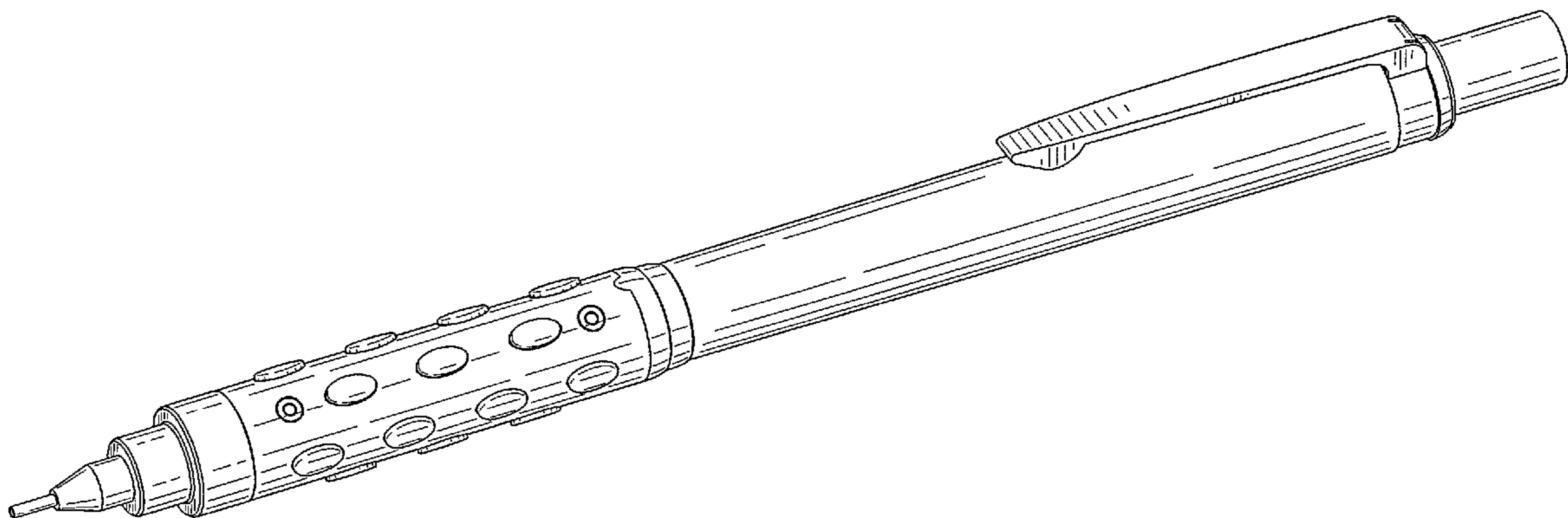
(57) **CLAIM**

The ornamental design for a mechanical pencil, as shown and described.

**DESCRIPTION**

FIG. 1 is a perspective view of front, top and left side of a mechanical pencil showing my new design;  
FIG. 2 is a front view thereof;  
FIG. 3 is a rear view thereof;  
FIG. 4 is a top plan view thereof;  
FIG. 5 is a bottom view thereof;  
FIG. 6 is a left side view thereof;  
FIG. 7 is an enlarged left side view thereof;  
FIG. 8 is a right side view thereof;  
FIG. 9 is an enlarged right side view thereof;  
FIG. 10 is a partially enlarged view at 10-10 in FIG. 2 thereof;  
FIG. 11 is a partially enlarged view at 11-11 in FIG. 3 thereof;  
FIG. 12 is a partially enlarged view at 12-12 in FIG. 4 thereof;  
and,  
FIG. 13 is a partially enlarged view at 13-13 in FIG. 5 thereof.

**1 Claim, 7 Drawing Sheets**



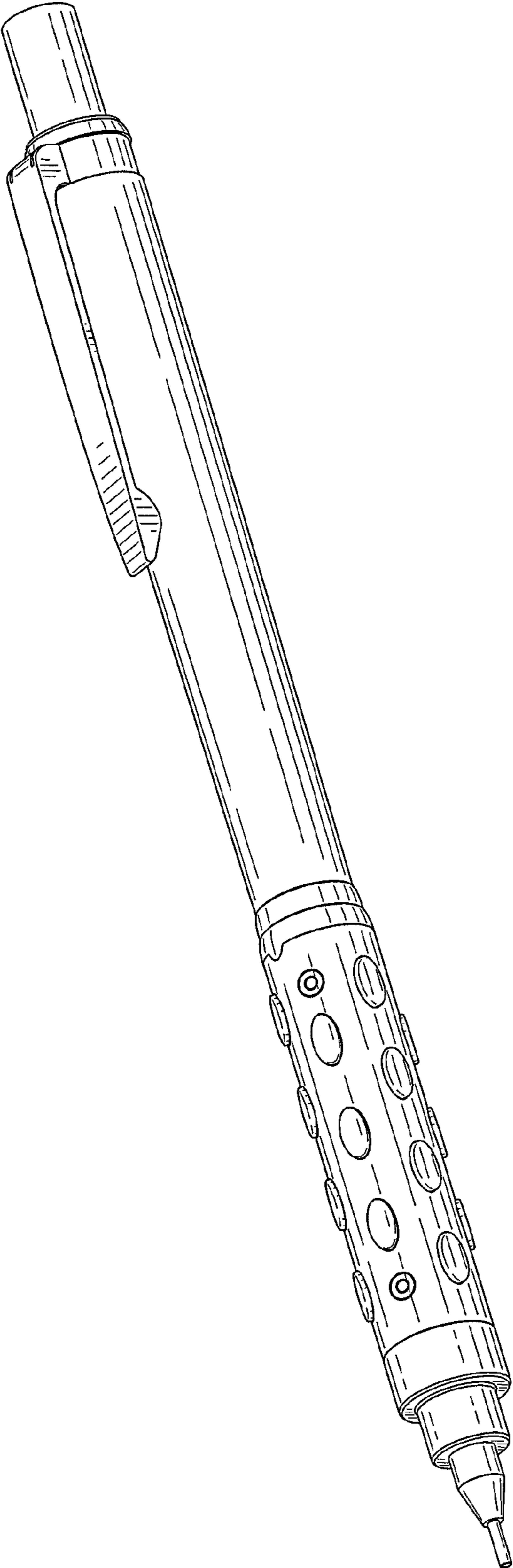


FIG. 1

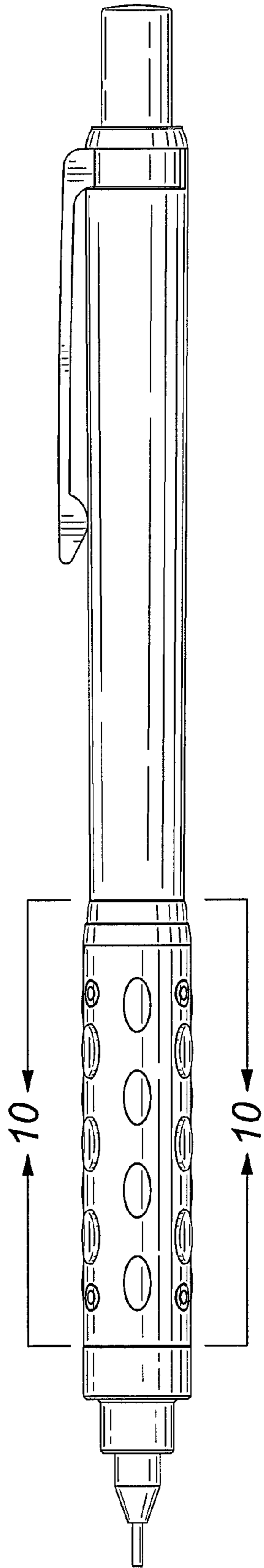


FIG. 2

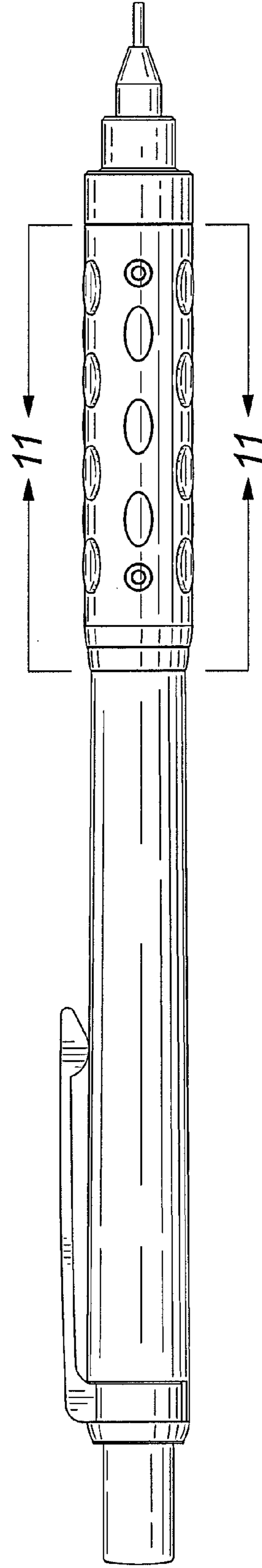


FIG. 3

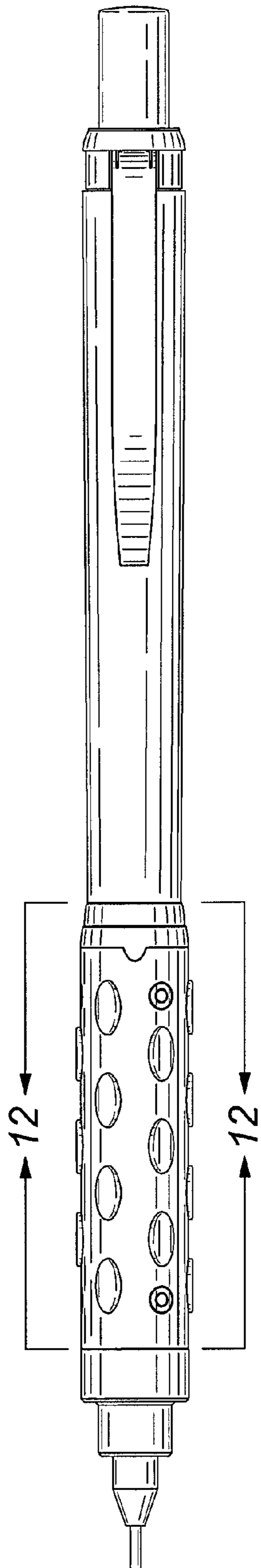


FIG. 4

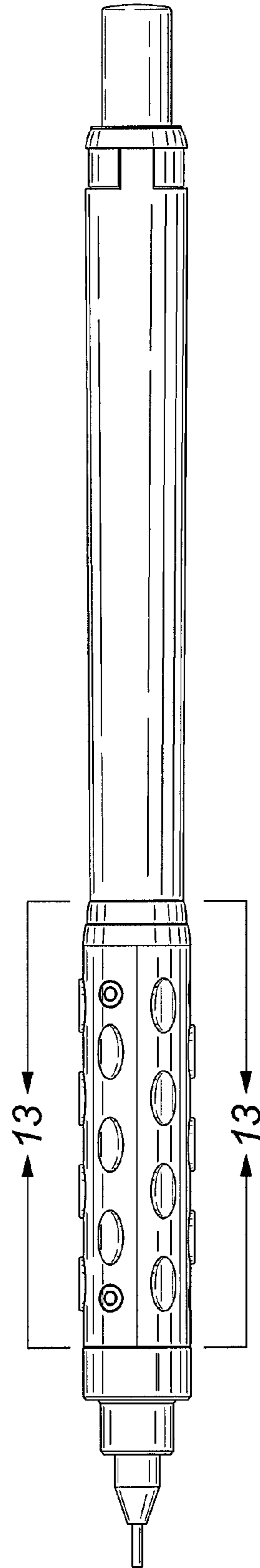


FIG. 5

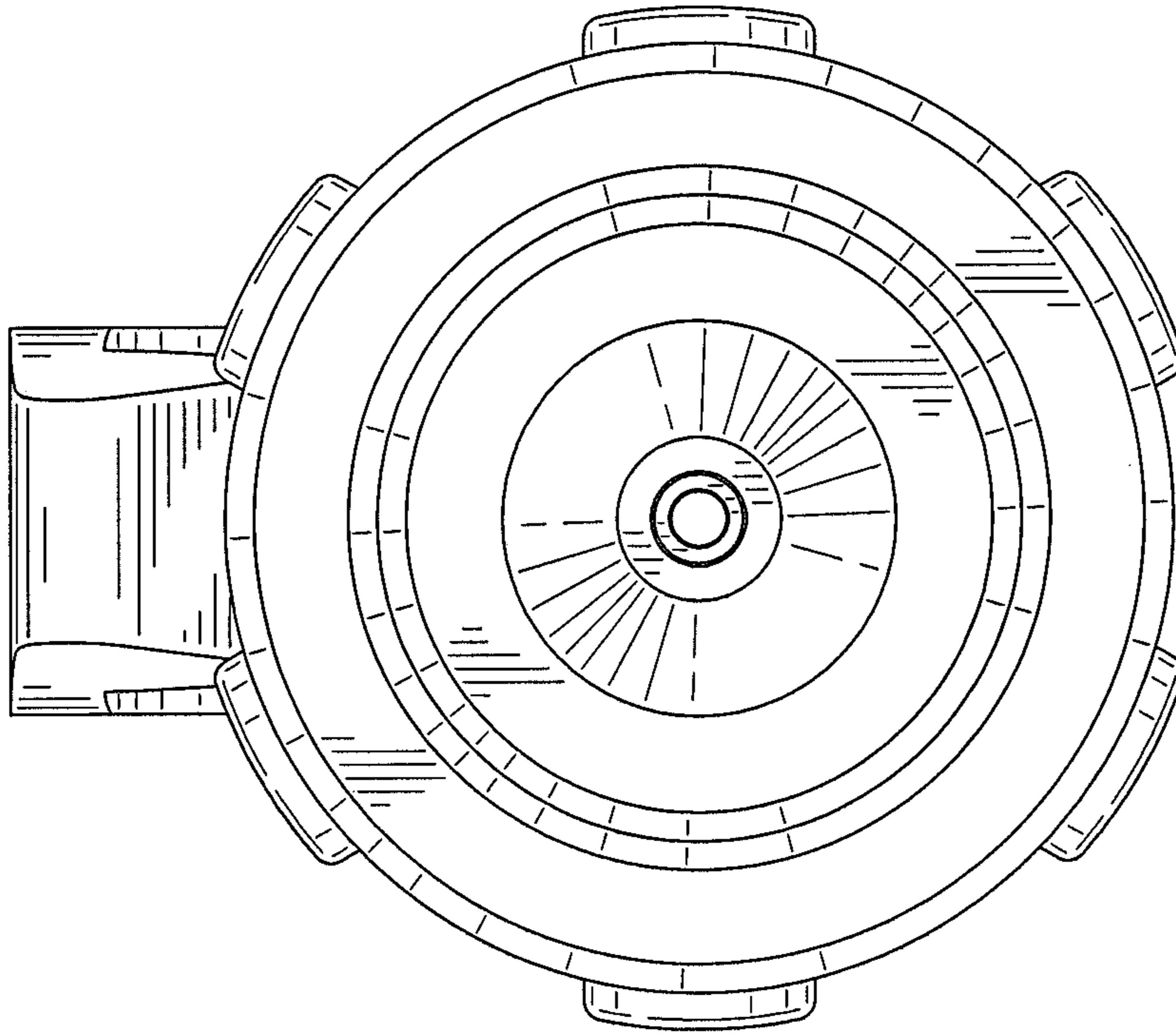


FIG. 7

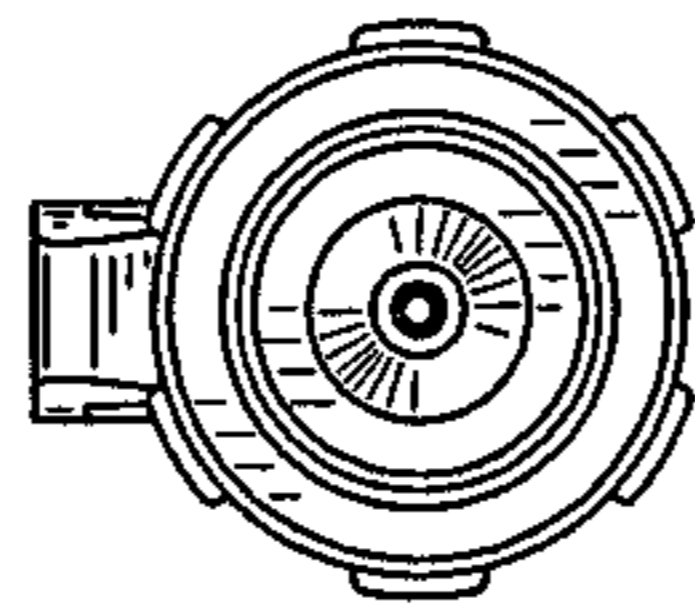


FIG. 6

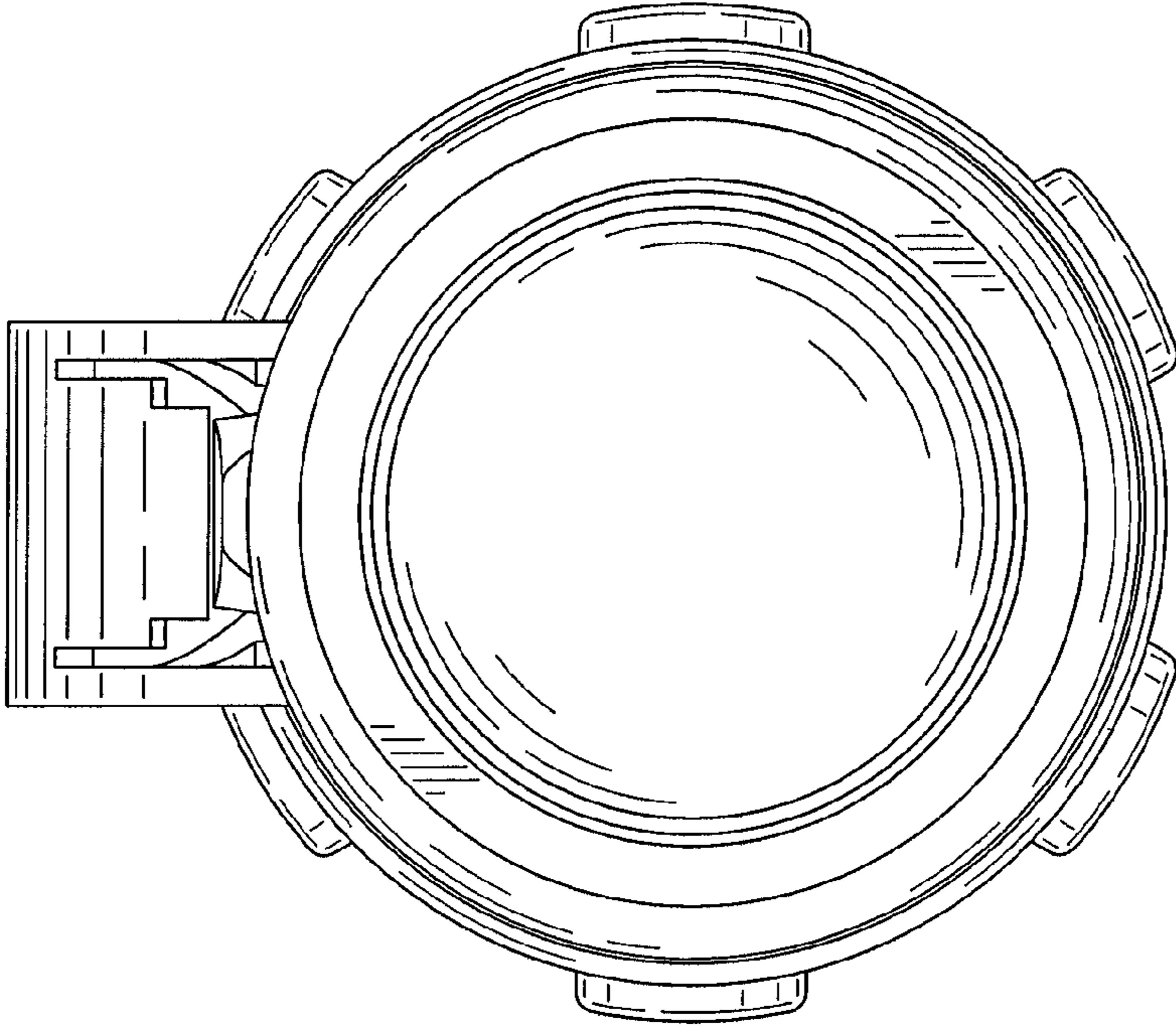


FIG. 9

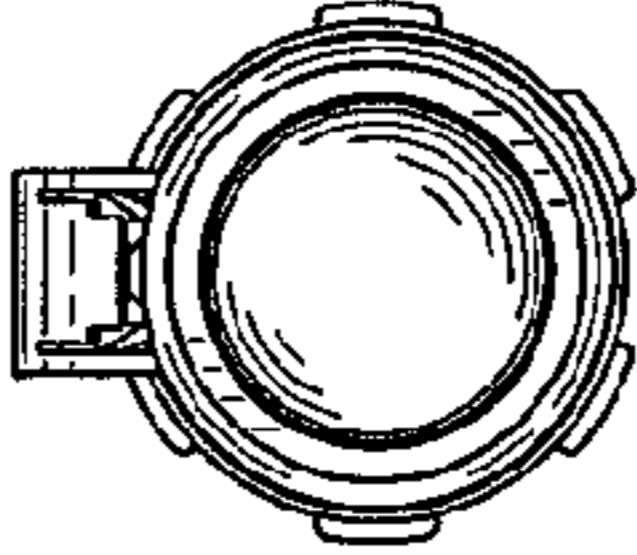


FIG. 8

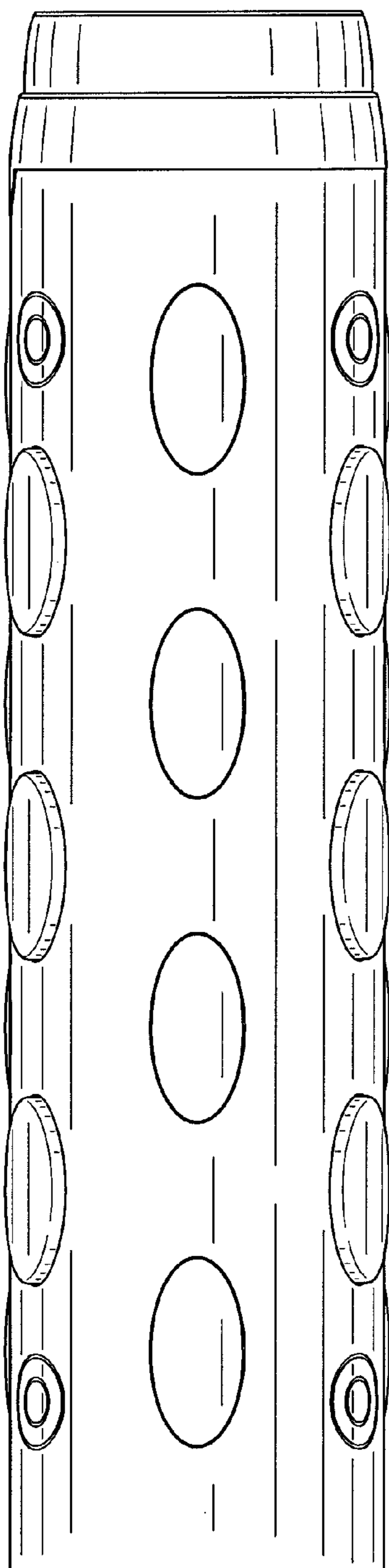


FIG. 10

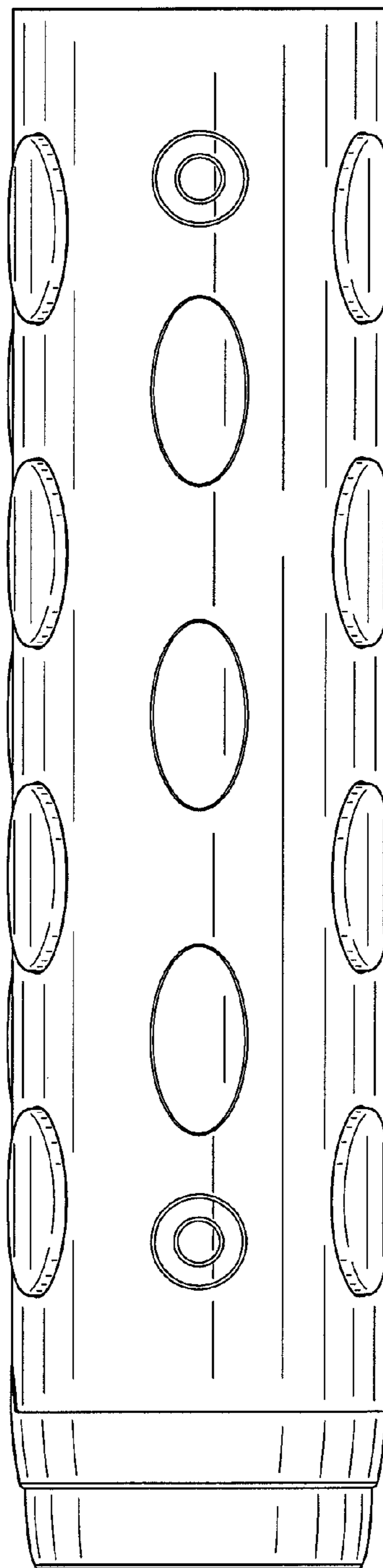


FIG. 11

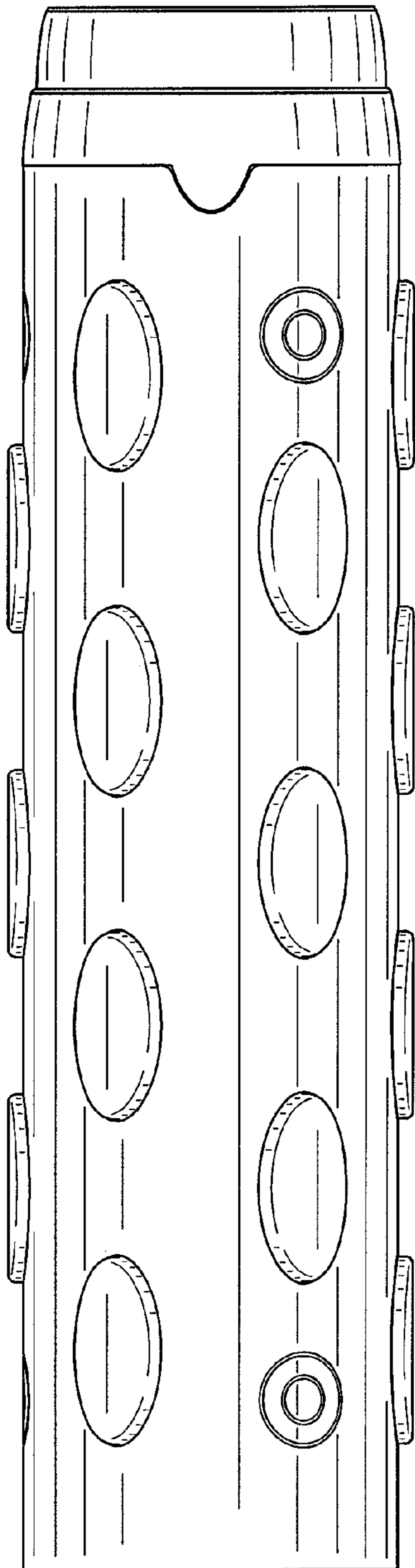


FIG. 12

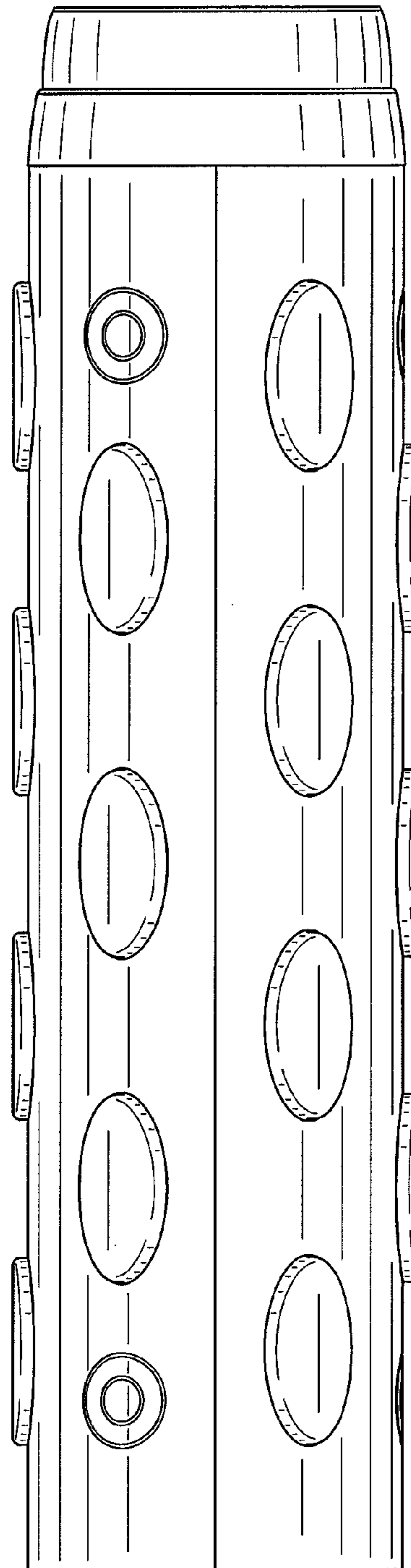


FIG. 13