



US00D724667S

(12) **United States Design Patent**
Hu

(10) **Patent No.:** **US D724,667 S**
(45) **Date of Patent:** **** *Mar. 17, 2015**

(54) **FILE BASKET**

(75) Inventor: **Yajun Hu**, El Dorado Hills, CA (US)

(73) Assignee: **Designa Group Inc.**, El Dorado Hills, CA (US)

(*) Notice: This patent is subject to a terminal disclaimer.

(**) Term: **14 Years**

(21) Appl. No.: **29/416,069**

(22) Filed: **Mar. 17, 2012**

(51) **LOC (10) Cl.** **19-02**

(52) **U.S. Cl.**
USPC **D19/90**

(58) **Field of Classification Search**
USPC D3/304, 306, 313, 314, 315; D6/675.2, D6/683, 683.1, 705.6; D7/553.2, 553.3, D7/553.6, 553.7, 554.2, 554.3, 637; D19/75, 77-92; 206/214, 425, 449, 206/558, 371; 211/10, 11, 45, 50, 55, 211/69.1-69.9, 126.1; 220/485, 607
See application file for complete search history.

(56) **References Cited**

U.S. PATENT DOCUMENTS

D189,544 S * 1/1961 Harris D5/54
4,006,827 A 2/1977 Riches
D299,657 S 1/1989 Hwang
D323,854 S 2/1992 Evenson
5,140,724 A 8/1992 Crisanti

D330,047 S 10/1992 Evenson
D336,927 S 6/1993 Samuels et al.
D434,257 S * 11/2000 Andujar D6/525
D437,984 S * 2/2001 Weiss et al. D34/1
D449,074 S * 10/2001 Andujar D19/75
D451,675 S * 12/2001 Hardy et al. D3/306
D453,027 S * 1/2002 Andujar D19/90
D514,318 S * 2/2006 Post et al. D3/306
D520,002 S 5/2006 Mello
D528,300 S * 9/2006 Hardy et al. D3/306
D530,517 S * 10/2006 Hardy et al. D3/306
D550,284 S 9/2007 Goodman et al.
D579,254 S * 10/2008 Dominique et al. D6/566
D579,660 S * 11/2008 Snider D3/304
D584,055 S * 1/2009 Hardy et al. D3/306
D604,769 S 11/2009 Chen et al.
7,921,998 B2 4/2011 Schenker
D665,846 S 8/2012 Chuang
D677,056 S * 3/2013 Hu D3/306

* cited by examiner

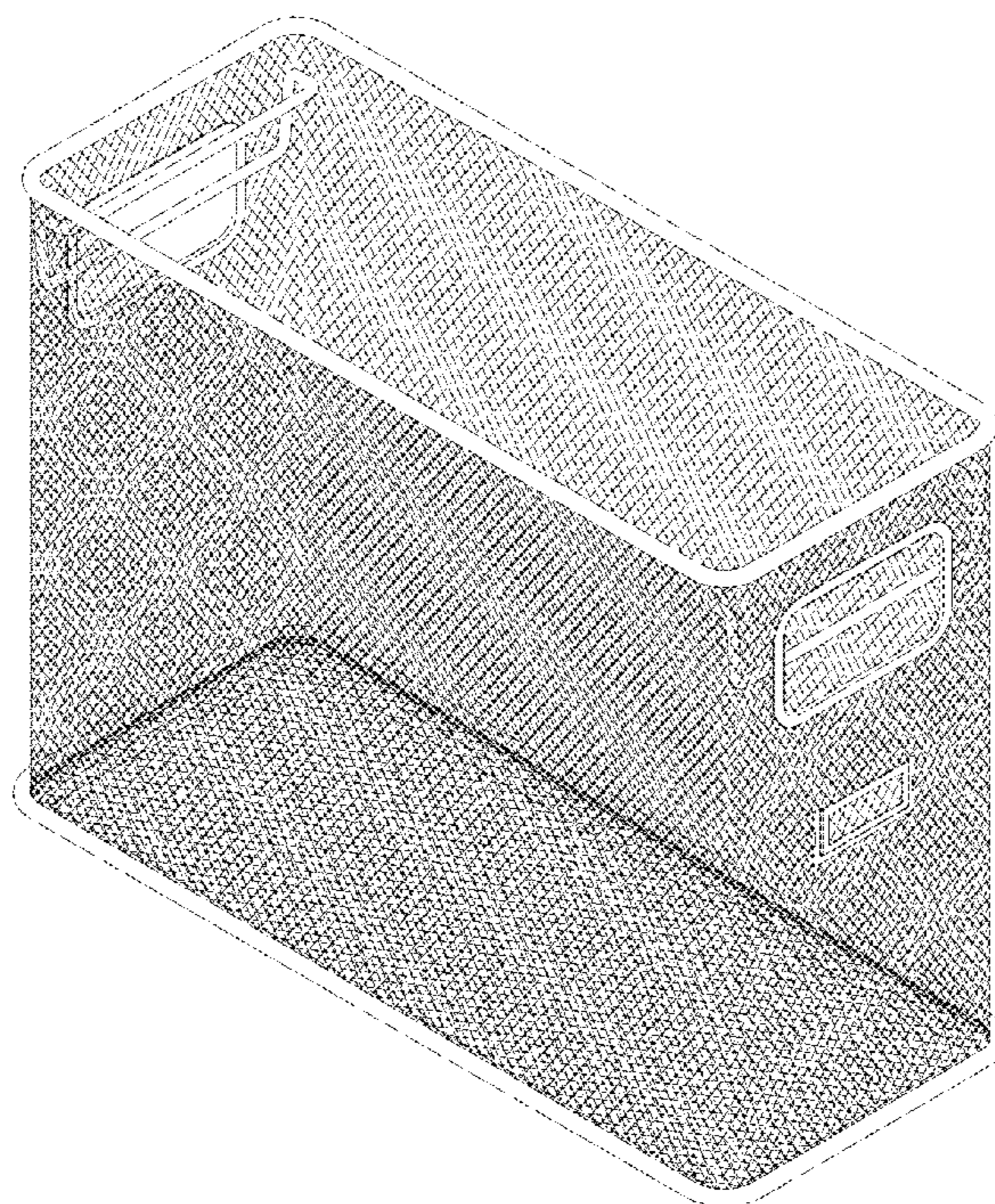
Primary Examiner — Elizabeth Albert

(57) **CLAIM**
The ornamental design for a file basket, as shown and described.

DESCRIPTION

FIG. 1 is a perspective view of file basket showing my design.
FIG. 2 is a front view thereof;
FIG. 3 is a bottom view thereof;
FIG. 4 is a top view thereof;
FIG. 5 is a rear side view thereof;
FIG. 6 is a left side view thereof; and,
FIG. 7 is a right side view thereof.

1 Claim, 7 Drawing Sheets



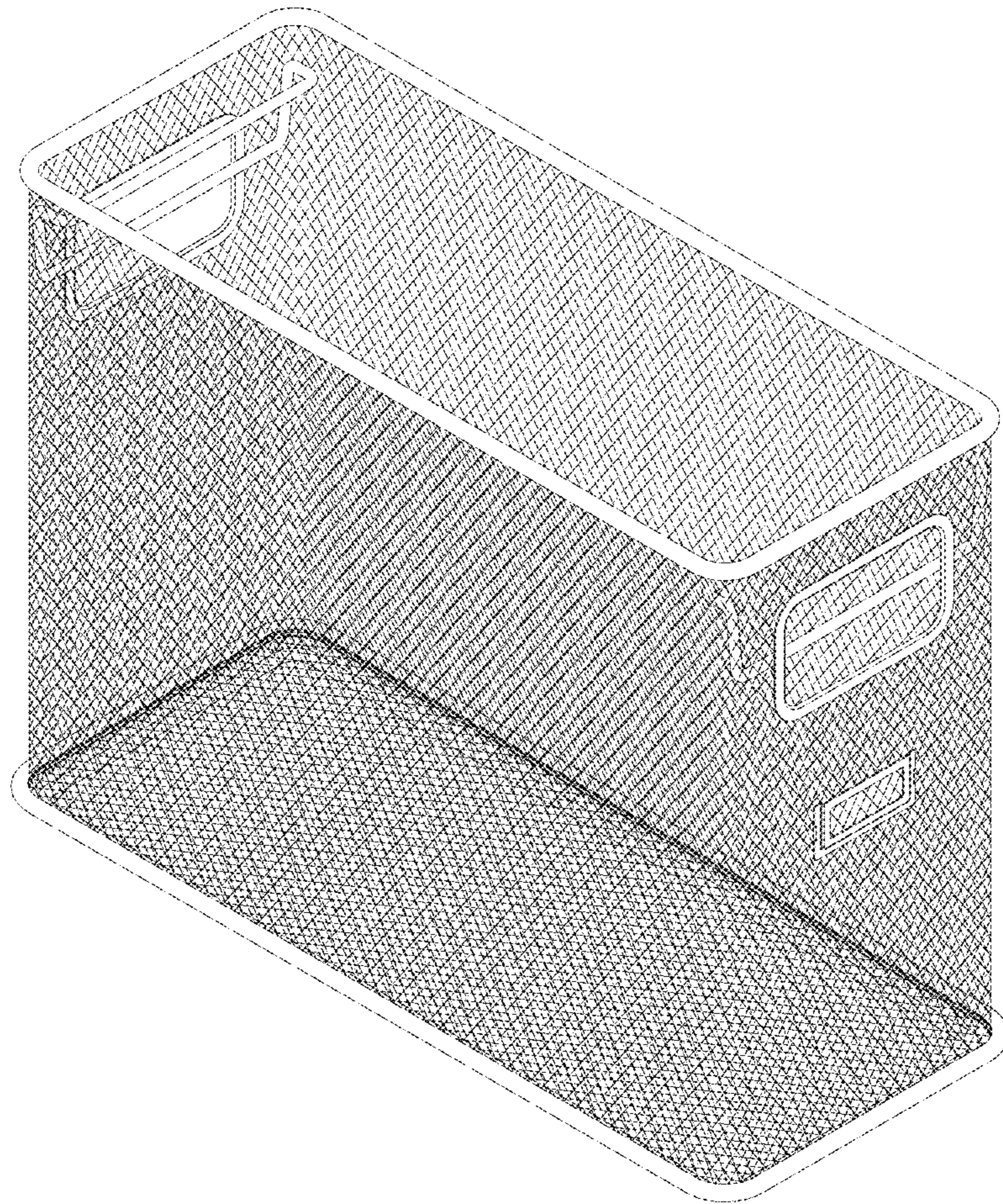


FIG. 1

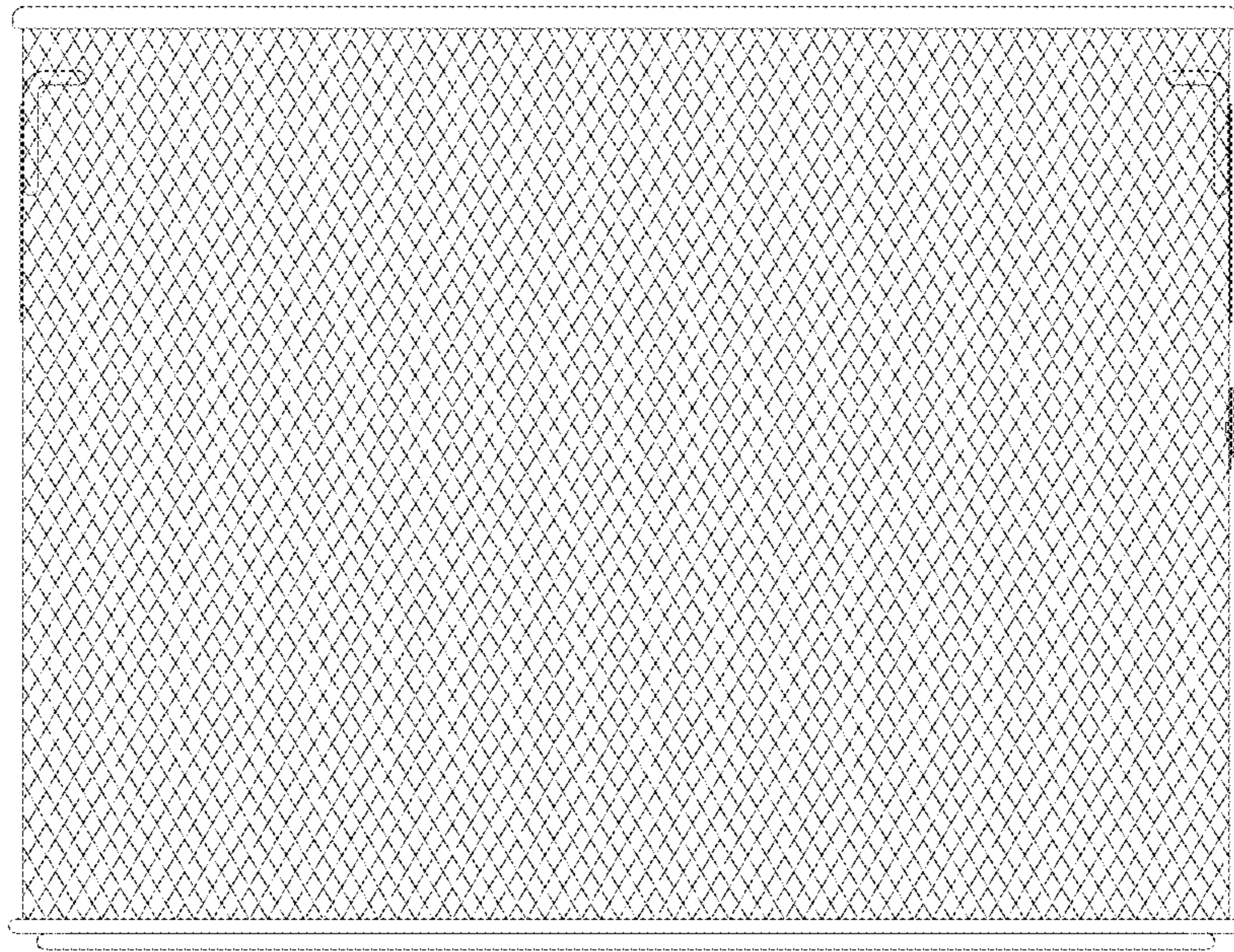


FIG.2

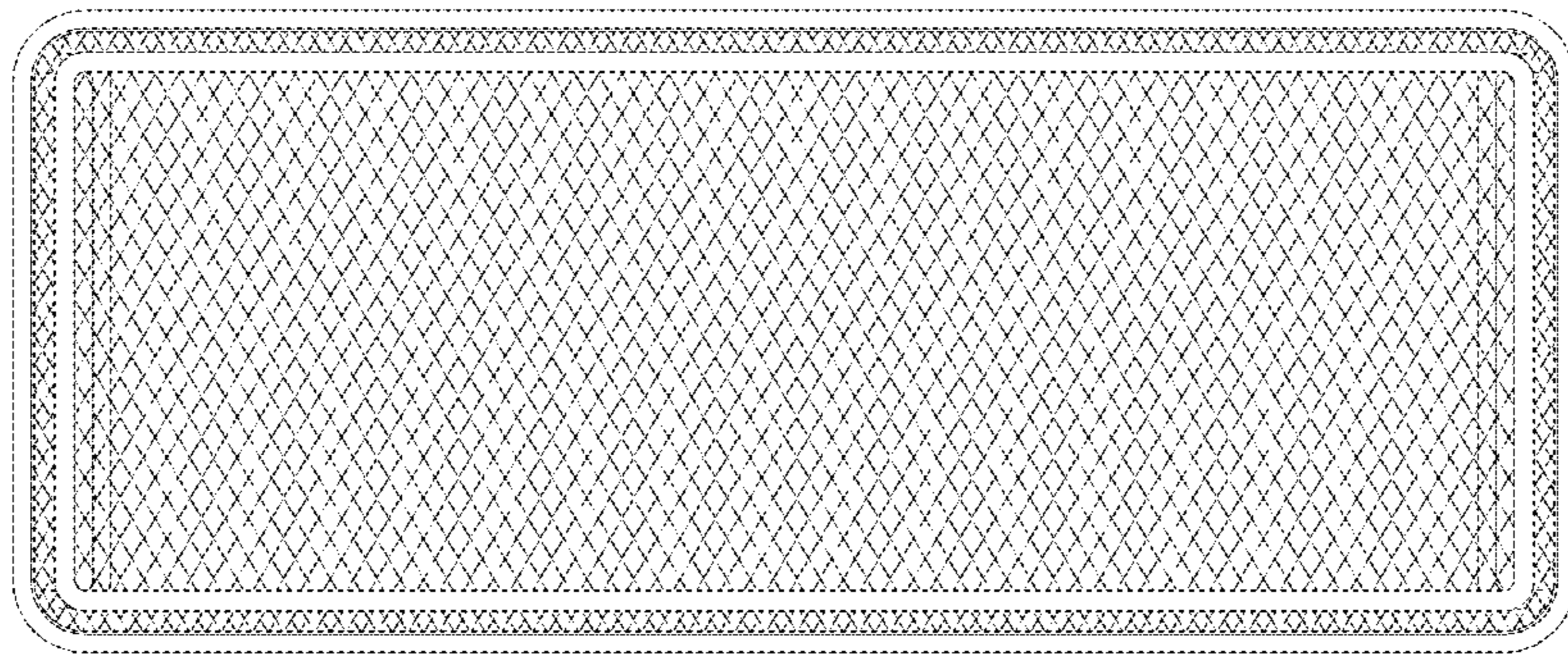


FIG.3

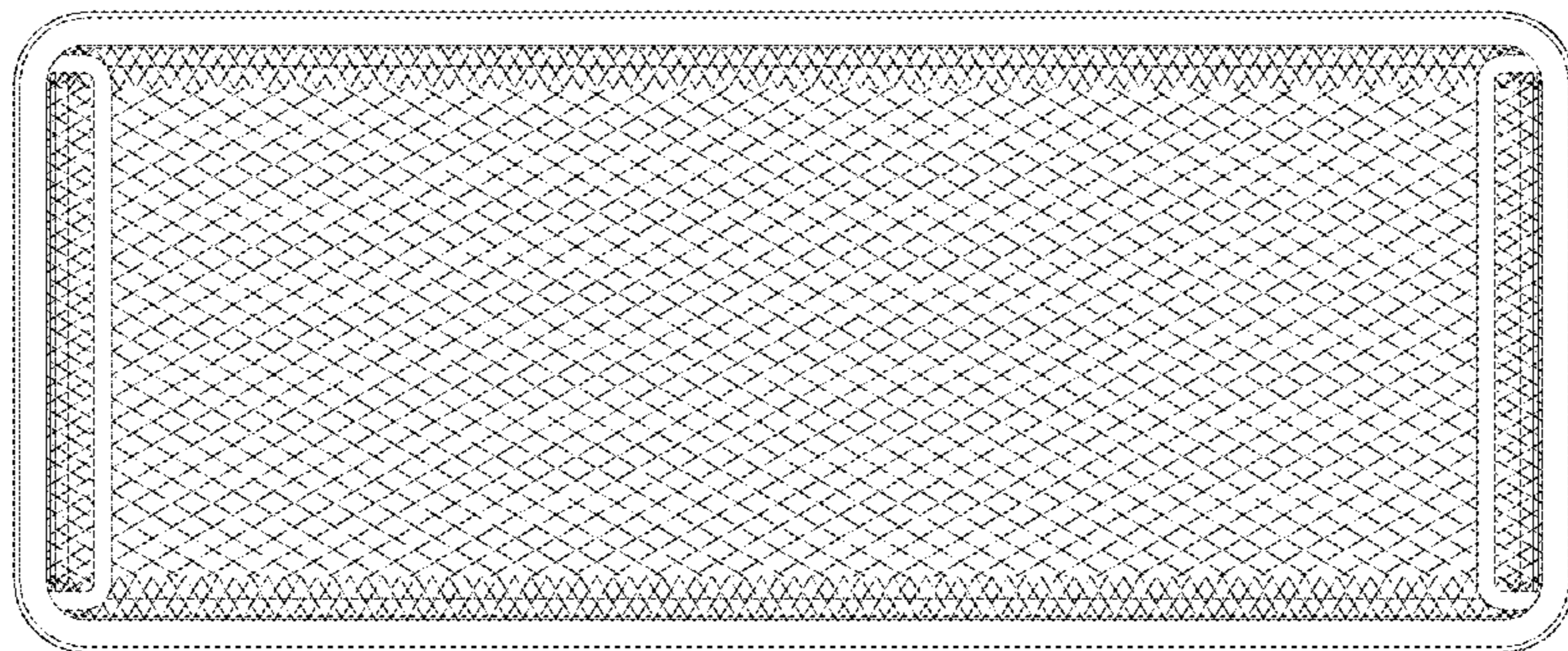


FIG. 4

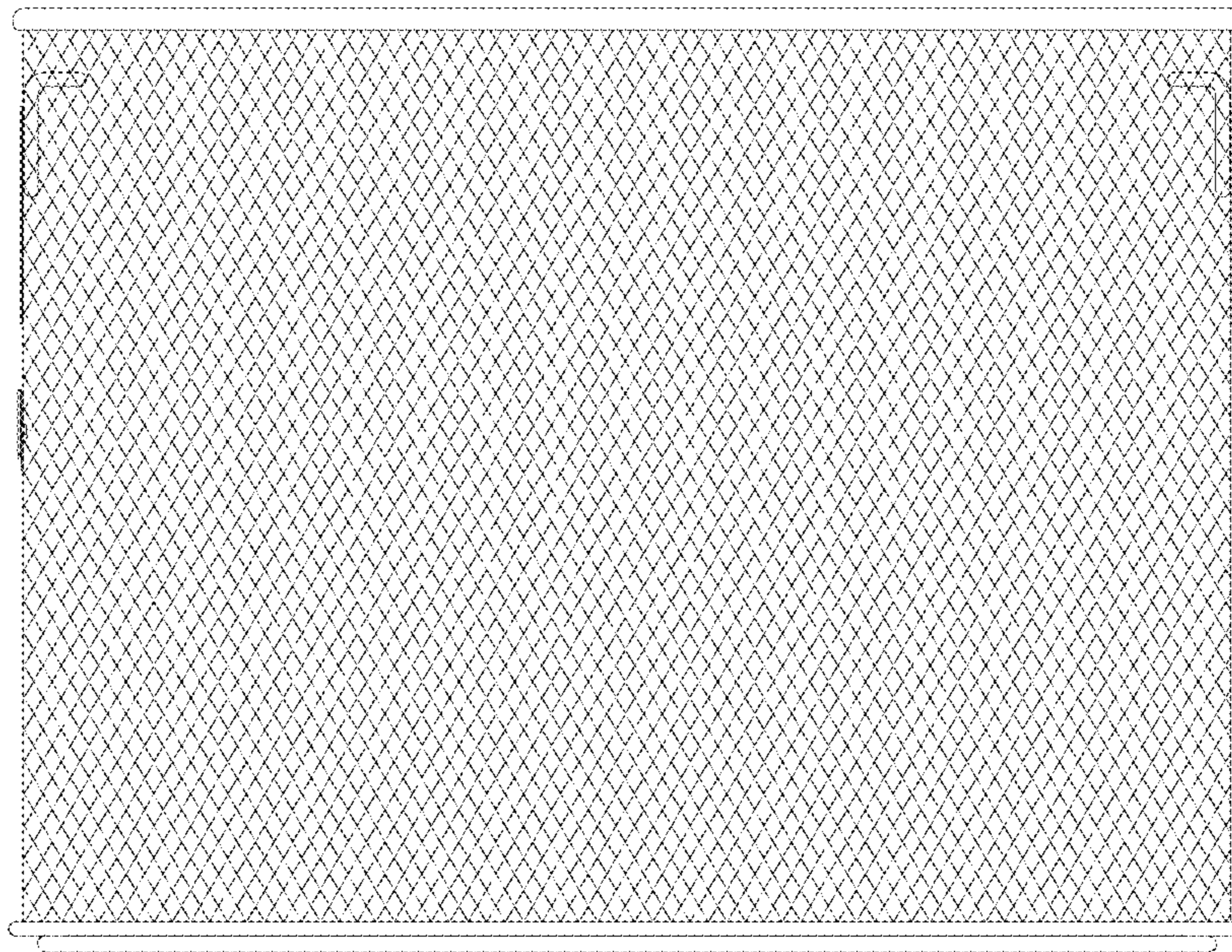


FIG.5

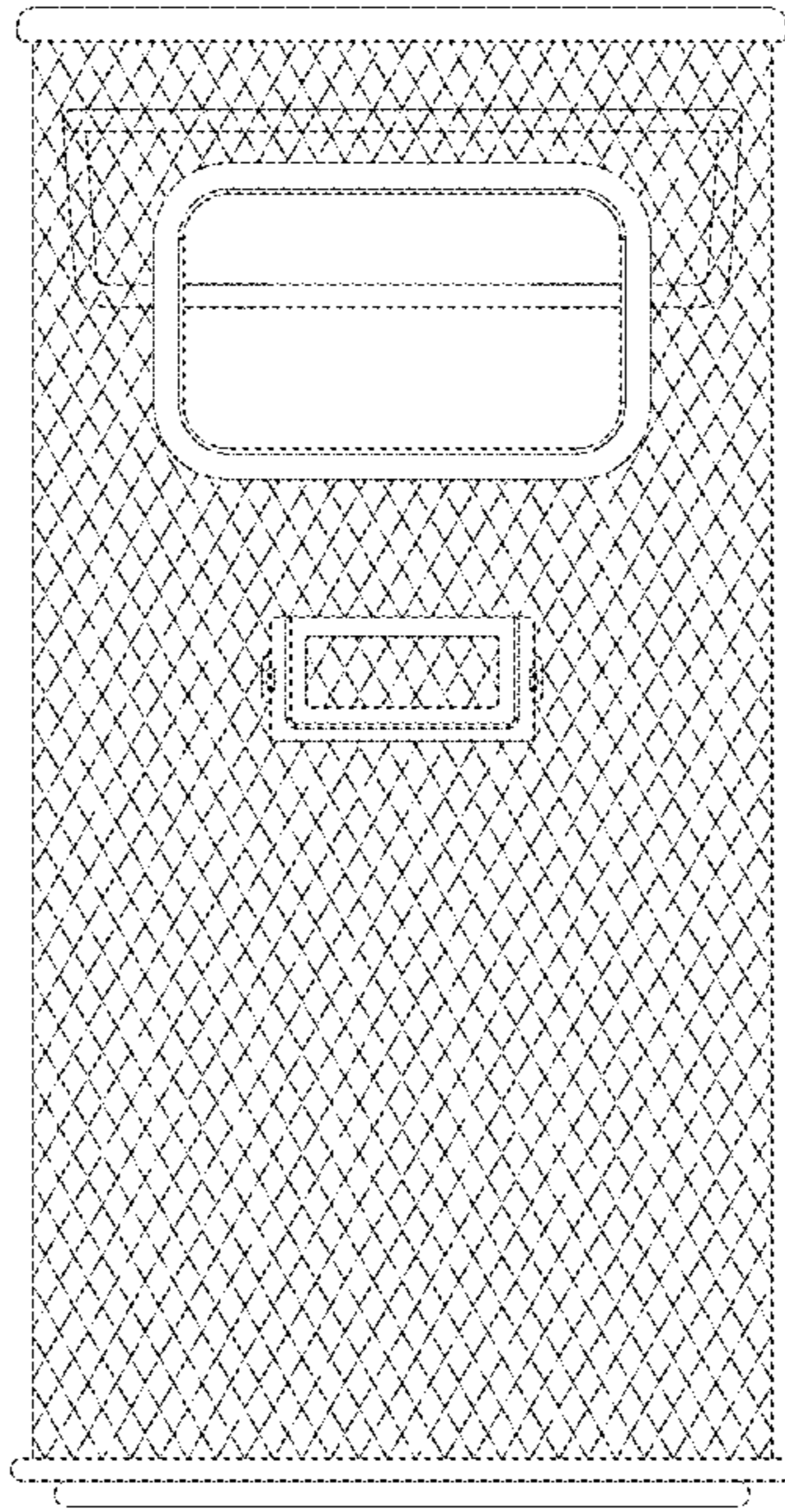


FIG. 6

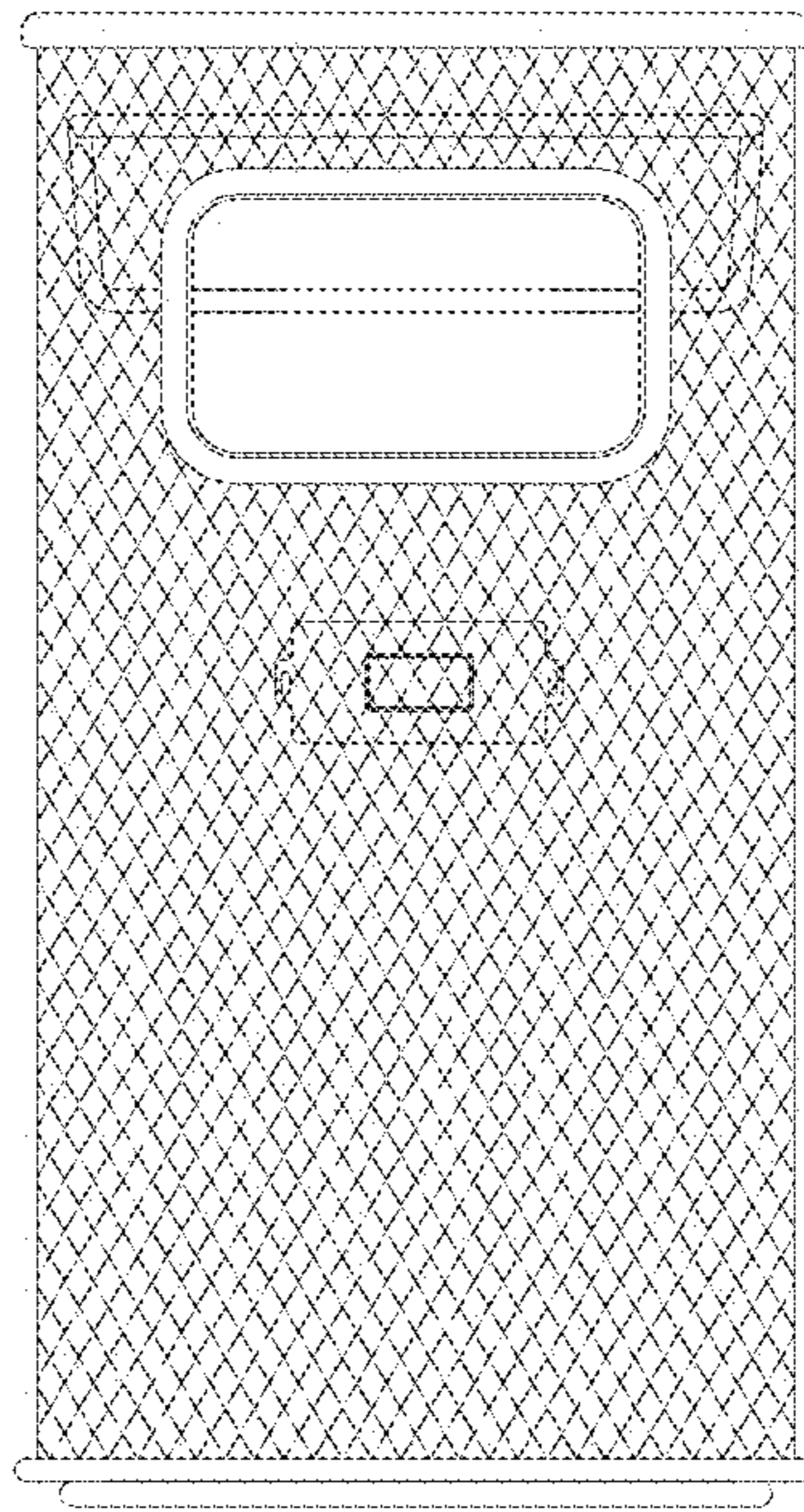


FIG. 7