



US00D724665S

(12) **United States Design Patent**
Woolard

(10) **Patent No.:** **US D724,665 S**
(45) **Date of Patent:** **** Mar. 17, 2015**

(54) **DESK ORGANIZER**

(71) Applicant: **Iris F. Woolard**, Oxnard, CA (US)

(72) Inventor: **Iris F. Woolard**, Oxnard, CA (US)

(**) Term: **14 Years**

(21) Appl. No.: **29/486,255**

(22) Filed: **Mar. 27, 2014**

(51) **LOC (10) Cl.** **19-02**

(52) **U.S. Cl.**
USPC **D19/78**

(58) **Field of Classification Search**
USPC D3/206, 304, 315; D6/512, 708,
D6/708.16, 672, 682.1, 682.2;
D7/631-634, 701-708; D9/749;
D19/75, 77-86, 90-92; 206/1.7, 214,
206/224, 575; 211/10, 11, 69, 69.1-69.9,
211/70

See application file for complete search history.

(56) **References Cited**

U.S. PATENT DOCUMENTS

1,521,951	A *	1/1925	Hill	206/86
2,177,772	A *	10/1939	Gregory	222/586
2,698,493	A *	1/1955	Nichols	40/120
D186,109	S *	9/1959	Harley	D8/102
D206,099	S *	10/1966	Gantner	D34/7

D267,808	S *	2/1983	Russo	D19/78
D337,016	S *	7/1993	Fortescue	D6/567
5,263,578	A *	11/1993	Narvey	206/232
D385,136	S *	10/1997	Gutke	D6/524
D490,857	S *	6/2004	Snell	D19/78
D610,199	S *	2/2010	Liang	D19/86
D667,633	S *	9/2012	Searcy	D3/313
D700,020	S *	2/2014	Mubarak	D7/632

* cited by examiner

Primary Examiner — Elizabeth Albert

(74) *Attorney, Agent, or Firm* — Albert O. Cota

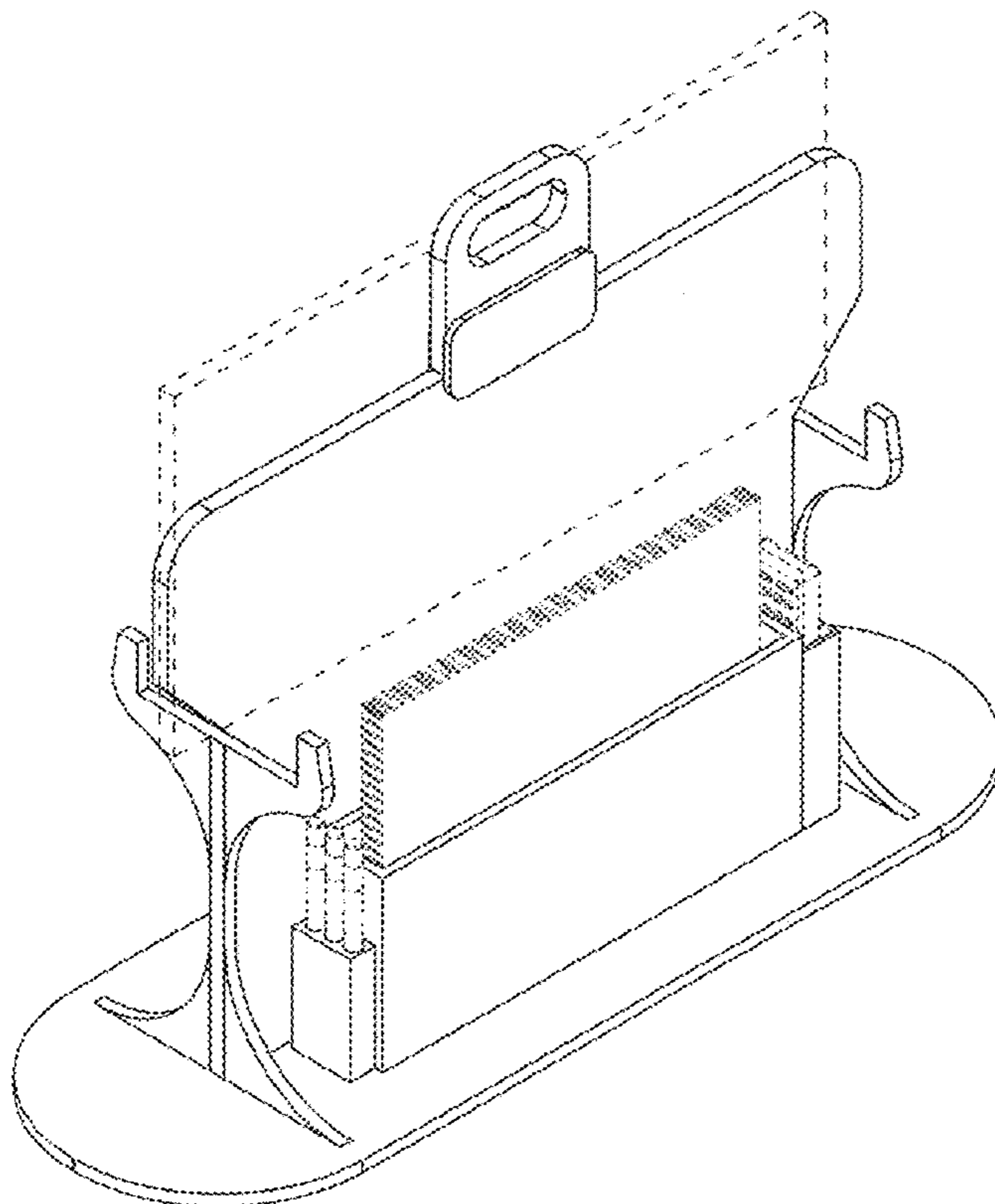
(57) **CLAIM**

The ornamental design for a desk organizer, as shown and described.

DESCRIPTION

FIG. 1 is an orthographic front view of a desk organizer showing my new design;
FIG. 2 is a front elevational view thereof;
FIG. 3 is a rear elevational view thereof;
FIG. 4 is a bottom plan view thereof;
FIG. 5 is a top plan view thereof; and,
FIG. 6 is a right side elevational view thereof; the left side view being a mirror image of the right side view.
The broken lines depicting a tray, a set of pencils, a pack of cards and a cell phone are included for the purpose of showing items in the environment that form no part of the claimed design.

1 Claim, 4 Drawing Sheets



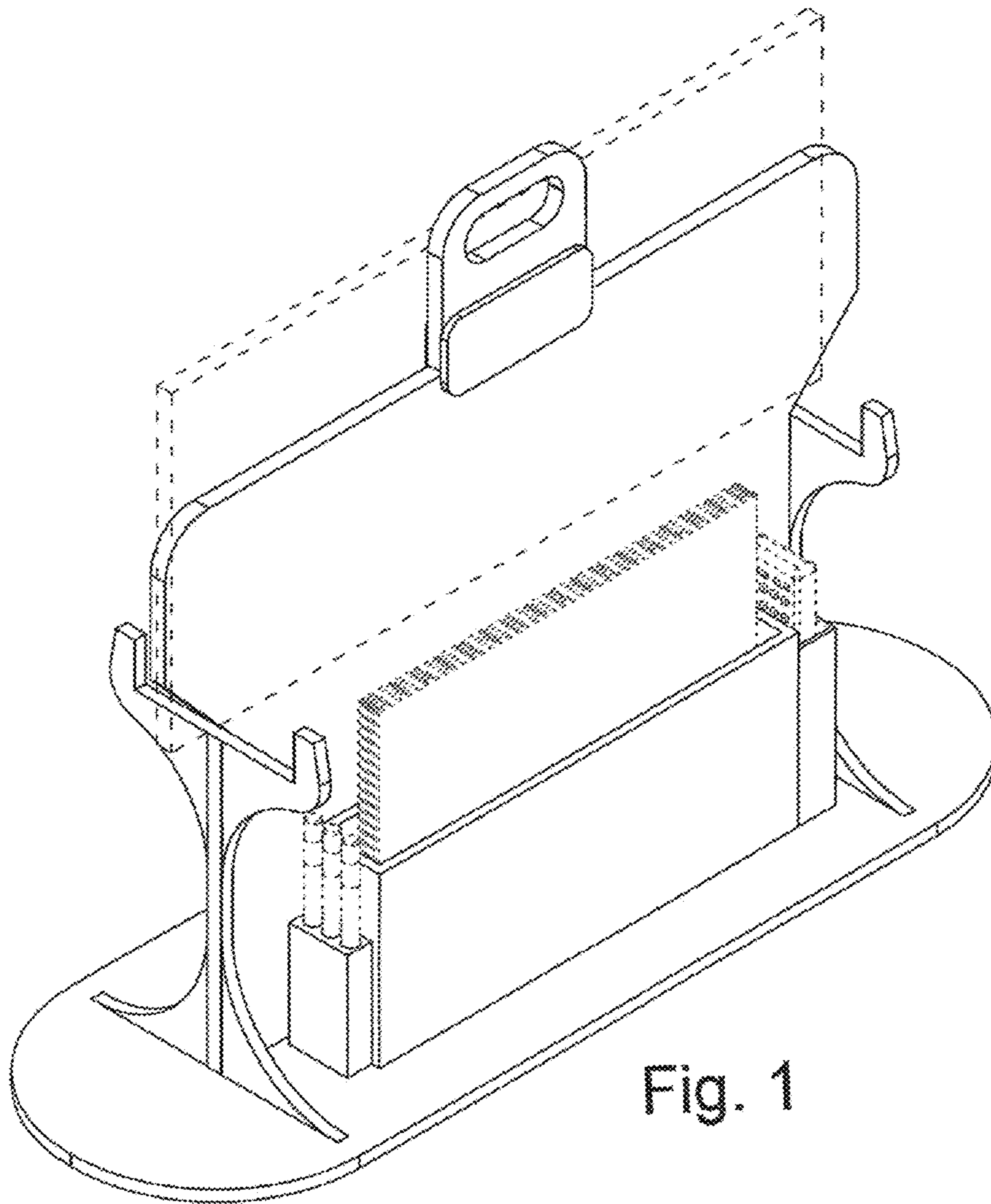


Fig. 1

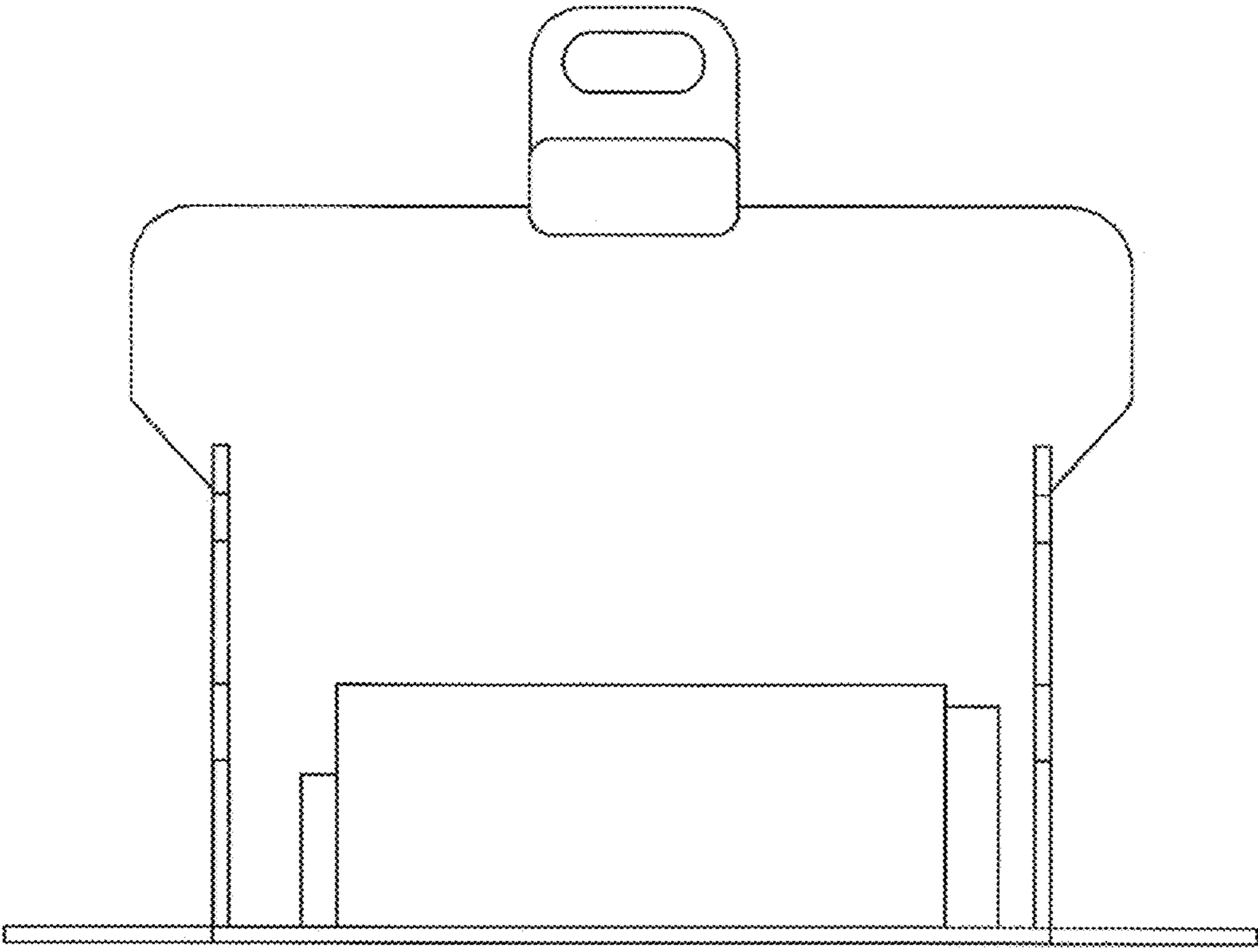


Fig. 2

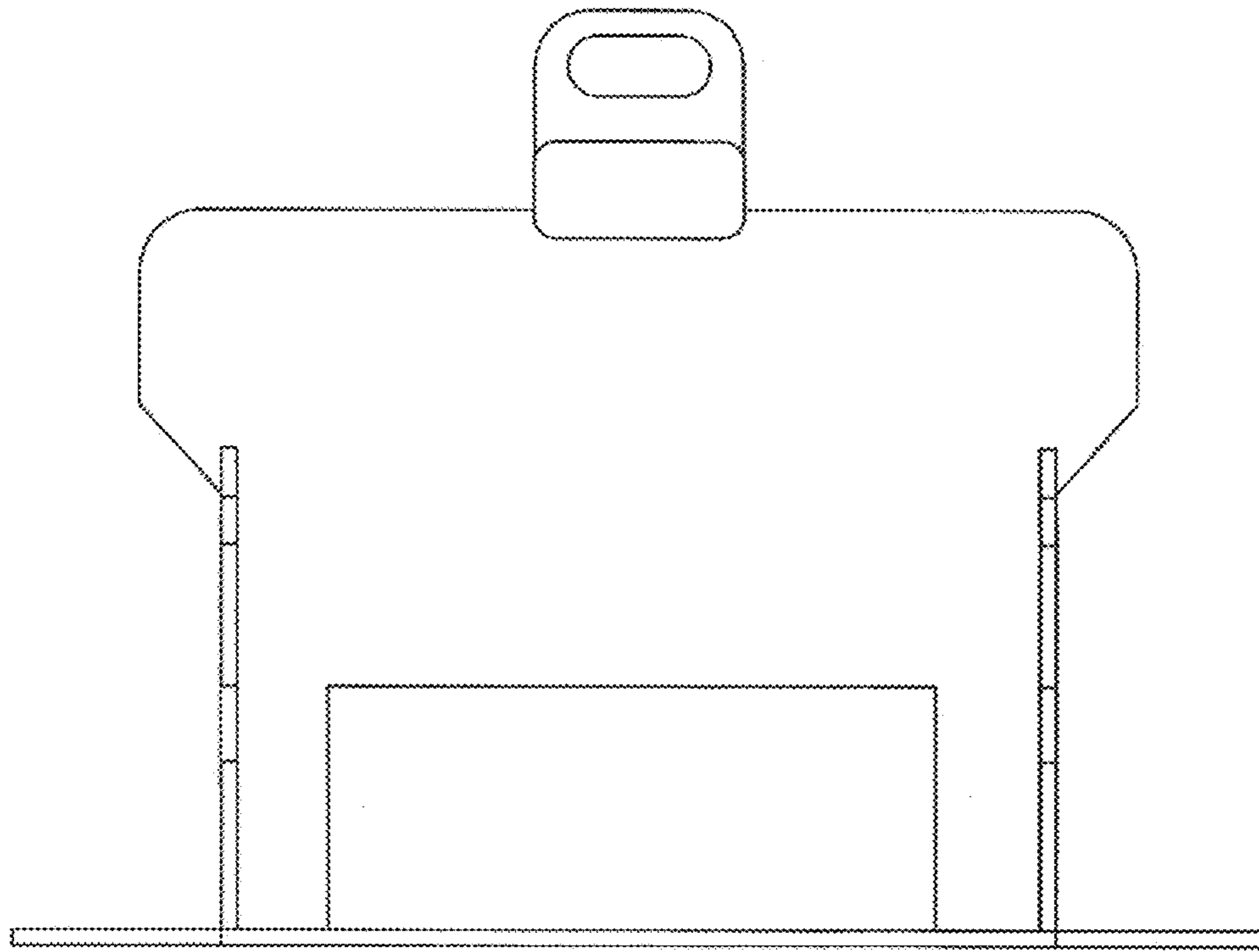


Fig. 3

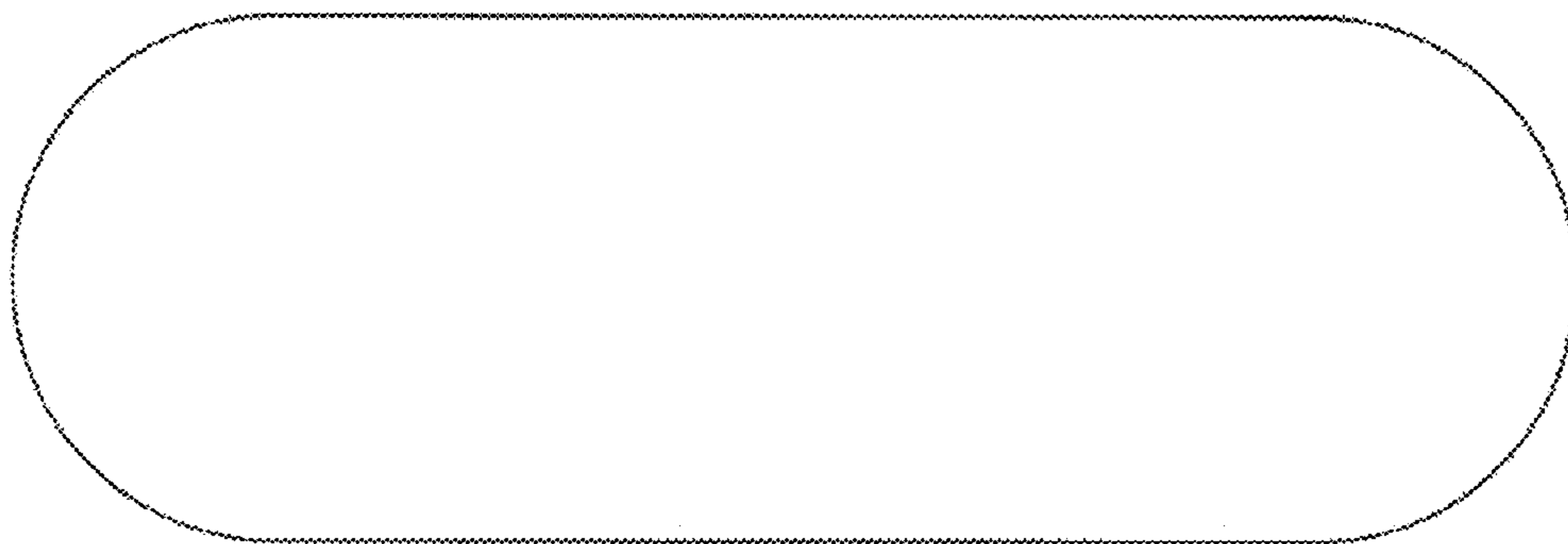


Fig. 4

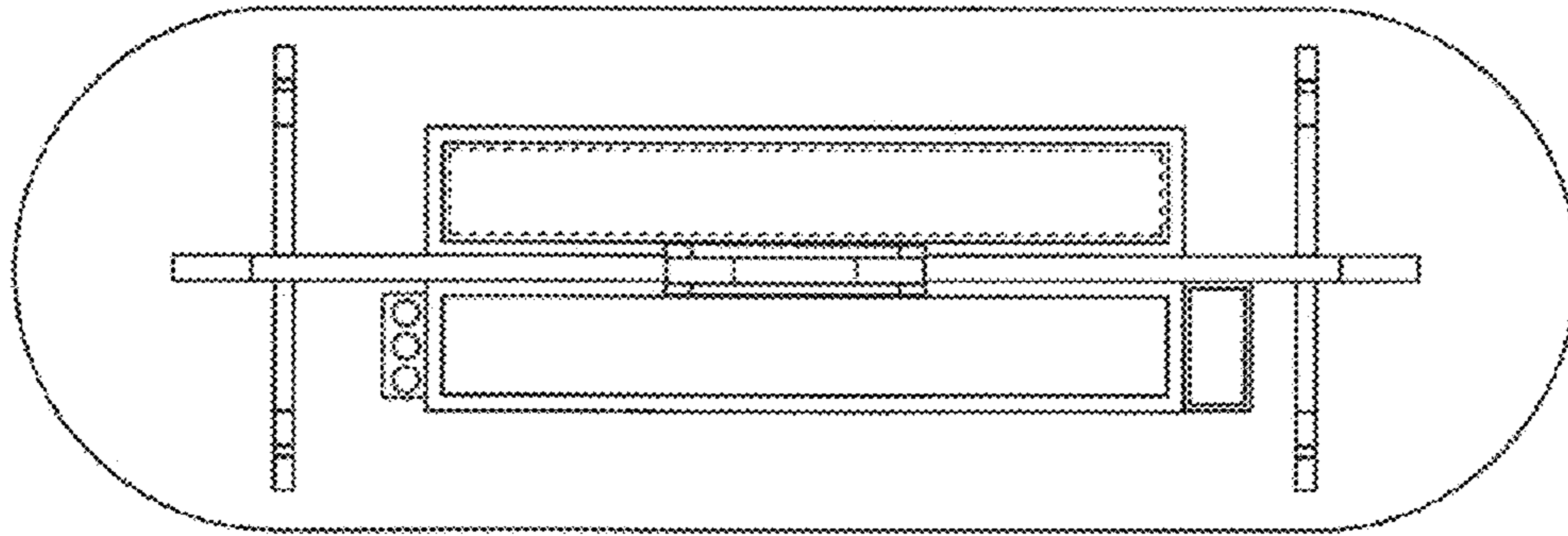


Fig. 5

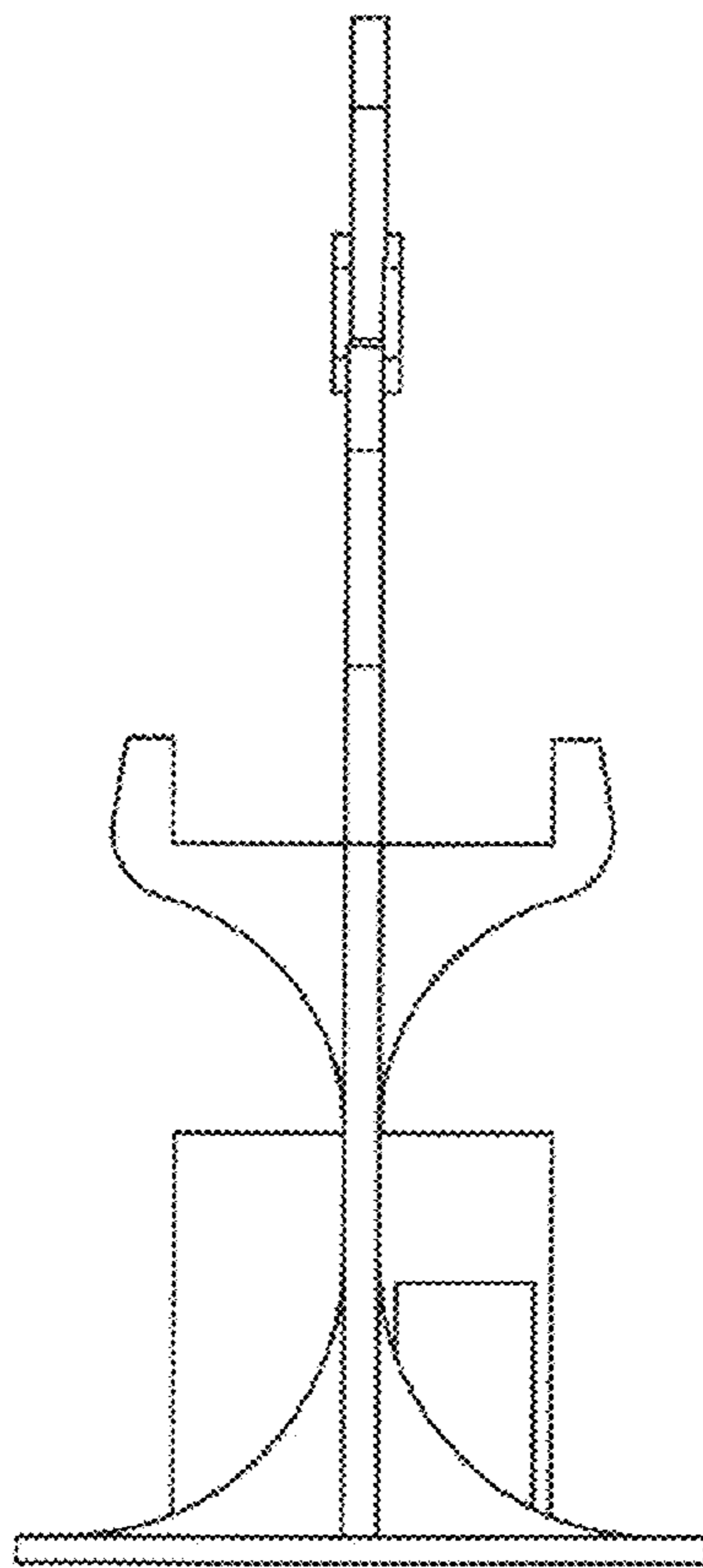


Fig. 6