



US00D724664S

(12) **United States Design Patent**  
**French**

(10) **Patent No.:** **US D724,664 S**  
(45) **Date of Patent:** **\*\* Mar. 17, 2015**

- (54) **STAPLE HOLDER**
- (71) Applicant: **Chad French**, Midland, MI (US)
- (72) Inventor: **Chad French**, Midland, MI (US)
- (\*\*) Term: **14 Years**
- (21) Appl. No.: **29/488,509**
- (22) Filed: **Apr. 21, 2014**

**Related U.S. Application Data**

- (63) Continuation-in-part of application No. 29/475,574, filed on Dec. 4, 2013, now abandoned.
- (51) **LOC (10) Cl.** ..... **19-02**
- (52) **U.S. Cl.**  
USPC ..... **D19/75**
- (58) **Field of Classification Search**  
USPC ..... D3/206; D6/512, 708, 708.16, 672, D6/682.1, 682.2; D7/701-708; D19/75-85, 91; 24/15, 3.2, 3.4, 3.5, 24/3.6; D8/396; 206/214; 211/69, 211/69.1-69.9, 70  
See application file for complete search history.

**References Cited**

**U.S. PATENT DOCUMENTS**

2,780,385	A	*	2/1957	Tupper	.....	220/797
3,589,554	A	*	6/1971	Smith	.....	220/23.83
3,682,522	A	*	8/1972	Splan	.....	312/184
D235,406	S	*	6/1975	Daenen	.....	D7/629
D238,148	S	*	12/1975	Dilot	.....	D7/629
D248,621	S	*	7/1978	Hay et al.	.....	D99/29
4,202,464	A	*	5/1980	Mohs et al.	.....	220/833
D264,145	S	*	5/1982	Outcalt	.....	D3/295
D284,944	S	*	8/1986	Carlson	.....	D9/425
D285,219	S	*	8/1986	Stein	.....	D19/92
D285,413	S	*	9/1986	Carlson	.....	D7/703
D292,718	S	*	11/1987	Stein	.....	D19/92
D319,977	S	*	9/1991	Curry	.....	D3/312

D326,559	S	*	6/1992	Szablak et al.	.....	D3/281
D330,161	S	*	10/1992	Schuh	.....	D9/423
D396,063	S	*	7/1998	Elmer et al.	.....	D19/75
D517,318	S	*	3/2006	Ruybal	.....	D3/302
D531,798	S	*	11/2006	Ringo	.....	D3/273
D598,740	S	*	8/2009	Auer et al.	.....	D9/424
D615,858	S	*	5/2010	Prevost	.....	D9/415
D631,337	S	*	1/2011	Prevost	.....	D9/421
D654,176	S	*	2/2012	Griffith et al.	.....	D24/186
D694,616	S	*	12/2013	Prevost	.....	D9/420

\* cited by examiner

*Primary Examiner* — Elizabeth Albert

(74) *Attorney, Agent, or Firm* — Daniel Boudwin; Global Intellectual Property Agency LLC

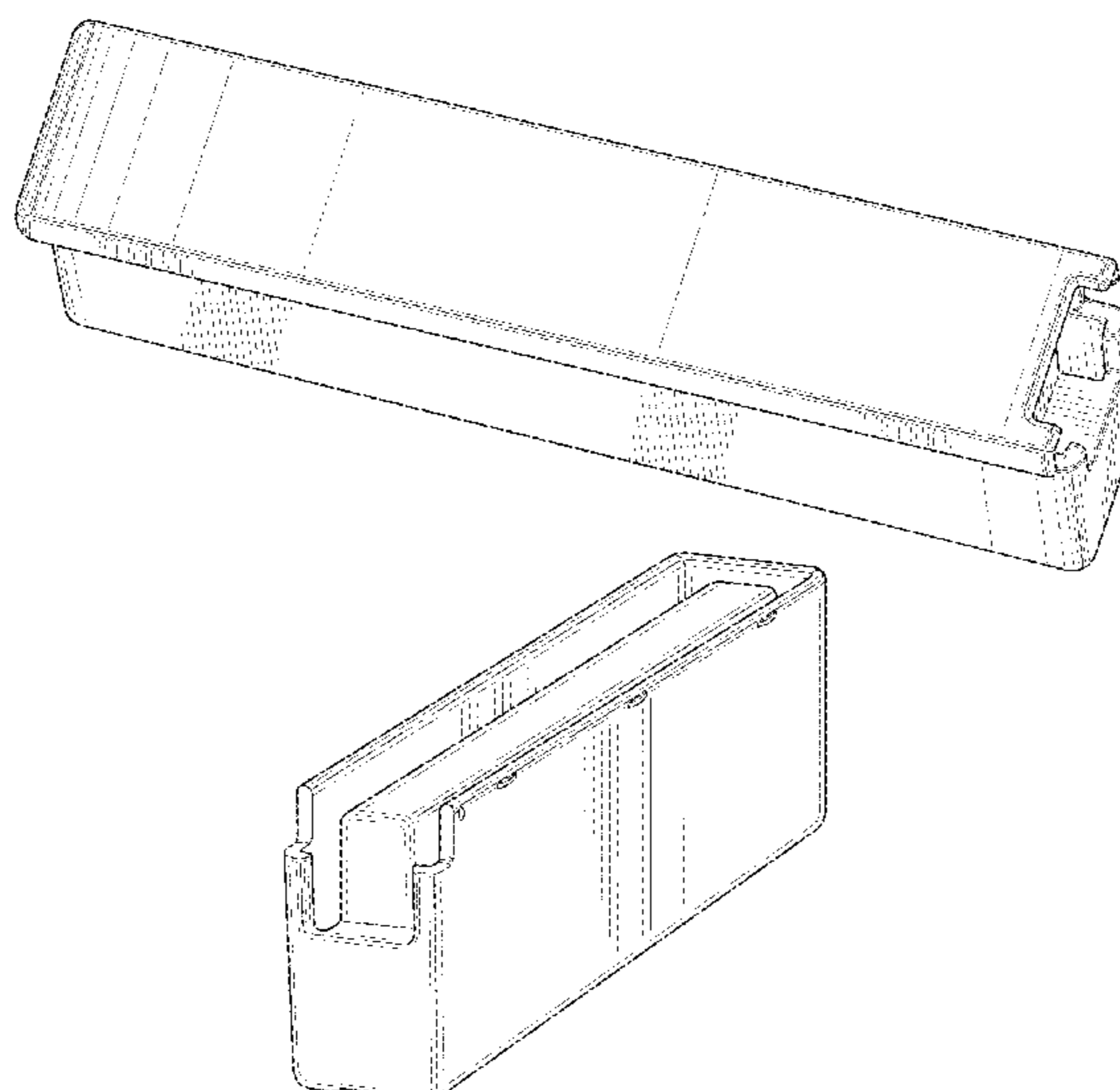
(57) **CLAIM**

The ornamental design for a staple holder, as shown and described.

**DESCRIPTION**

FIG. 1 is a top perspective view of the staple holder showing my new design.  
 FIG. 2 is an exploded first end view of FIG. 1.  
 FIG. 3 is an exploded second end view of FIG. 1.  
 FIG. 4 is an exploded first side view of FIG. 1.  
 FIG. 5 is an exploded second side view of FIG. 1.  
 FIG. 6 is a bottom view of the bottom portion of FIG. 1 shown by itself for convenience.  
 FIG. 7 is a bottom view of the lid of FIG. 1 shown by itself for convenience.  
 FIG. 8 is top view of FIG. 6.  
 FIG. 9 is a top view of FIG. 7.  
 FIG. 10 is a bottom perspective view of FIG. 6.  
 FIG. 11 is another bottom perspective view of FIG. 6.  
 FIG. 12 is a perspective end view of FIG. 8.  
 FIG. 13 is another perspective end view of FIG. 8.  
 FIG. 14 is still another perspective end view of FIG. 8.  
 FIG. 15 is a bottom perspective view of FIG. 7; and,  
 FIG. 16 is another bottom perspective view of FIG. 7.

**1 Claim, 10 Drawing Sheets**



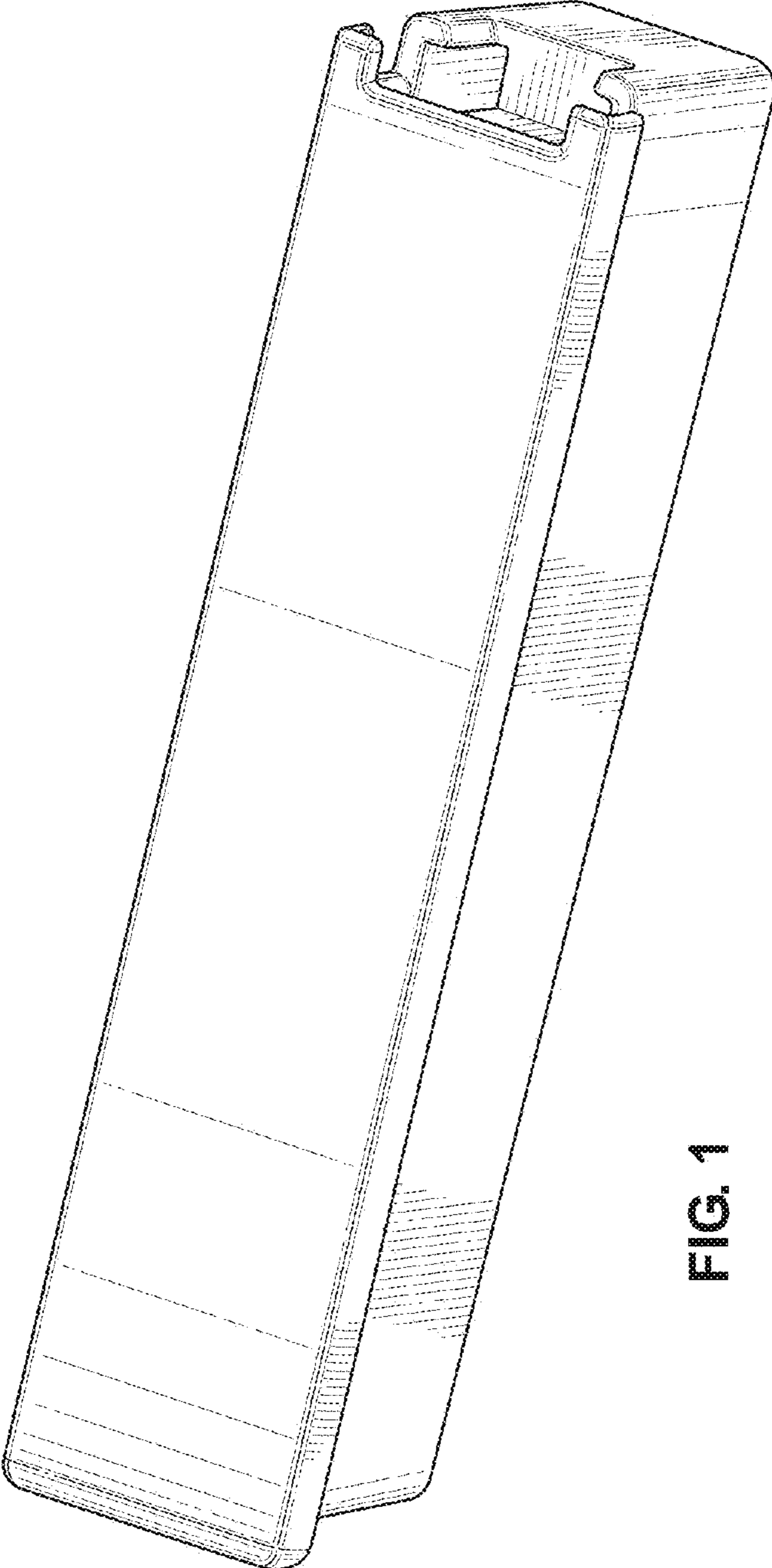


FIG. 1

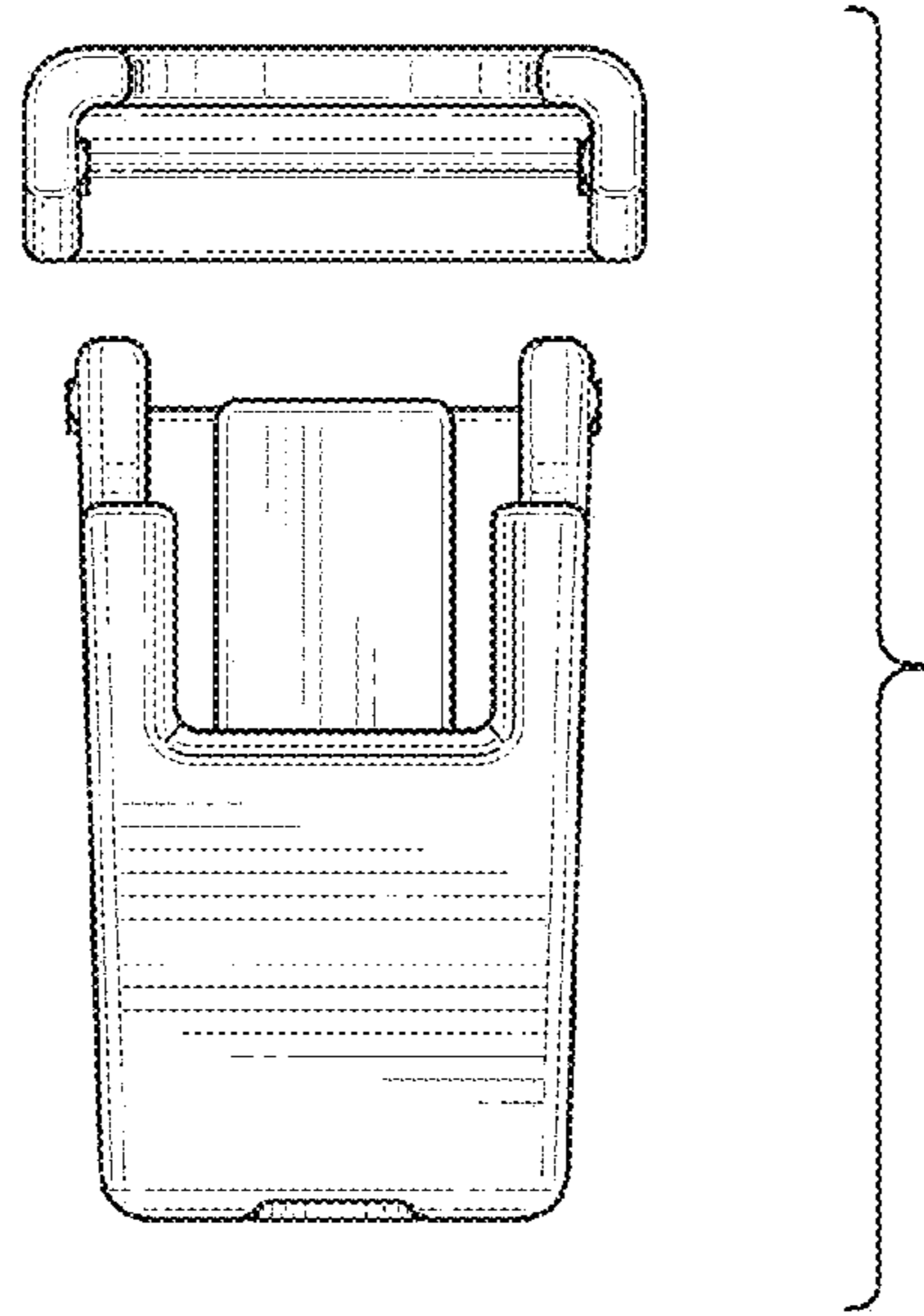


FIG. 2

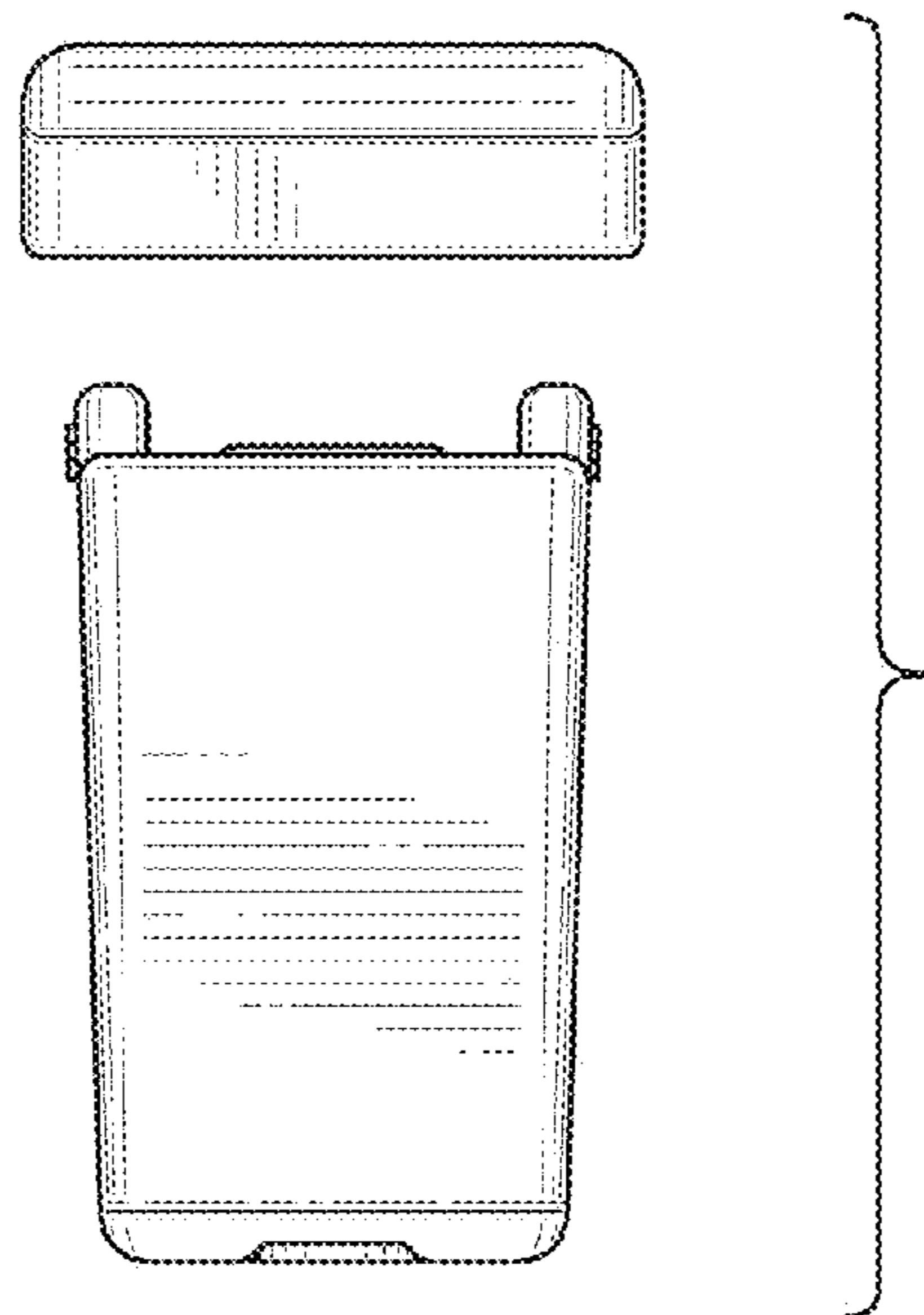


FIG. 3

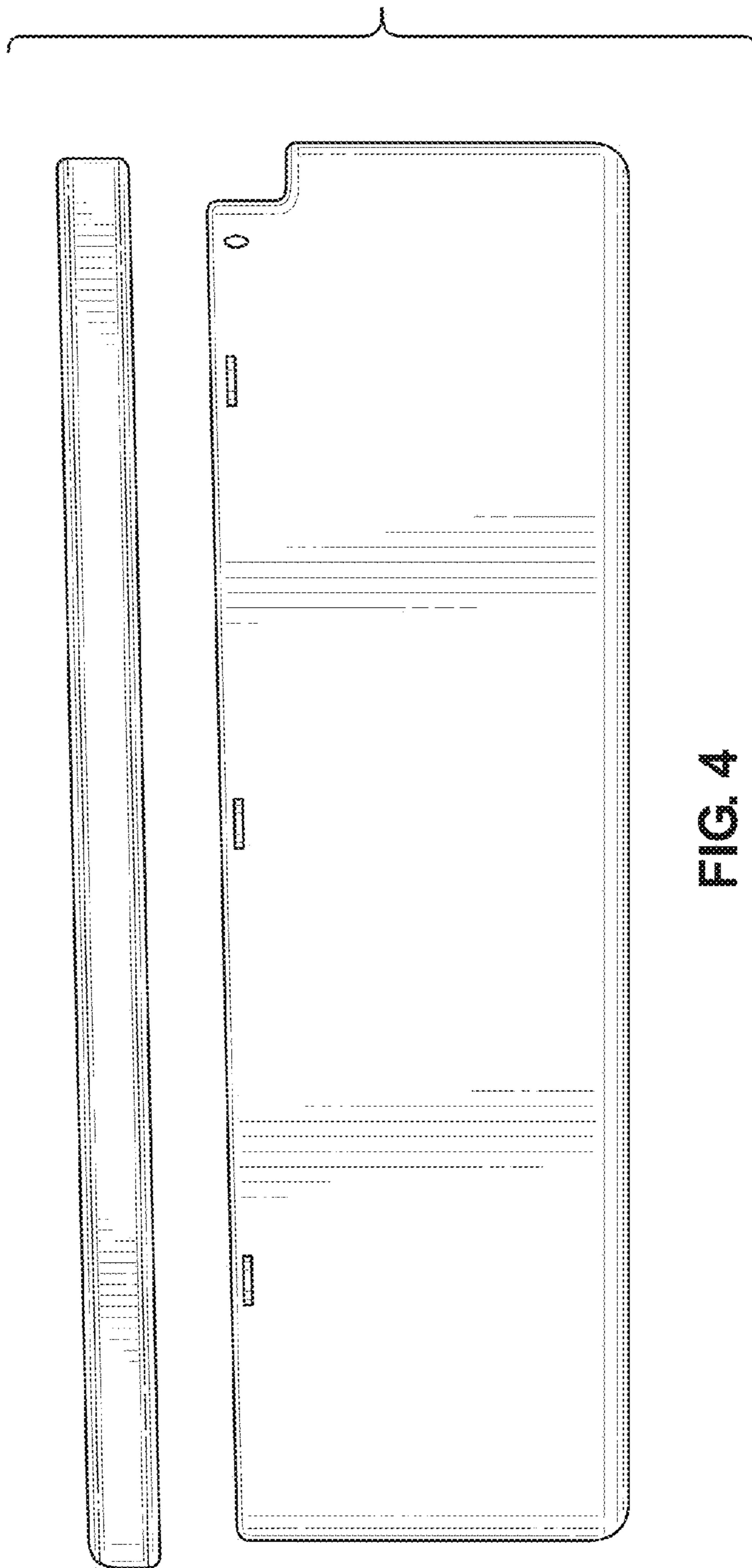


FIG. 4

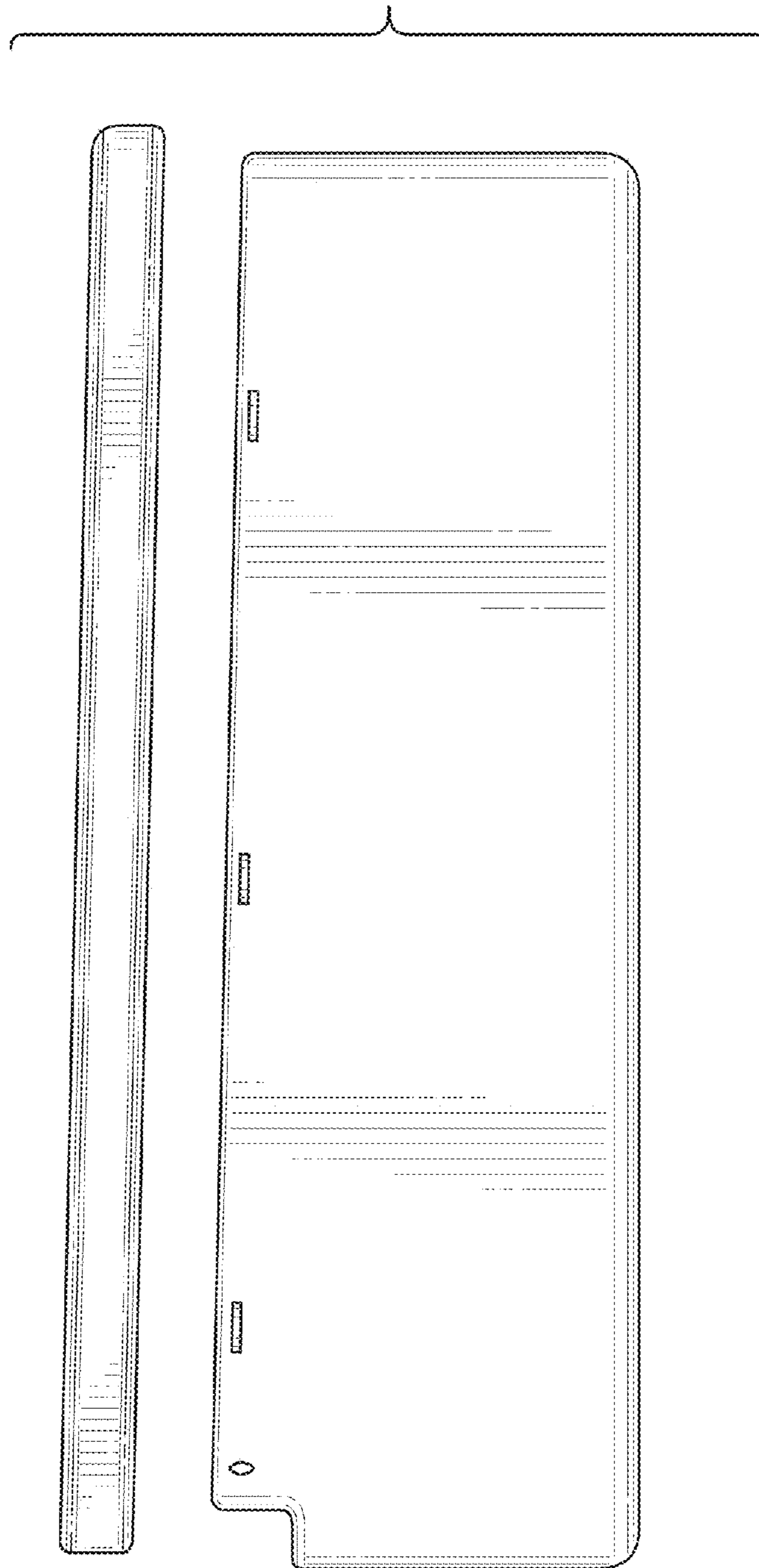


FIG. 5



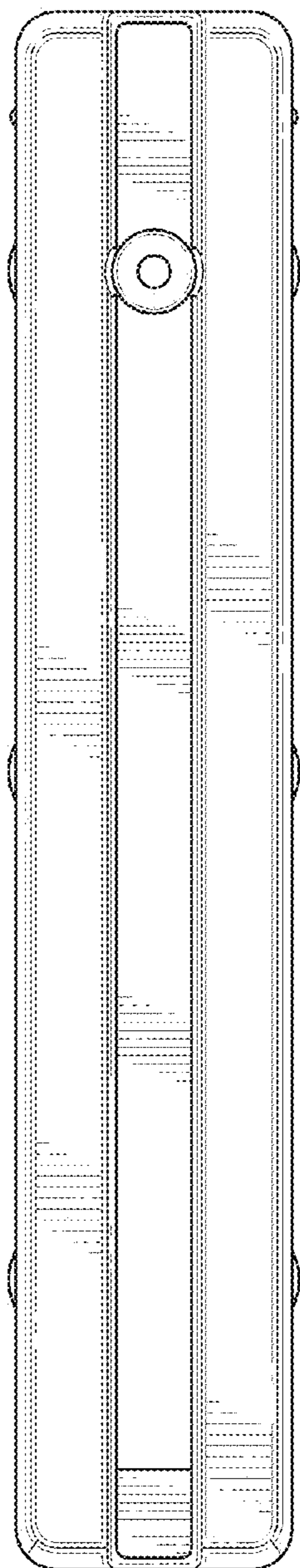


FIG. 6

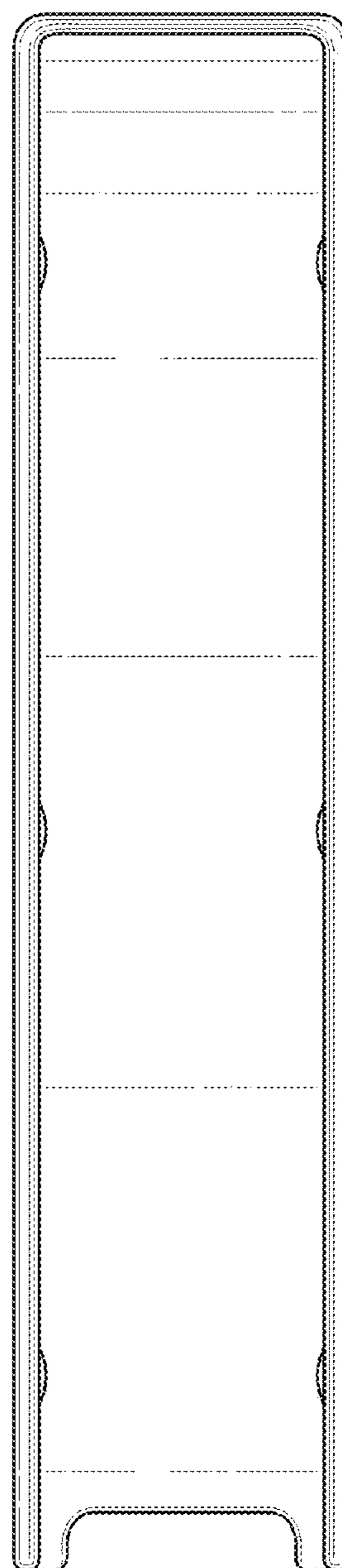


FIG. 7

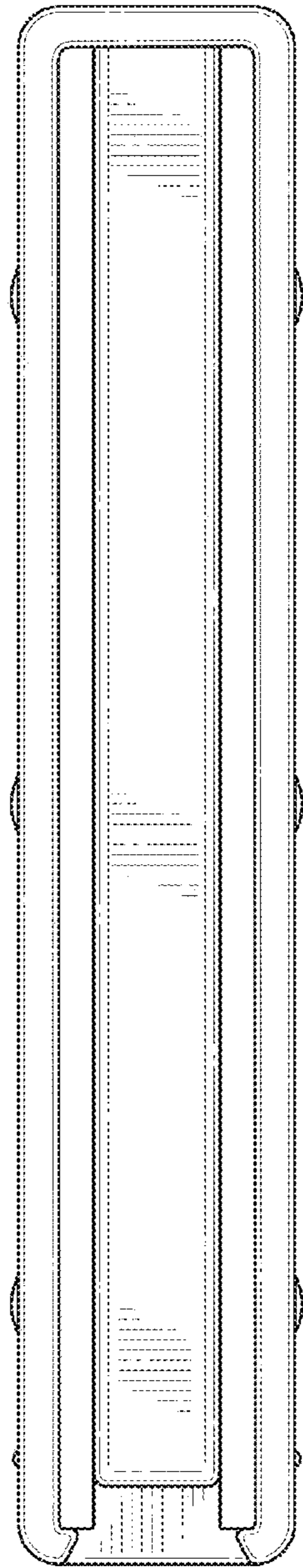


FIG. 8

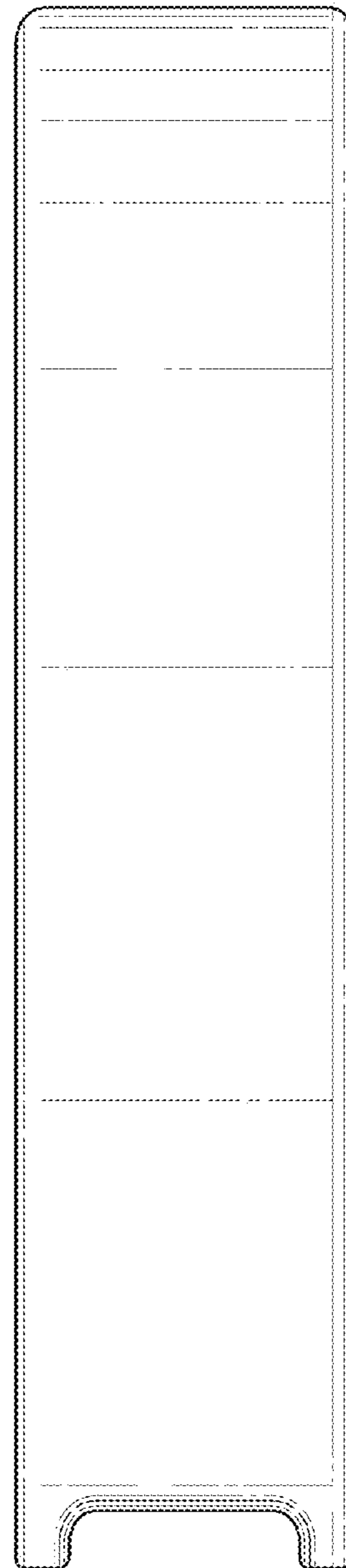


FIG. 9

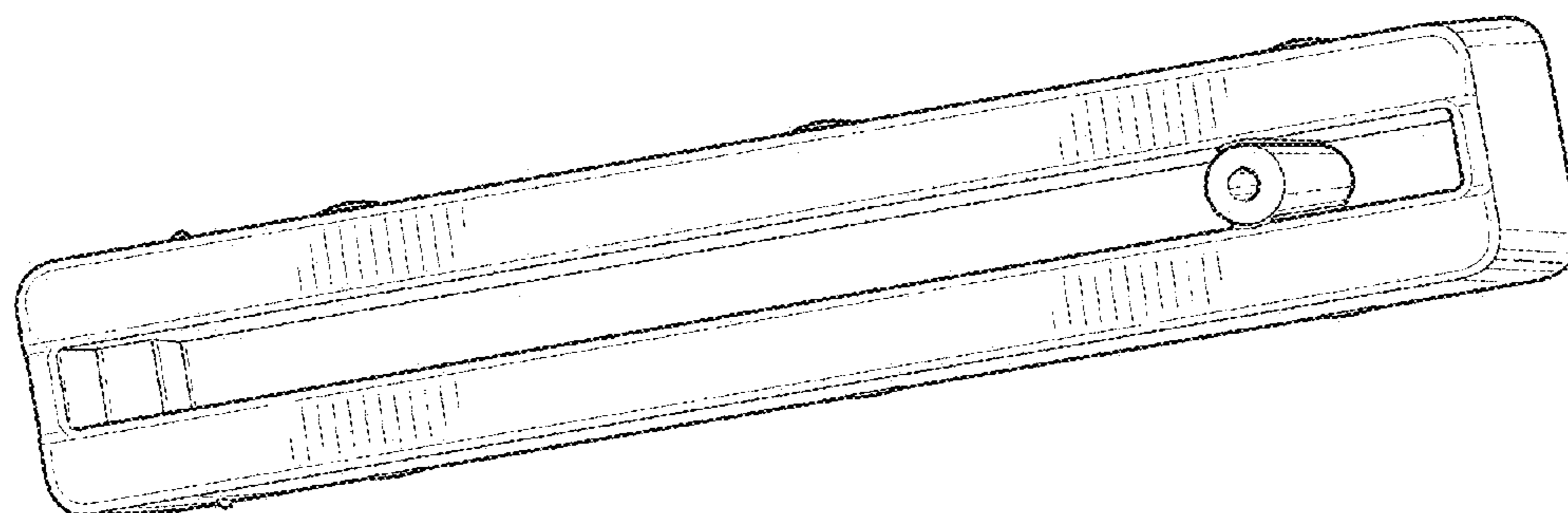


FIG. 10

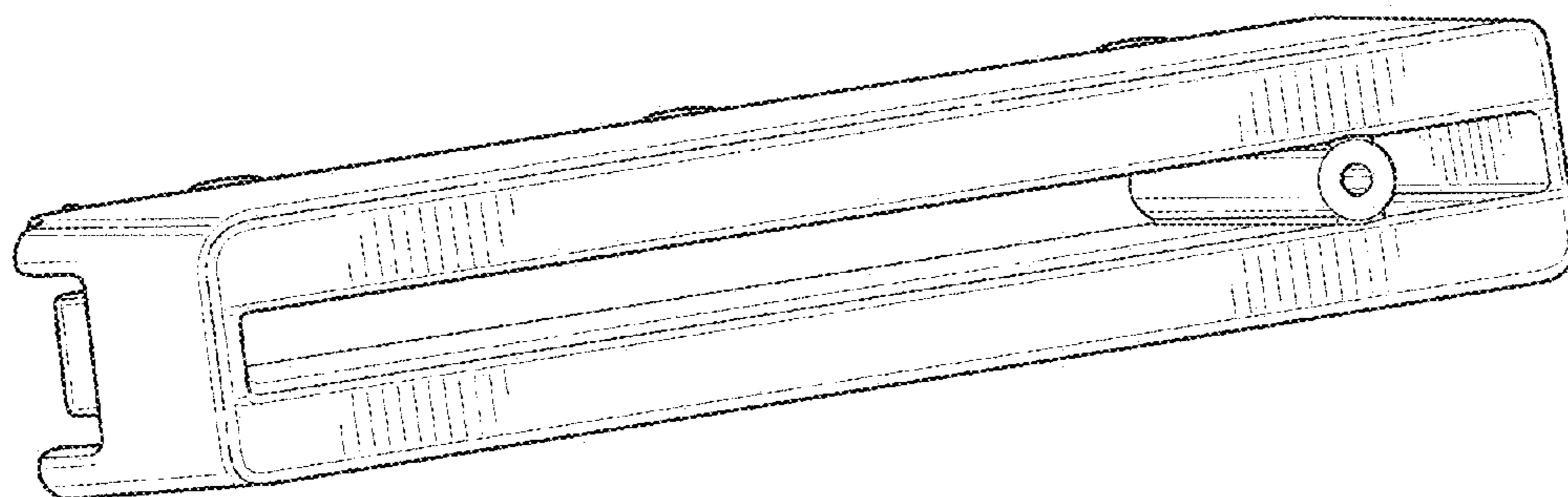


FIG. 11



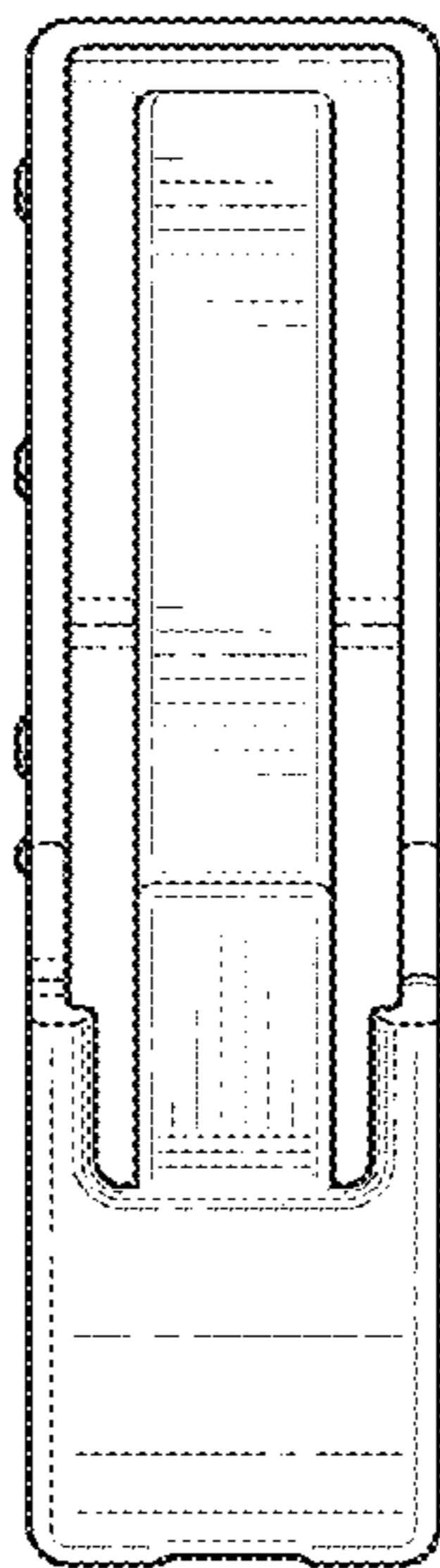


FIG. 12

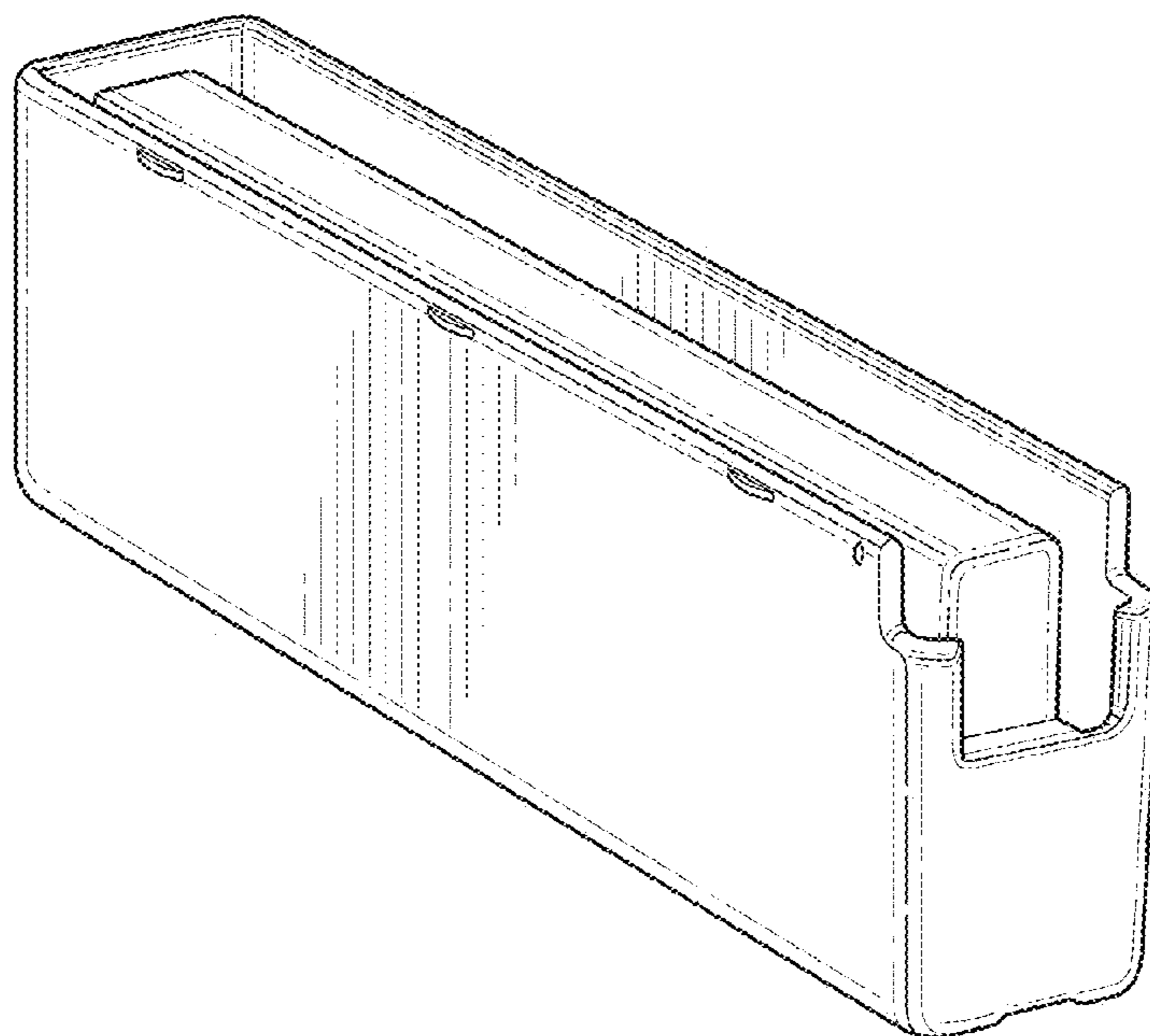


FIG. 13

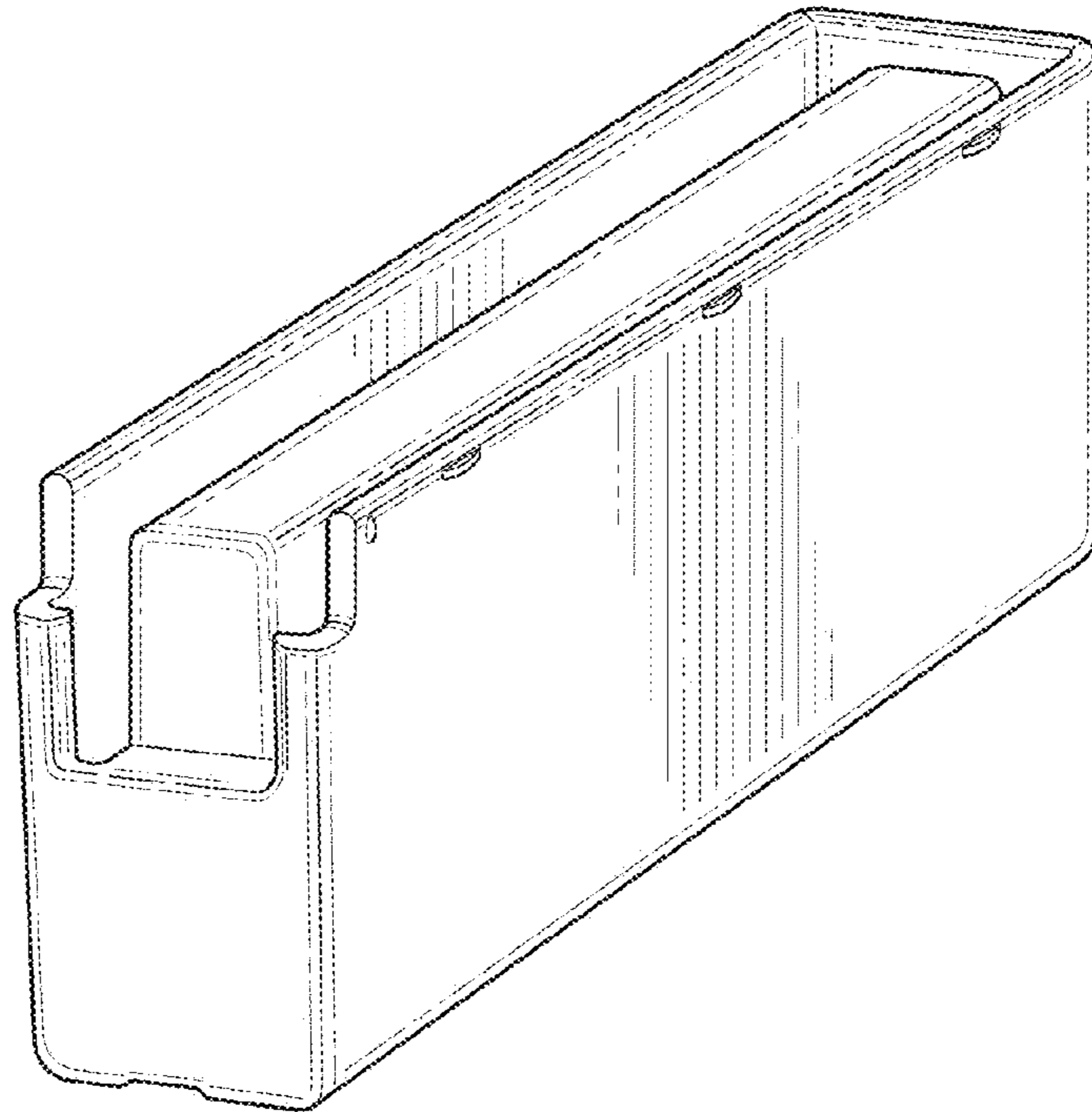


FIG. 14

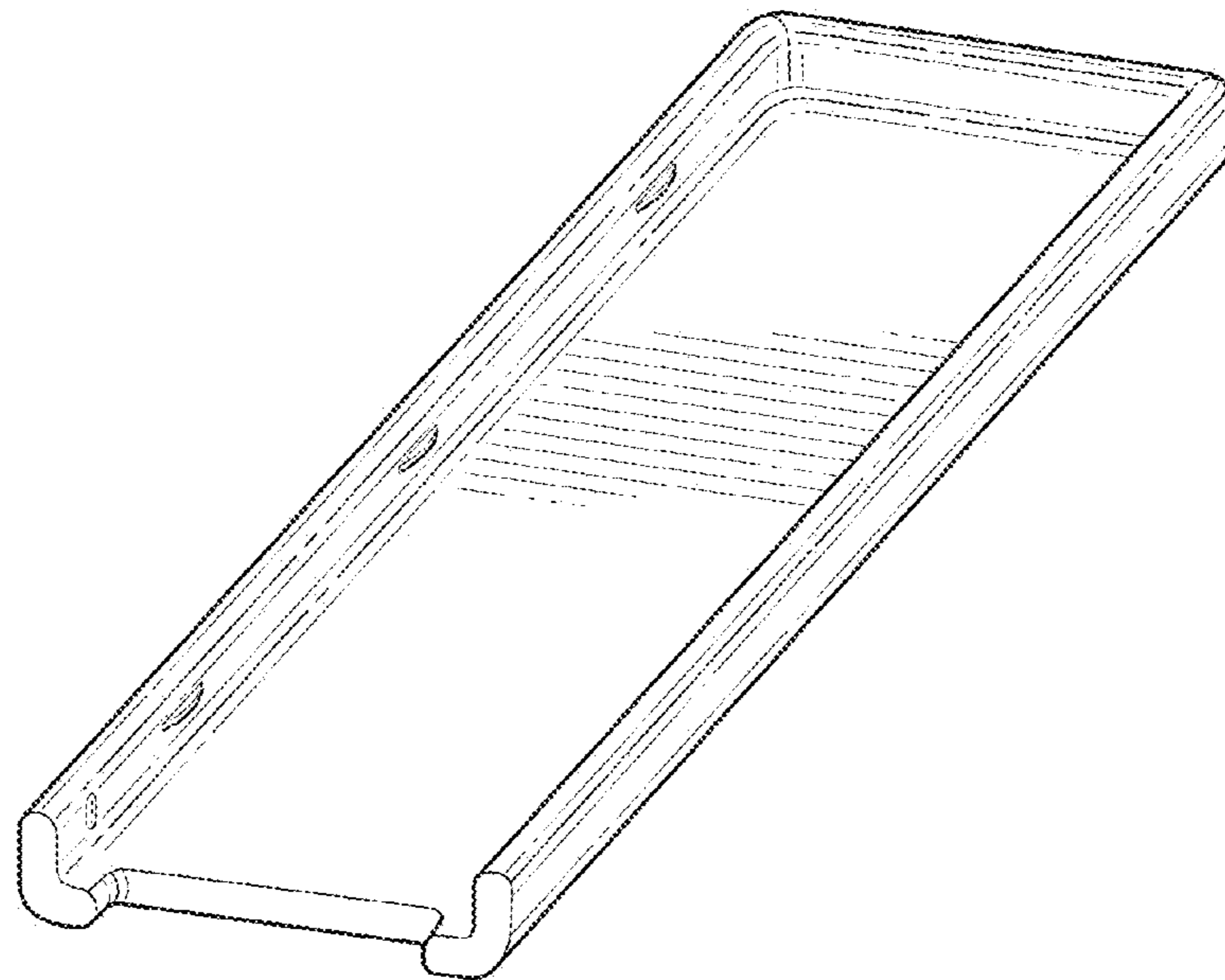


FIG. 15

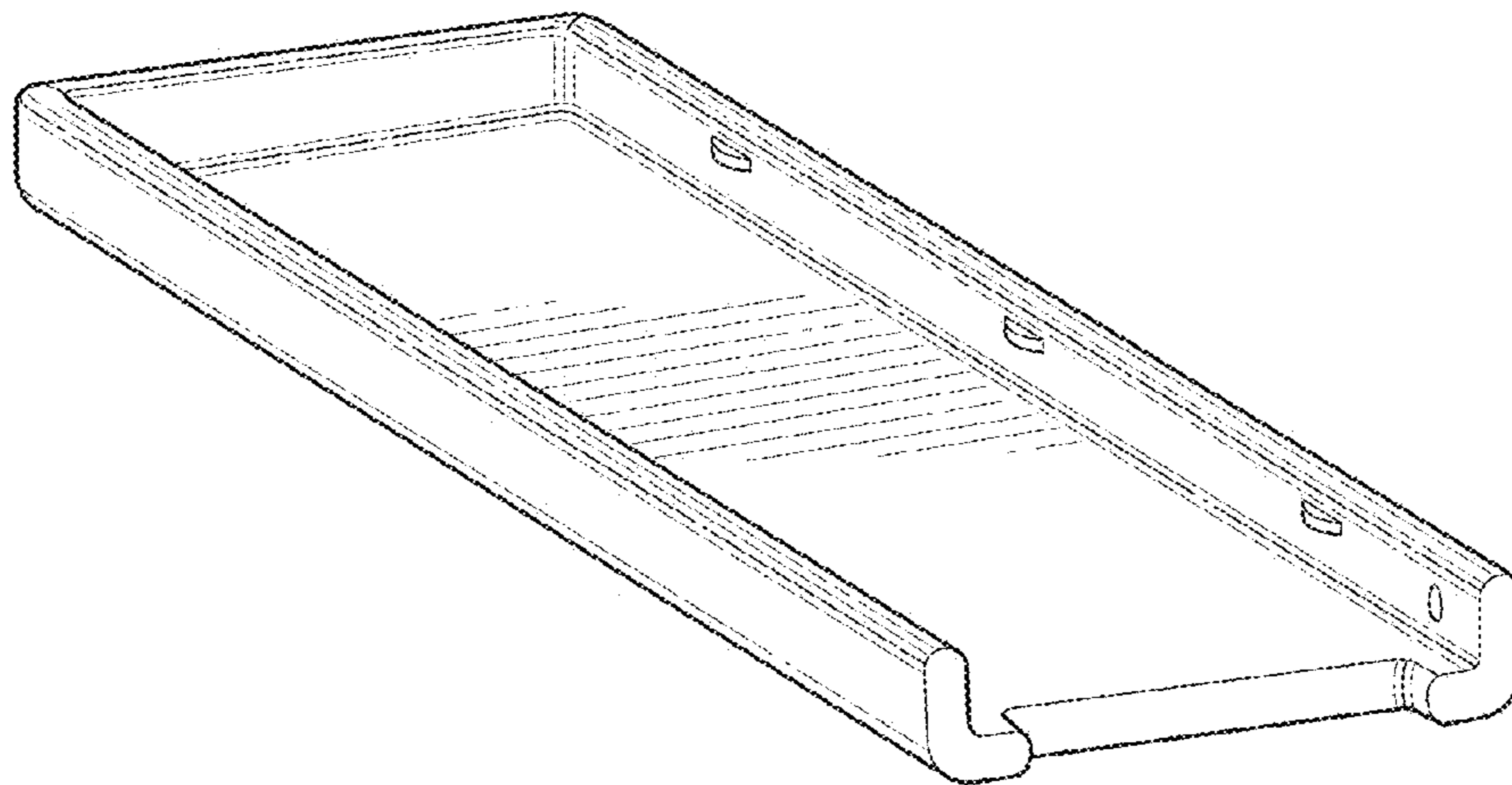


FIG. 16