



US00D724663S

(12) **United States Design Patent**
Khayat et al.

(10) **Patent No.:** **US D724,663 S**
(45) **Date of Patent:** **** Mar. 17, 2015**

- (54) **BOOKMARK**
- (71) Applicant: **ALKILU Enterprises LLC**, Los Angeles, CA (US)
- (72) Inventors: **Alex Khayat**, Studio City, CA (US); **Salvatore Primo**, Austin, TX (US)
- (73) Assignee: **ALKILU Enterprises LLC**, Los Angeles, CA (US)
- (**) Term: **14 Years**
- (21) Appl. No.: **29/480,009**
- (22) Filed: **Jan. 22, 2014**
- (51) **LOC (10) Cl.** **19-99**
- (52) **U.S. Cl.**
USPC **D19/34**
- (58) **Field of Classification Search**
USPC D19/32, 34, 65, 26, 99, 100; D20/22, D20/23, 27, 40, 99; 281/15.1, 42, 51; 116/234, 235, 240; 362/611, 612, 387, 362/99, 98, 457, 458
See application file for complete search history.

D603,992 S *	11/2009	Sabernig	D26/63
D621,537 S *	8/2010	Borovicka et al.	D26/43
D657,424 S *	4/2012	Podd	D20/42
D660,913 S *	5/2012	Podd	D20/42
D661,745 S *	6/2012	Podd	D20/42
D662,146 S *	6/2012	Podd	D20/42
D712,968 S *	9/2014	Gorelick et al.	D20/10
2007/0296201 A1 *	12/2007	Grossmeyer et al.	281/42
2009/0107392 A1 *	4/2009	Brooks	116/236

OTHER PUBLICATIONS

Hauck, D., "Ray Travel Light," *Designboom® Architecture & Design Magazine*, 4 pages (May 11, 2013).

* cited by examiner

Primary Examiner — Sheryl Lane

Assistant Examiner — Ieisha Price

(74) *Attorney, Agent, or Firm* — Hamilton, Brook, Smith & Reynolds, P.C.

(57) **CLAIM**

The ornamental design for a bookmark, as shown and described.

DESCRIPTION

FIG. 1 is a front perspective view of a bookmark showing the Applicants' new design.

FIG. 2 is a front view of the bookmark design of FIG. 1.

FIG. 3 is a left side view of the bookmark design of FIG. 1.

FIG. 4 is a bottom view of the bookmark design of FIG. 1.

FIG. 5 is a top view of the bookmark design of FIG. 1.

FIG. 6 is a back view of the bookmark design of FIG. 1; and,

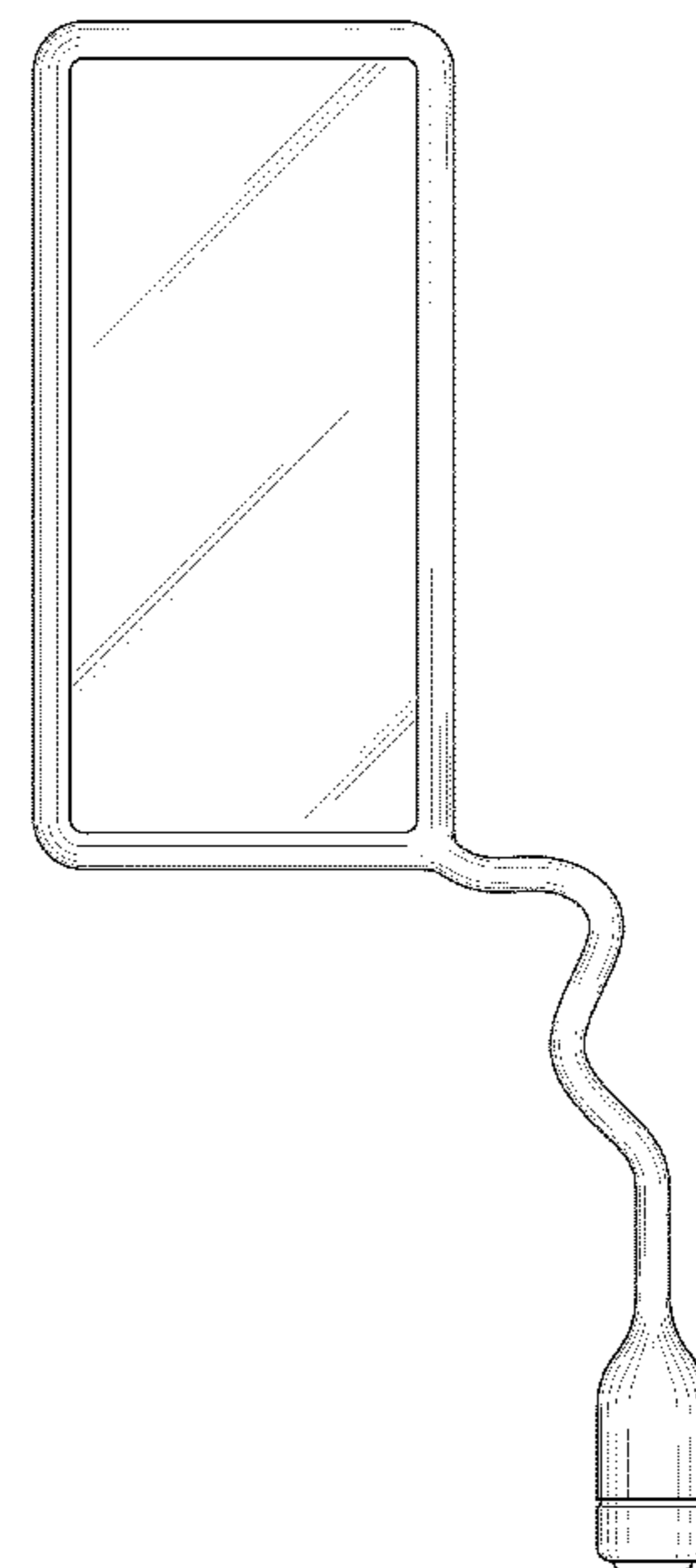
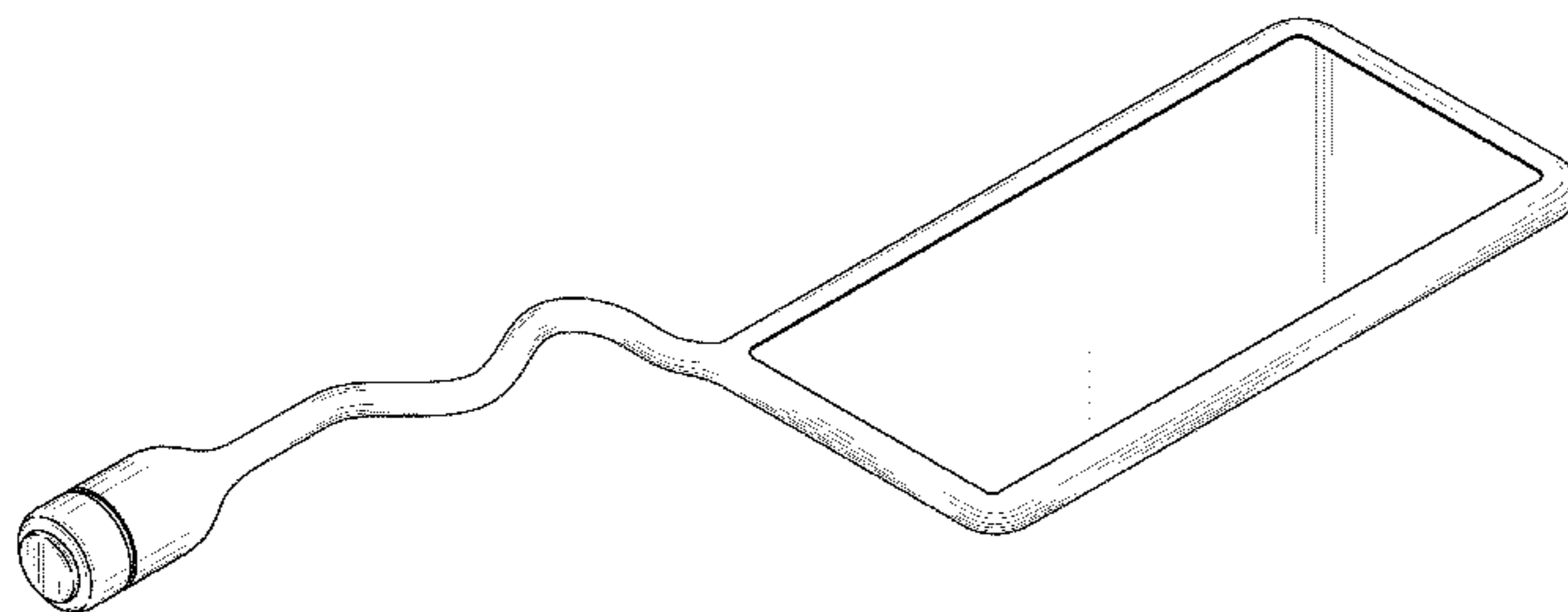
FIG. 7 is a right side view of the bookmark design of FIG. 1.

1 Claim, 3 Drawing Sheets

(56) **References Cited**

U.S. PATENT DOCUMENTS

3,384,984 A *	5/1968	Field	40/662
D300,835 S *	4/1989	Stevens	D20/27
D348,486 S *	7/1994	Fischtein et al.	D20/40
D443,655 S *	6/2001	Chaikel et al.	D20/27
D476,106 S *	6/2003	Kim	D26/62
D488,832 S *	4/2004	Ortega	D19/34
D490,113 S *	5/2004	Nykoluk	D20/27
D492,345 S *	6/2004	Ortega	D19/34
D563,011 S *	2/2008	Major	D26/61



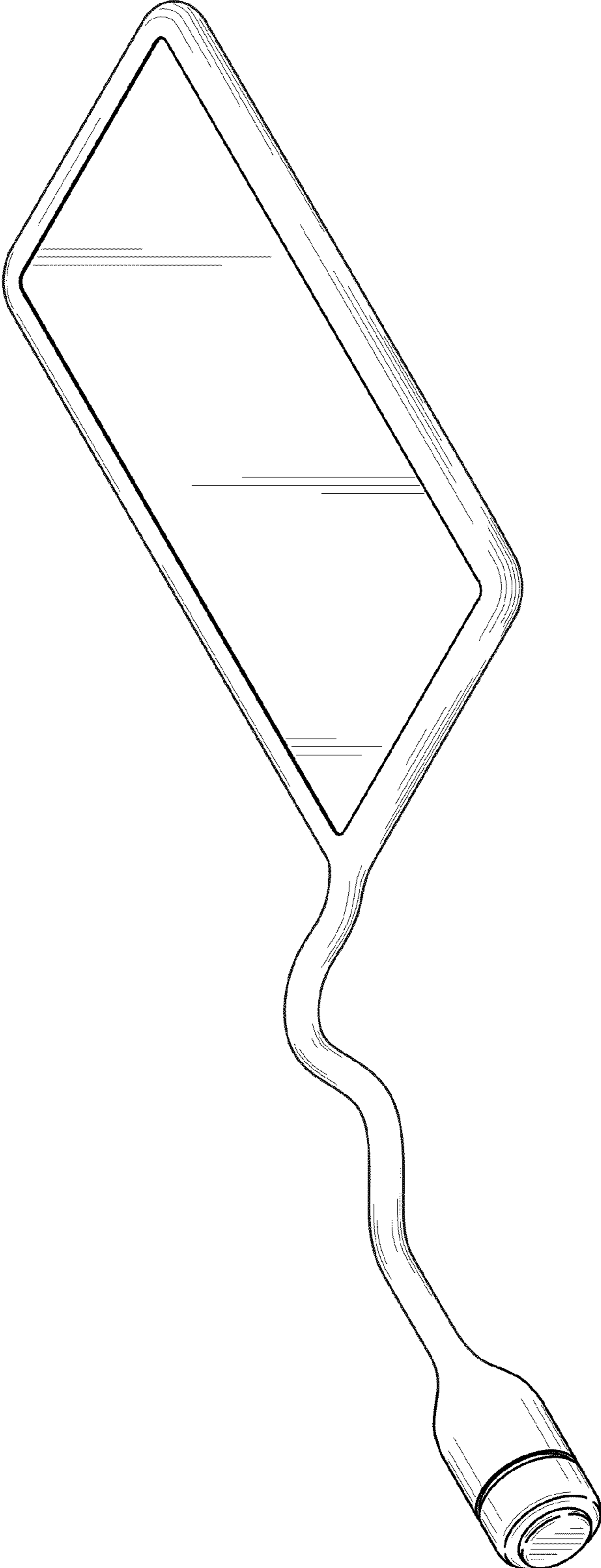


FIG. 1

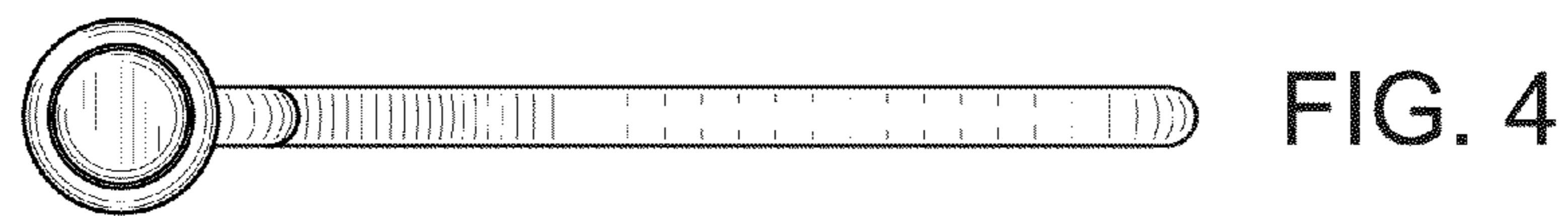
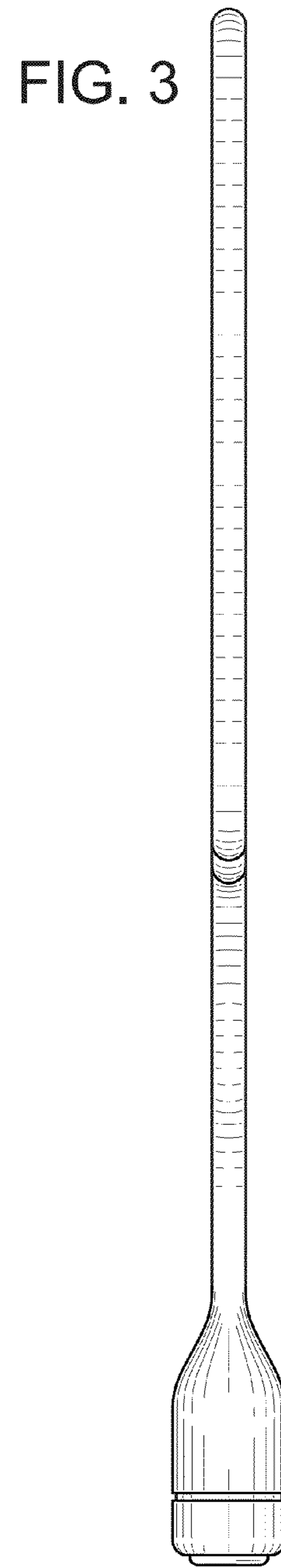
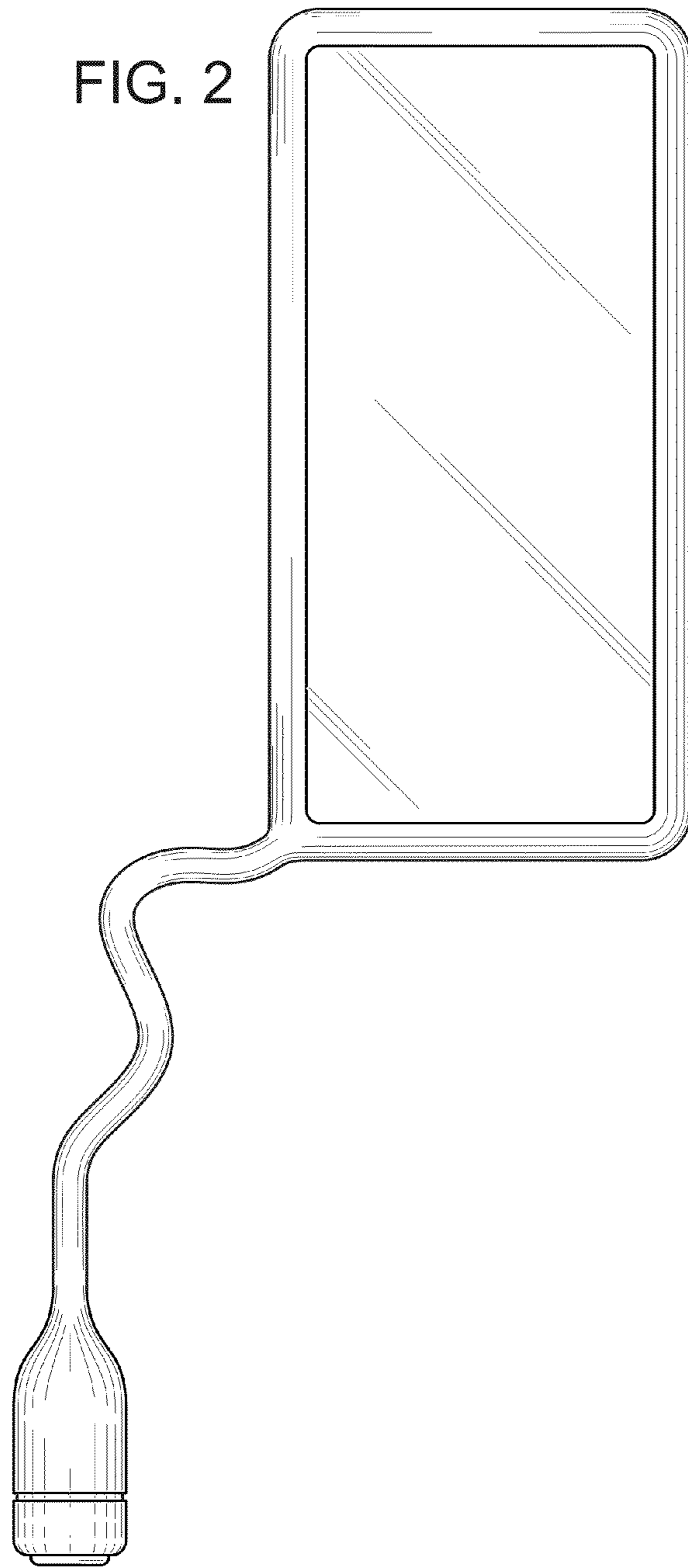


FIG. 5

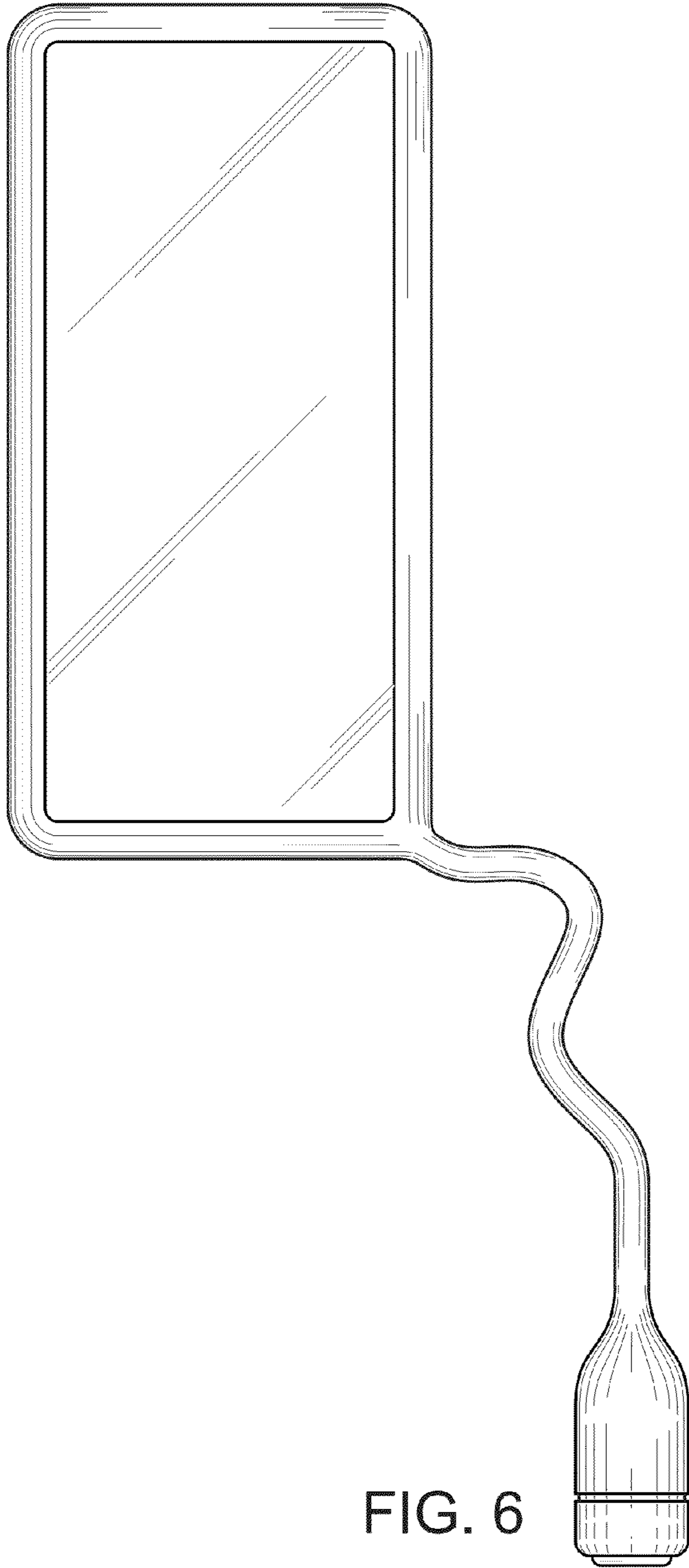
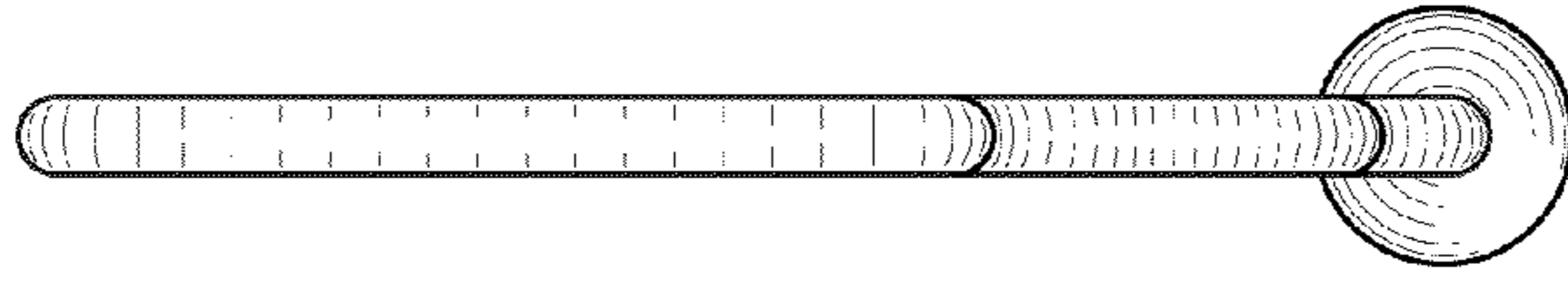


FIG. 6

FIG. 7

