



US00D724662S

(12) **United States Design Patent**
Carey

(10) **Patent No.:** **US D724,662 S**
(45) **Date of Patent:** **** Mar. 17, 2015**

- (54) **DUAL-POCKETED SLEEVE**
- (71) Applicant: **Tavnir J Carey**, West Jordan, UT (US)
- (72) Inventor: **Tavnir J Carey**, West Jordan, UT (US)
- (**) Term: **14 Years**
- (21) Appl. No.: **29/443,873**
- (22) Filed: **Jan. 23, 2013**
- (51) **LOC (10) Cl.** **19-04**
- (52) **U.S. Cl.**
USPC **D19/26**
- (58) **Field of Classification Search**
USPC D19/26, 27, 32, 33, 100, 86; 40/1,
40/124.06, 124, 191; 150/131, 150, 151,
150/152; 281/2, 20, 38, 40, 41, 51, 151;
402/7, 19, 20, 21, 22, 46, 47, 58, 79,
402/80 R, 80 P; D3/247; 206/425; 353/12
See application file for complete search history.

5,857,705	A *	1/1999	Dahlquist	281/5
D418,875	S *	1/2000	Paik	D19/86
6,027,140	A *	2/2000	Plutsky	281/38
6,183,158	B1 *	2/2001	Lynton	402/79
D458,633	S *	6/2002	Nada et al.	D19/26
D467,610	S *	12/2002	Barton	D19/33
8,007,007	B1 *	8/2011	Ngan	281/36
2014/0294482	A1 *	10/2014	Carey	402/79

* cited by examiner

Primary Examiner — Sheryl Lane

Assistant Examiner — Ieisha Price

(74) *Attorney, Agent, or Firm* — Jeffery M. Lillywhite, PC

(57) **CLAIM**

The ornamental design for a dual-pocketed sleeve, as shown and described.

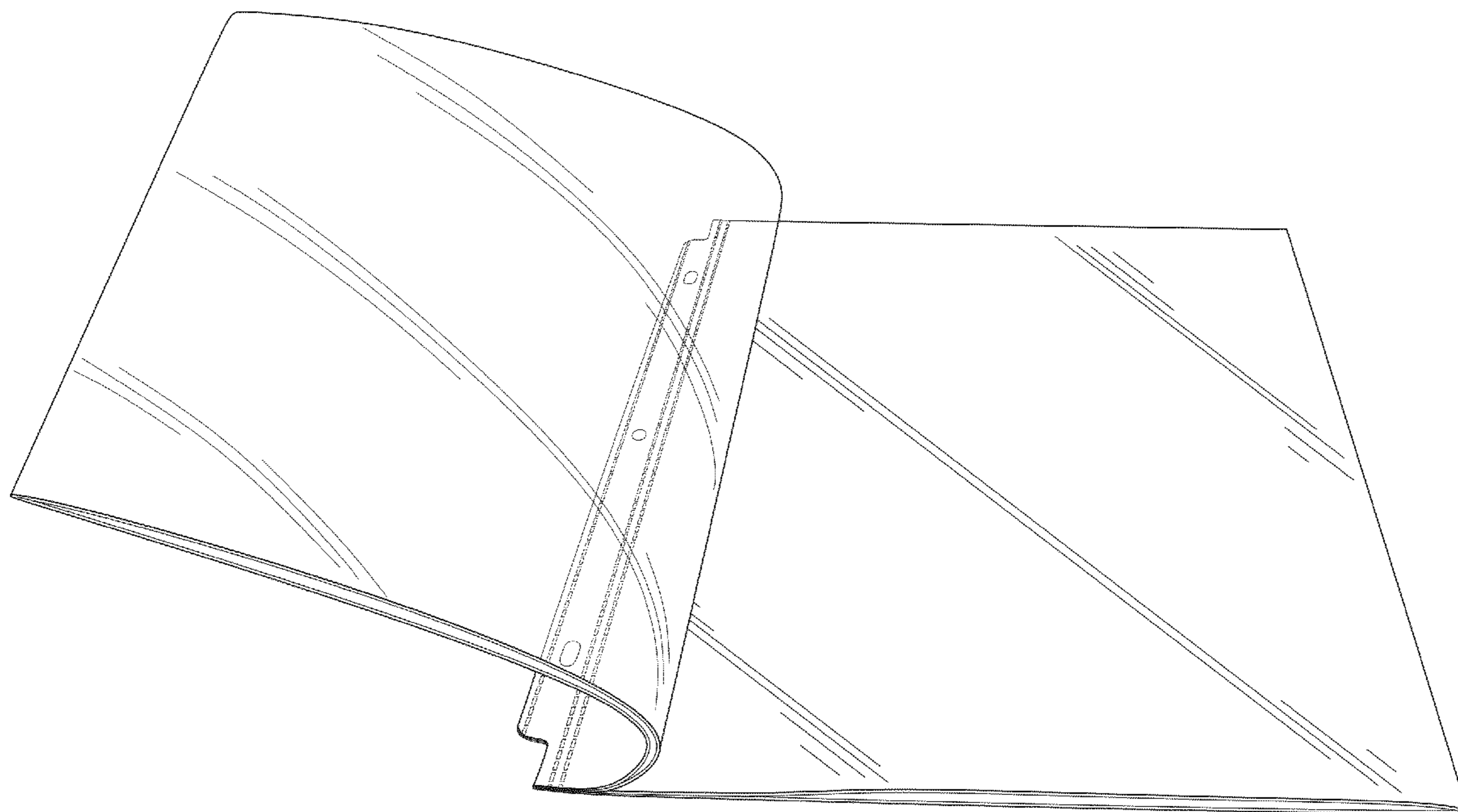
DESCRIPTION

FIG. 1 is a first perspective view of a dual-pocketed sleeve of my new design;
 FIG. 2 is a front view thereof;
 FIG. 3 is a top view thereof;
 FIG. 4 is a bottom view thereof;
 FIG. 5 is a first side view thereof;
 FIG. 6 is a second side view thereof;
 FIG. 7 is an enlarged cross-section view taken along line 7-7 in FIG. 2; and,
 FIG. 8 is a perspective view of the dual-pocketed sleeve in a spread position.
 The 7 is a partial view shown enlarged for ease of illustration.

1 Claim, 4 Drawing Sheets

(56) **References Cited**
 U.S. PATENT DOCUMENTS

D134,884	S *	1/1943	Nada	D3/247
2,558,996	A *	7/1951	Carey	281/20
D261,155	S *	10/1981	Nast	D19/33
D262,891	S *	2/1982	Nast	D19/33
5,114,009	A *	5/1992	Johnston	206/425
5,335,027	A *	8/1994	Lin et al.	353/120
D400,578	S *	11/1998	Takemura	D19/26



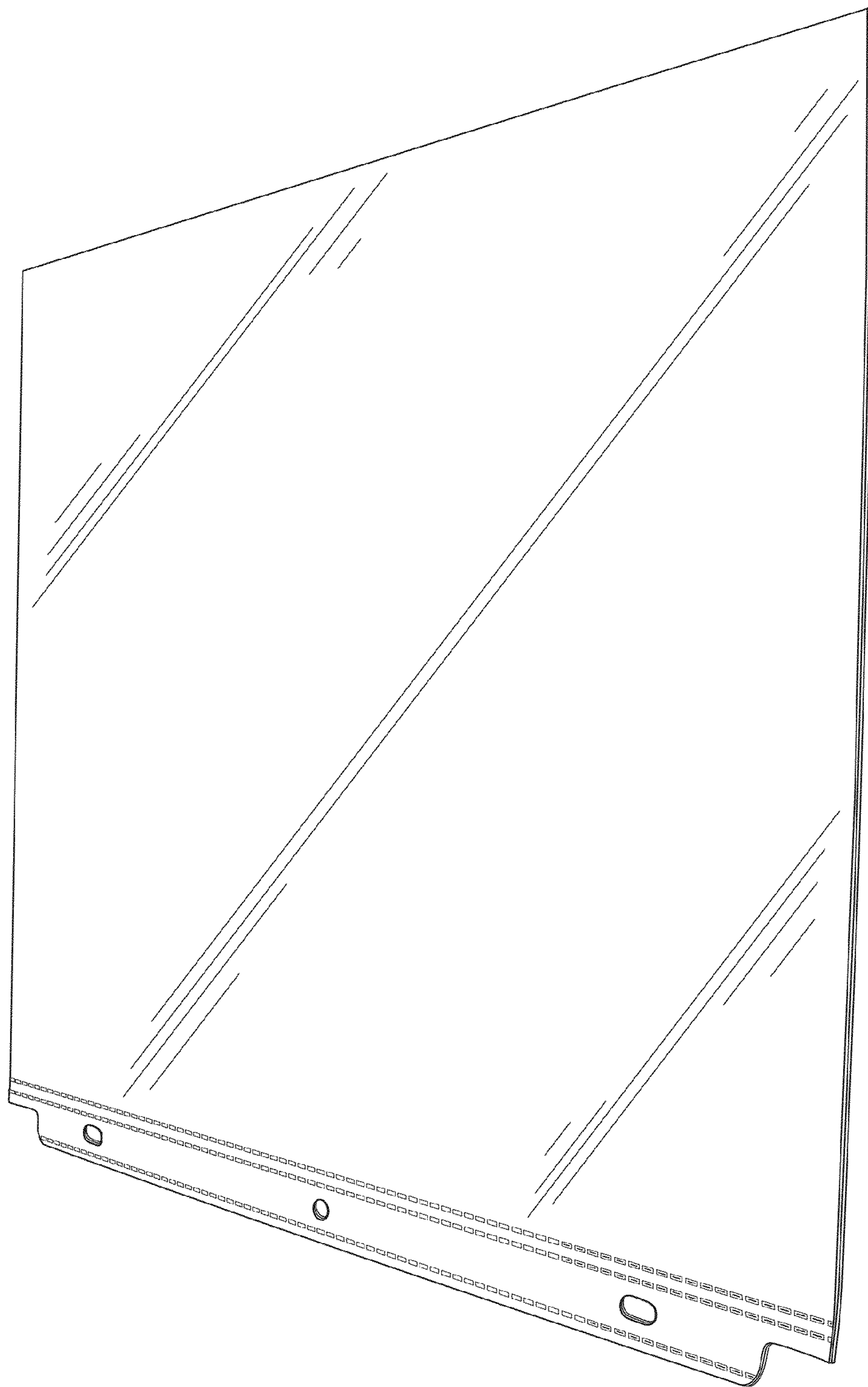


FIG. 1



FIG. 3

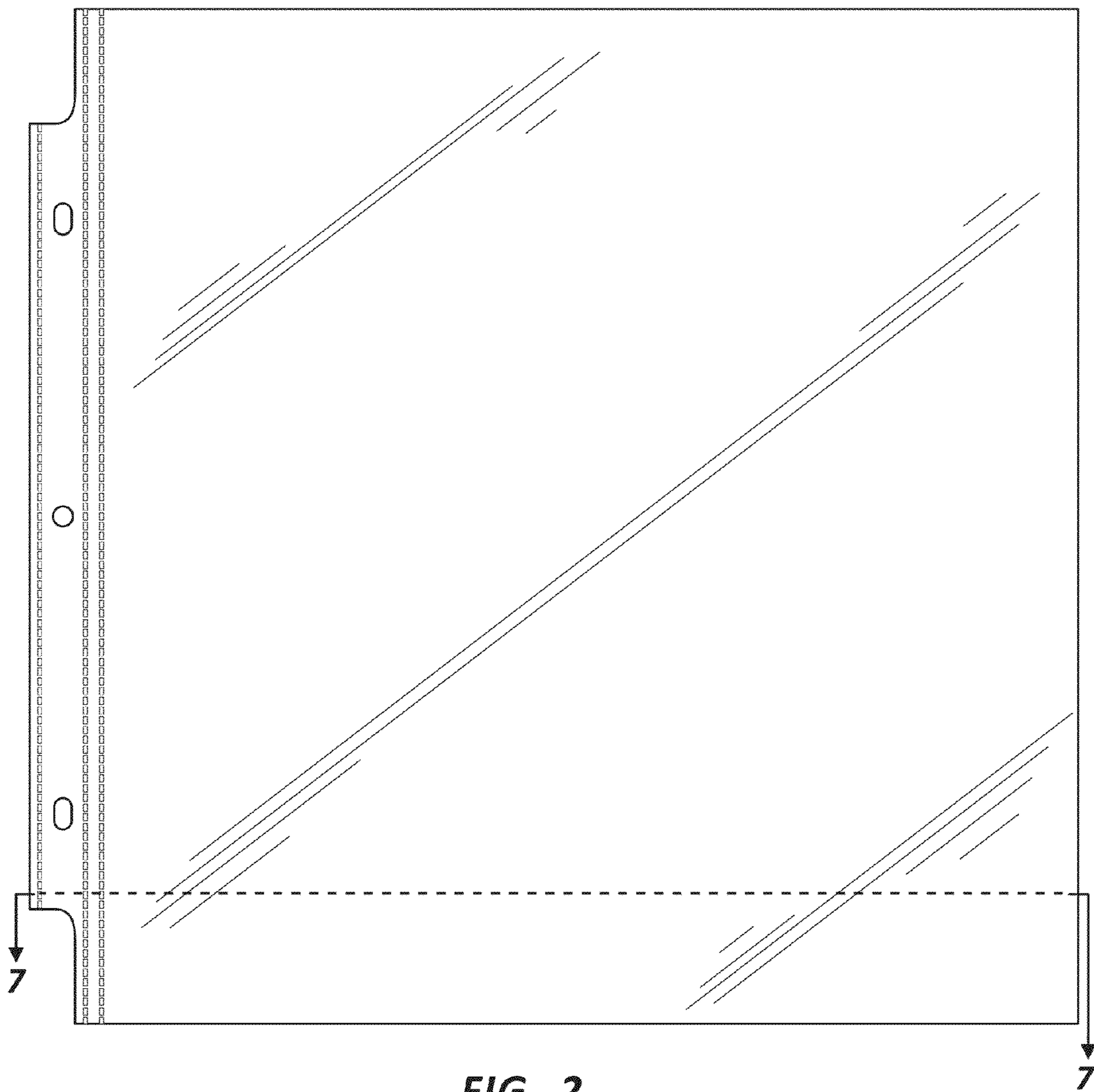


FIG. 2

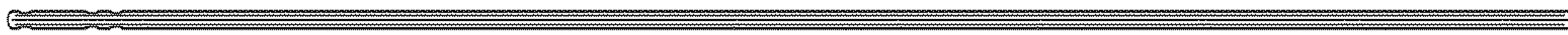


FIG. 4



FIG. 5



FIG. 6

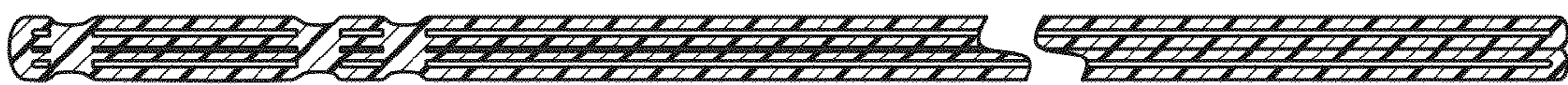


FIG. 7

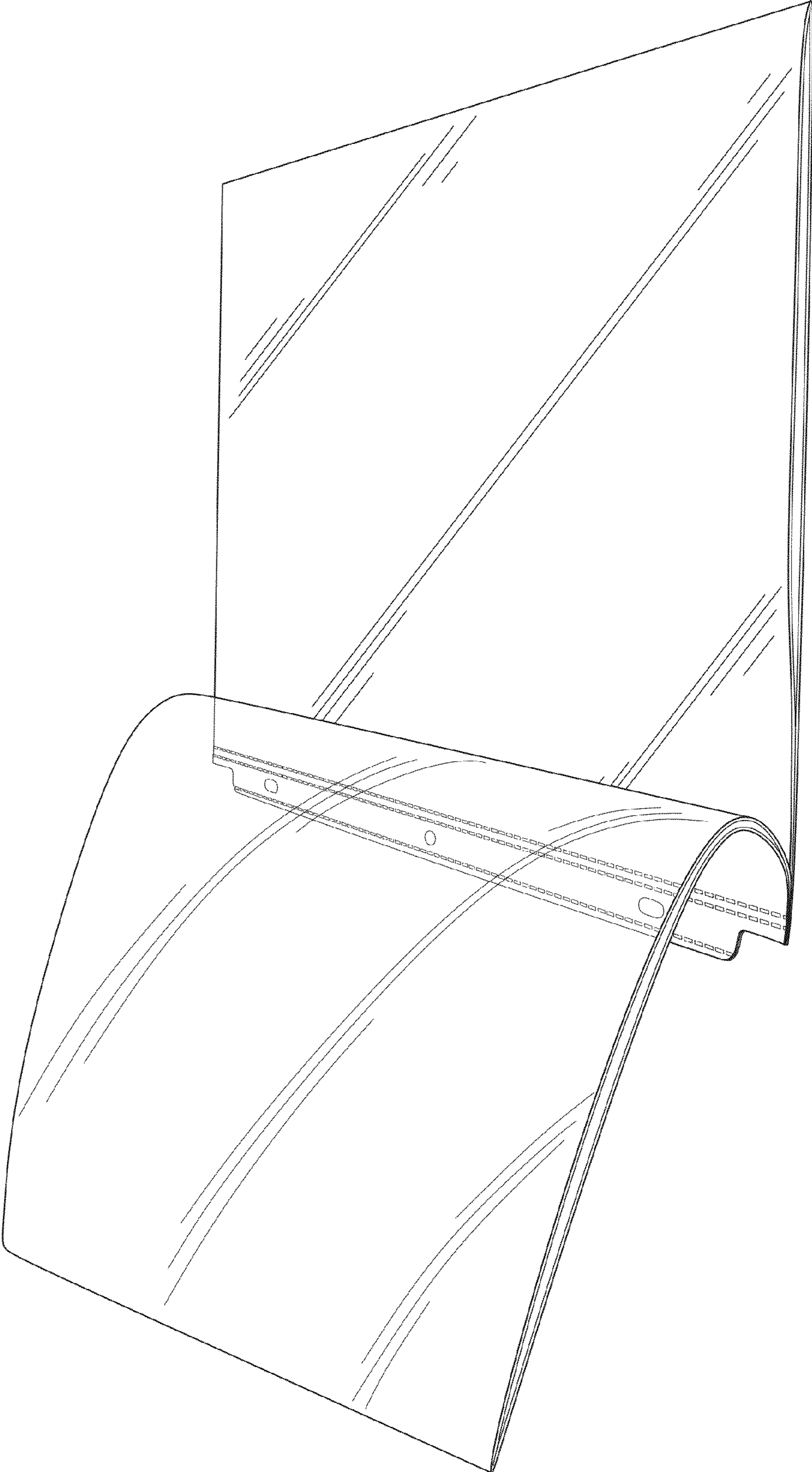


FIG. 8