

US00D724657S

(12) **United States Design Patent**  
**Shimizu**

(10) **Patent No.:** **US D724,657 S**  
(45) **Date of Patent:** **\*\* Mar. 17, 2015**

- (54) **DETECTED PART FOR A TONER CARTRIDGE**
- (71) Applicant: **Brother Industries, Ltd.**, Nagoya-shi, Aichi-ken (JP)
- (72) Inventor: **Keita Shimizu**, Tsushima (JP)
- (73) Assignee: **Brother Industries, Ltd.**, Nagoya (JP)
- (\*\*) Term: **14 Years**
- (21) Appl. No.: **29/494,811**
- (22) Filed: **Jun. 24, 2014**

- (30) **Foreign Application Priority Data**
- Dec. 26, 2013 (JP) ..... 2013-30487
- (51) **LOC (10) Cl.** ..... **16-03**
- (52) **U.S. Cl.**
- USPC ..... **D18/43**
- (58) **Field of Classification Search**
- CPC ..... G03G 15/0881; G03G 15/0886; G03G 15/0877; G03G 15/0898
- USPC ..... D18/12, 36, 40, 43, 44, 50, 56; D14/471; 347/49, 50, 197, 222; 399/11, 106, 110 COR, 120, 230, 399/258 COR, 262
- See application file for complete search history.

- (56) **References Cited**
- U.S. PATENT DOCUMENTS**
- D606,583 S \* 12/2009 Kurenuma et al. .... D18/43
- 7,729,644 B2 \* 6/2010 Thornton et al. .... 399/262

- D636,813 S \* 4/2011 Kikuchi et al. .... D18/43
- 7,941,072 B2 \* 5/2011 Ishikawa et al. .... 399/107
- D648,781 S \* 11/2011 Sakai et al. .... D18/43
- D652,074 S \* 1/2012 Sakai et al. .... D18/43
- D712,455 S \* 9/2014 Koshimori et al. .... D18/43
- D712,459 S \* 9/2014 Koshimori et al. .... D18/43
- D712,462 S \* 9/2014 Koshimori et al. .... D18/43
- 2003/0223782 A1 \* 12/2003 Ban et al. .... 399/227

**FOREIGN PATENT DOCUMENTS**

- CN 201030141585.1 3/2010
- CN 201230069218.4 3/2012
- CN 201330088267.7 3/2013

\* cited by examiner

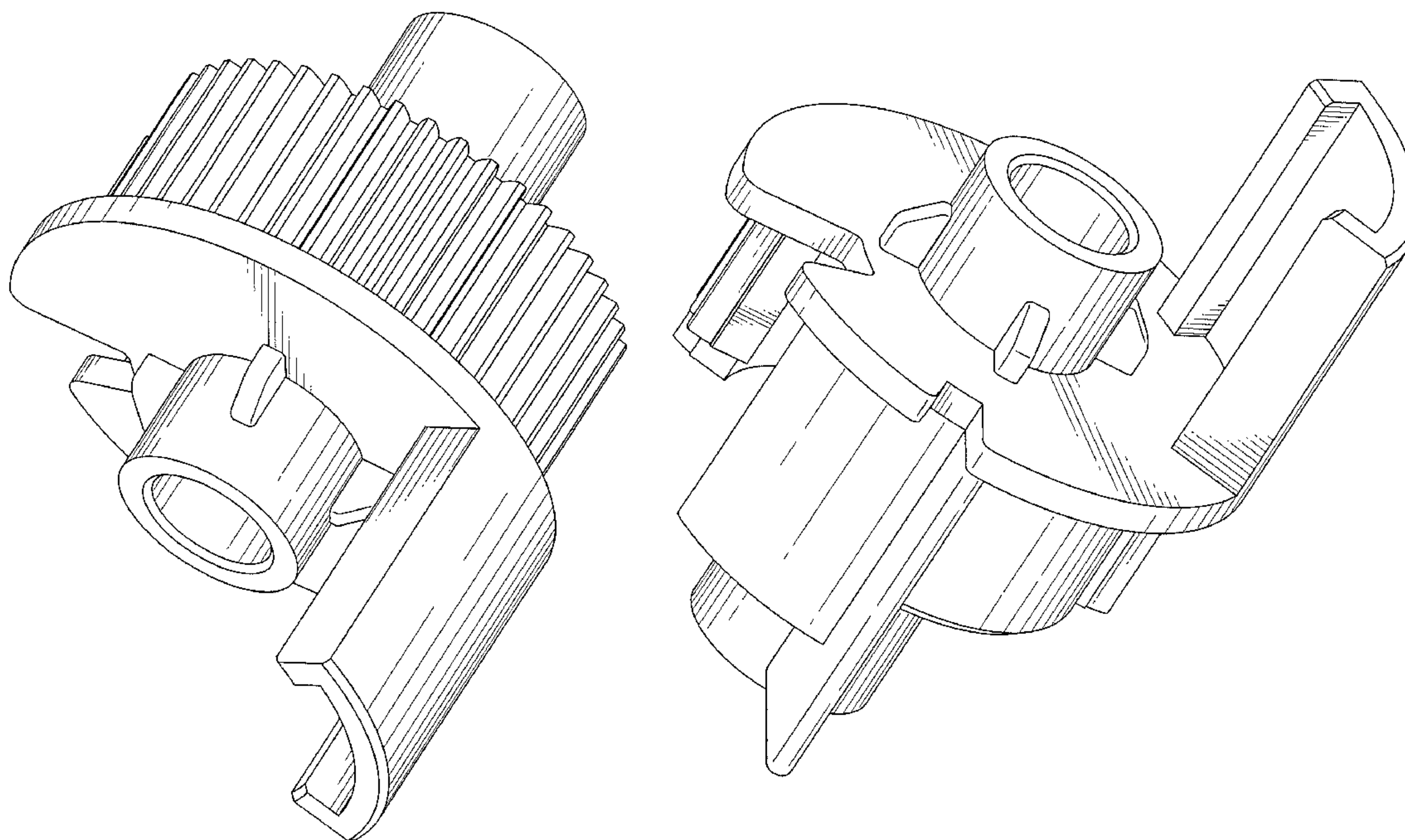
*Primary Examiner* — Eric Goodman  
*Assistant Examiner* — Amy Wierenga  
(74) *Attorney, Agent, or Firm* — Oliff PLC

- (57) **CLAIM**
- The ornamental design for a detected part for a toner cartridge, as shown and described.

**DESCRIPTION**

FIG. 1 is a front, top perspective view of a detected part for a toner cartridge;  
FIG. 2 is a front view thereof;  
FIG. 3 is a top view thereof;  
FIG. 4 is a right-side view thereof;  
FIG. 5 is a left-side view thereof;  
FIG. 6 is a rear view thereof;  
FIG. 7 is a bottom view thereof;  
FIG. 8 is a front, bottom perspective view thereof; and,  
FIG. 9 is a rear, bottom perspective view thereof.

**1 Claim, 8 Drawing Sheets**



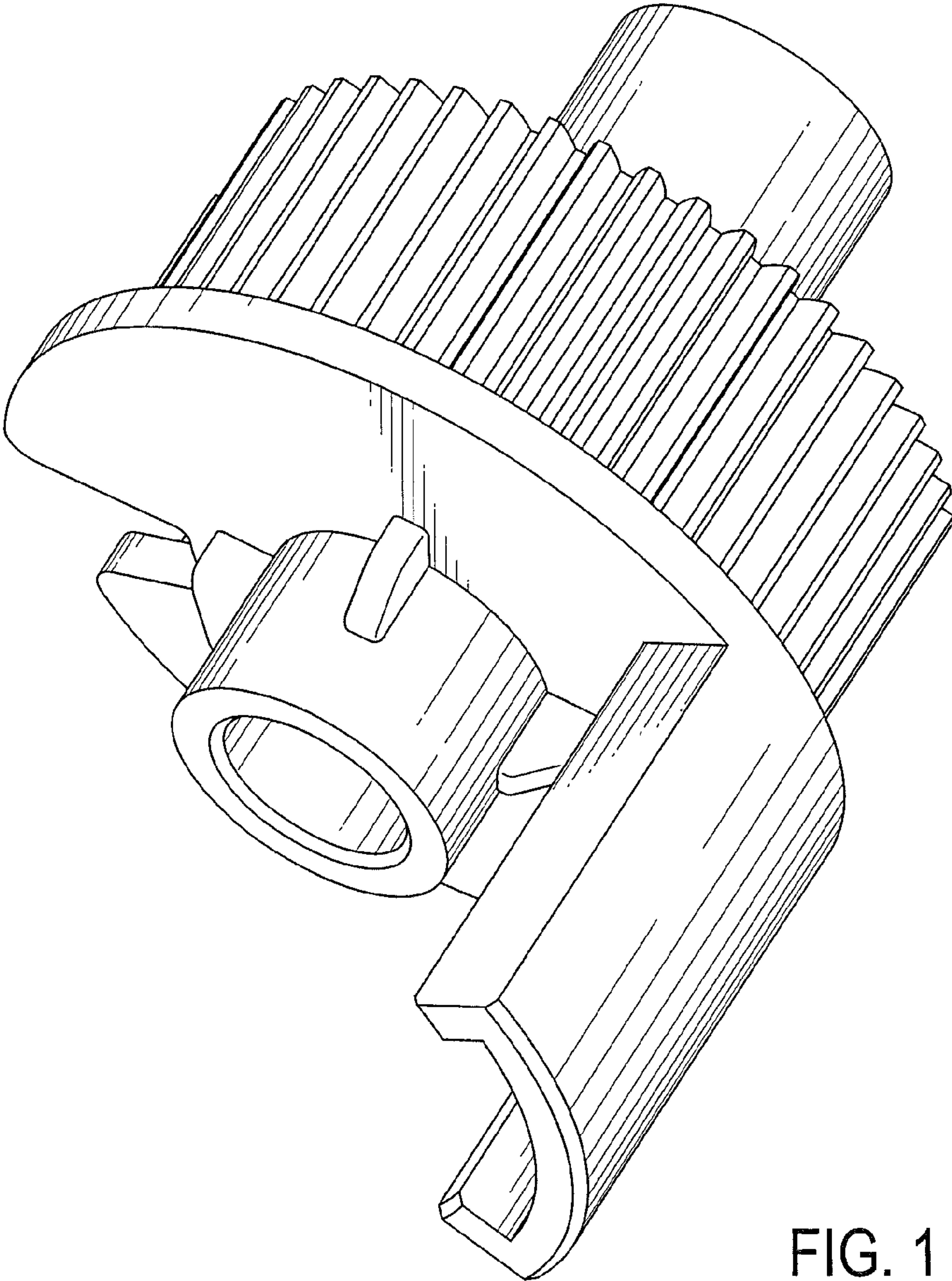


FIG. 1

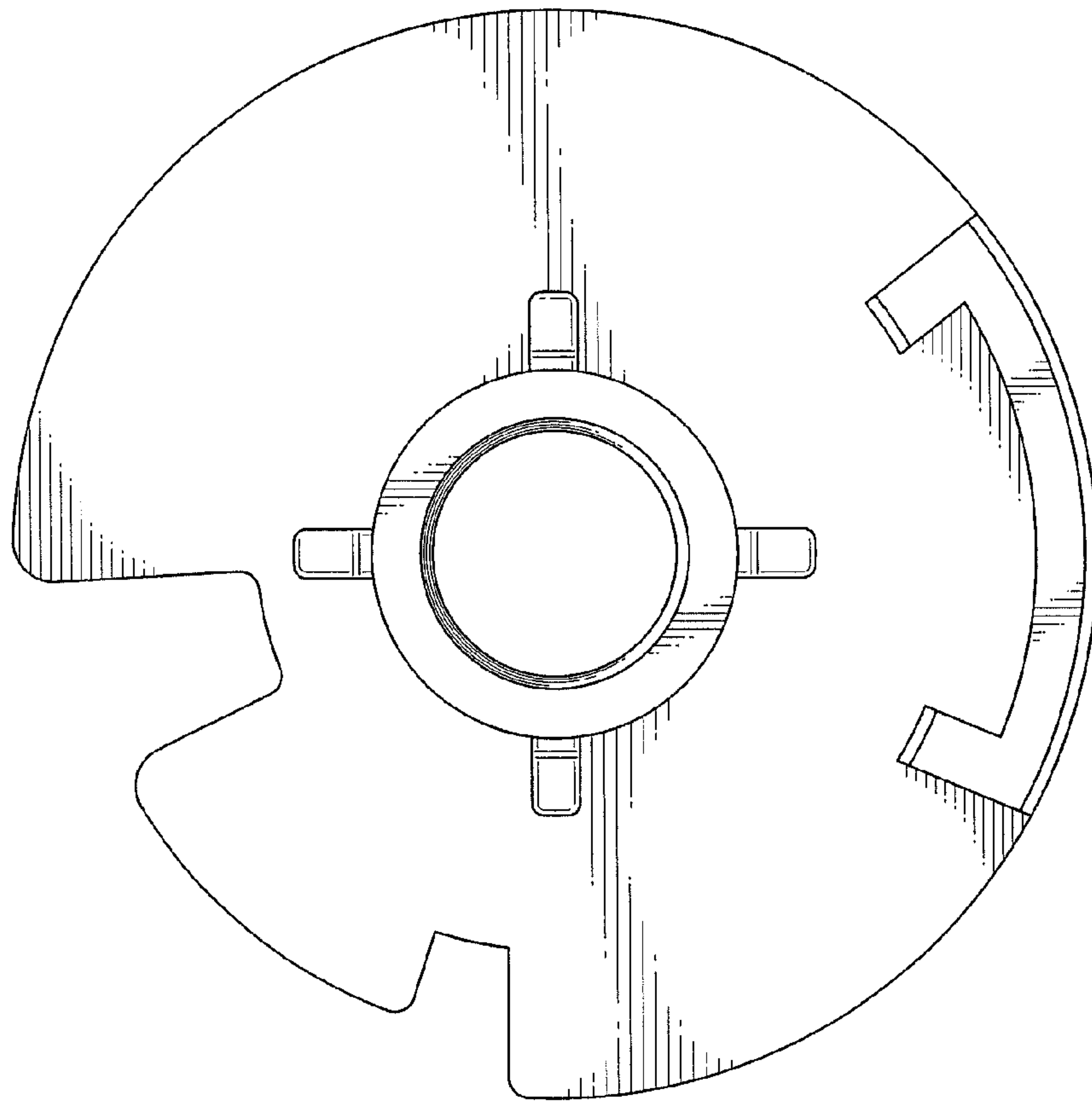


FIG. 2

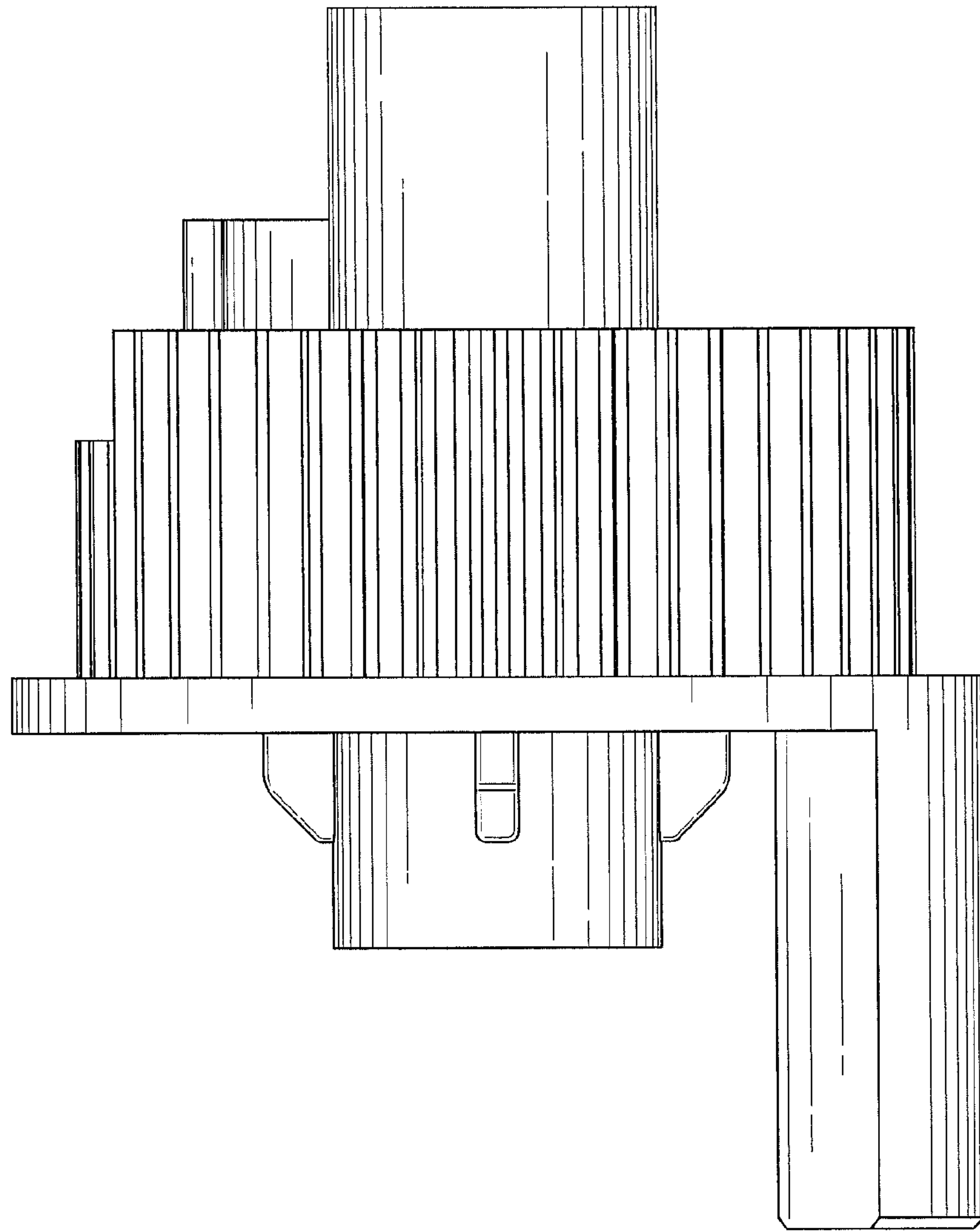


FIG. 3



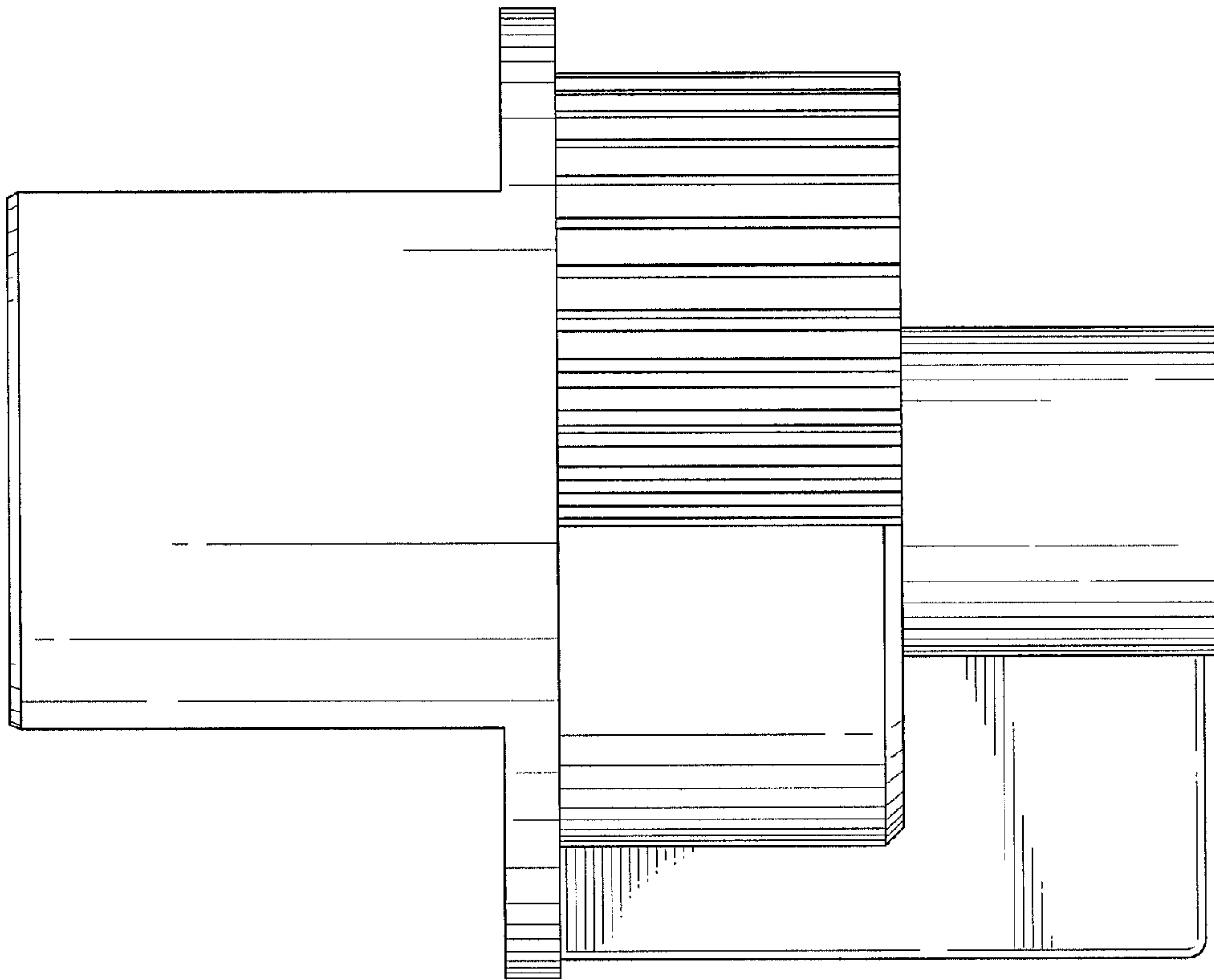


FIG. 4

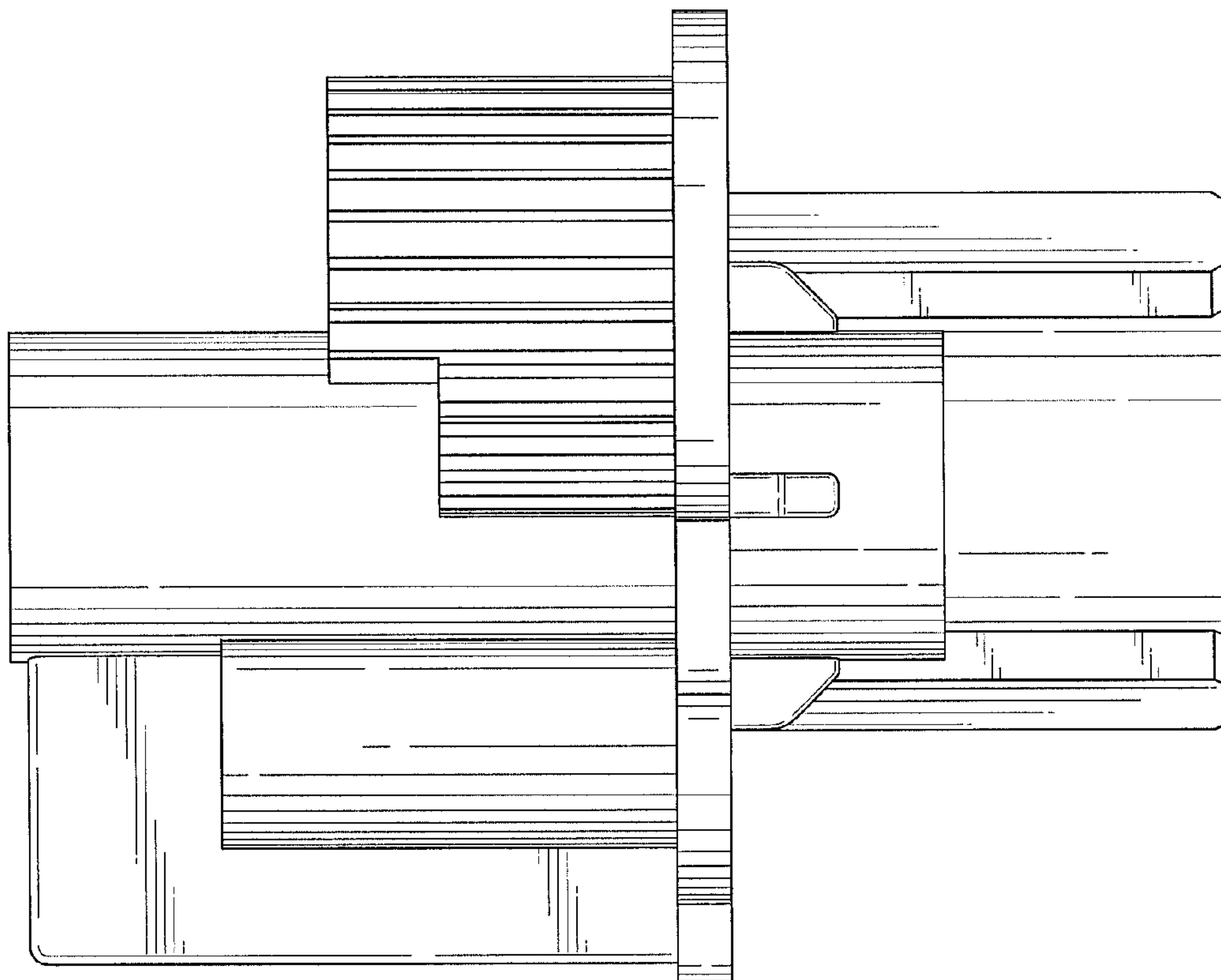


FIG. 5

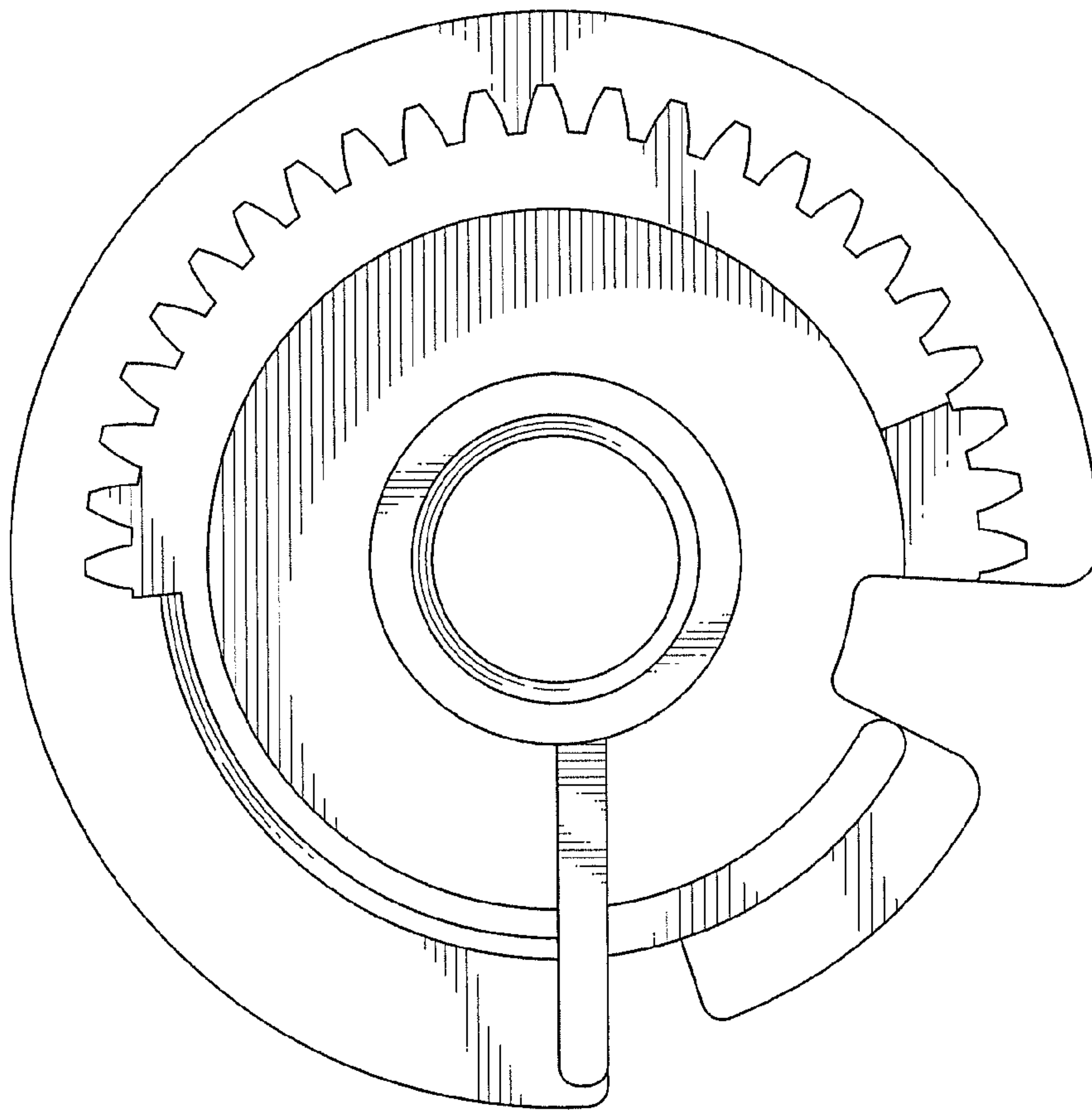


FIG. 6

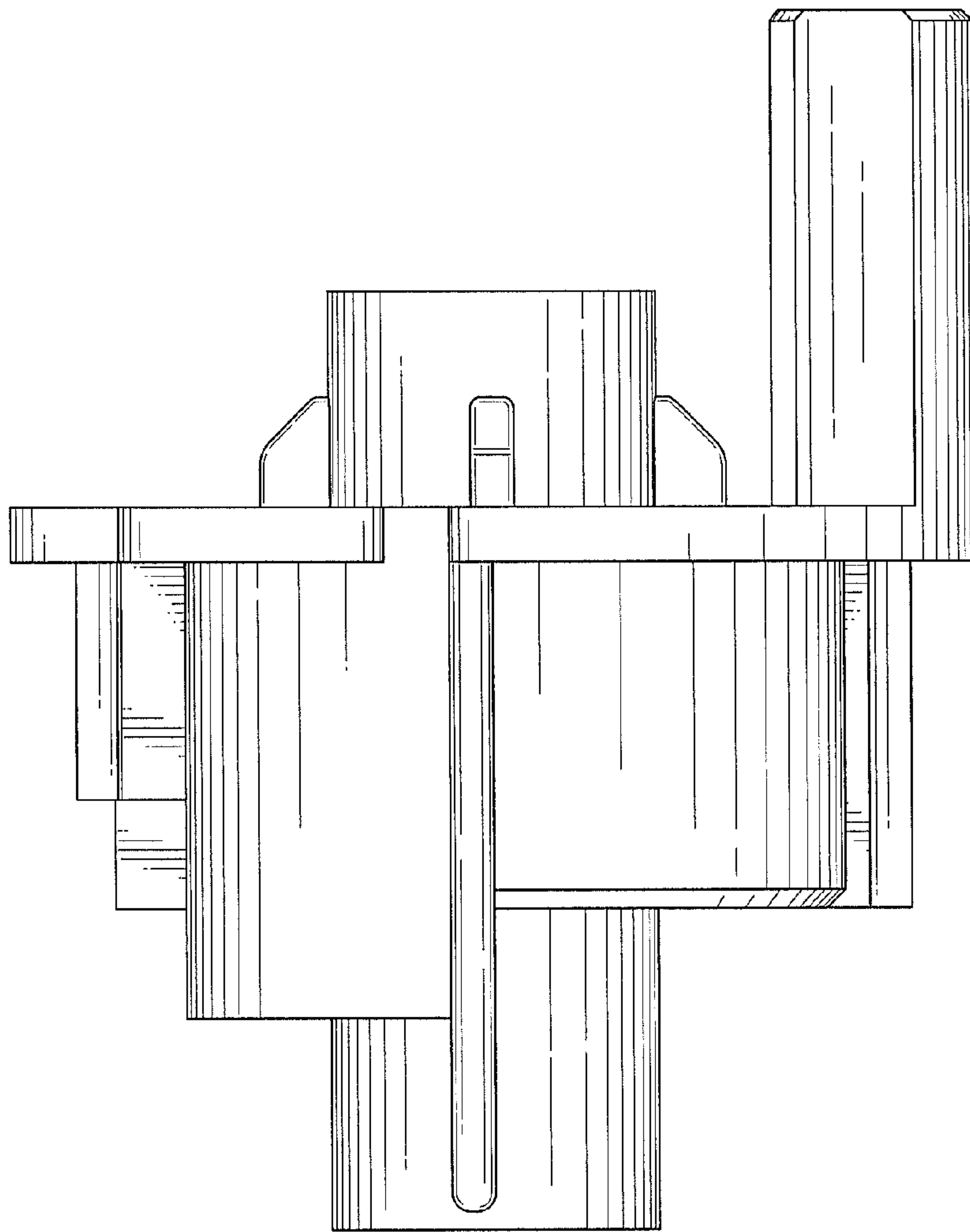


FIG. 7



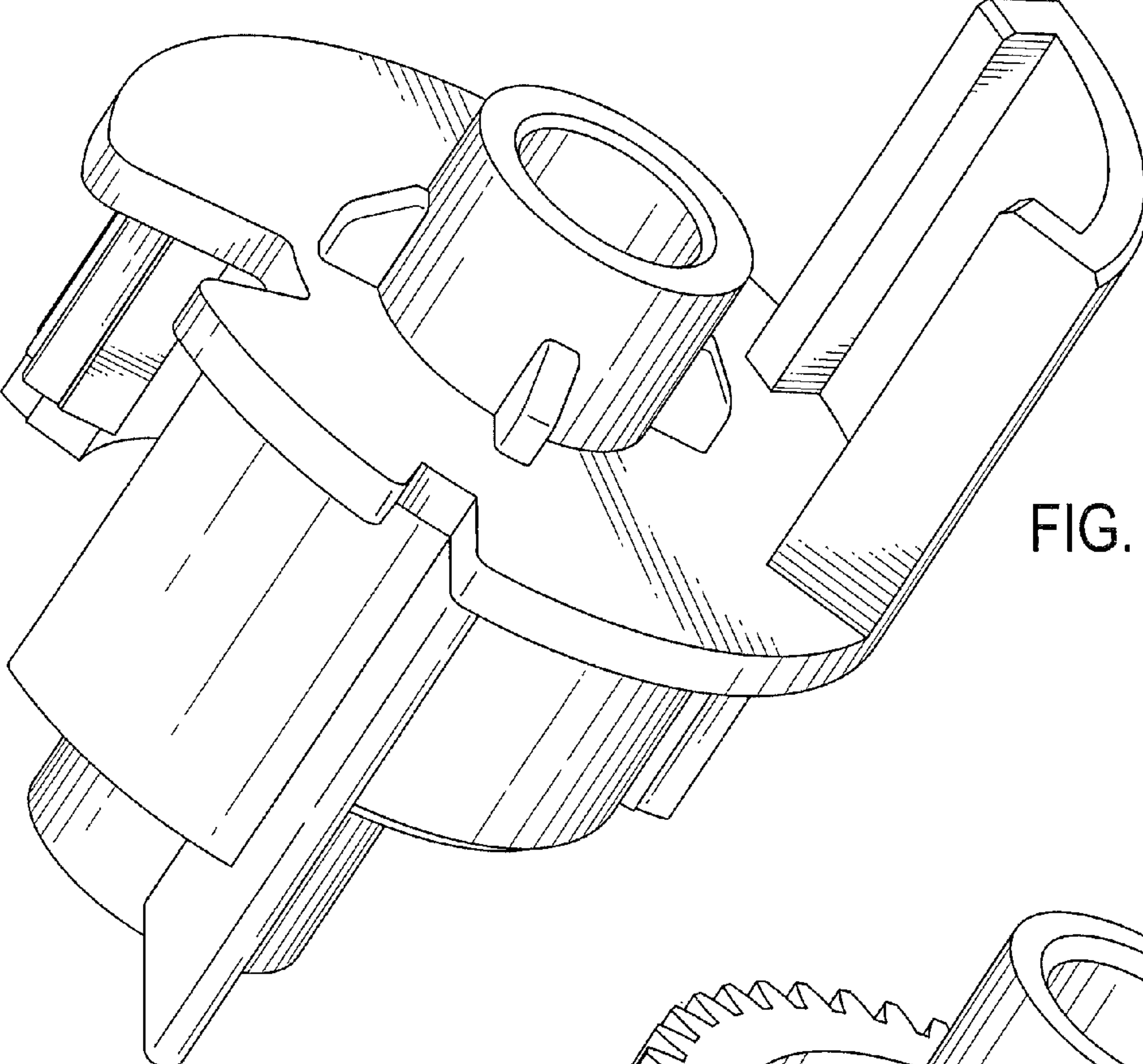


FIG. 8

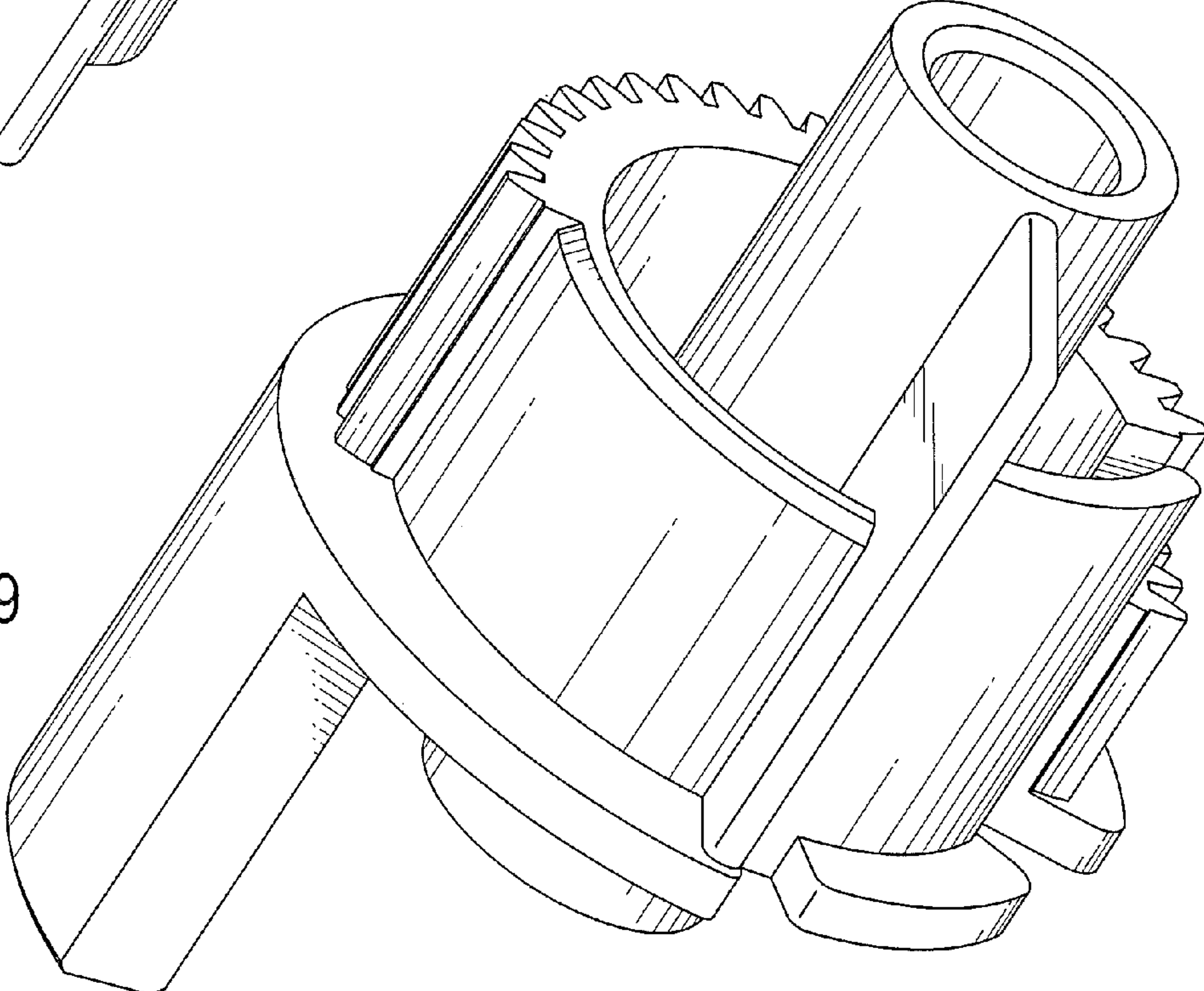


FIG. 9